

SYMBOLS		
	ELEVATION NAME	
	DETAIL NAME	
	ELEVATION CALLOUT	
	SECTION CALLOUT	
	REVISED ITEM	
	REVISION NUMBER	

INFORMATION AVAILABLE TO PREPARE DRAWINGS

PER ARCHITECTURAL DRAWINGS DATED - 12/04/2019

NOTES TO GENERAL CONTRACTOR

PLEASE CONFIRM THAT THE SURROUNDING CONDITIONS OUTLINED IN THESE DRAWINGS ARE ACCURATE TO THE TRUE FIELD CONDITIONS, AND THAT ALL ROUGH OPENINGS SHOWN ARE ACCURATE TO FIELD CONDITIONS AND SIZES.

NOTES TO ARCHITECT

DOOR SCHEDULE				
DOOR #	DOOR WIDTH	DOOR HEIGHT	ACTIVE LEAF	TYPE
101A	6'-0"	7'-0"	OUTSWING	PAIR
101B	6'-0"	7'-0"	OUTSWING	PAIR
101C	6'-0"	7'-0"	OUTSWING	PAIR
101D	6'-0"	7'-0"	OUTSWING	PAIR
119A	6'-0"	7'-0"	OUTSWING	PAIR
119B	6'-0"	7'-0"	OUTSWING	PAIR
119C	6'-0"	7'-0"	OUTSWING	PAIR
119D	6'-0"	7'-0"	OUTSWING	PAIR
120A	6'-0"	7'-0"	OUTSWING	PAIR
120B	6'-0"	7'-0"	OUTSWING	PAIR
131A	6'-0"	7'-0"	OUTSWING	PAIR
131B	6'-0"	7'-0"	OUTSWING	PAIR

TGGC TO PREP AND INSTALL STOREFRONT DOOR HARDWARE  
HARDWARE TO BE PROVIDED BY OTHERS.

SHEET LIST		
SHEET	DESCRIPTION	
100	COVER SHEET	
200	FLOOR PLAN	
201	FLOOR PLAN	
202	BUILDING ELEVATIONS	
203	BUILDING ELEVATIONS	
204	FRAME ELEVATIONS	
205	FRAME ELEVATIONS	
206	FRAME ELEVATIONS	
207	FRAME ELEVATIONS	
400	DETAILS	
401	DETAILS	
402	DETAILS	
403	DETAILS	
404	DETAILS	
405	DETAILS	
406	DETAILS	
407	DETAILS	

NO.	REVISION/ISSUED	DATE
1	1ST SUBMITTAL	01/06/2020
3	PER COMMENTS	02/05/2020

PROJECT NAME & LOCATION:  
PRESTONWOOD NORTH CAMPUS  
PHASE 3 EXPANSION  
1001 WEST PROSPER TRAIL  
DALLAS, TX 75078

SHEET TITLE:  
**COVER SHEET**

PROJECT TITLE:  
PRESTONWOOD NORTH CAMPUS  
PHASE 3 EXPANSION

PROJECT ADDRESS:  
1001 WEST PROSPER TRAIL  
DALLAS, TX 75078

GLASS SCHEDULE			
MARK	DESCRIPTION	GLAZING DESCRIPTION AND MAKEUP	NOTES
IG	DESCRIPTION	1" INSULATED UNIT:	
	OUTBOARD:	1/4" SOLARGRAY, SOLARBAN 90 LOW-E ON #2 SURFACE, TEMPERED	
	AIRSPACE:	1/2" AIR SPACER	
	INBOARD:	1/4" ACUITY, TEMPERED	
CTG	DESCRIPTION	1/4" CLEAR, TEMPERED	
MIR	DESCRIPTION	1/4" CLEAR ANNEALED MIRROR GLASS	

MATERIAL SCHEDULE					
PRODUCT TYPE	MANUFACTURER	SYSTEM	PROFILE DIMENSIONS	DESCRIPTION	FINISH
CURTAINWALL	TUBELITE	400T	2-1/2" X 6-1/4"	CAPTURED, OUTSIDE GLAZED, SHEAR BLOCK	CLASS 1 CLEAR ANODIZED FINISH
EXTERIOR STOREFRONT	TUBELITE	T14000	2" X 4-1/2"	THERMAL, CENTER SET, OUTSIDE GLAZED, SCREW SPLINE	CLASS 1 CLEAR ANODIZED FINISH
INTERIOR STOREFRONT	TUBELITE	E4500	1-3/4" X 4-1/2"	NON-THERMAL, CENTER SET, OUTSIDE GLAZED, SCREW SPLINE	CLASS 1 CLEAR ANODIZED FINISH
STOREFRONT DOORS	TUBELITE	MEDIUM STILE	1-3/4" DEEP	10" BOTTOM RAIL	CLASS 1 CLEAR ANODIZED FINISH

MASTERSEAL NP1 CAULKING AT THE EXTERIOR PERIMETER OF THE ALUMINUM FRAMES  
MIRRORS ATTACHED WITH J-MOLDING & MASTIC ADHESIVE

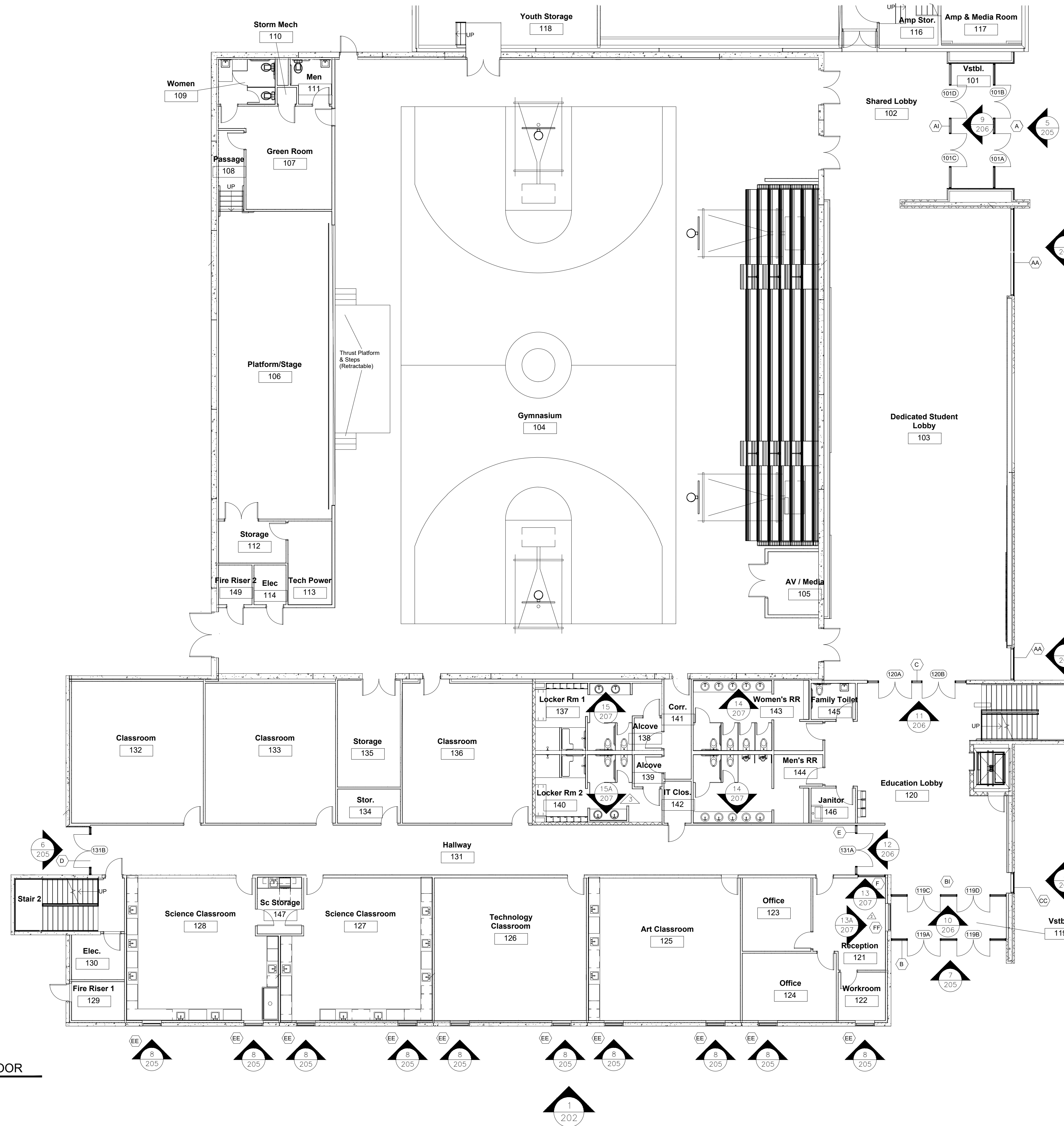
DRAWN BY:  
KS DRAFTING & DESIGN, LLC  
KYLE SCHNECK  
HARRISBURG, PA 17110  
KYLE@KSDRAFTINGDESIGNLLC.COM  
717-228-7114  
KSDRAFTINGDESIGNLLC.COM

DRAWN BY:  
**BRIAN GANOE**

CHECKED BY:  
**KYLE SCHNECK**

DATE:  
**01/06/2020**

SHEET:  
**100**



NO.	REVISION/ISSUED	DATE
1	1ST SUBMITTAL	01/06/2020
2	PER ASI #7 AND RFI #27	01/15/2020
3	PER COMMENTS	02/05/2020

PROJECT NAME & LOCATION:  
 PRESTONWOOD NORTH CAMPUS  
 PHASE 3 EXPANSION  
 1001 WEST PROSPER TRAIL  
 DALLAS, TX 75078

SHEET TITLE:  
**FLOORPLAN - 1ST FLOOR**

DRAWN BY:  
 KS DRAFTING & DESIGN, LLC  
 KYLE SCHNECK  
 HARRISBURG, PA 17110  
 KYLE@KSDRAFTINGDESIGNLLC.COM  
 717-228-7114  
 KSDRAFTINGDESIGNLLC.COM

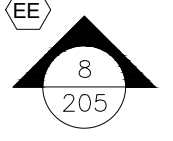
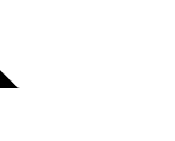
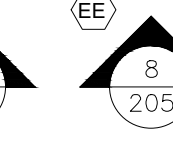
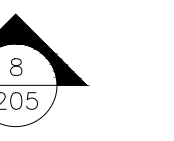
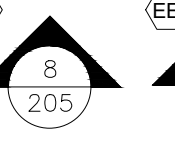
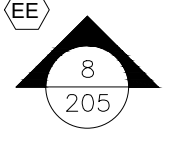
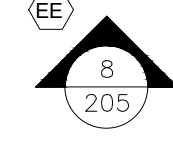
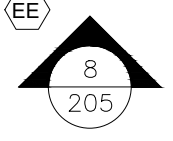
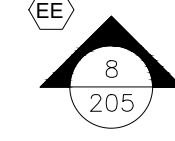
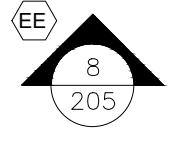
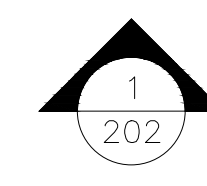
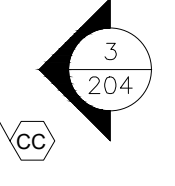
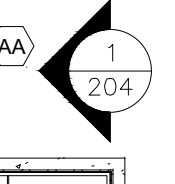
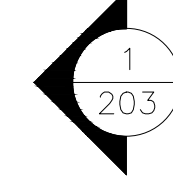
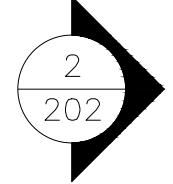
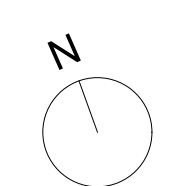
DRAWN BY:  
 BRIAN GANOE

CHECKED BY:  
 KYLE SCHNECK

DATE:  
 02/05/2020

SHEET:  
**200**

**1 FLOORPLAN - 1ST FLOOR**  
 ARCH. REF.: 1/A5.10



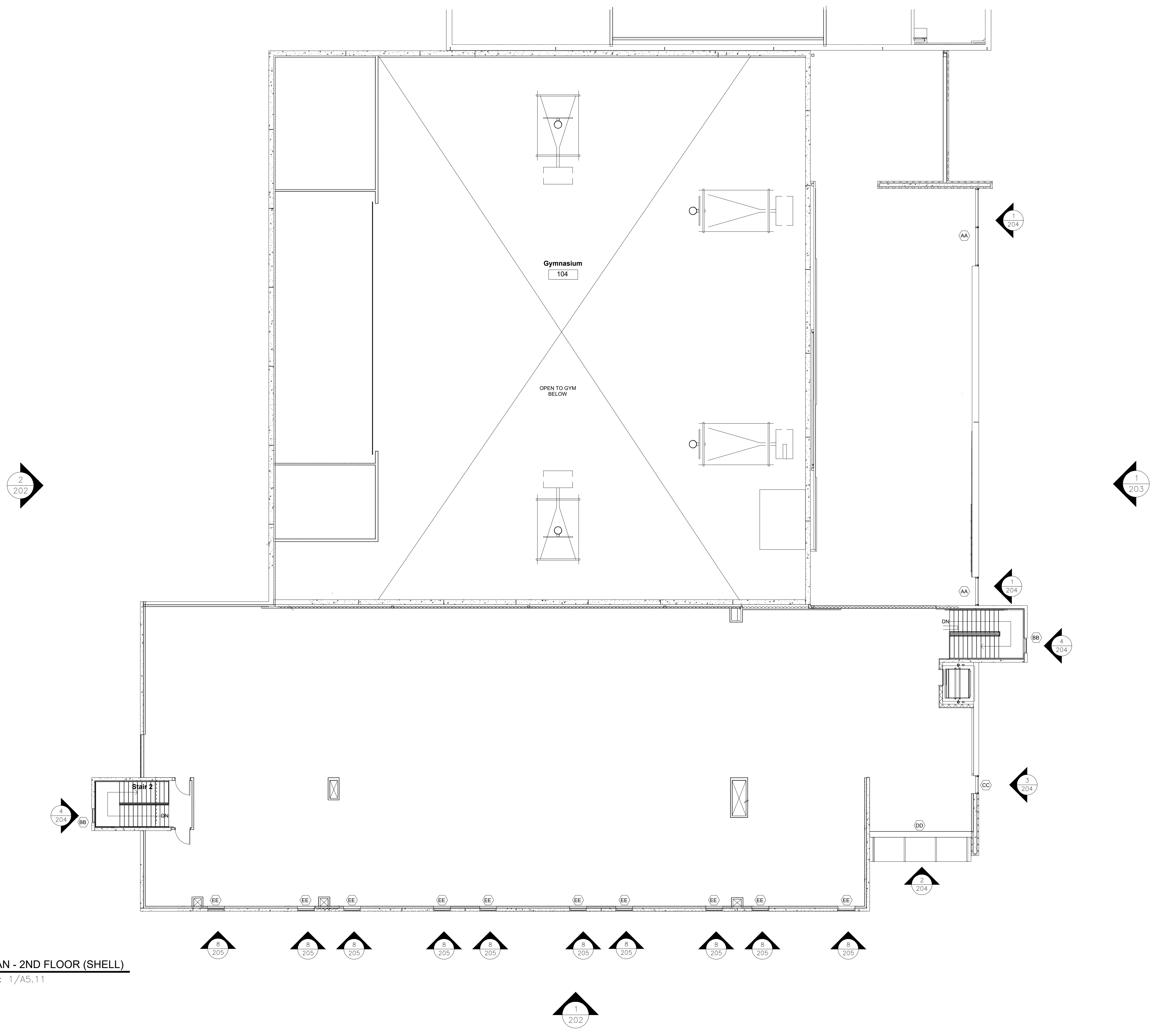
NO.	REVISION/ISSUED	DATE
1	1ST SUBMITTAL	01/06/2020

PROJECT NAME & LOCATION:  
 PRESTONWOOD NORTH CAMPUS  
 PHASE 3 EXPANSION  
 1001 WEST PROSPER TRAIL  
 DALLAS, TX 75078

SHEET TITLE:  
**FLOORPLAN - 2ND FLOOR  
 (SHELL)**

DRAWN BY:  
 KS DRAFTING & DESIGN, LLC  
 KYLE SCHNECK  
 HARRISBURG, PA 17110  
 KYLE@KSDRAFTINGDESIGNLLC.COM  
 717-228-7114  
 KSDRAFTINGDESIGNLLC.COM

DRAWN BY: **BRIAN GANOE** SHEET:  
 CHECKED BY: **KYLE SCHNECK** **201**  
 DATE: **01/06/2020**



**1 FLOORPLAN - 2ND FLOOR (SHELL)**  
 ARCH. REF.: 1/A5.11

NO.	REVISION/ISSUED	DATE
1	1ST SUBMITTAL	01/06/2020

PROJECT NAME & LOCATION:  
 PRESTONWOOD NORTH CAMPUS  
 PHASE 3 EXPANSION  
 1001 WEST PROSPER TRAIL  
 DALLAS, TX 75078

SHEET TITLE:  
**BUILDING ELEVATIONS**

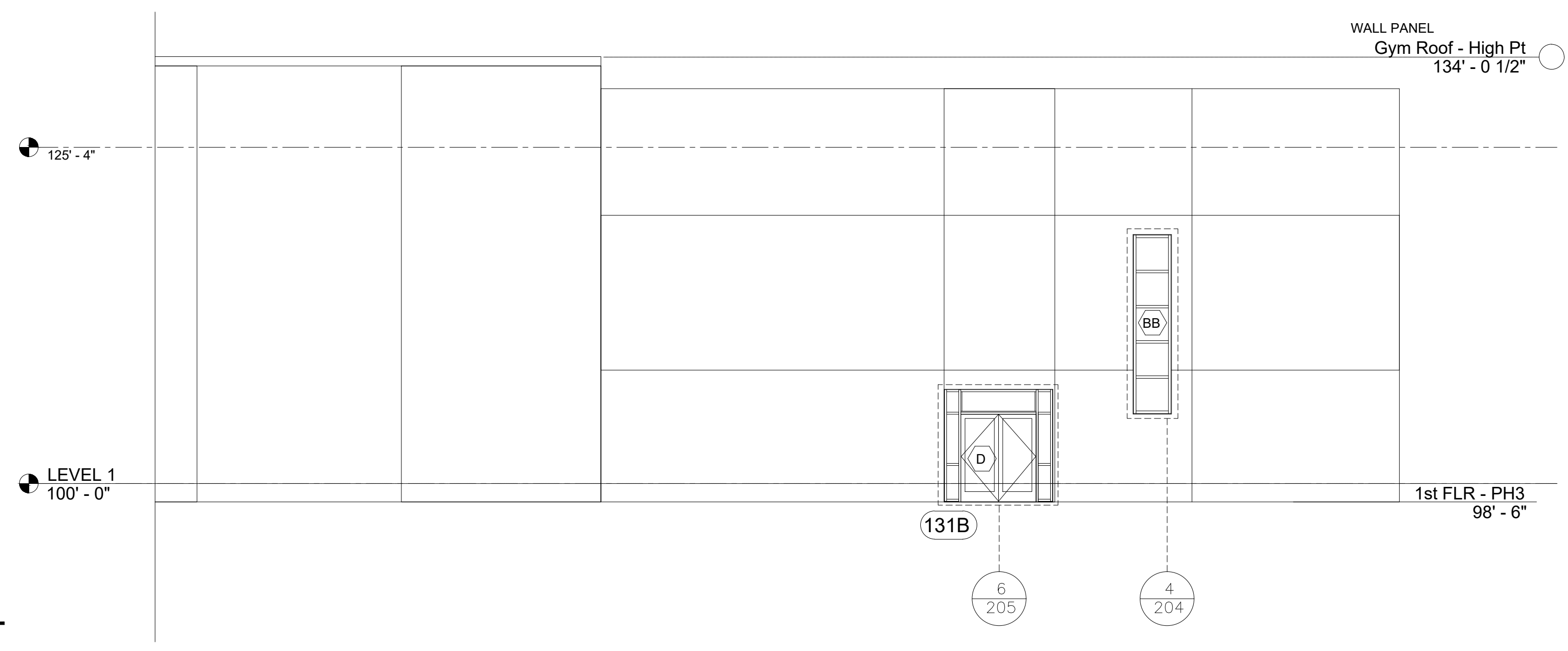
DRAWN BY:  
 KS DRAFTING & DESIGN, LLC  
 KYLE SCHNECK  
 HARRISBURG, PA 17110  
 KYLE@KSDRAFTINGDESIGNLLC.COM  
 717-228-7114  
 KSDRAFTINGDESIGNLLC.COM

DRAWN BY:  
**BRIAN GANOE**

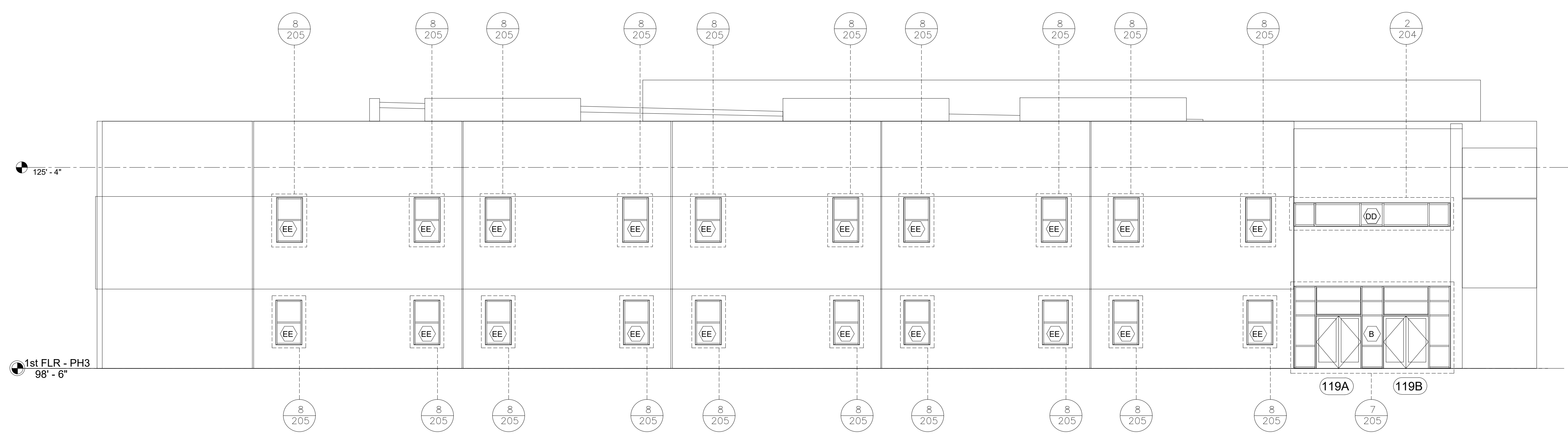
CHECKED BY:  
**KYLE SCHNECK**

DATE:  
**01/06/2020**

SHEET:  
**202**



**2 BUILDING ELEVATION - WEST**  
 ARCH. REF.: 3/A6.10

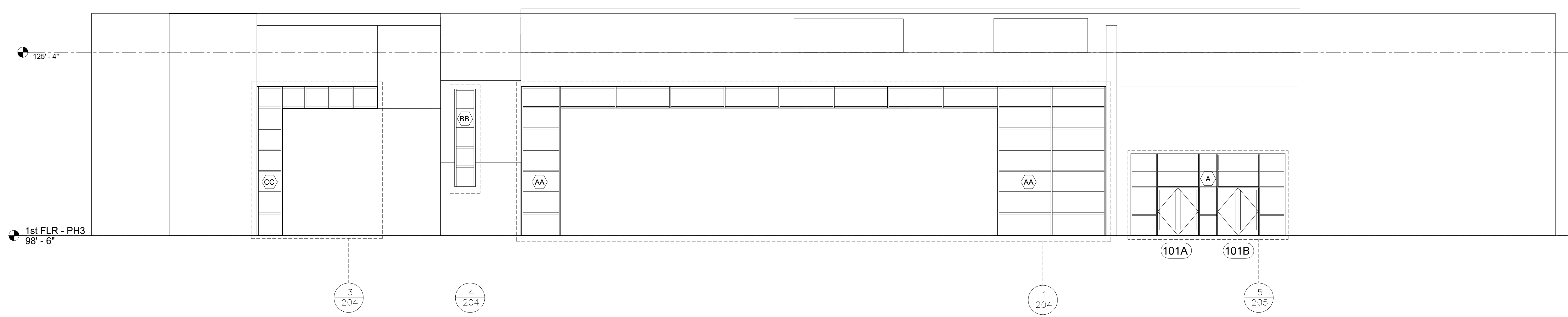


**1 BUILDING ELEVATION - SOUTH**  
 ARCH. REF.: 2/A6.10

NO.	REVISION/ISSUED	DATE
1	1ST SUBMITTAL	01/06/2020

PROJECT NAME & LOCATION:  
 PRESTONWOOD NORTH CAMPUS  
 PHASE 3 EXPANSION  
 1001 WEST PROSPER TRAIL  
 DALLAS, TX 75078

SHEET TITLE:  
**BUILDING ELEVATIONS**

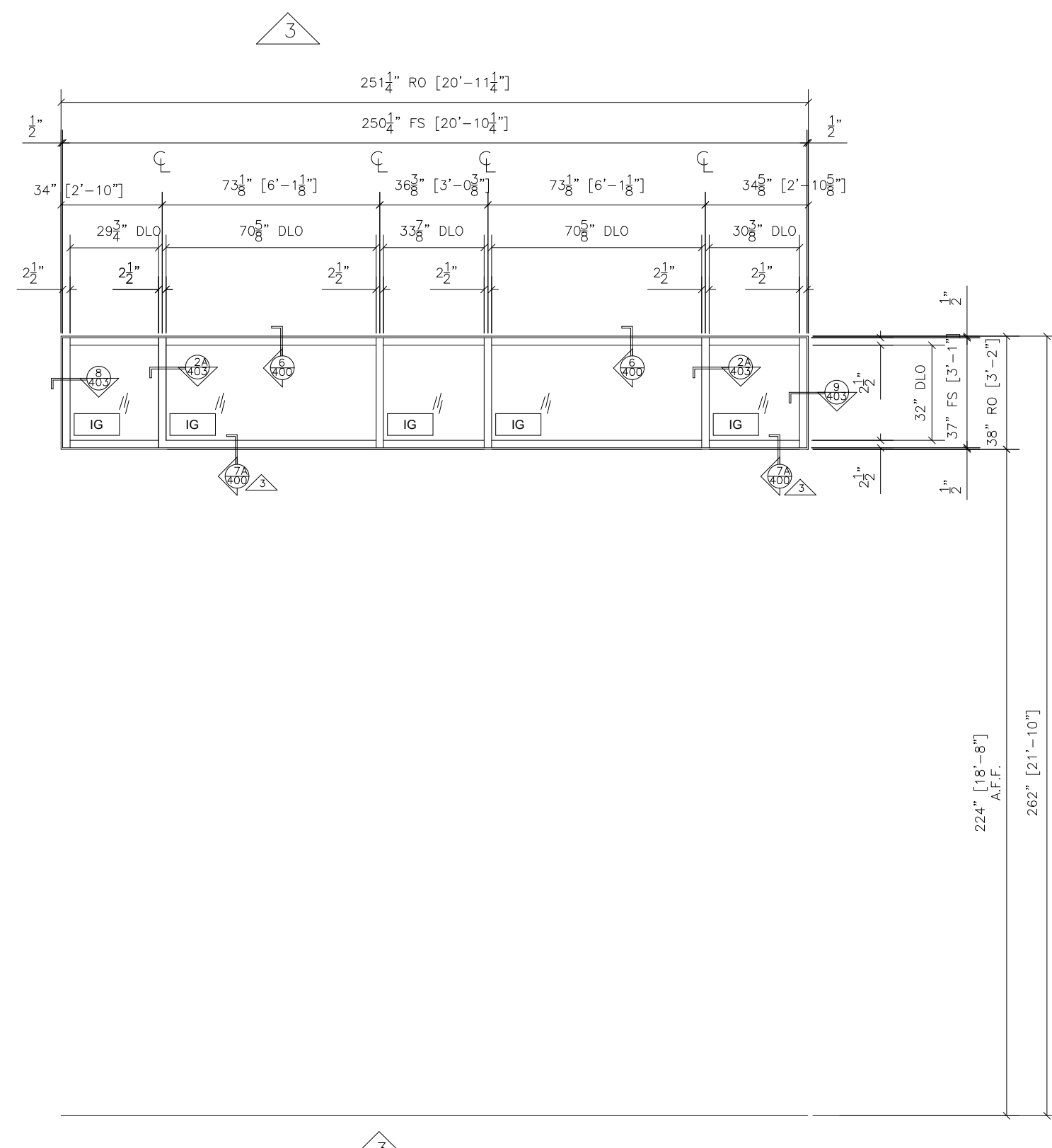


**1** BUILDING ELEVATION - EAST  
 ARCH. REF.: 1/A6.10

DRAWN BY:  
 KS DRAFTING & DESIGN, LLC  
 KYLE SCHNECK  
 HARRISBURG, PA 17110  
 KYLE@KSDRAFTINGDESIGNLLC.COM  
 717-228-7114  
 KSDRAFTINGDESIGNLLC.COM

DRAWN BY: BRIAN GANOE  
 CHECKED BY: KYLE SCHNECK  
 DATE: 01/06/2020

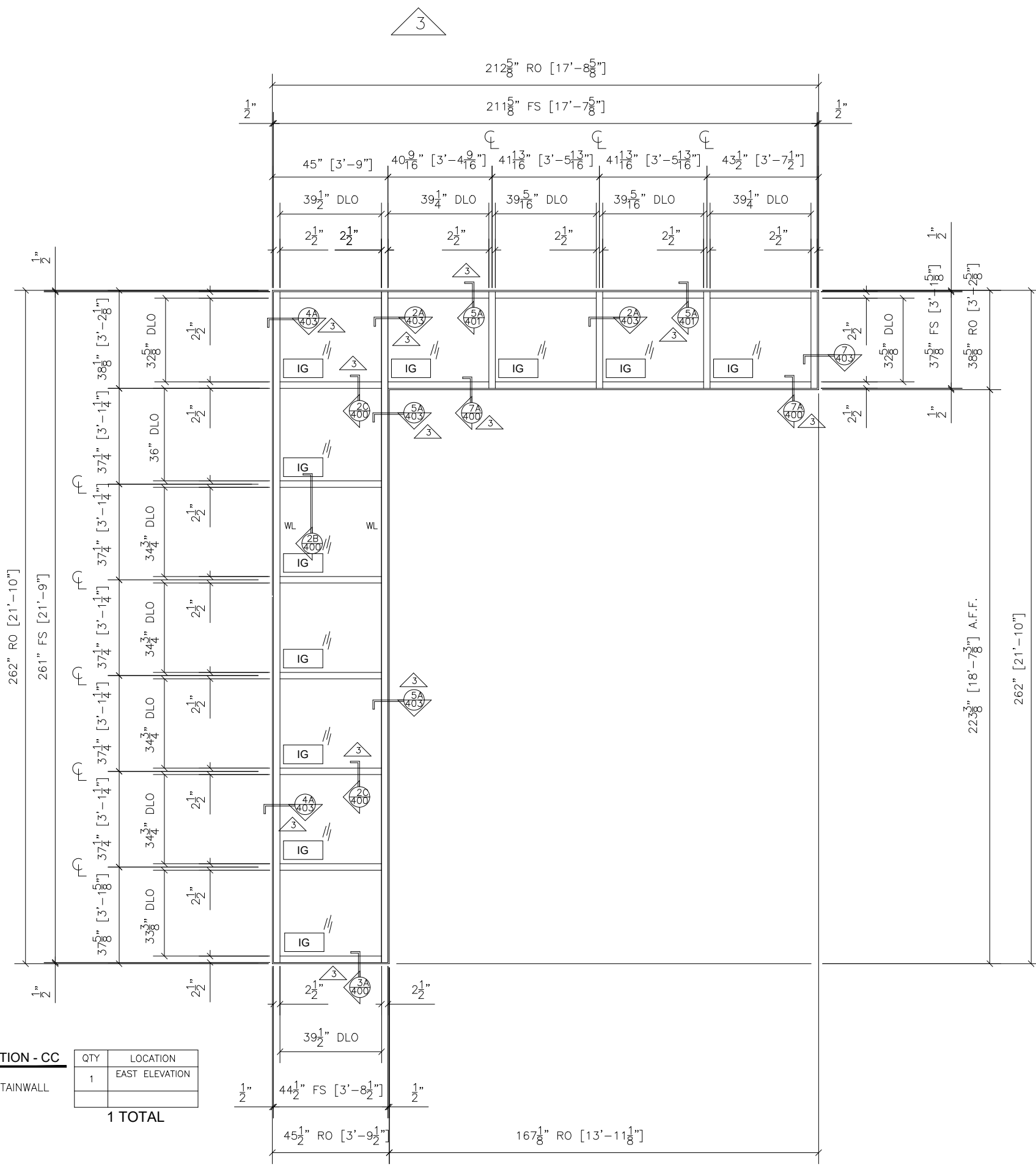
SHEET: **203**



**2 CURTAINWALL ELEVATION - DD**  
 TUBELITE SERIES 400T  
 2-1/2" X 6-1/4" CURTAINWALL  
 ARCH. REF.: 9/A7.10

QTY	LOCATION
1	EAST ELEVATION

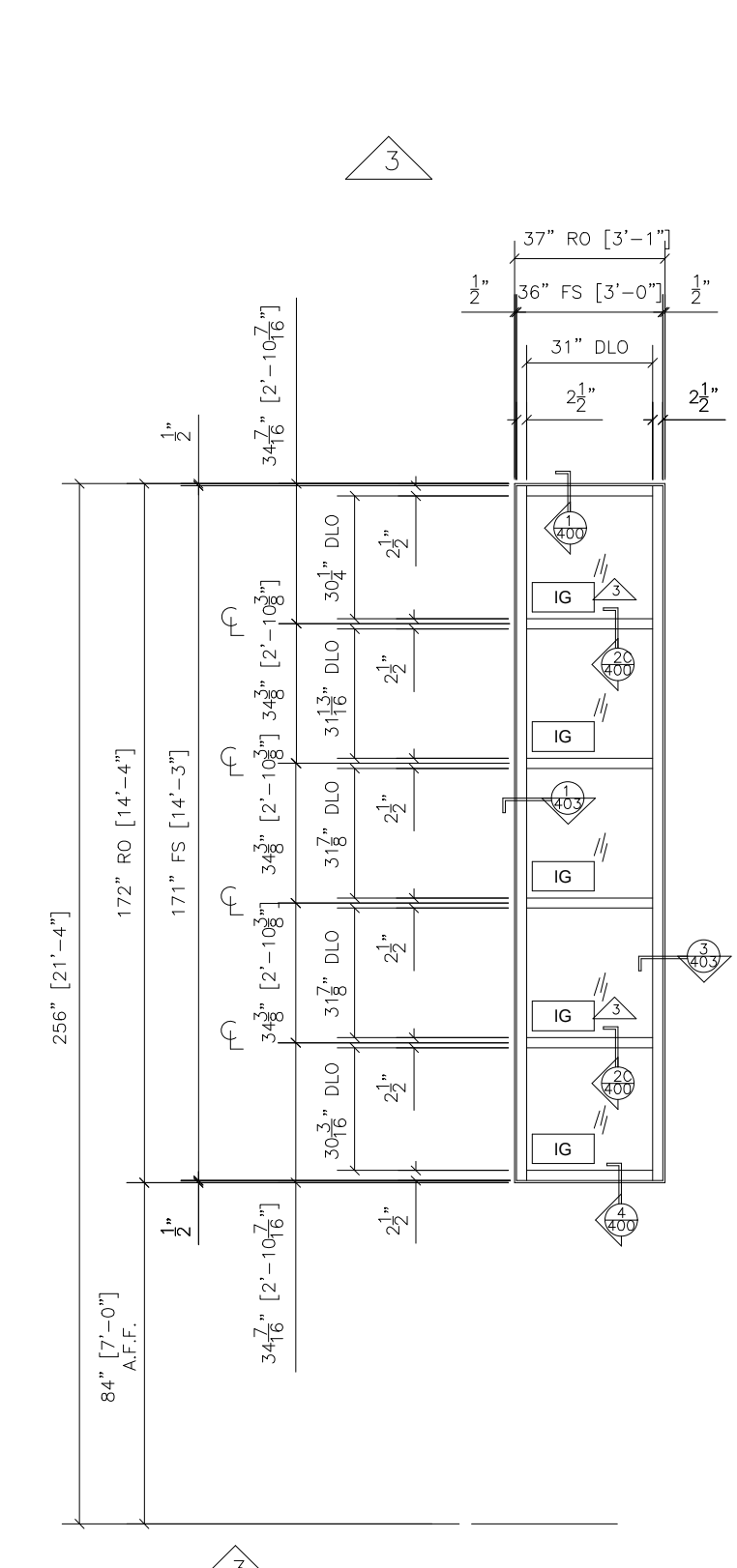
**1 TOTAL**



**3 CURTAINWALL ELEVATION - CC**  
 TUBELITE SERIES 400T  
 2-1/2" X 6-1/4" CURTAINWALL  
 ARCH. REF.: 8/A7.10

QTY	LOCATION
1	EAST ELEVATION

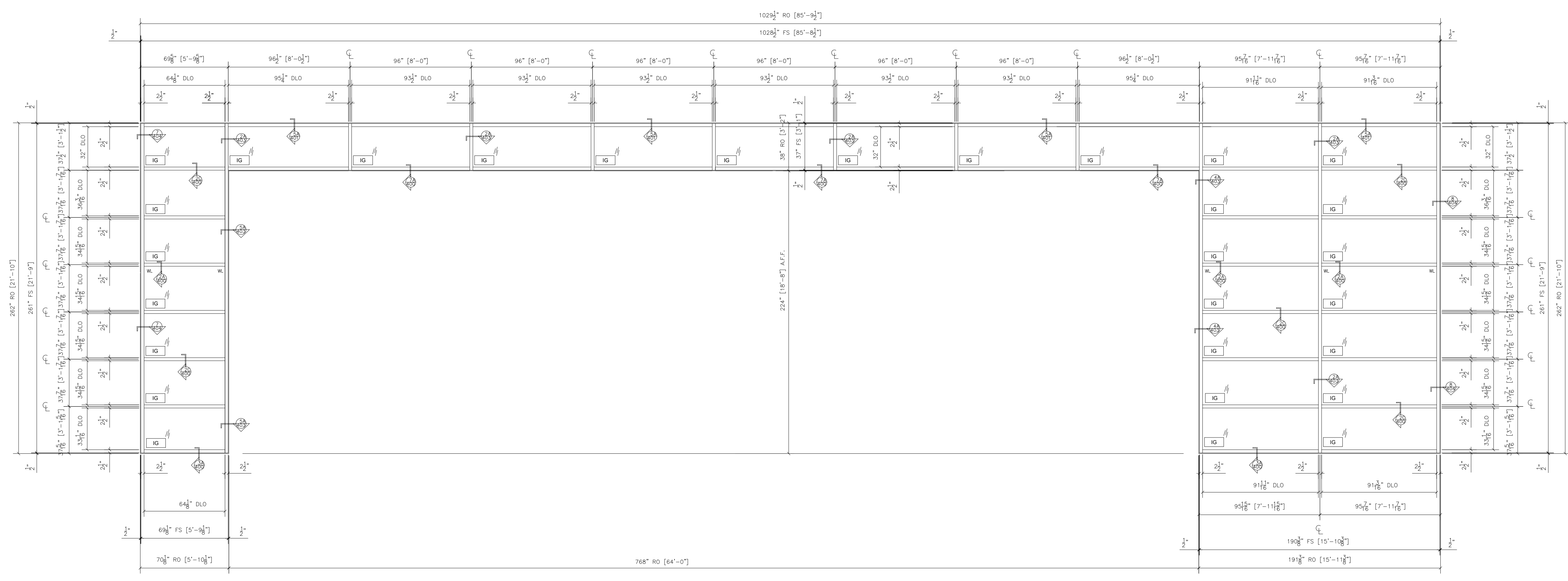
**1 TOTAL**



**4 CURTAINWALL ELEVATION - BB**  
 TUBELITE SERIES 400T  
 2-1/2" X 6-1/4" CURTAINWALL  
 ARCH. REF.: 7/A7.10

QTY	LOCATION
1	EAST ELEVATION
1	WEST ELEVATION

**2 TOTAL**



**1 CURTAINWALL ELEVATION - AA**  
 TUBELITE SERIES 400T  
 2-1/2" X 6-1/4" CURTAINWALL  
 ARCH. REF.: 6/A7.10

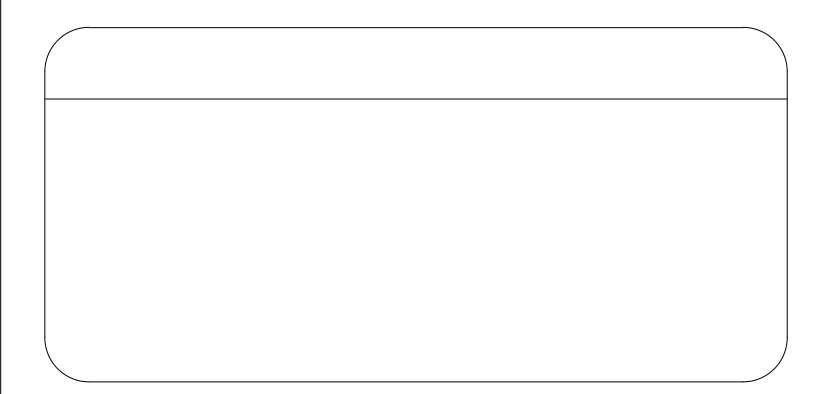
QTY	LOCATION
1	EAST ELEVATION

**1 TOTAL**

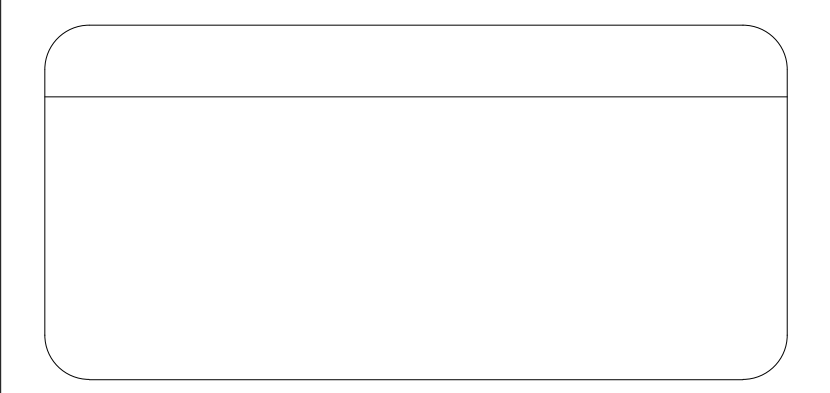
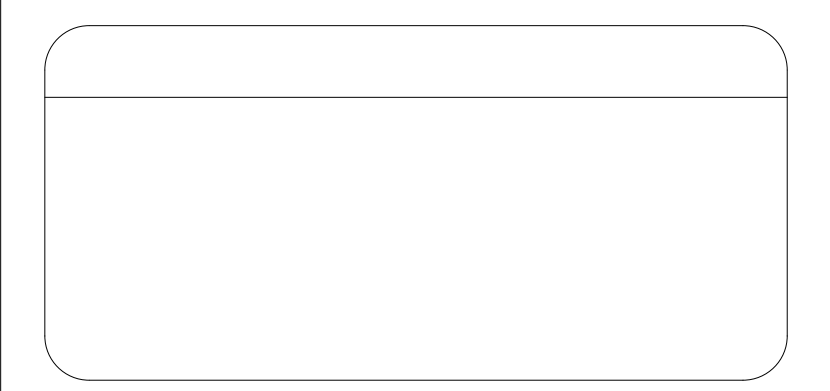
NO.	REVISION/ISSUED	DATE
1	1ST SUBMITTAL	01/06/2020
3	PER COMMENTS	02/05/2020

PROJECT NAME & LOCATION:  
 PRESTONWOOD NORTH CAMPUS  
 PHASE 3 EXPANSION  
 1001 WEST PROSPER TRAIL  
 DALLAS, TX 75078

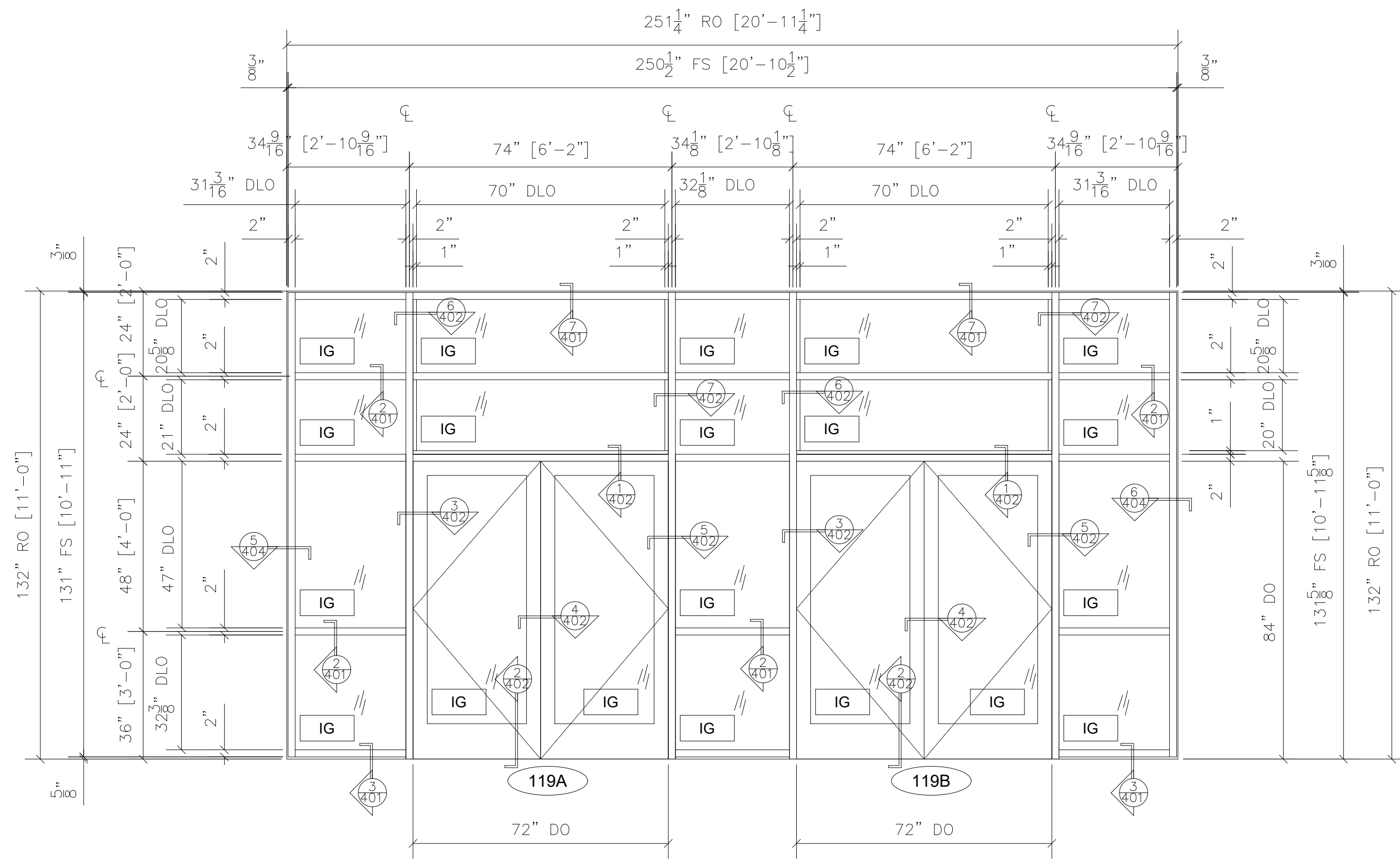
SHEET TITLE:  
**FRAME ELEVATIONS**



DRAWN BY:  
 KS DRAFTING & DESIGN, LLC  
 KYLE SCHNECK  
 HARRISBURG, PA 17110  
 KYLE@KSDRAFTINGDESIGNLLC.COM  
 717-228-7114  
 KSDRAFTINGDESIGNLLC.COM



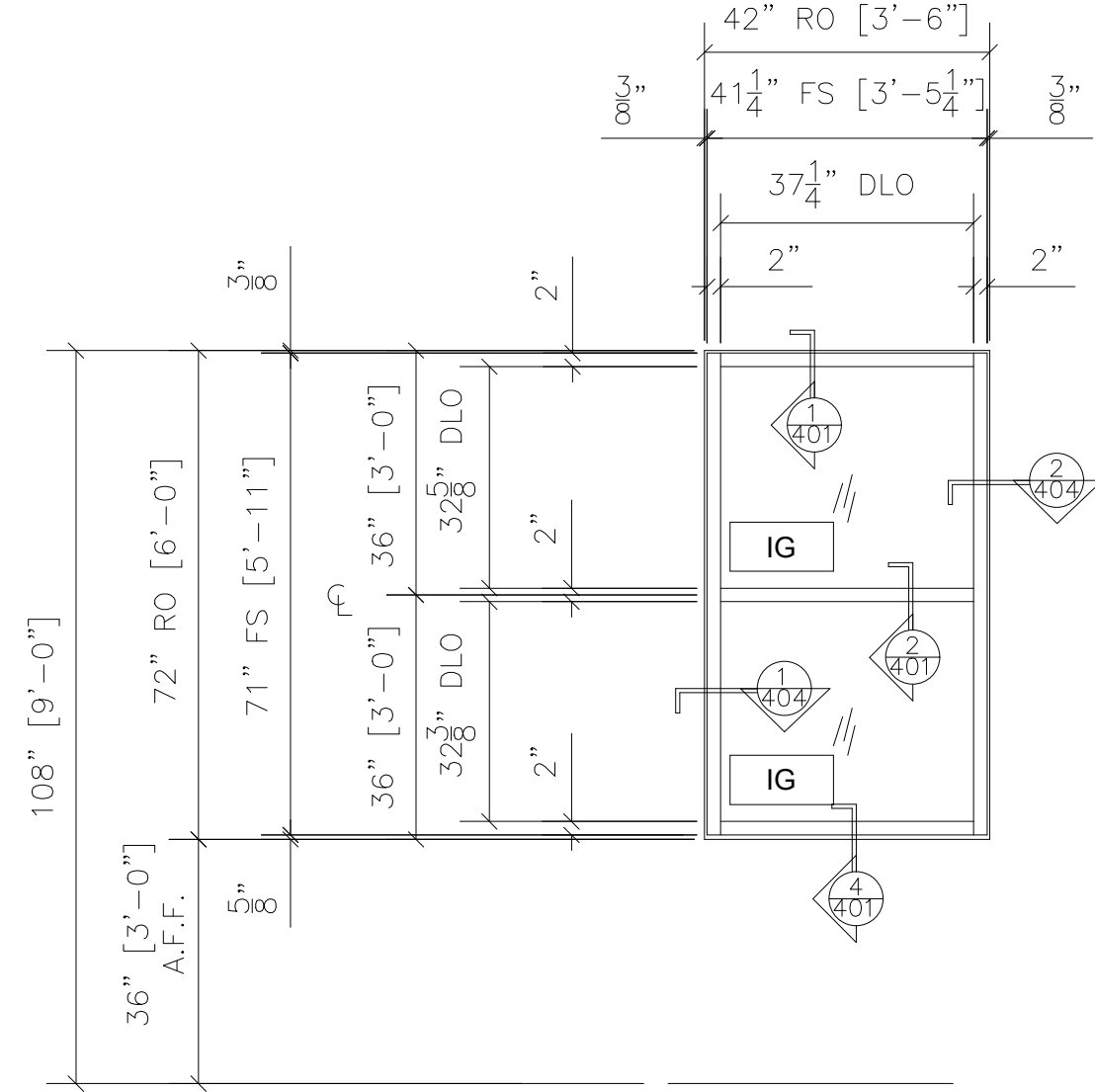
DRAWN BY:	SHEET:
BRIAN GANOE	204
CHECKED BY: KYLE SCHNECK	
DATE: 02/05/2020	



**7 STOREFRONT - SF-B**  
 TUBELITE T14000 2" X 4-1/2" EXTERIOR STOREFRONT  
 MEDIUM STILE STOREFRONT DOOR WITH 10" BOTTOM RAIL  
 ARCH. REF.: 3/A7.10

QTY	LOCATION
1	SOUTH ELEVATION

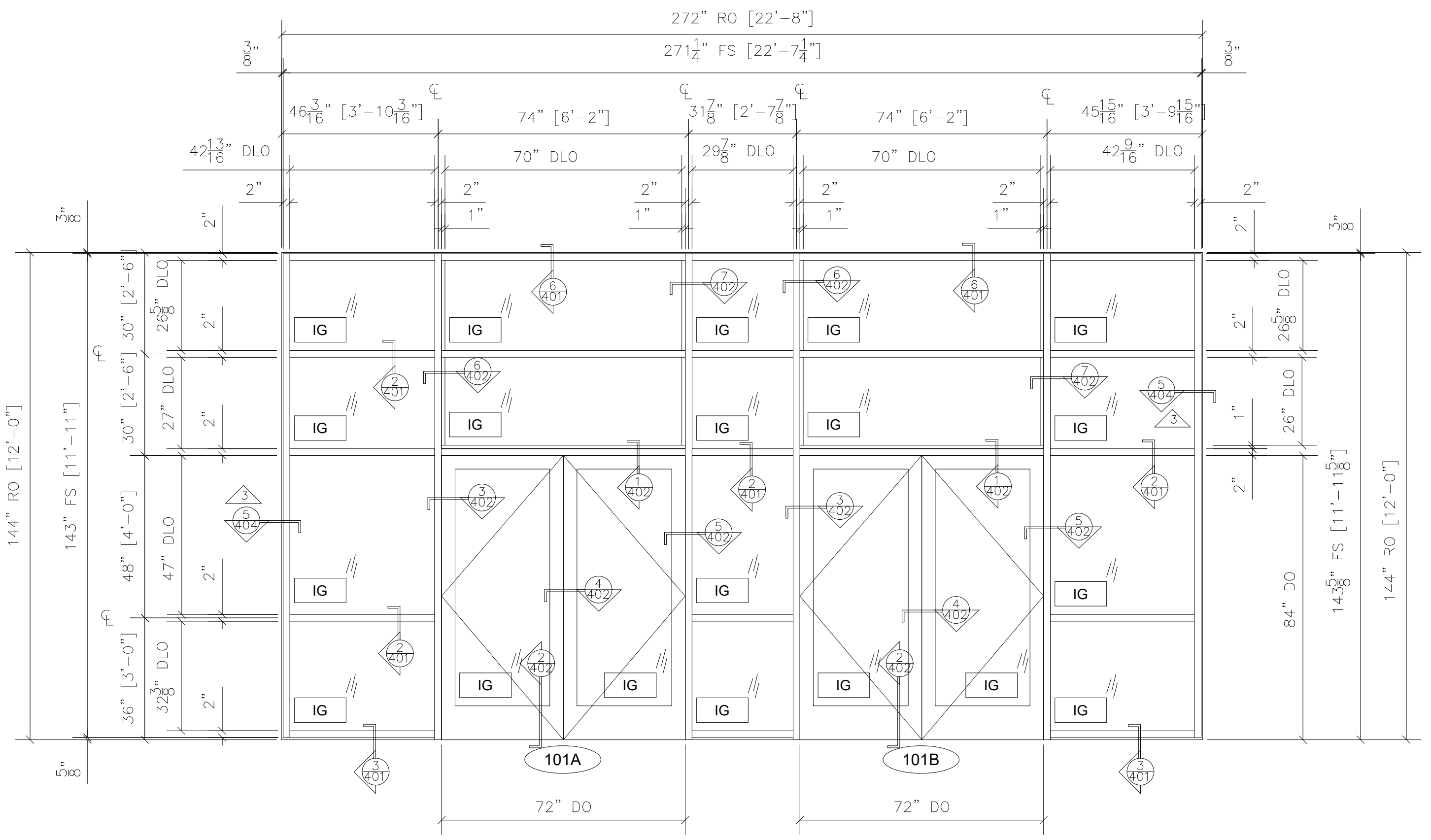
1 TOTAL



**8 STOREFRONT - SF-EE**  
 TUBELITE T14000 2" X 4-1/2" EXTERIOR STOREFRONT  
 ARCH. REF.: 12/A7.10

QTY	LOCATION
20	SOUTH ELEVATION

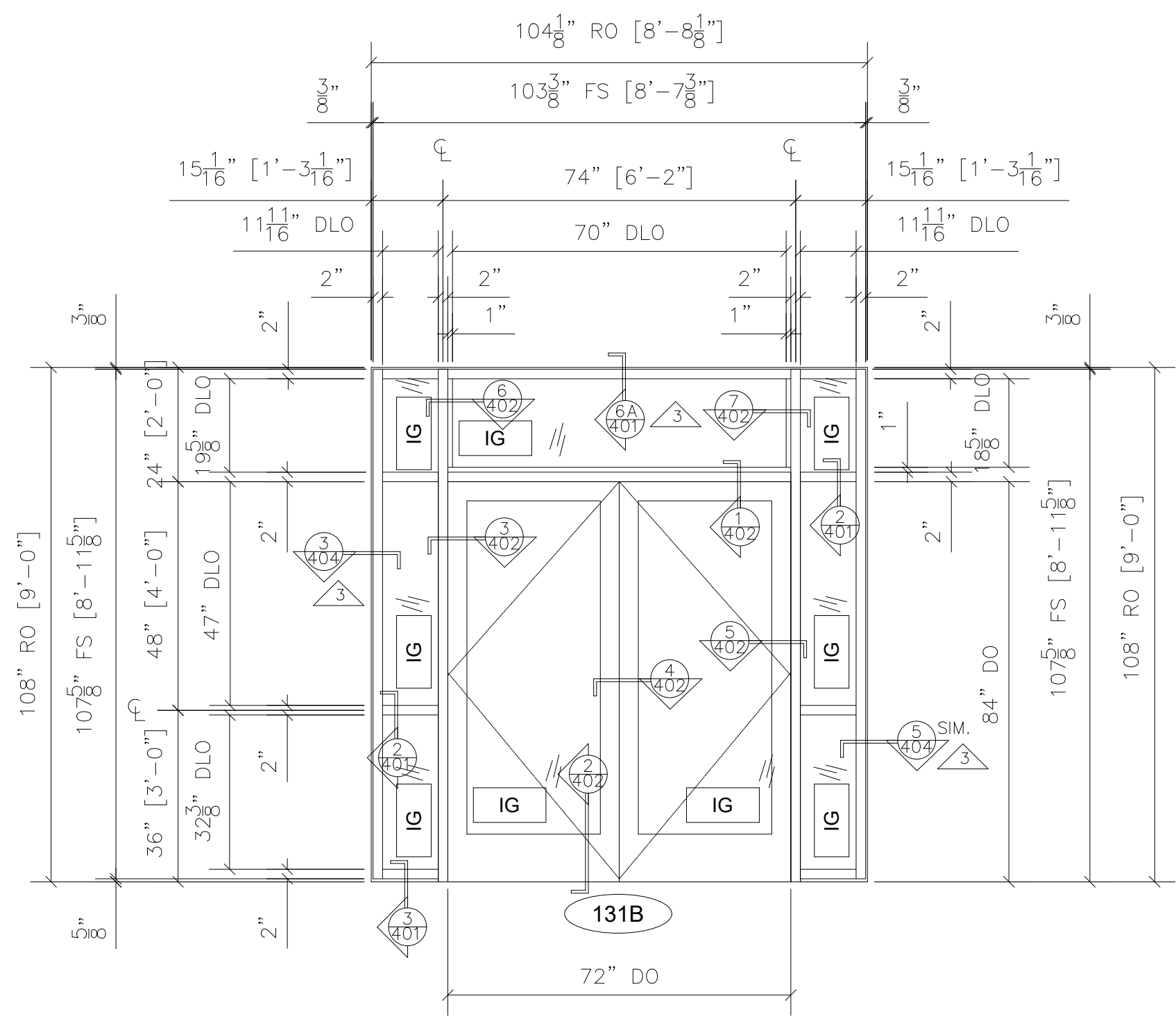
20 TOTAL



**5 STOREFRONT - SF-A**  
 TUBELITE T14000 2" X 4-1/2" EXTERIOR STOREFRONT  
 MEDIUM STILE STOREFRONT DOOR WITH 10" BOTTOM RAIL  
 ARCH. REF.: 2/A7.10

QTY	LOCATION
1	EAST ELEVATION

1 TOTAL



**6 STOREFRONT - SF-D**  
 TUBELITE T14000 2" X 4-1/2" EXTERIOR STOREFRONT  
 MEDIUM STILE STOREFRONT DOOR WITH 10" BOTTOM RAIL  
 ARCH. REF.: 5/A7.10

QTY	LOCATION
1	WEST ELEVATION

1 TOTAL

NO.	REVISION/ISSUED	DATE
1	1ST SUBMITTAL	01/06/2020
3	PER COMMENTS	02/05/2020

PROJECT NAME & LOCATION:  
 PRESTONWOOD NORTH CAMPUS  
 PHASE 3 EXPANSION  
 1001 WEST PROSPER TRAIL  
 DALLAS, TX 75078

SHEET TITLE:  
**FRAME ELEVATIONS**

DRAWN BY:  
 KS DRAFTING & DESIGN, LLC  
 KYLE SCHNECK  
 HARRISBURG, PA 17110  
 KYLE@KSDRAFTINGDESIGNLLC.COM  
 717-228-1114  
 KSDRAFTINGDESIGNLLC.COM

DRAWN BY: **BRIAN GANOE**  
 CHECKED BY: **KYLE SCHNECK**  
 DATE: **02/05/2020**

SHEET: **205**

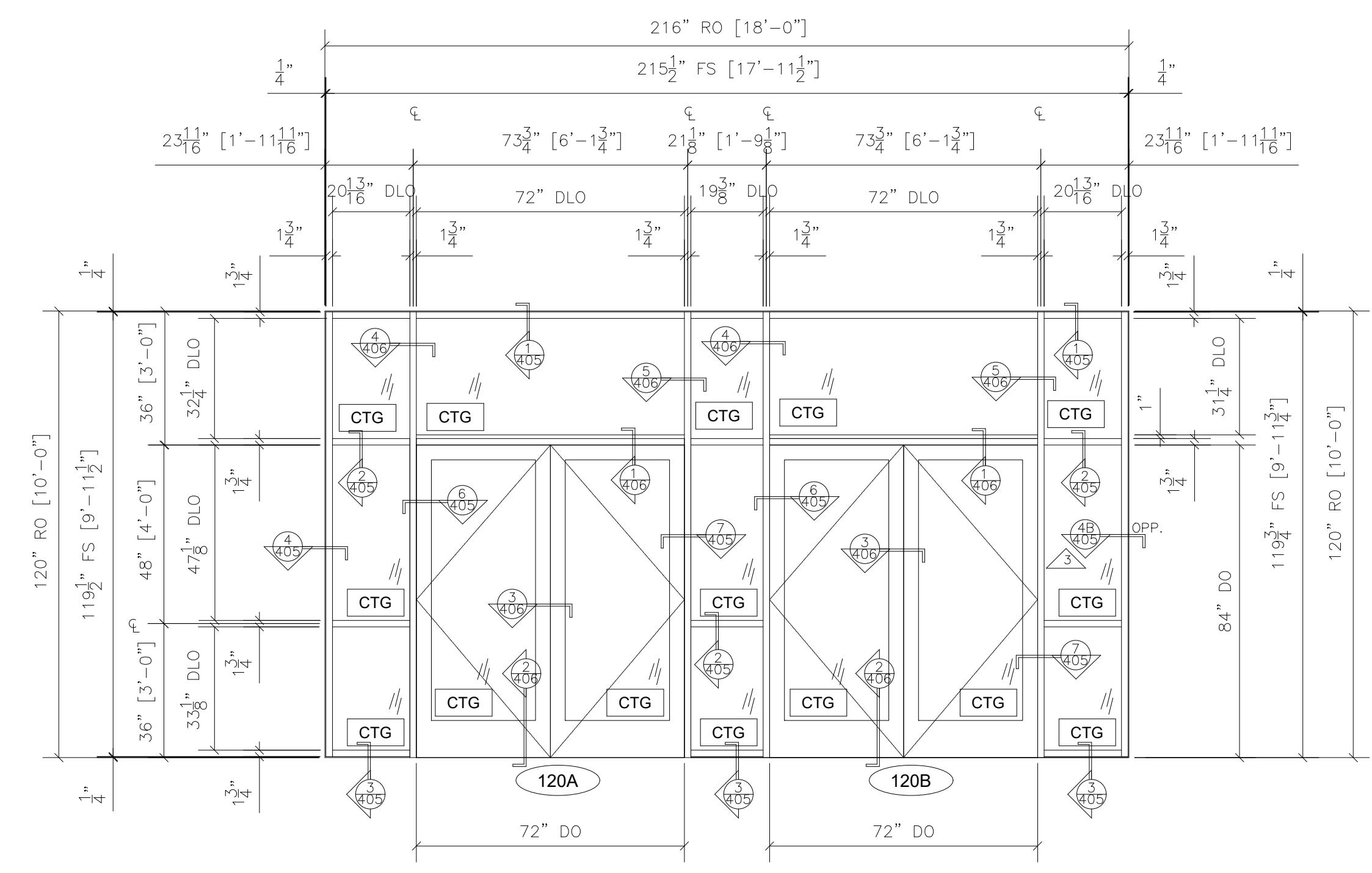
NO.	REVISION/ISSUED	DATE
1	1ST SUBMITTAL	01/06/2020
3	PER COMMENTS	02/05/2020

PROJECT NAME & LOCATION:  
 PRESTONWOOD NORTH CAMPUS  
 PHASE 3 EXPANSION  
 1001 WEST PROSPER TRAIL  
 DALLAS, TX 75078

SHEET TITLE:  
**FRAME ELEVATIONS**

DRAWN BY:  
 KS DRAFTING & DESIGN, LLC  
 KYLE SCHNECK  
 HARRISBURG, PA 17110  
 KYLE@KSDRAFTINGDESIGNLLC.COM  
 717-228-7114  
 KSDRAFTINGDESIGNLLC.COM

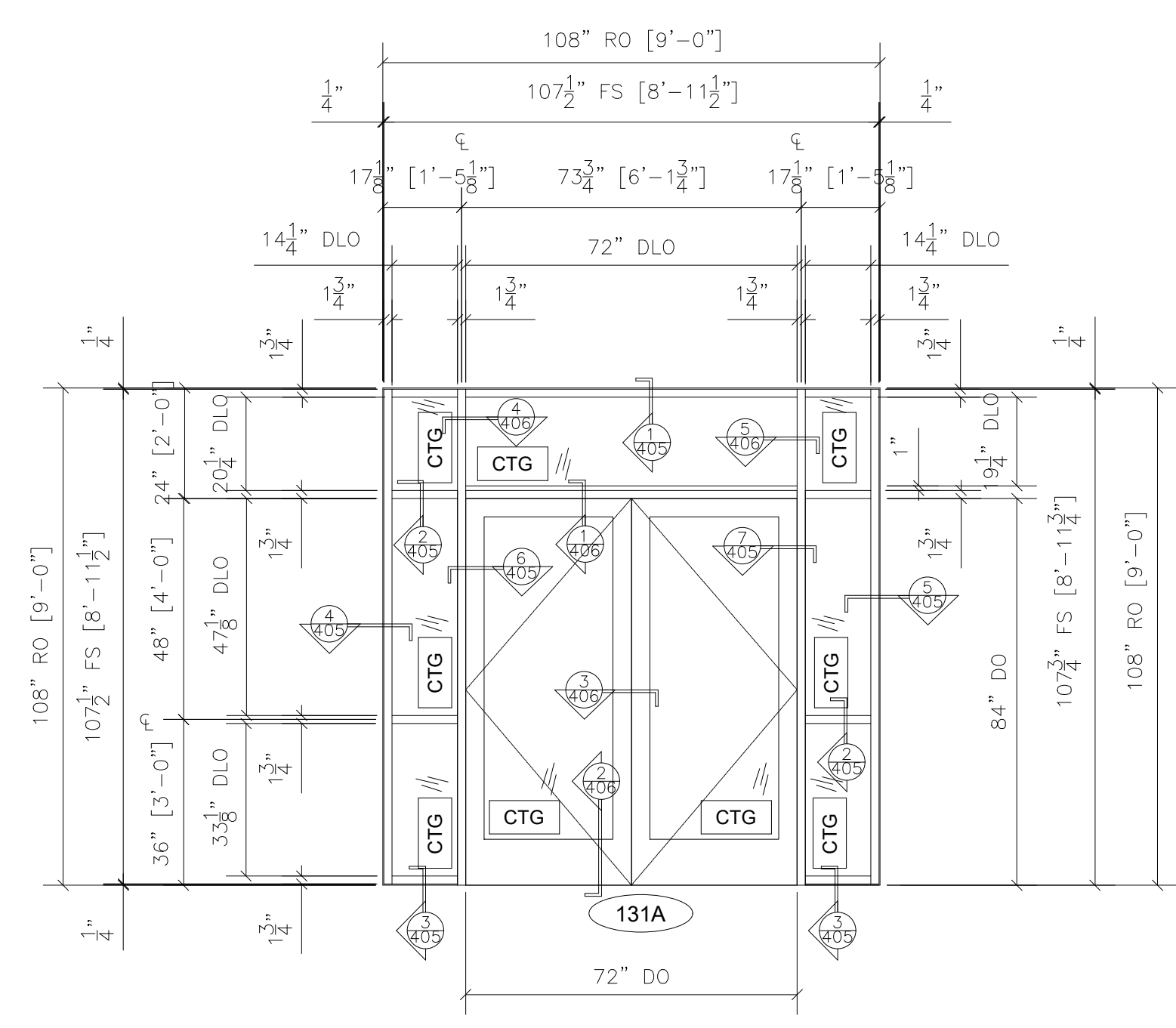
DRAWN BY: **BRIAN GANOE** SHEET:  
 CHECKED BY: **KYLE SCHNECK** **206**  
 DATE: **02/05/2020**



**11 STOREFRONT - SF-C**  
 TUBELITE E4500 1-3/4" X 4-1/2" INTERIOR STOREFRONT  
 MEDIUM STILE STOREFRONT DOOR WITH 10" BOTTOM RAIL  
 ARCH. REF.: 4/A7.10

QTY	LOCATION
1	EDUCATION LOBBY 120

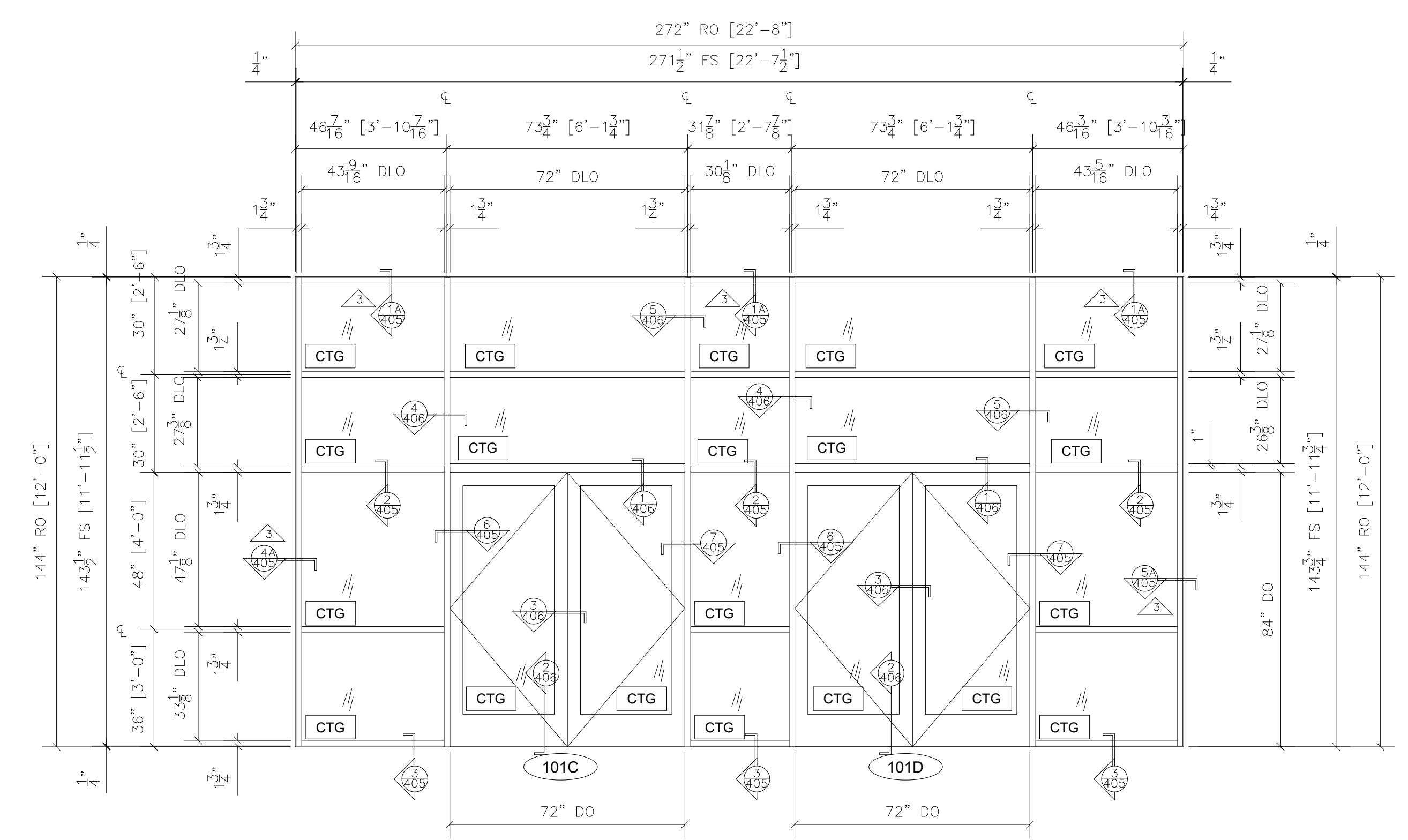
**1 TOTAL**



**12 STOREFRONT - SF-E**  
 TUBELITE E4500 1-3/4" X 4-1/2" INTERIOR STOREFRONT  
 MEDIUM STILE STOREFRONT DOOR WITH 10" BOTTOM RAIL  
 ARCH. REF.: 10/A7.10

QTY	LOCATION
1	EDUCATION LOBBY 120

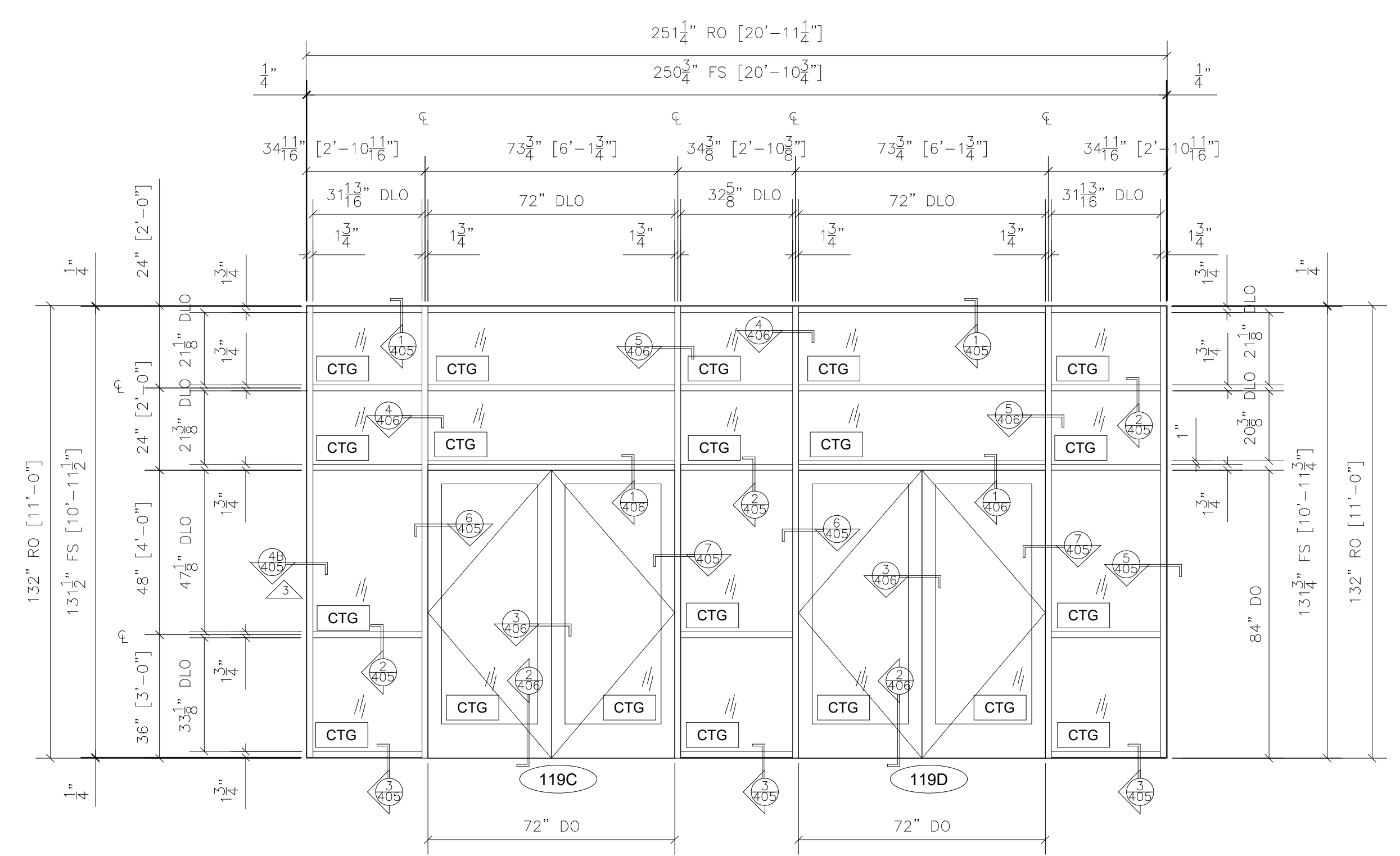
**1 TOTAL**



**9 STOREFRONT - SF-AI**  
 TUBELITE E4500 1-3/4" X 4-1/2" INTERIOR STOREFRONT  
 MEDIUM STILE STOREFRONT DOOR WITH 10" BOTTOM RAIL  
 ARCH. REF.: 2/A7.10

QTY	LOCATION
1	VESTIBULE 101

**1 TOTAL**

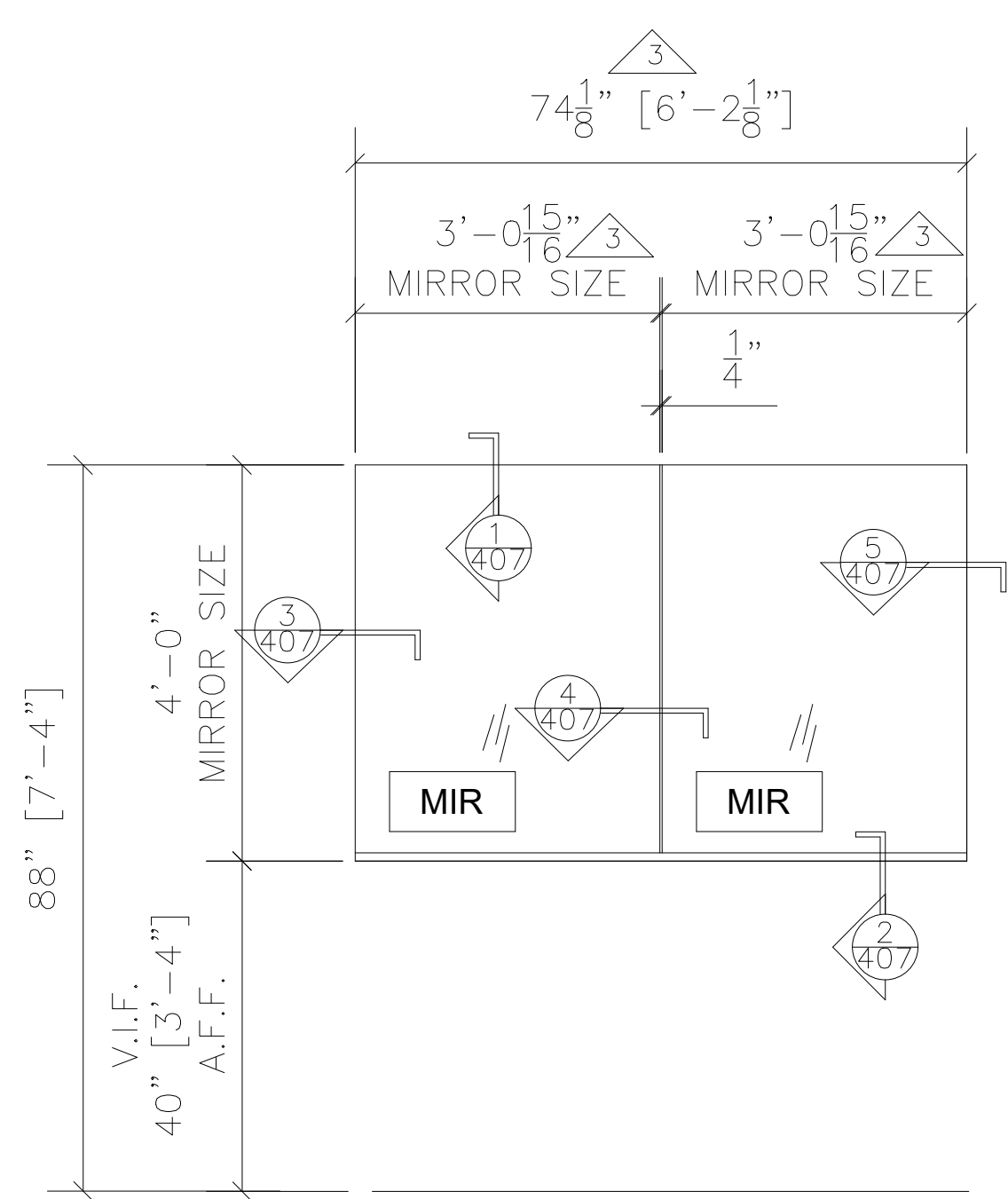


**10 STOREFRONT - SF-BI**  
 TUBELITE E4500 1-3/4" X 4-1/2" INTERIOR STOREFRONT  
 MEDIUM STILE STOREFRONT DOOR WITH 10" BOTTOM RAIL  
 ARCH. REF.: 3/A7.10

QTY	LOCATION
1	VESTIBULE 119

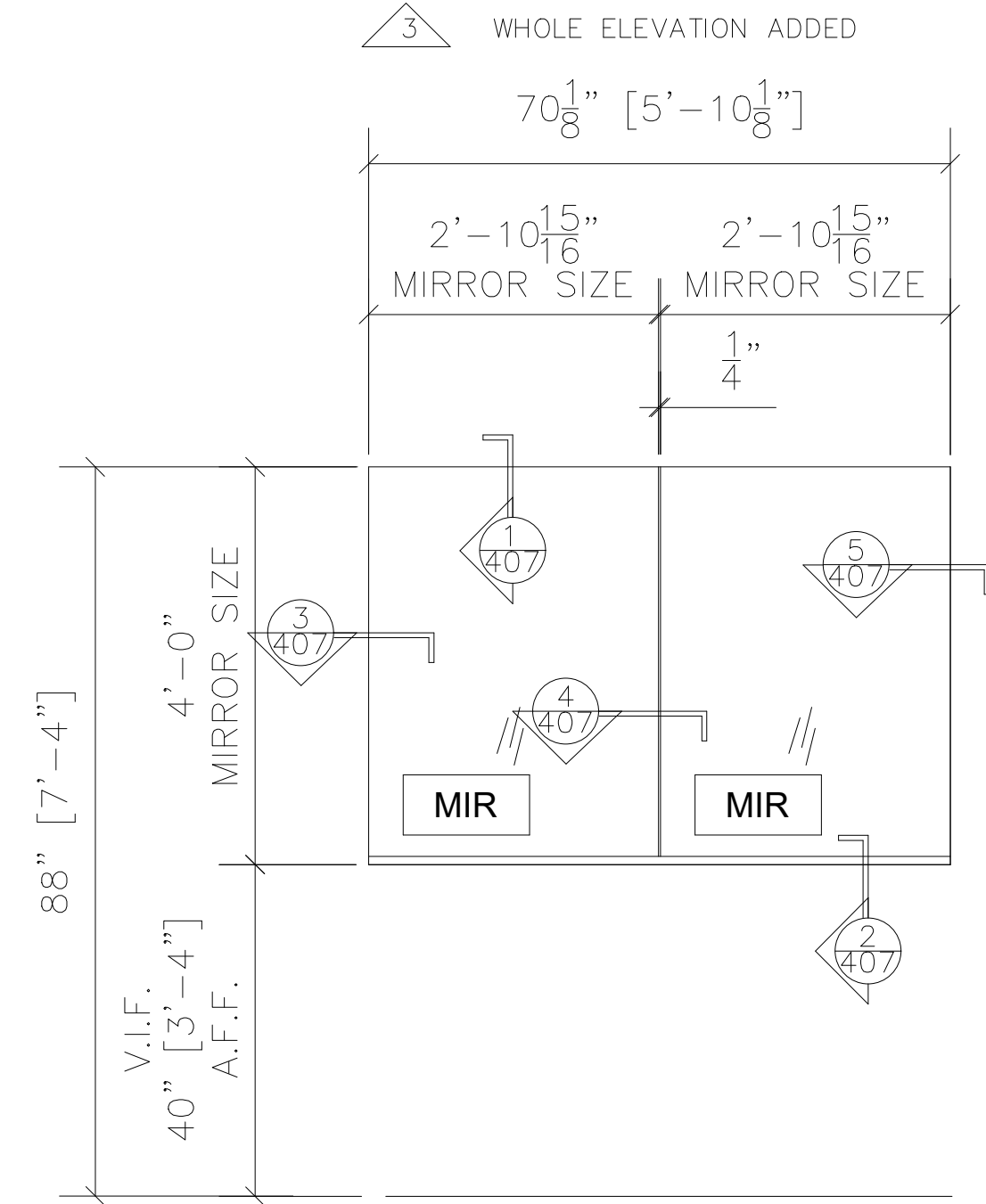
**1 TOTAL**





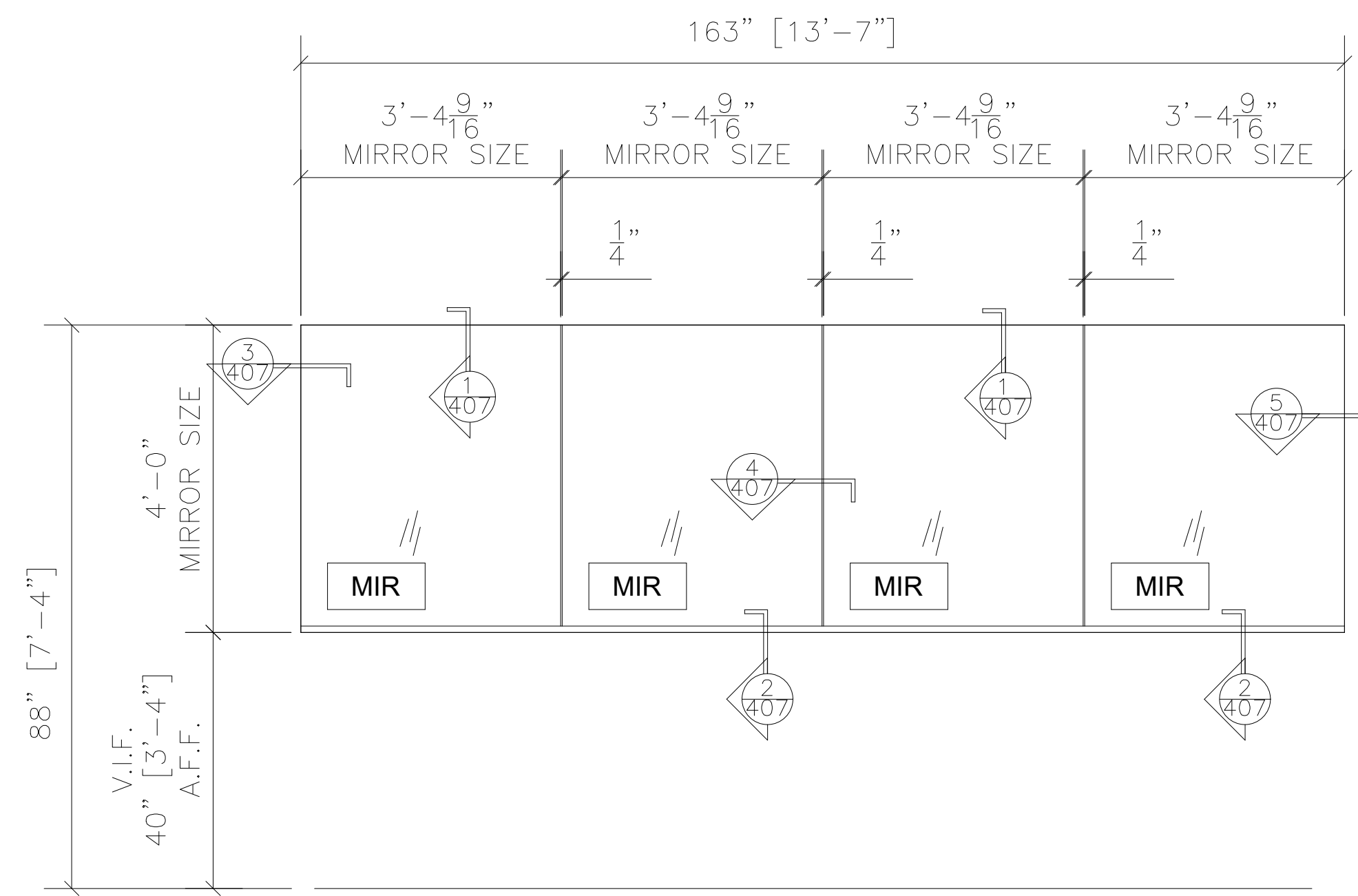
**15 ELEVATION - MIRROR 2**  
CLEAR ANNEALED MIRROR  
ARCH. REF.: 9/A8.81

QTY	LOCATION
1	LOCKER ROOM 1
<b>1 TOTAL</b>	



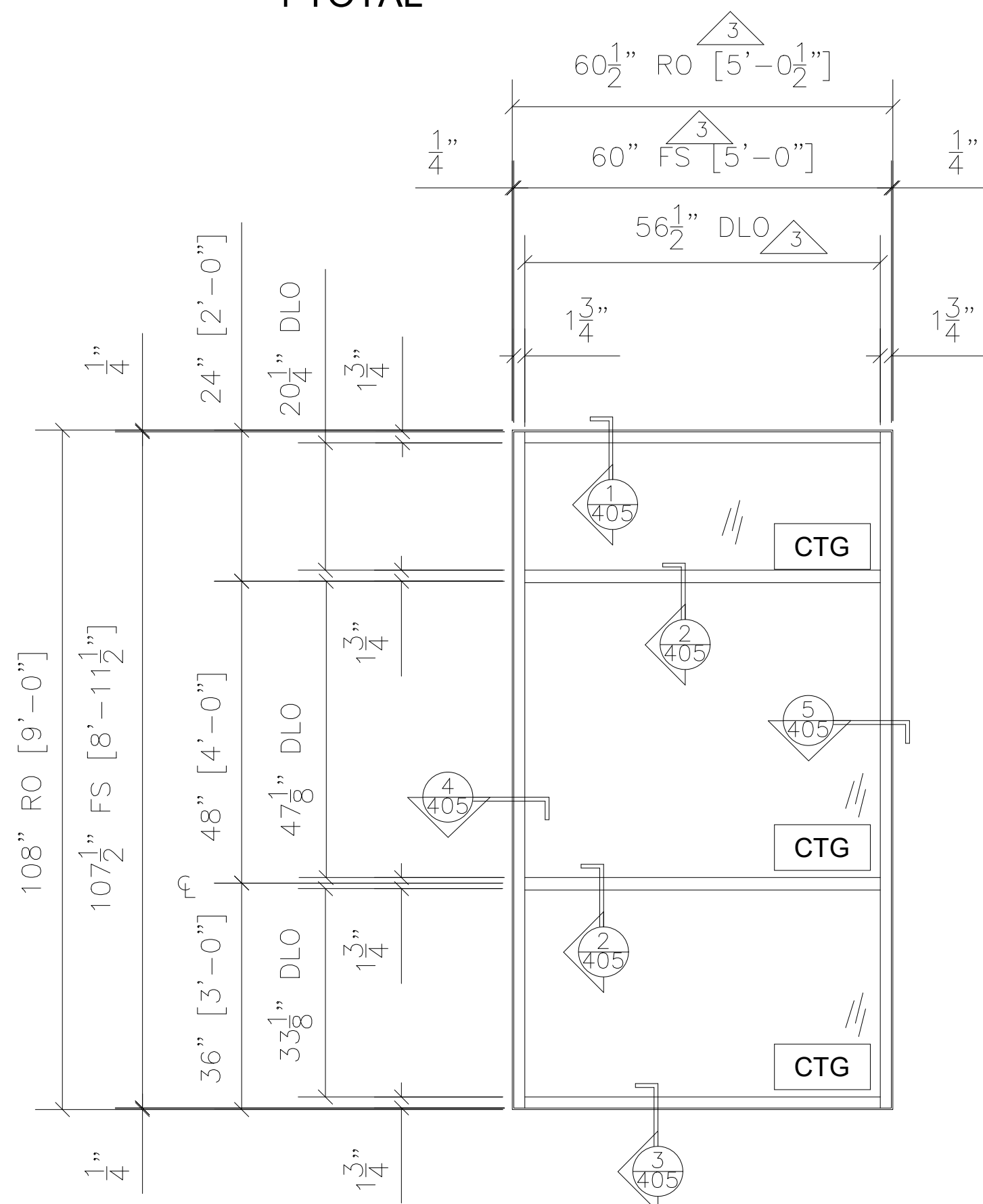
**15A ELEVATION - MIRROR 3**  
CLEAR ANNEALED MIRROR  
ARCH. REF.: 15/A8.81

QTY	LOCATION
1	LOCKER ROOM 2
<b>1 TOTAL</b>	



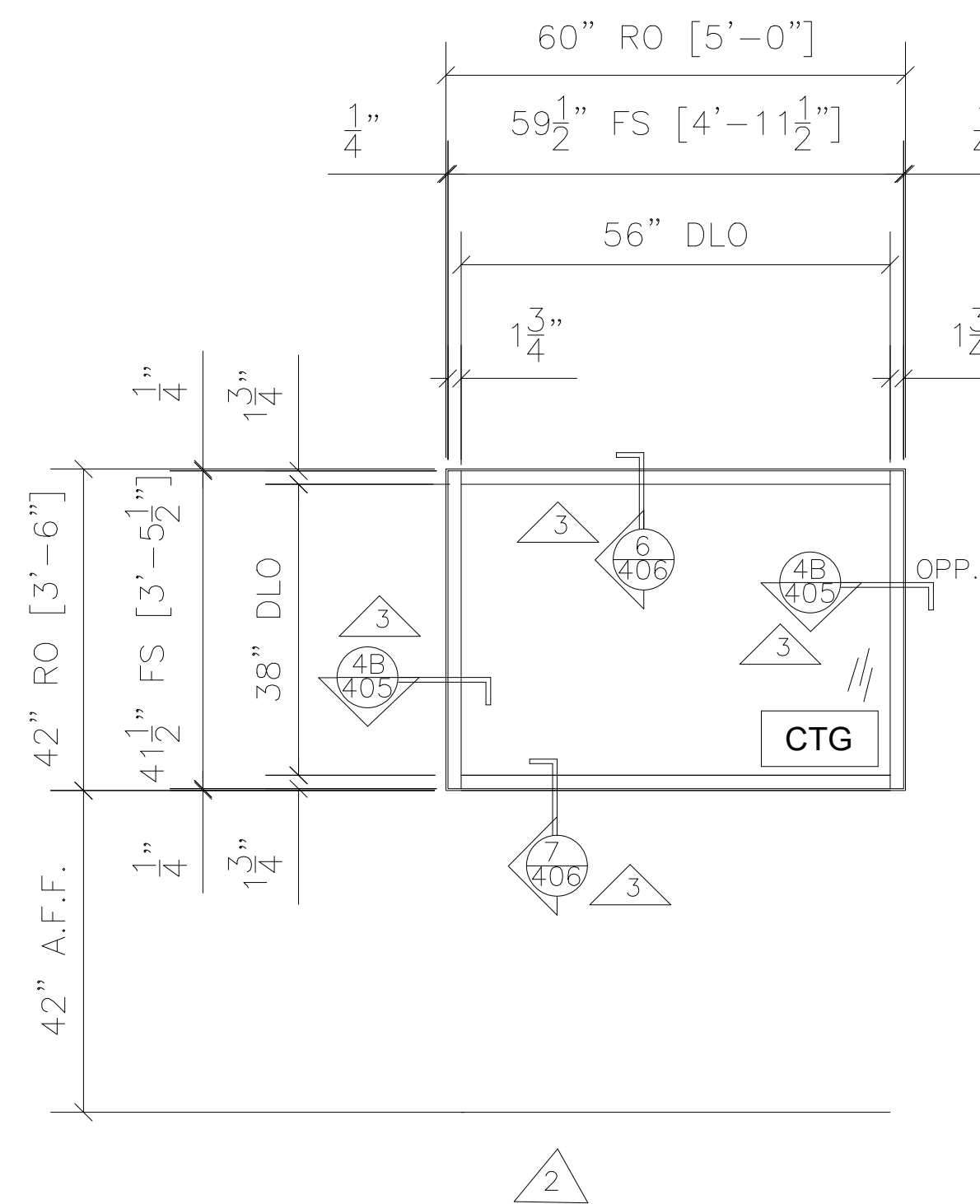
**14 ELEVATION - MIRROR**  
CLEAR ANNEALED MIRROR  
ARCH. REF.: 1&7/A8.81

QTY	LOCATION
1	MEN'S RESTROOM 144
1	WOMEN'S RESTROOM 143
<b>2 TOTAL</b>	



**13 STOREFRONT - F**  
TUBELITE E4500 1-3/4" X 4-1/2"  
INTERIOR STOREFRONT  
ARCH. REF.: A7.10

QTY	LOCATION
1	RECEPTION 121
<b>1 TOTAL</b>	



**13A STOREFRONT - FF**  
TUBELITE E4500 1-3/4" X 4-1/2"  
INTERIOR STOREFRONT  
ARCH. REF.: A7.10

QTY	LOCATION
1	RECEPTION 121
<b>1 TOTAL</b>	

NO.	REVISION/ISSUED	DATE
1	1ST SUBMITTAL	01/06/2020
2	PER ASI #7 AND RFI #27	01/15/2020
3	PER COMMENTS	02/05/2020

PROJECT NAME & LOCATION:  
PRESTONWOOD NORTH CAMPUS  
PHASE 3 EXPANSION  
1001 WEST PROSPER TRAIL  
DALLAS, TX 75078

SHEET TITLE:  
**FRAME ELEVATIONS**

DRAWN BY:  
KYLE SCHNECK  
HARRISBURG, PA 17110  
KYLE@KSDRAFTINGDESIGNLLC.COM  
717-228-7114  
KSDRAFTINGDESIGNLLC.COM

DRAWN BY: **BRIAN GANOE** SHEET:  
CHECKED BY: **KYLE SCHNECK** **207**  
DATE: **02/05/2020**

NO.	REVISION/ISSUED	DATE
1	1ST SUBMITTAL	01/06/2020
3	PER COMMENTS	02/05/2020

PROJECT NAME & LOCATION:  
**PRESTONWOOD NORTH CAMPUS  
 PHASE 3 EXPANSION  
 1001 WEST PROSPER TRAIL  
 DALLAS, TX 75078**

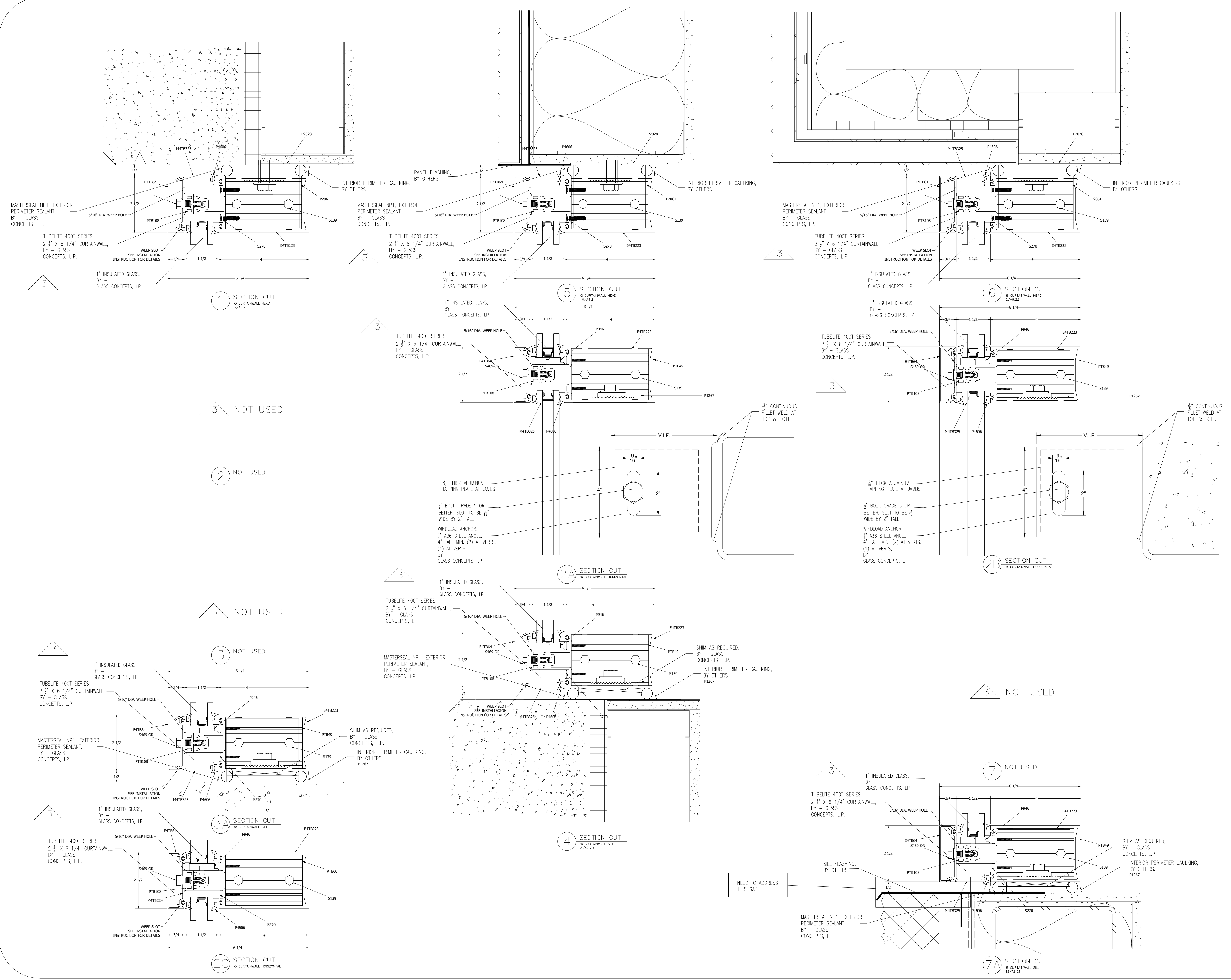
SHEET TITLE:  
**DETAILS**

DRAWN BY:

KS DRAFTING & DESIGN, LLC  
 KYLE SCHNECK  
 HARRISBURG, PA 17110  
 KYLE@KSDRAFTINGDESIGNLLC.COM  
 717-228-7114  
 KSDRAFTINGDESIGNLLC.COM

DRAWN BY:  
**BRIAN GANOE**  
 CHECKED BY:  
**KYLE SCHNECK**  
 DATE:  
**02/05/2020**

SHEET:  
**400**



NO.	REVISION/ISSUED	DATE
1	1ST SUBMITTAL	01/06/2020
3	PER COMMENTS	02/05/2020

PROJECT NAME & LOCATION:  
**PRESTONWOOD NORTH CAMPUS  
 PHASE 3 EXPANSION  
 1001 WEST PROSPER TRAIL  
 DALLAS, TX 75078**

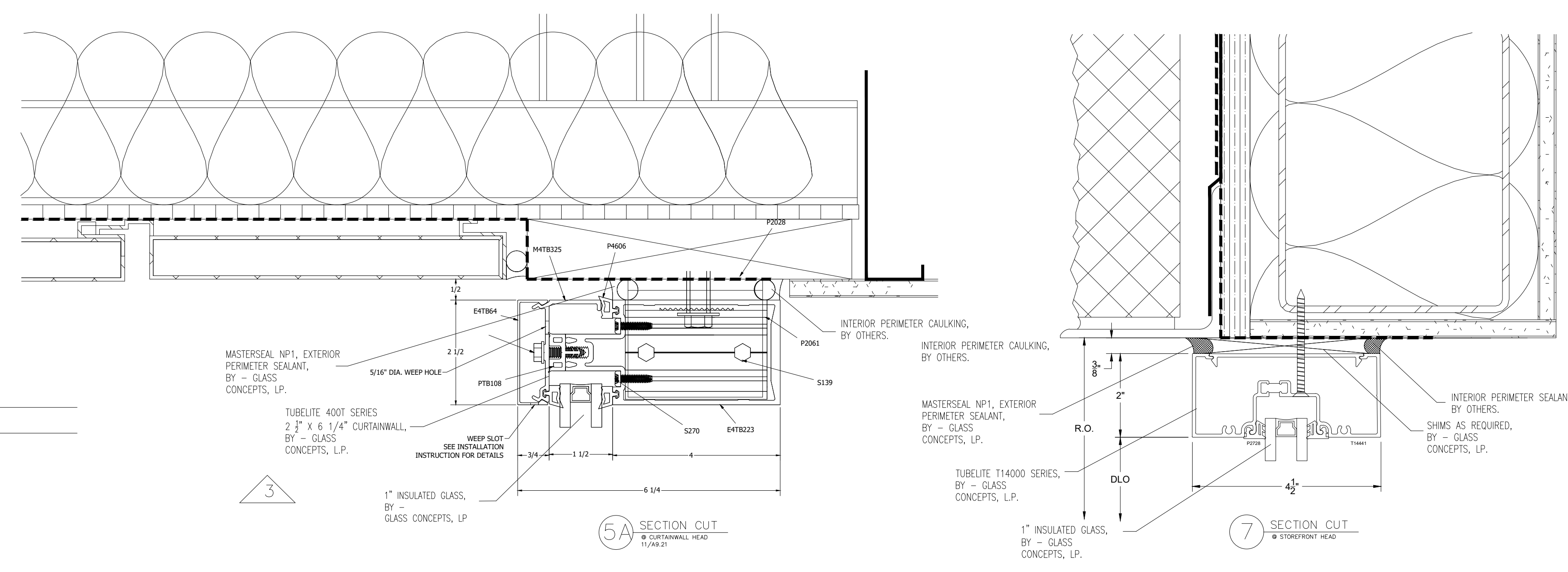
SHEET TITLE:  
**DETAILS**

DRAWN BY:

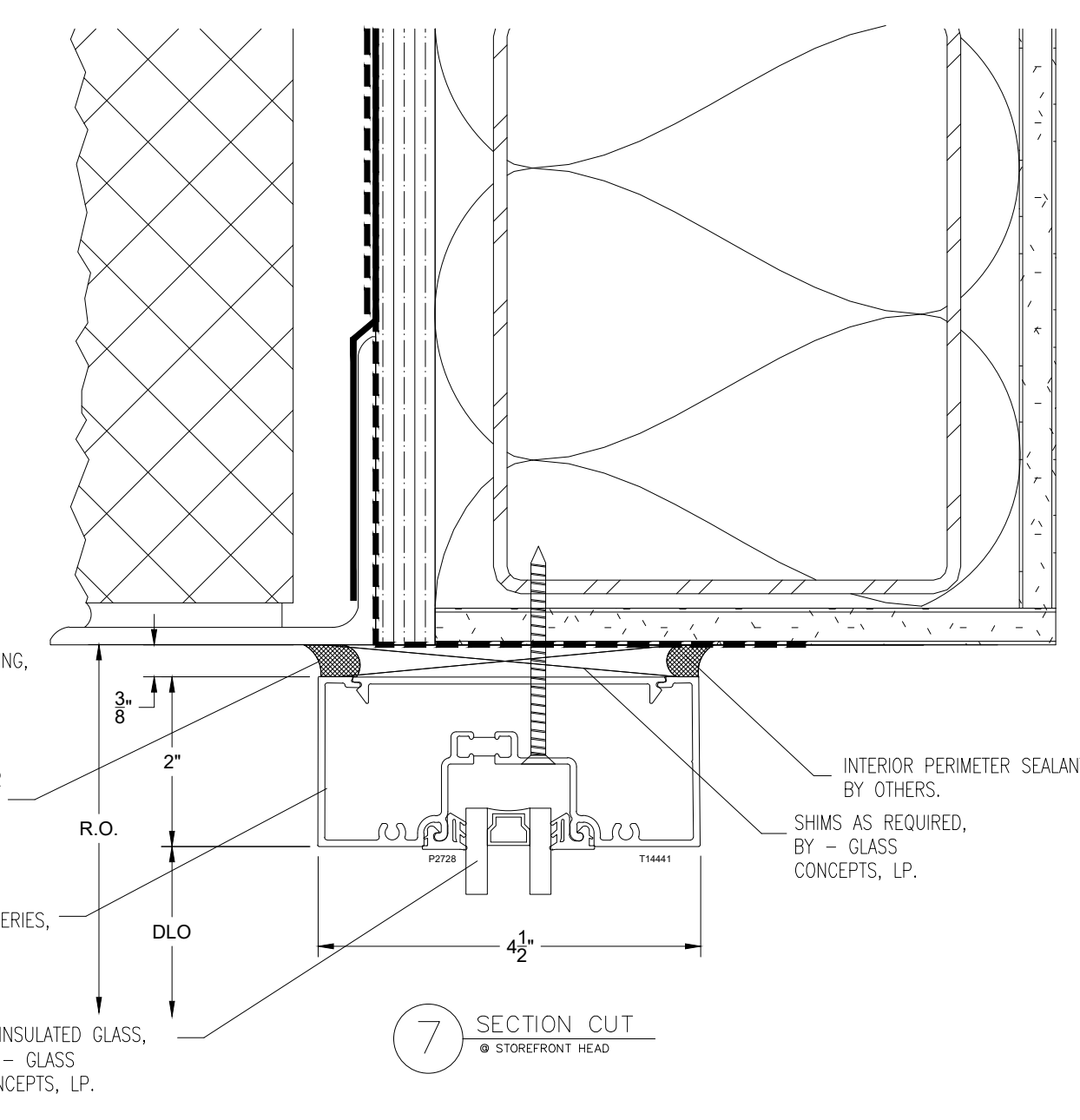
KS DRAFTING & DESIGN, LLC  
 KYLE SCHNECK  
 HARRISBURG, PA 17110  
 KYLE@KSDRAFTINGDESIGNLLC.COM  
 717-228-7114  
 KSDRAFTINGDESIGNLLC.COM

DRAWN BY:  
**BRIAN GANOE**  
 CHECKED BY:  
**KYLE SCHNECK**  
 DATE:  
**02/05/2020**

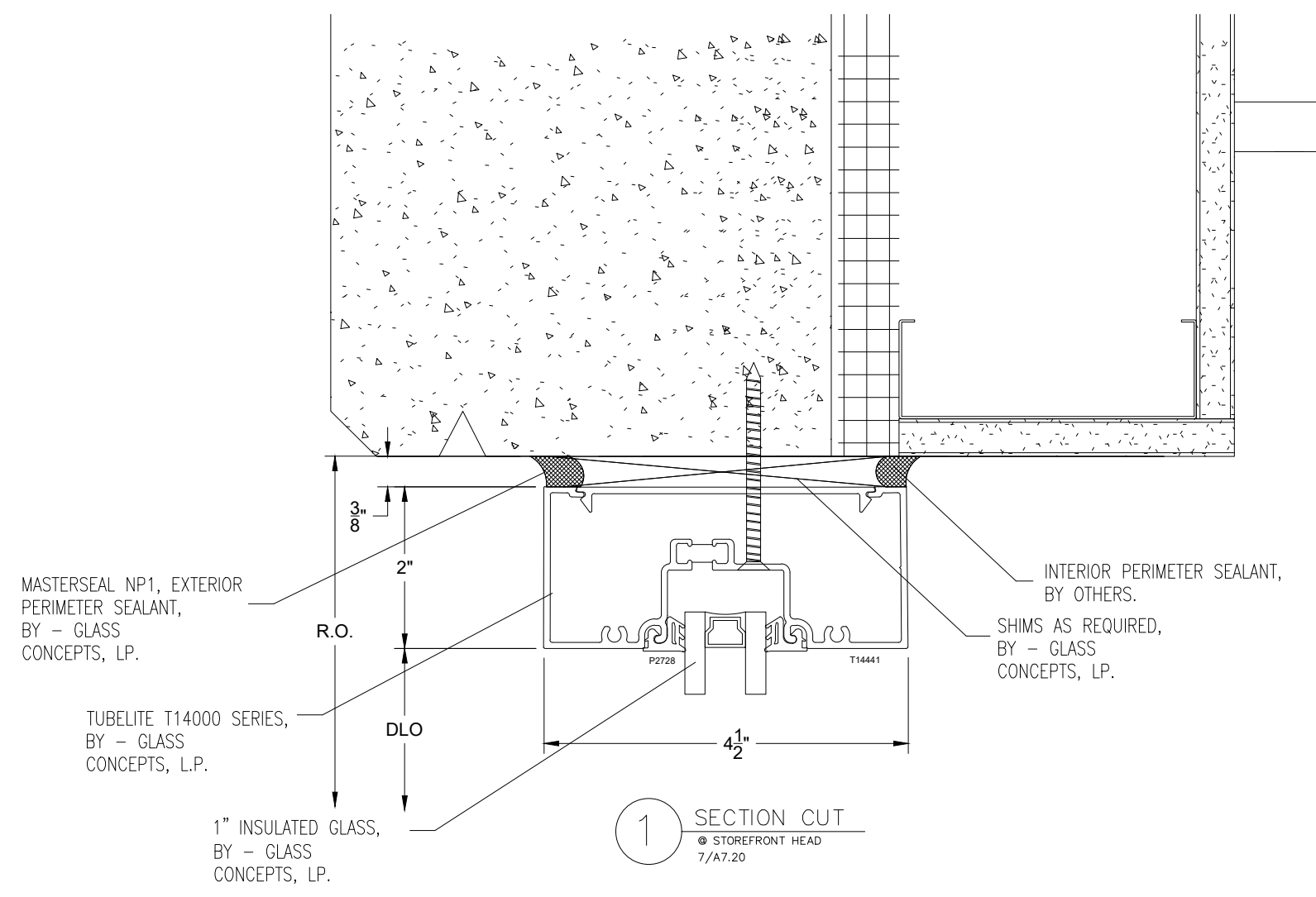
SHEET:  
**401**



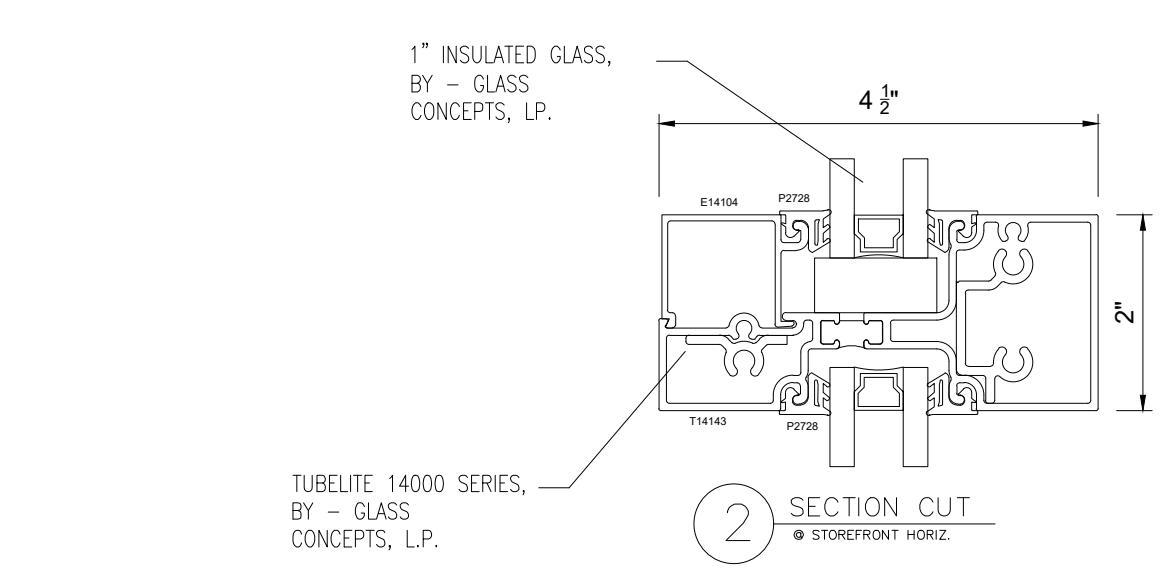
**5A SECTION CUT**  
 CURTAINWALL HEAD  
 11/20/21



**7 SECTION CUT**  
 STOREFRONT HEAD



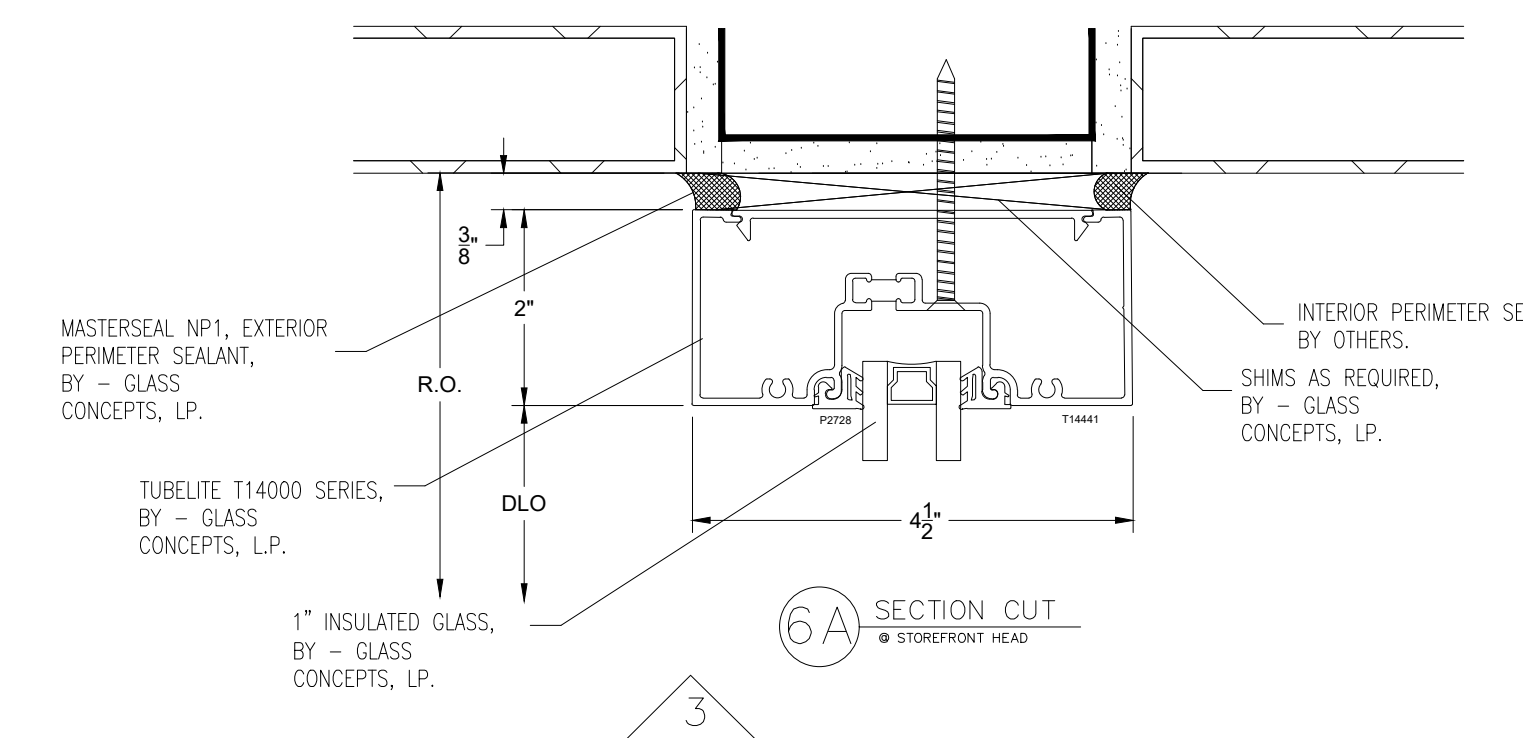
**1 SECTION CUT**  
 STOREFRONT HEAD  
 7/11/20



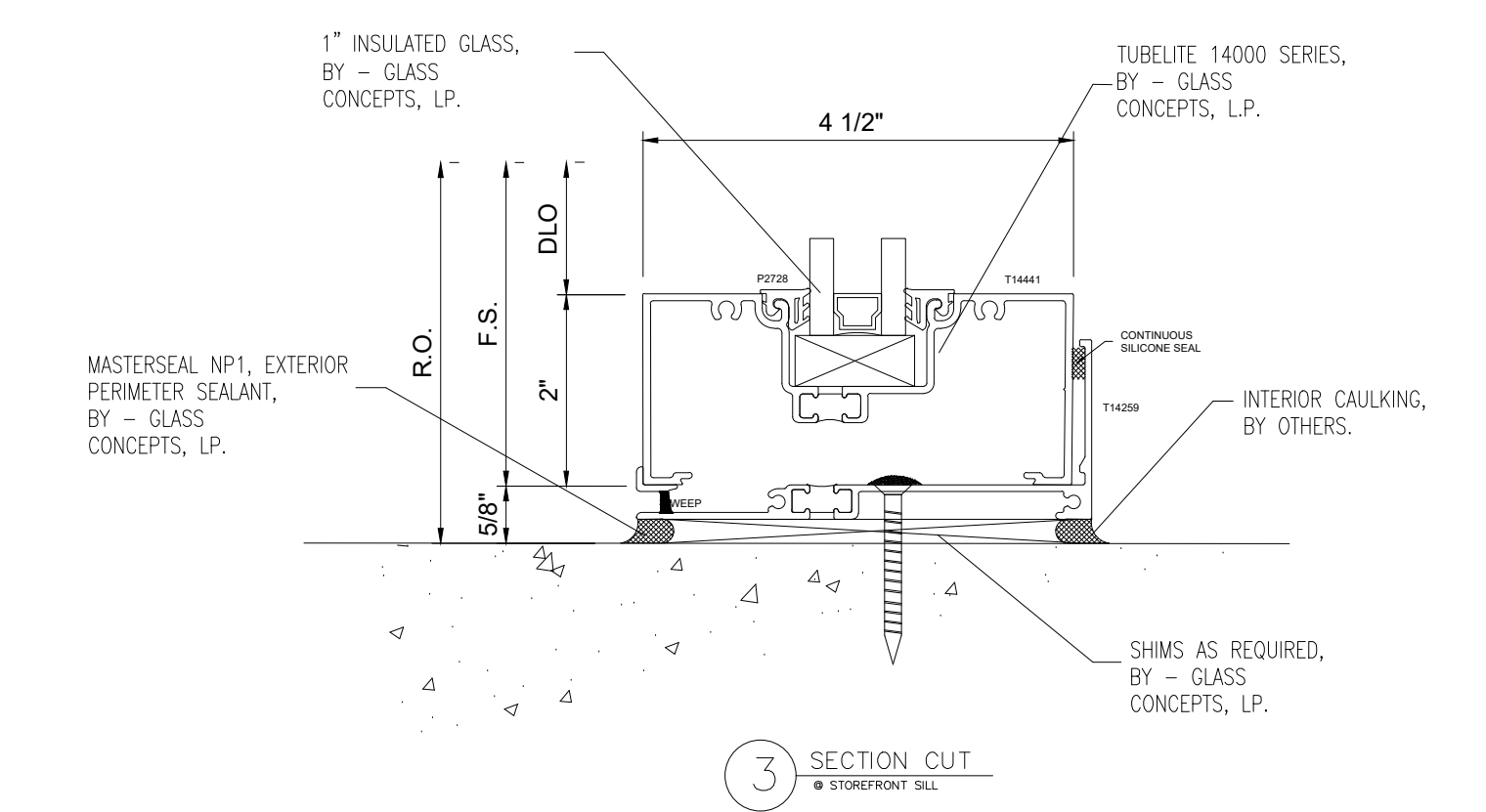
**2 SECTION CUT**  
 STOREFRONT HEAD

**3 NOT USED**

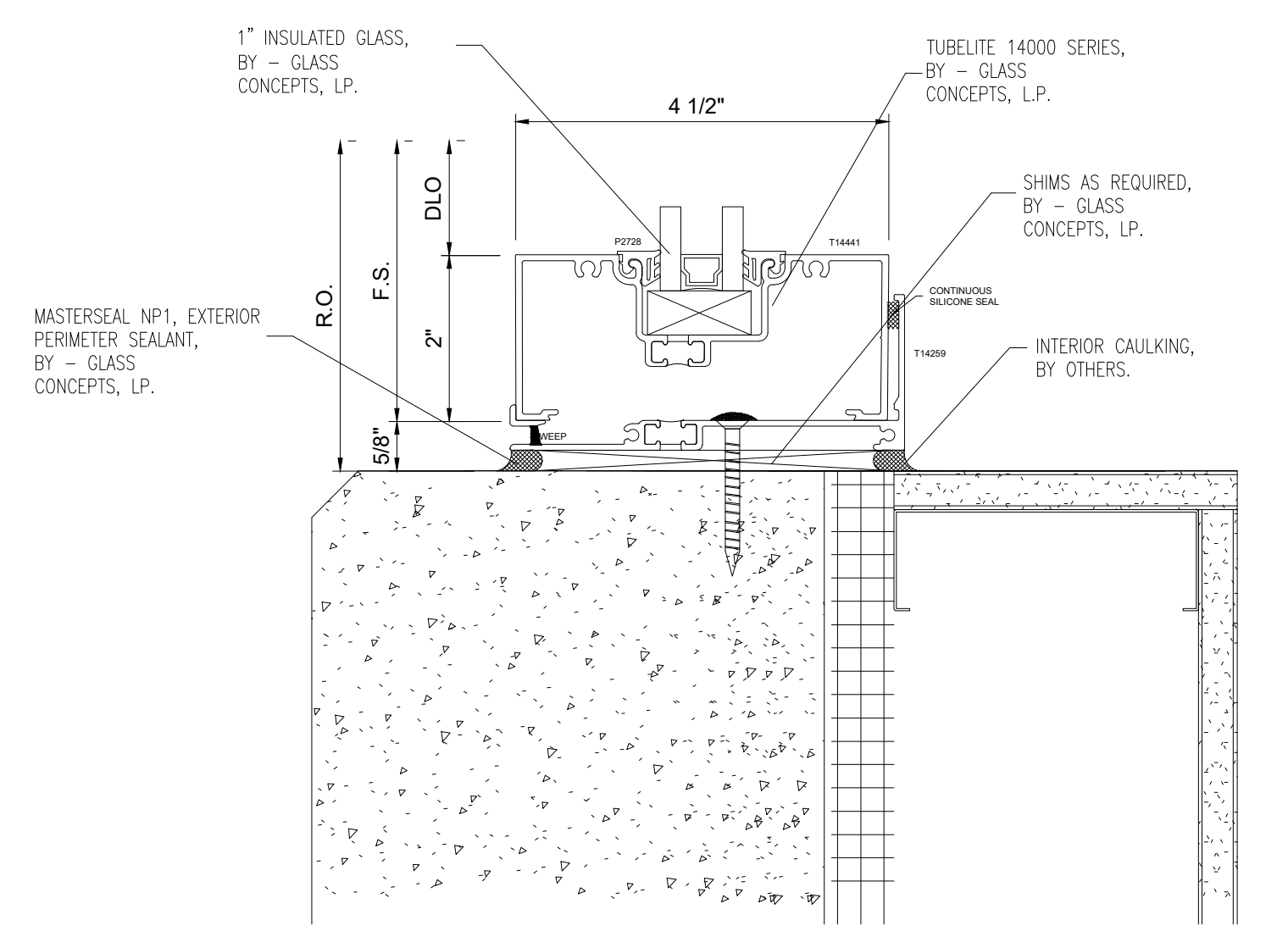
**5 NOT USED**



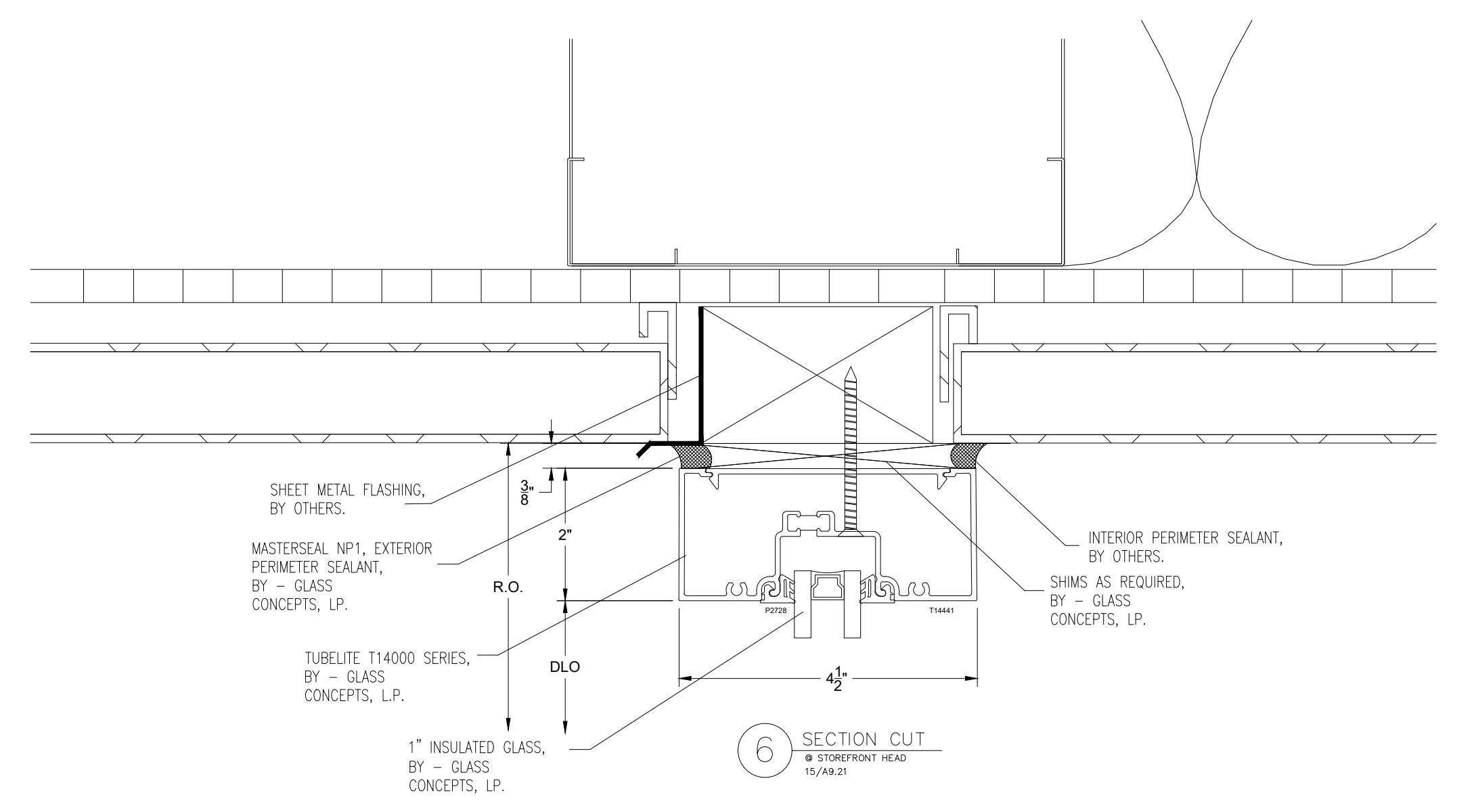
**6A SECTION CUT**  
 STOREFRONT HEAD



**3 SECTION CUT**  
 STOREFRONT SILL



**4 SECTION CUT**  
 STOREFRONT SILL  
 11/11/20

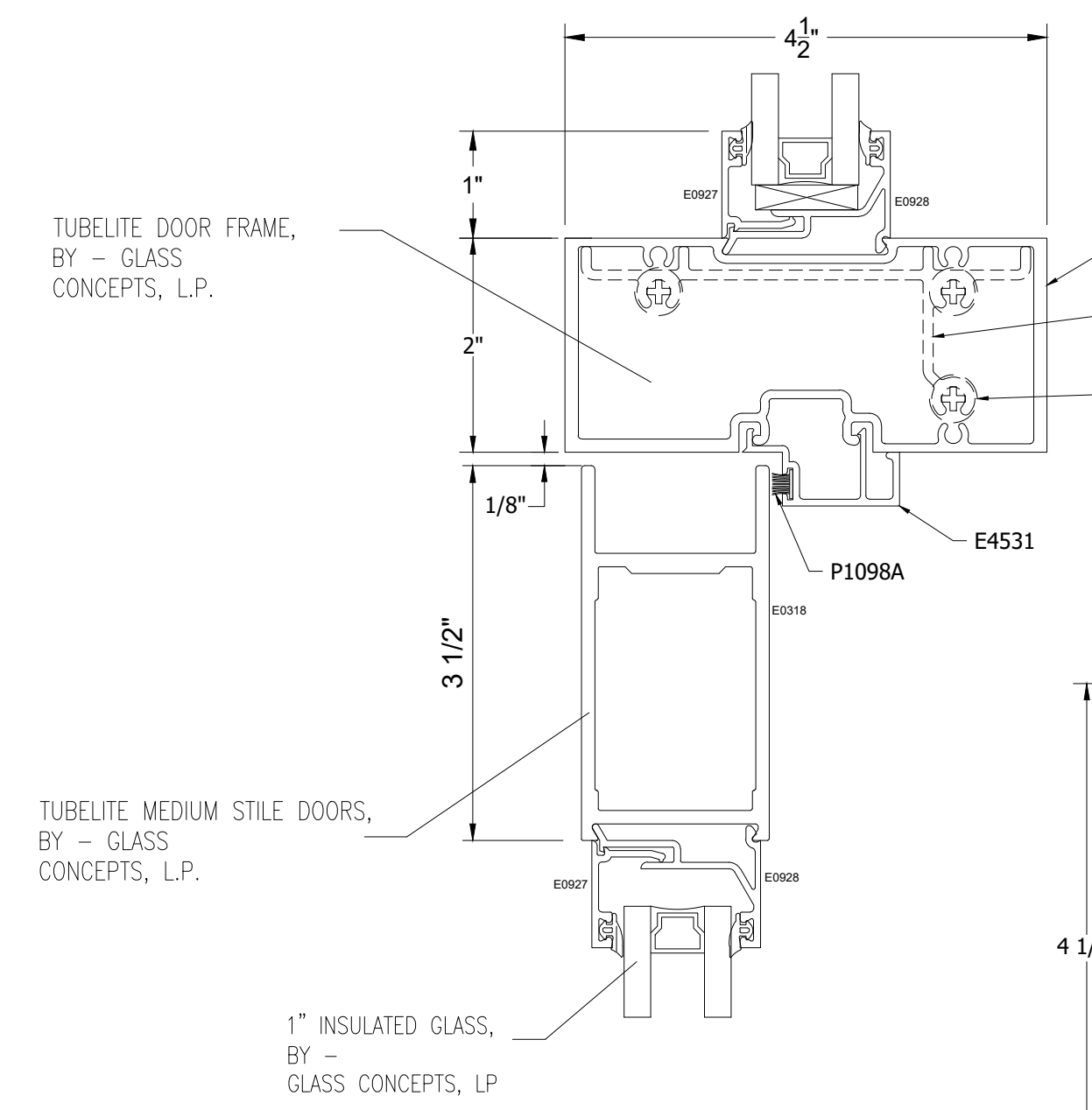


**6 SECTION CUT**  
 STOREFRONT HEAD  
 10/19/21

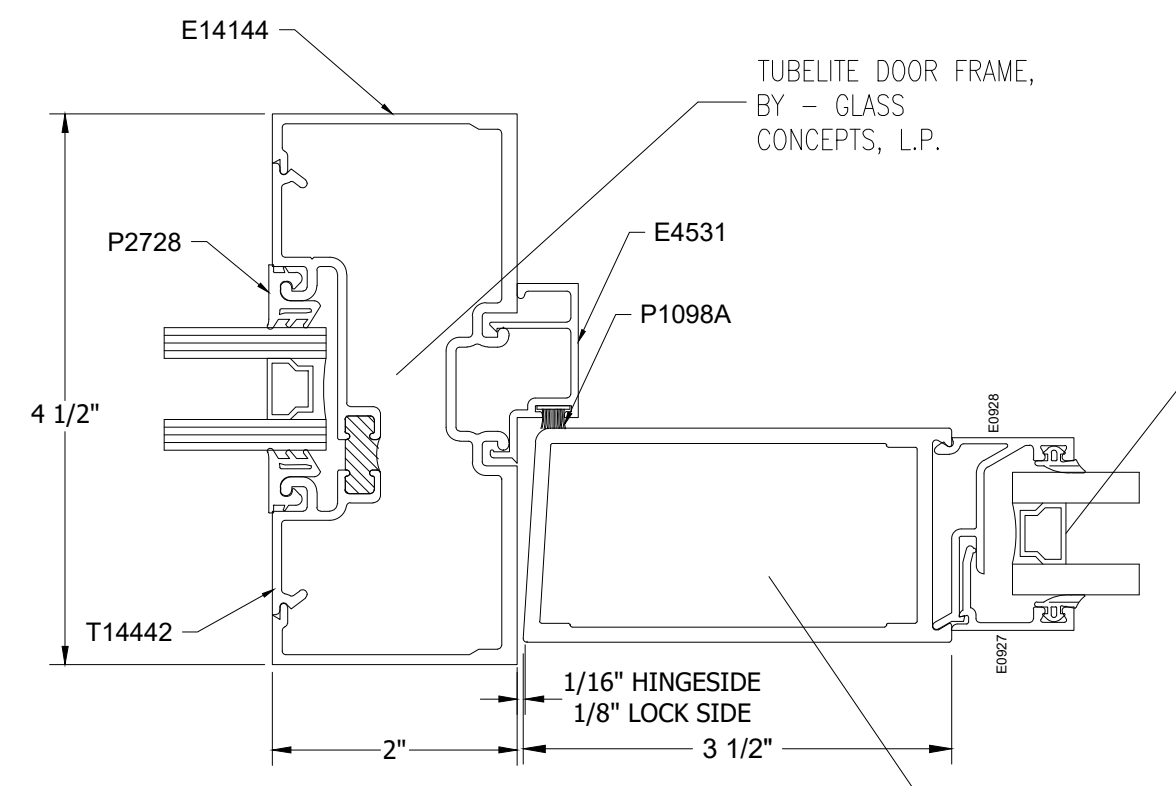
NO.	REVISION/ISSUED	DATE
1	1ST SUBMITTAL	01/06/2020

PROJECT NAME & LOCATION:  
**PRESTONWOOD NORTH CAMPUS  
 PHASE 3 EXPANSION  
 1001 WEST PROSPER TRAIL  
 DALLAS, TX 75078**

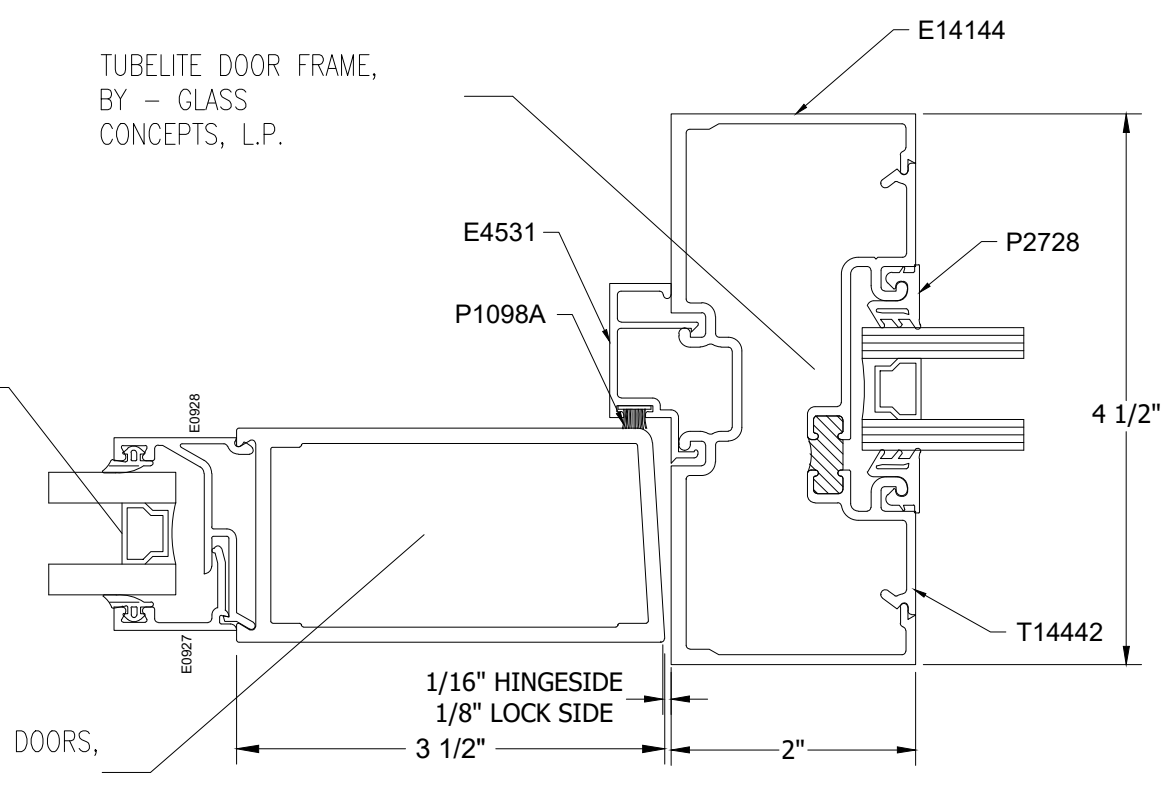
SHEET TITLE:  
**DETAILS**



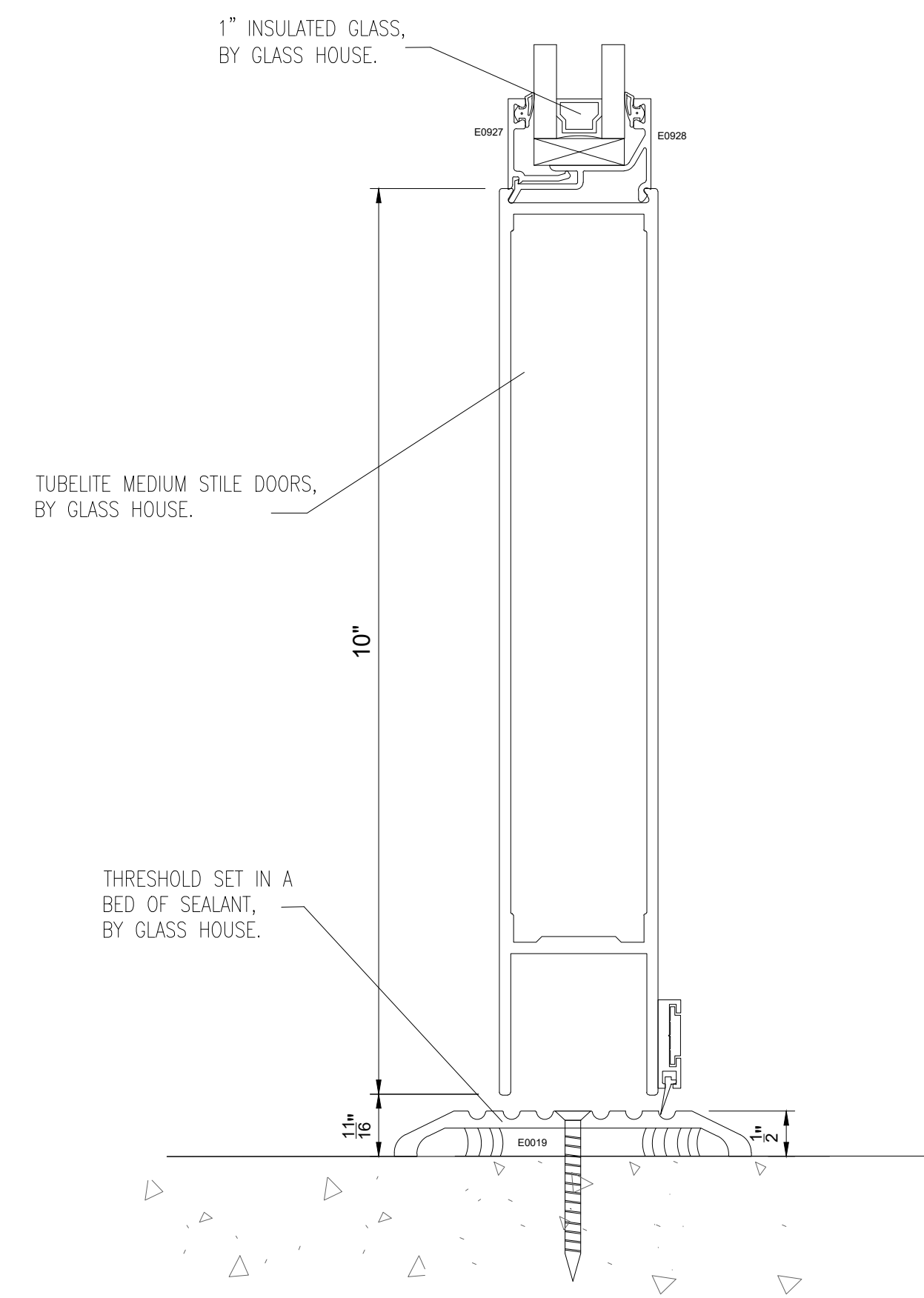
1 SECTION CUT  
 @ DOOR TOP RAIL



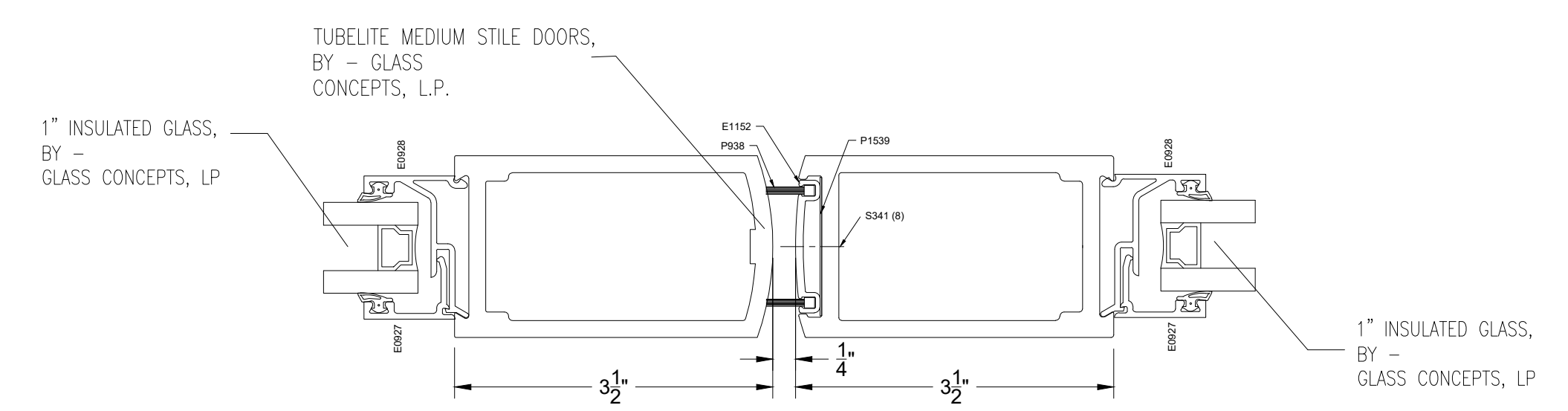
3 PLAN CUT  
 @ DOOR JAMB



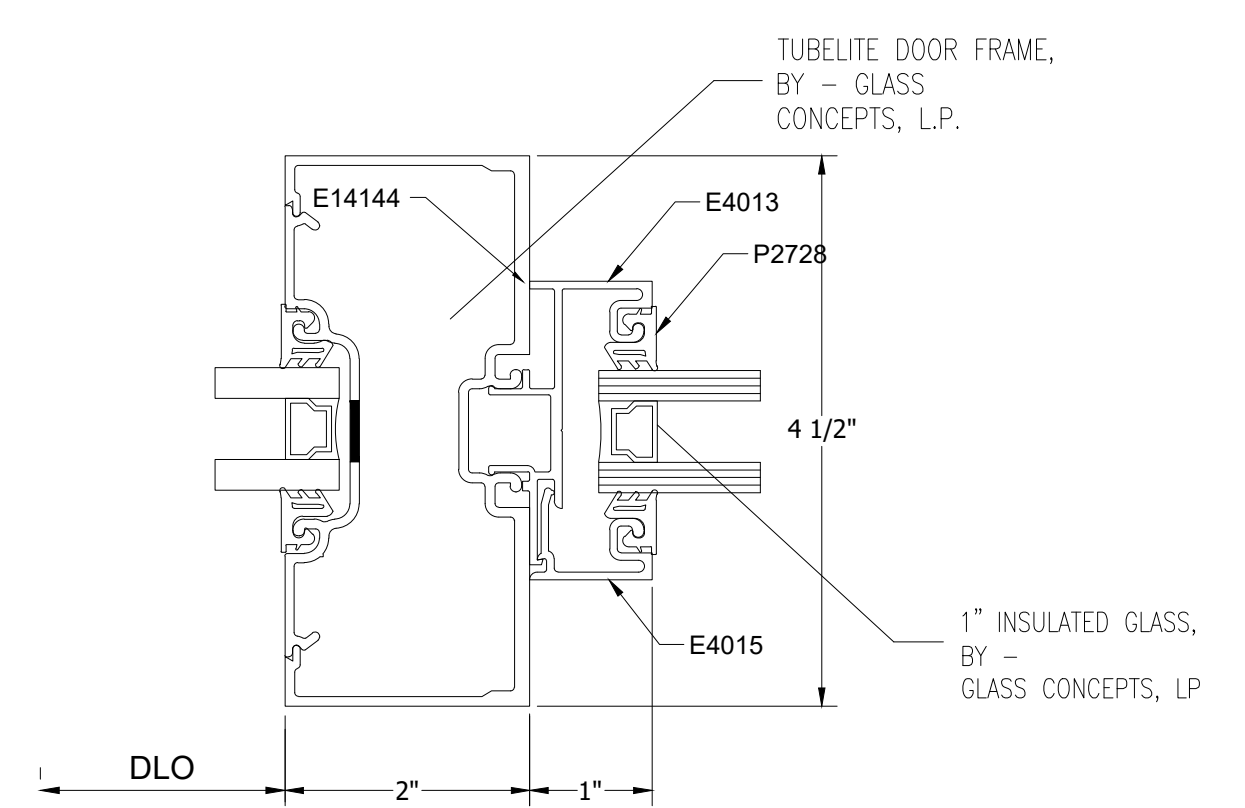
5 PLAN CUT  
 @ DOOR JAMB



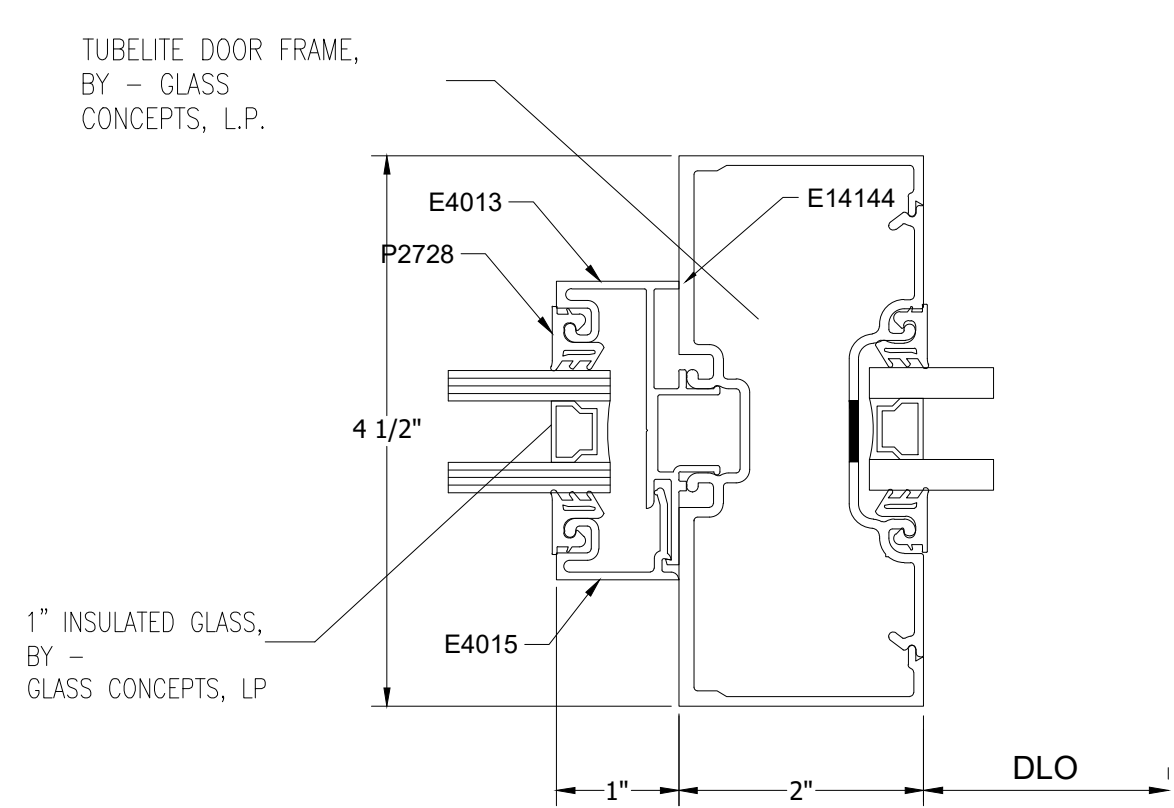
2 SECTION CUT  
 @ DOOR BOTTOM RAIL



4 PLAN VIEW  
 @ MEETING OF STOREFRONT DOORS



6 PLAN VIEW  
 @ TRANSOM JAMB



7 PLAN VIEW  
 @ TRANSOM JAMB

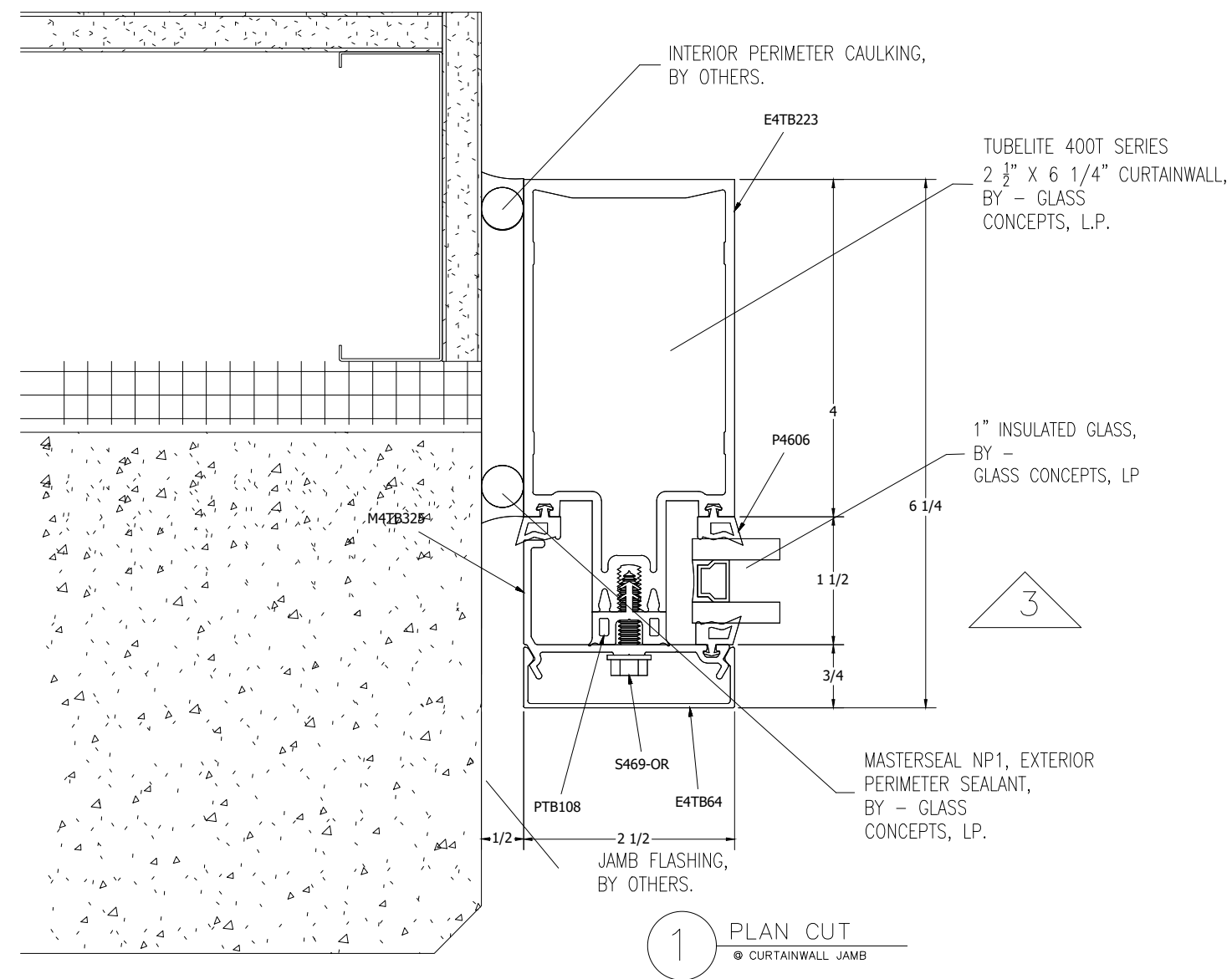
DRAWN BY:  
 KS DRAFTING & DESIGN, LLC  
 KYLE SCHNECK  
 HARRISBURG, PA 17110  
 KYLE@KSDRAFTINGDESIGNLLC.COM  
 717-228-7114  
 KSDRAFTINGDESIGNLLC.COM

DRAWN BY:  
**BRIAN GANOE**

CHECKED BY:  
**KYLE SCHNECK**

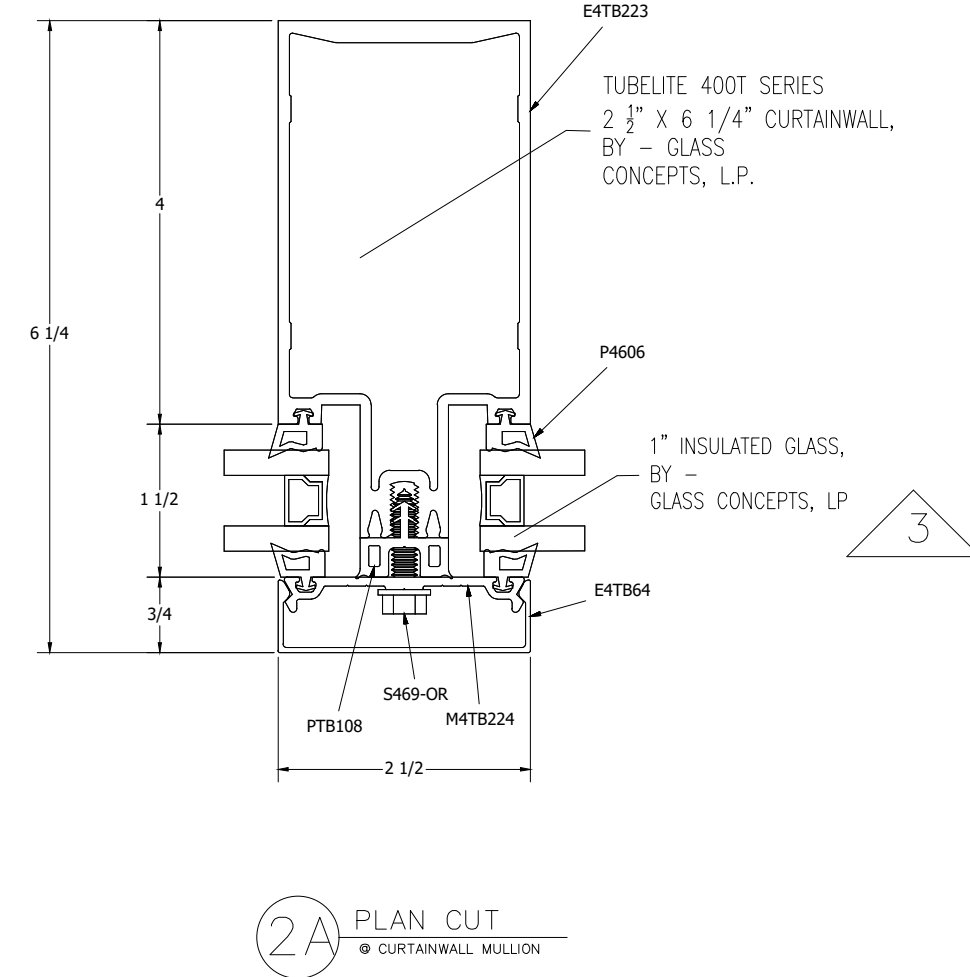
DATE:  
**01/06/2020**

SHEET:  
**402**

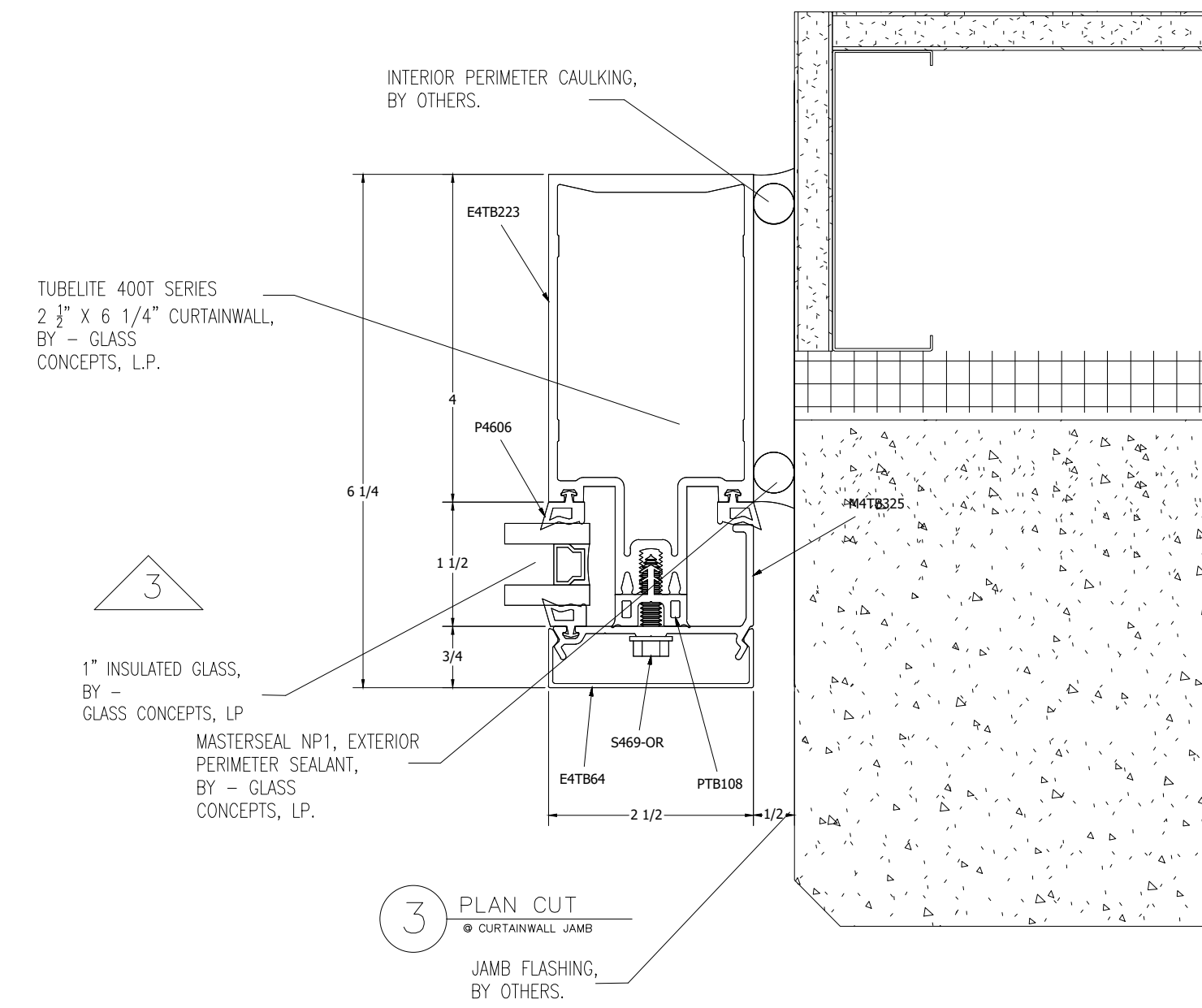


1 PLAN CUT @ CURTAINWALL JAMB

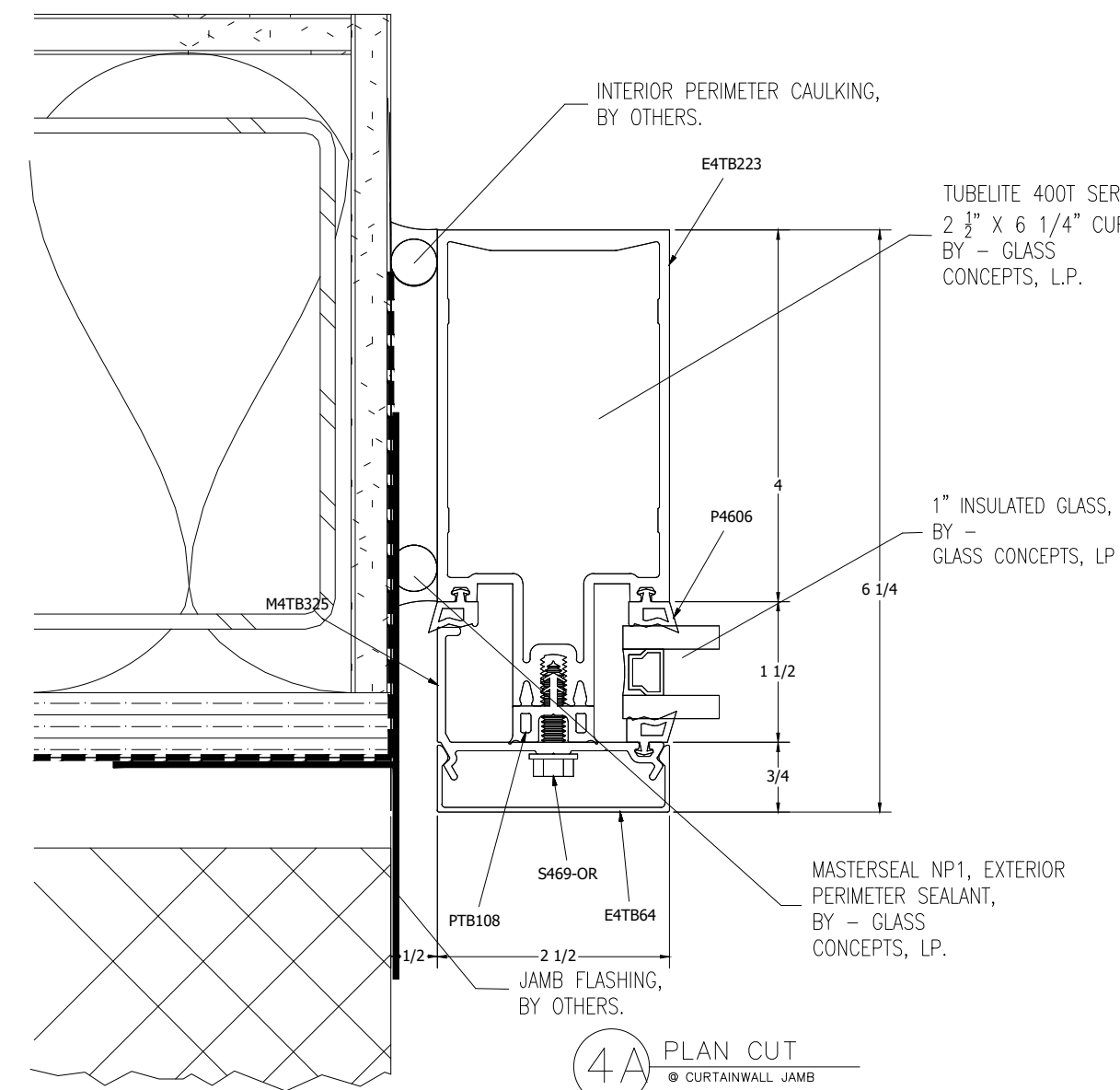
2 NOT USED



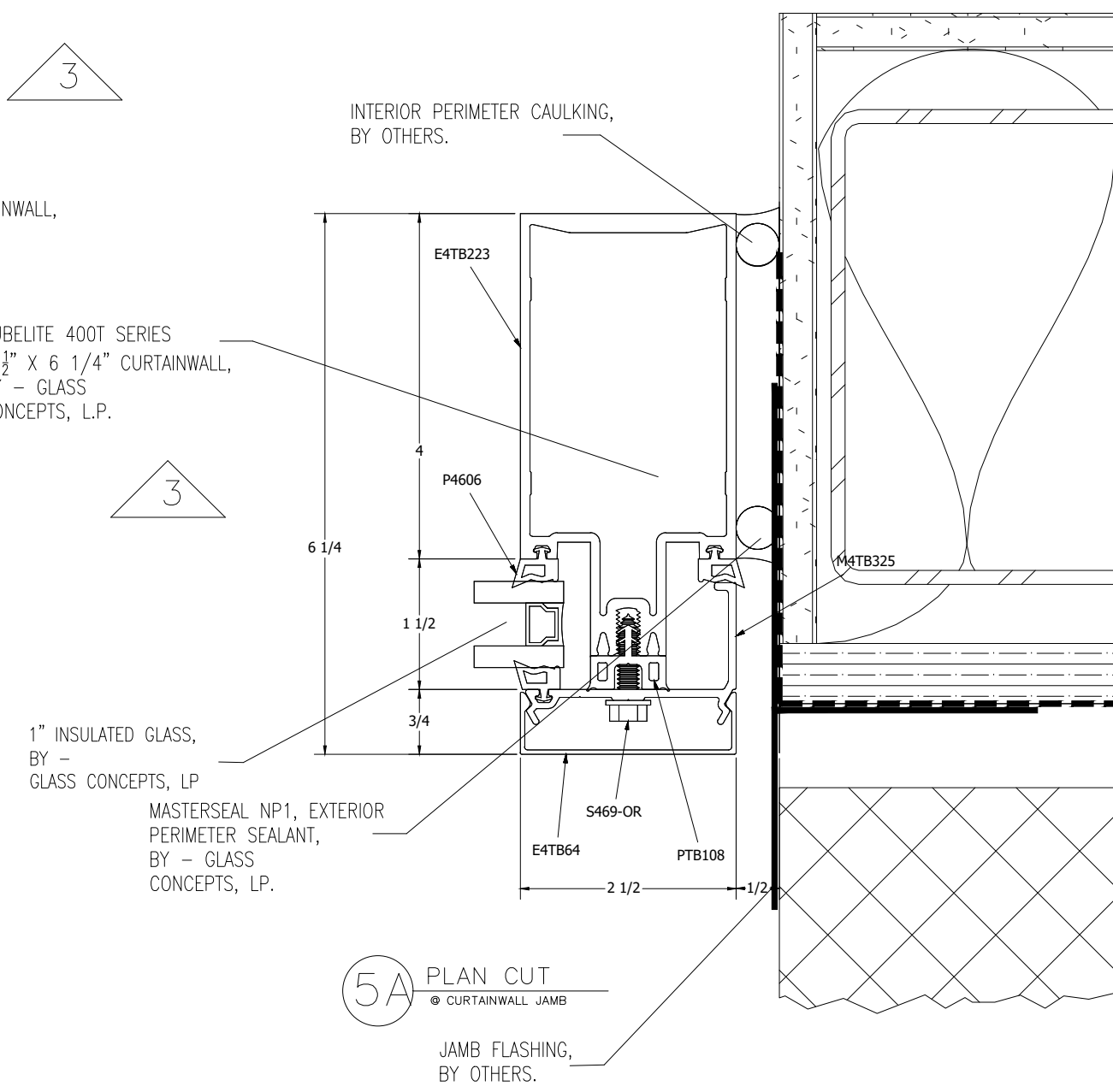
2A PLAN CUT @ CURTAINWALL MULLION



3 PLAN CUT @ CURTAINWALL JAMB



4A PLAN CUT @ CURTAINWALL JAMB



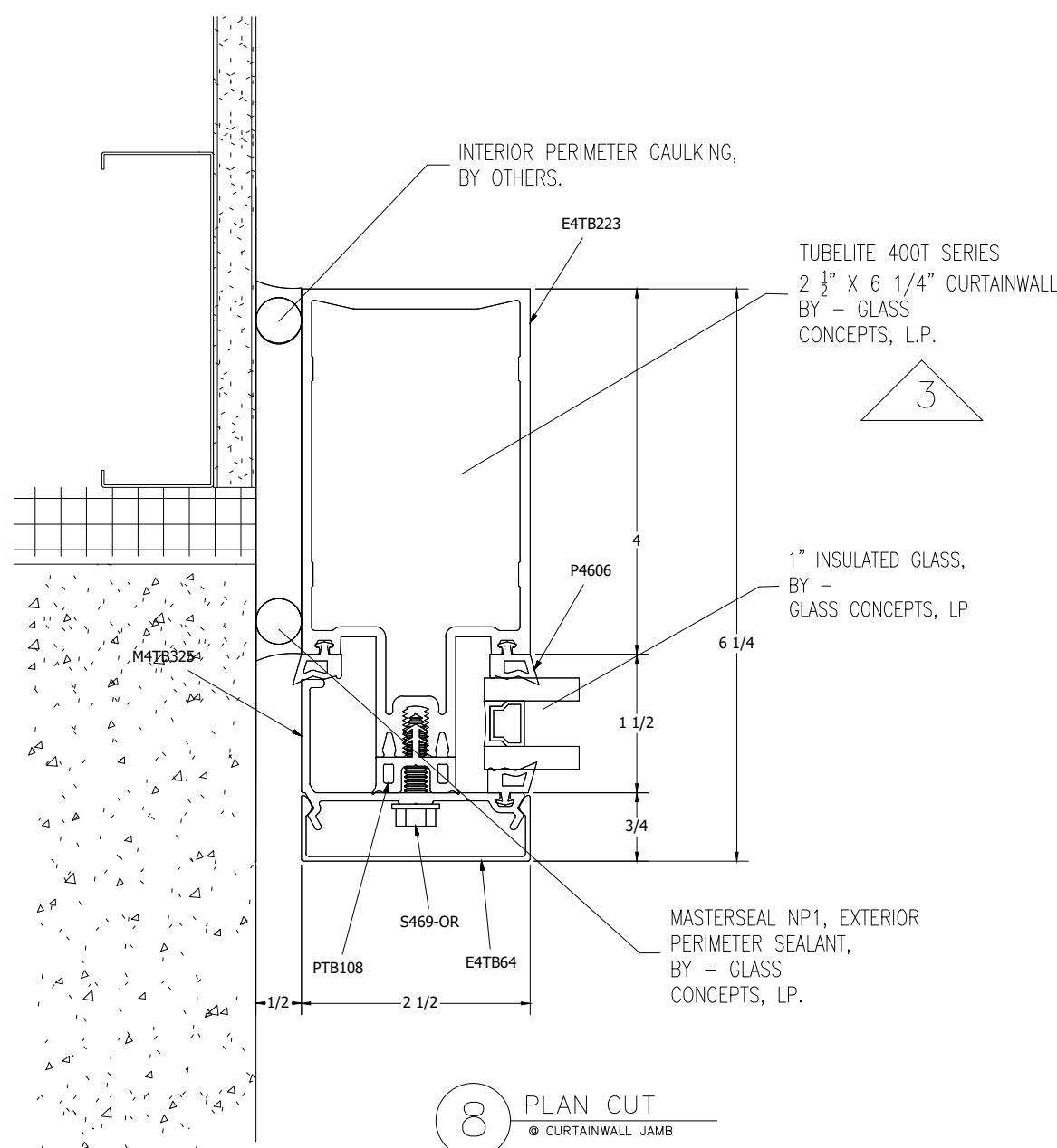
5A PLAN CUT @ CURTAINWALL JAMB

3 NOT USED

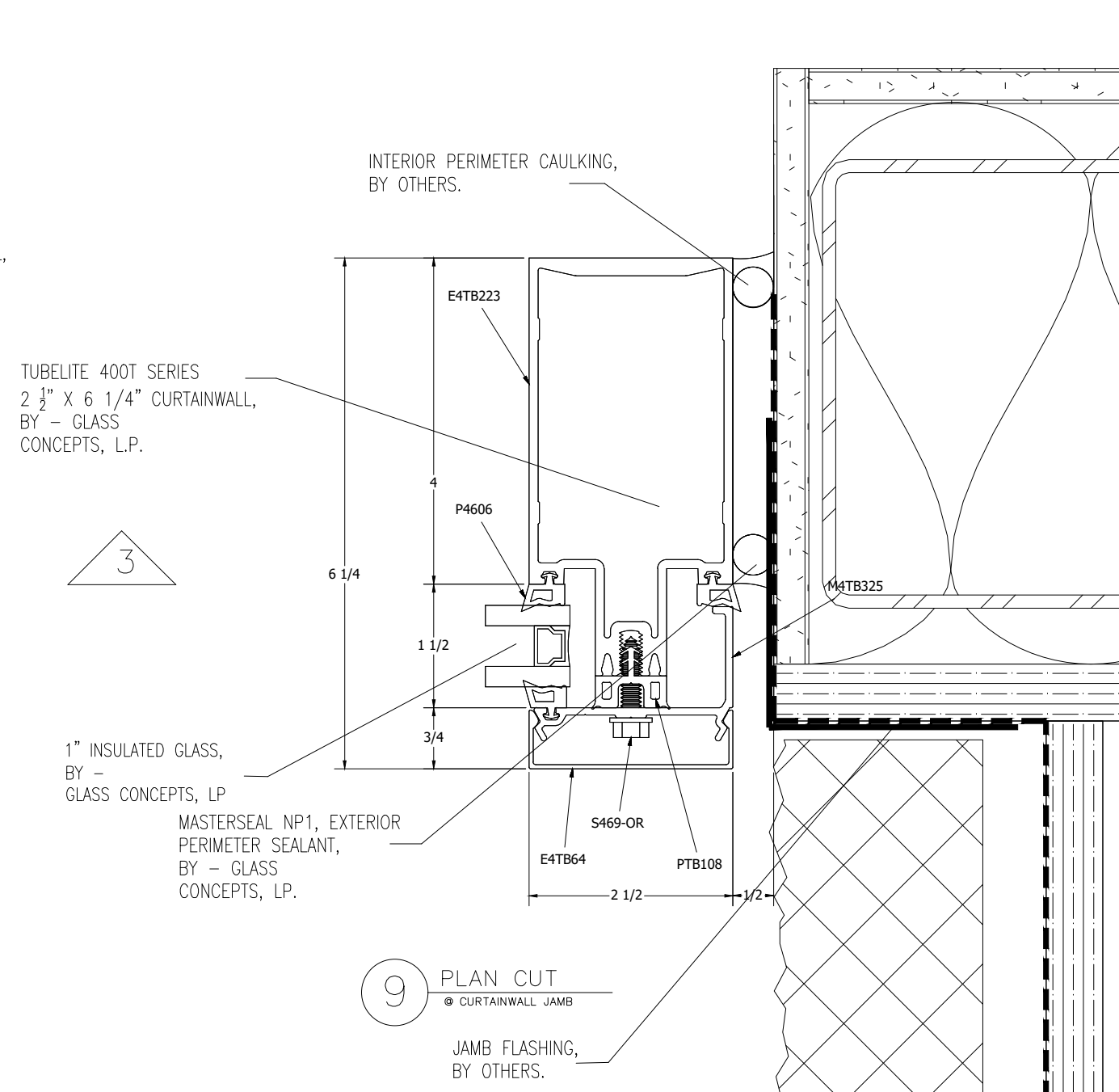
5 NOT USED

3 NOT USED

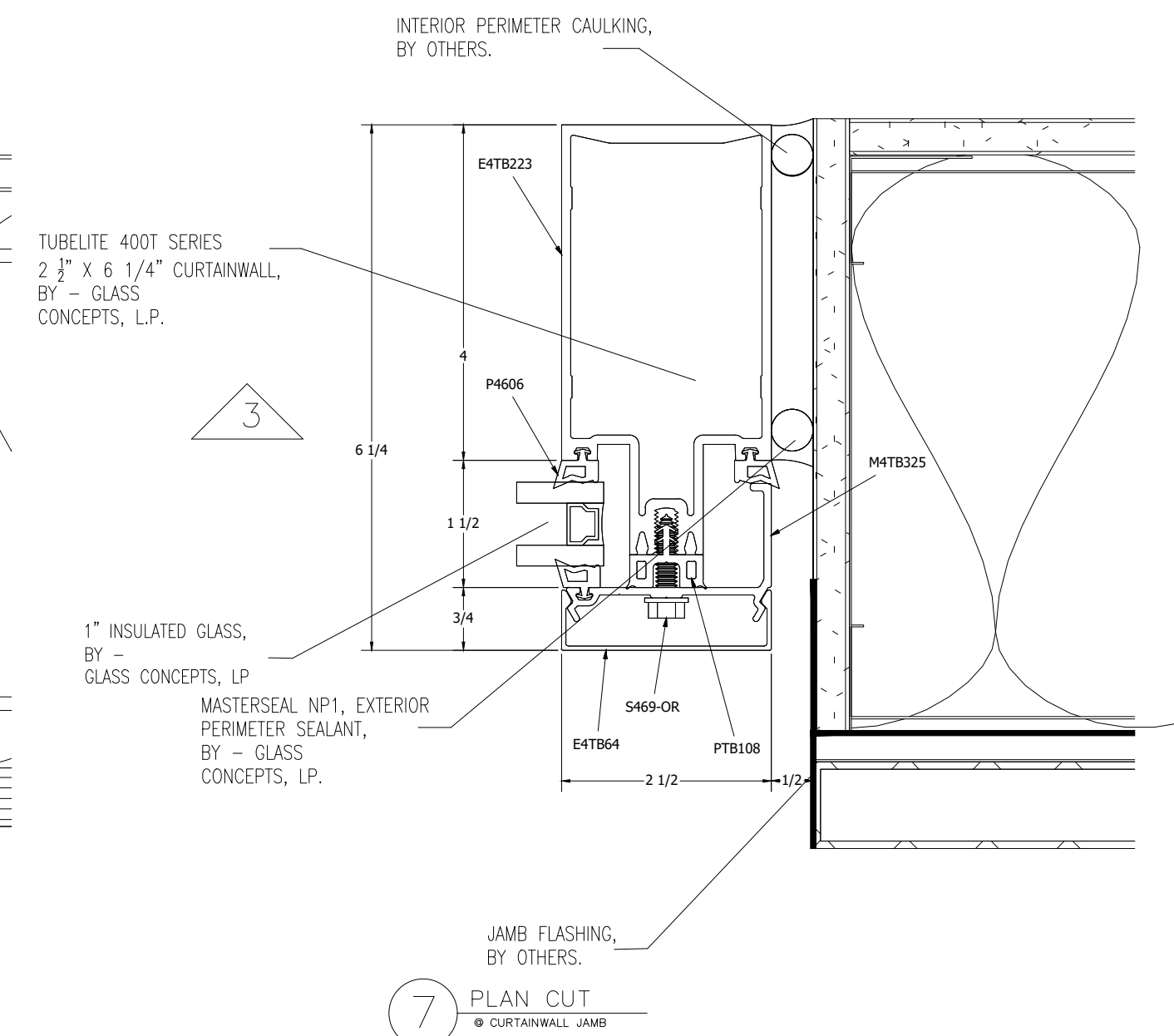
4 NOT USED



8 PLAN CUT @ CURTAINWALL JAMB



9 PLAN CUT @ CURTAINWALL JAMB



7 PLAN CUT @ CURTAINWALL JAMB

3 NOT USED

6 NOT USED

NO.	REVISION/ISSUED	DATE
1	1ST SUBMITTAL	01/06/2020
3	PER COMMENTS	02/05/2020

PROJECT NAME & LOCATION:  
 PRESTONWOOD NORTH CAMPUS  
 PHASE 3 EXPANSION  
 1001 WEST PROSPER TRAIL  
 DALLAS, TX 75078

SHEET TITLE:  
**DETAILS**

DRAWN BY:  
 KS DRAFTING & DESIGN, LLC  
 KYLE SCHNECK  
 HARRISBURG, PA 17110  
 KYLE@KSDRAFTINGDESIGNLLC.COM  
 717-228-7114  
 KSDRAFTINGDESIGNLLC.COM

DRAWN BY:  
**BRIAN GANOE**

CHECKED BY:  
**KYLE SCHNECK**

DATE:  
**02/05/2020**

SHEET:  
**403**



NO.	REVISION/ISSUED	DATE
1	1ST SUBMITTAL	01/06/2020
3	PER COMMENTS	02/05/2020

PROJECT NAME & LOCATION:  
 PRESTONWOOD NORTH CAMPUS  
 PHASE 3 EXPANSION  
 1001 WEST PROSPER TRAIL  
 DALLAS, TX 75078

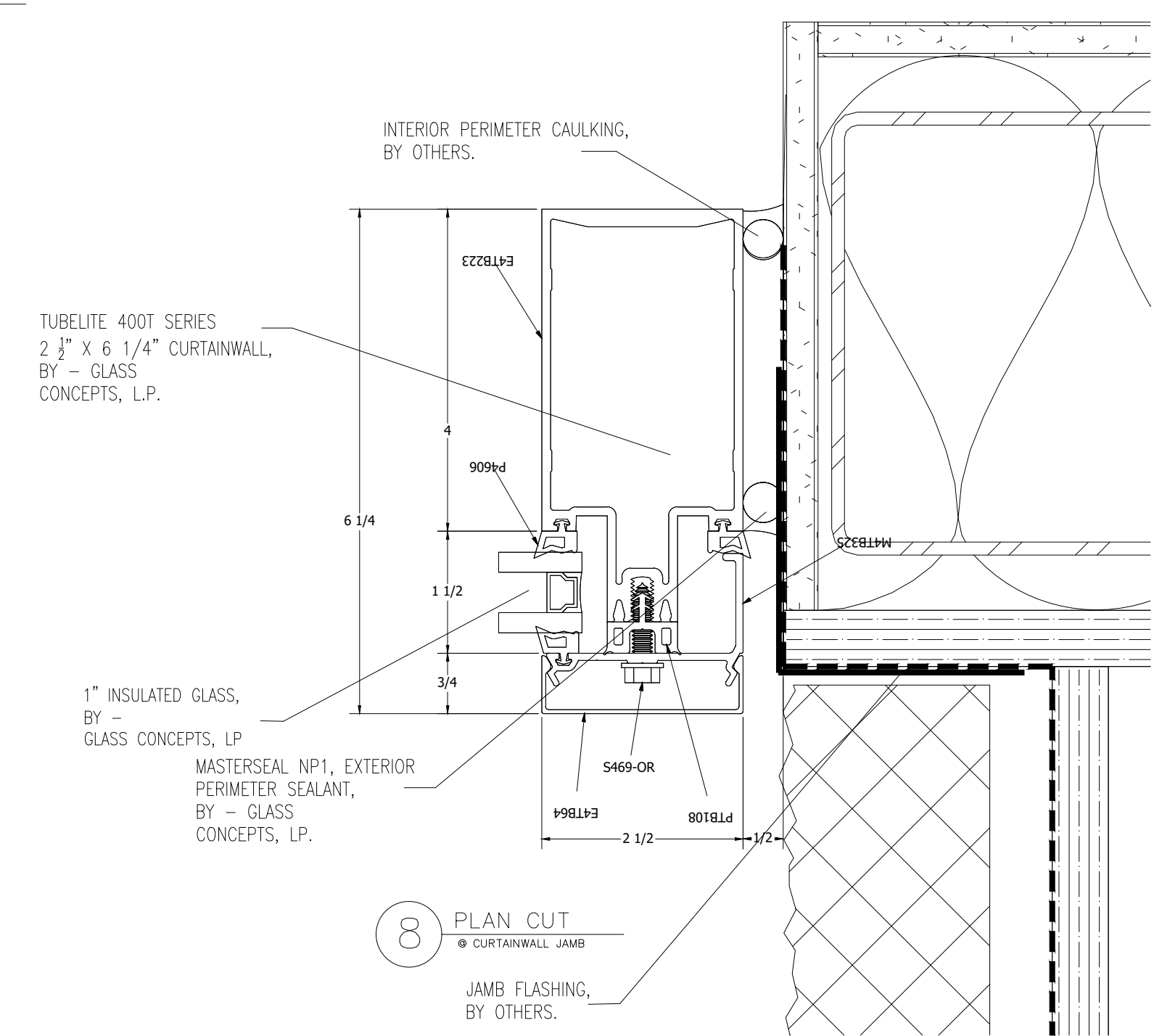
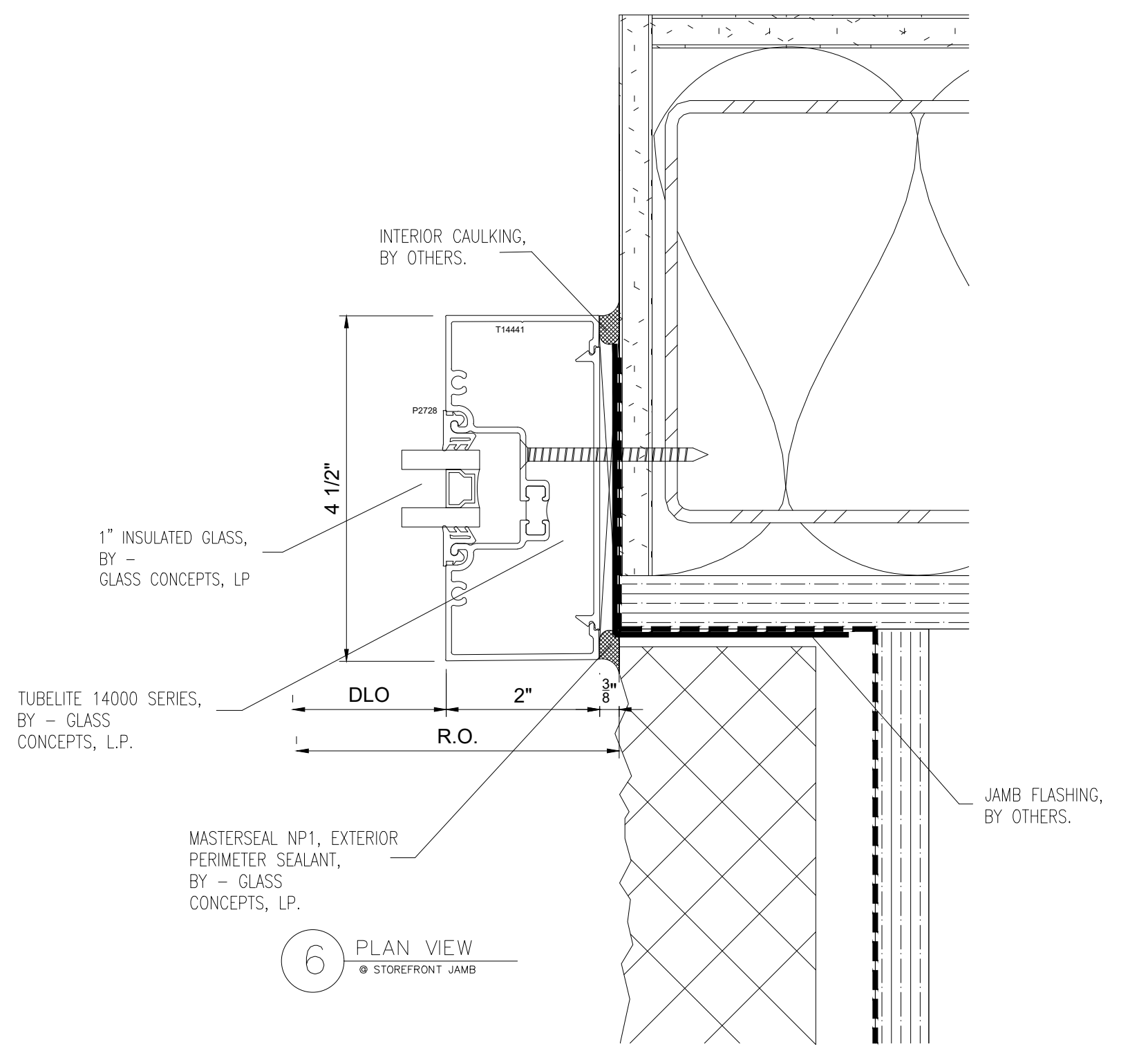
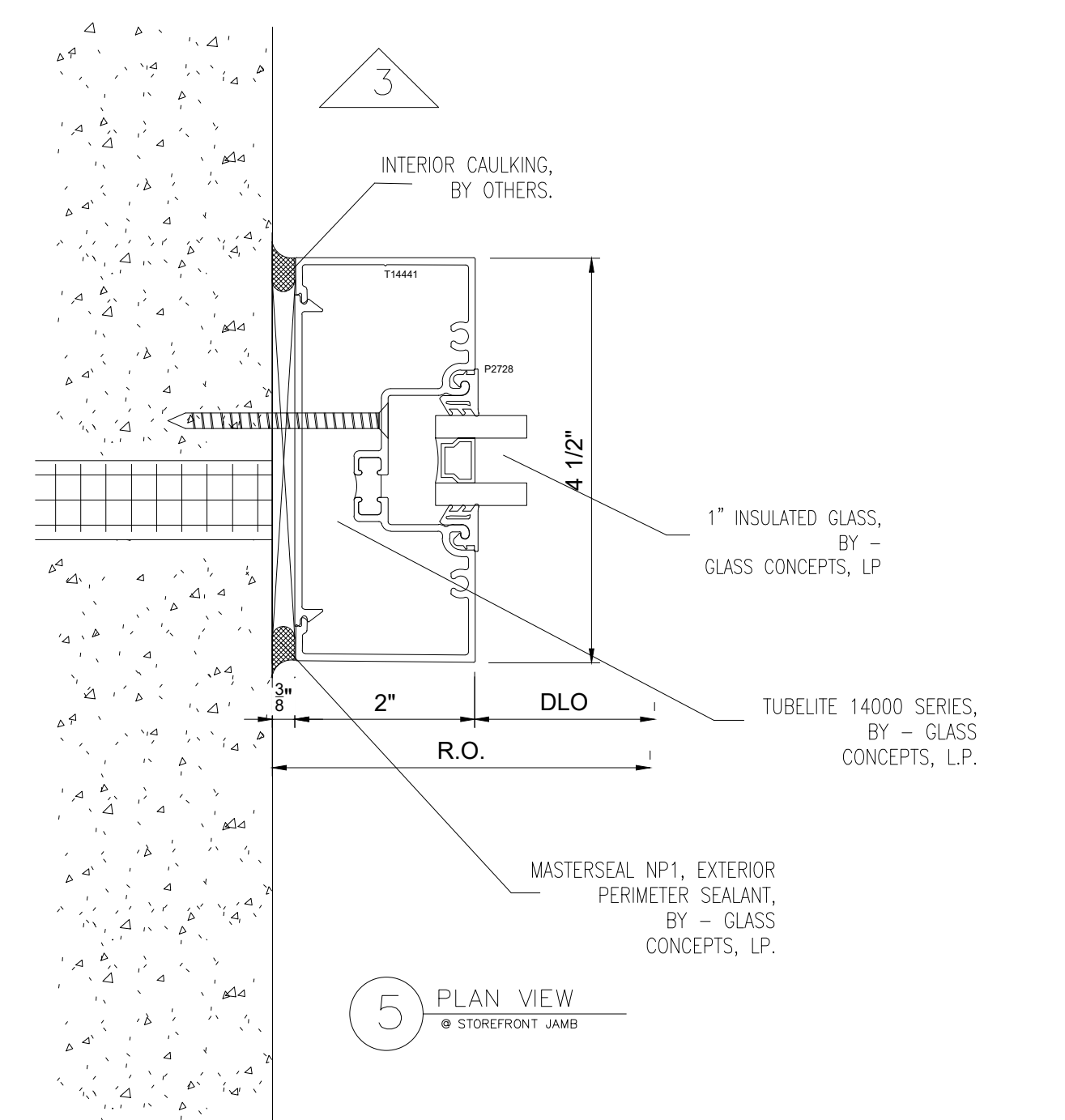
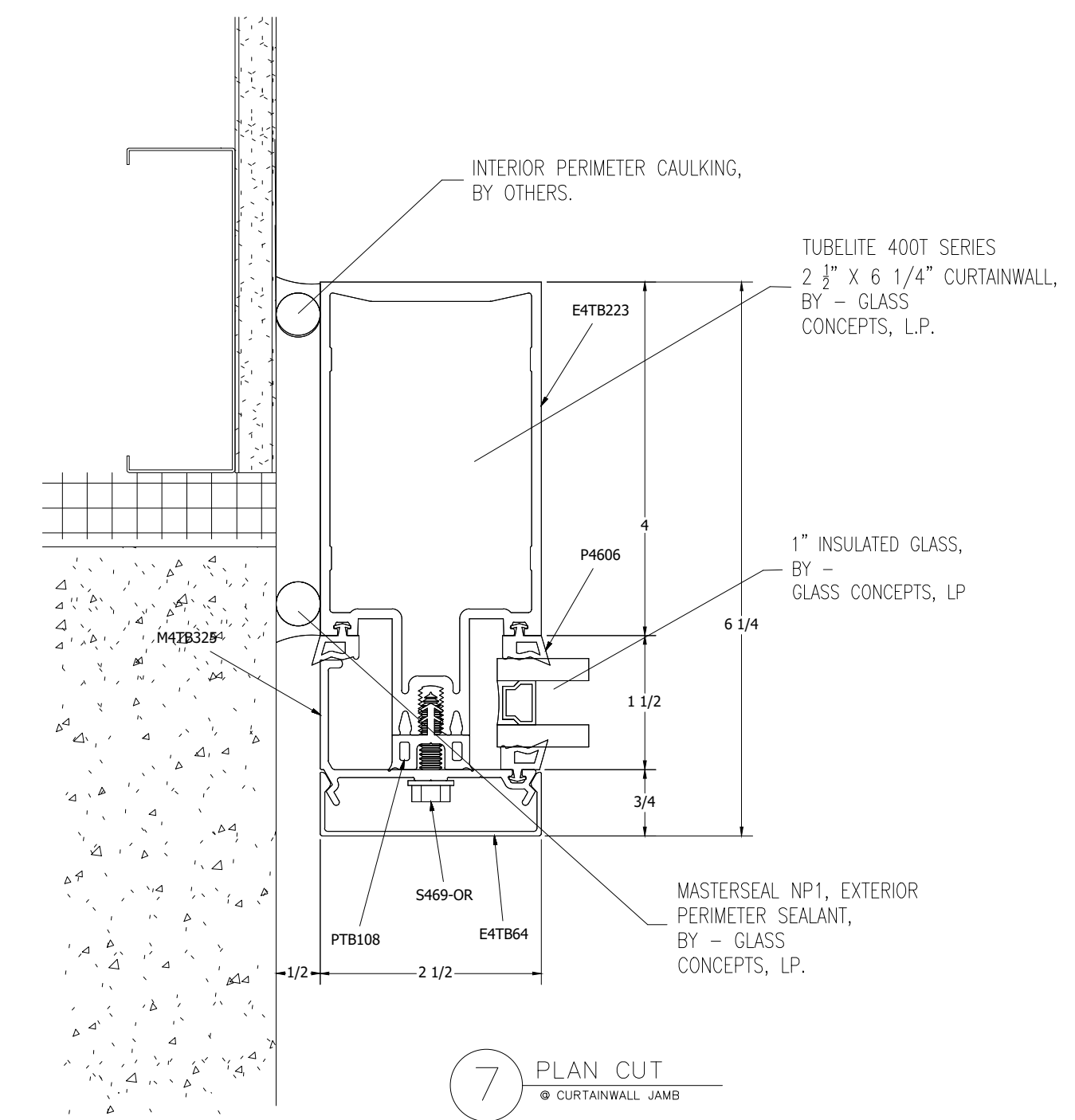
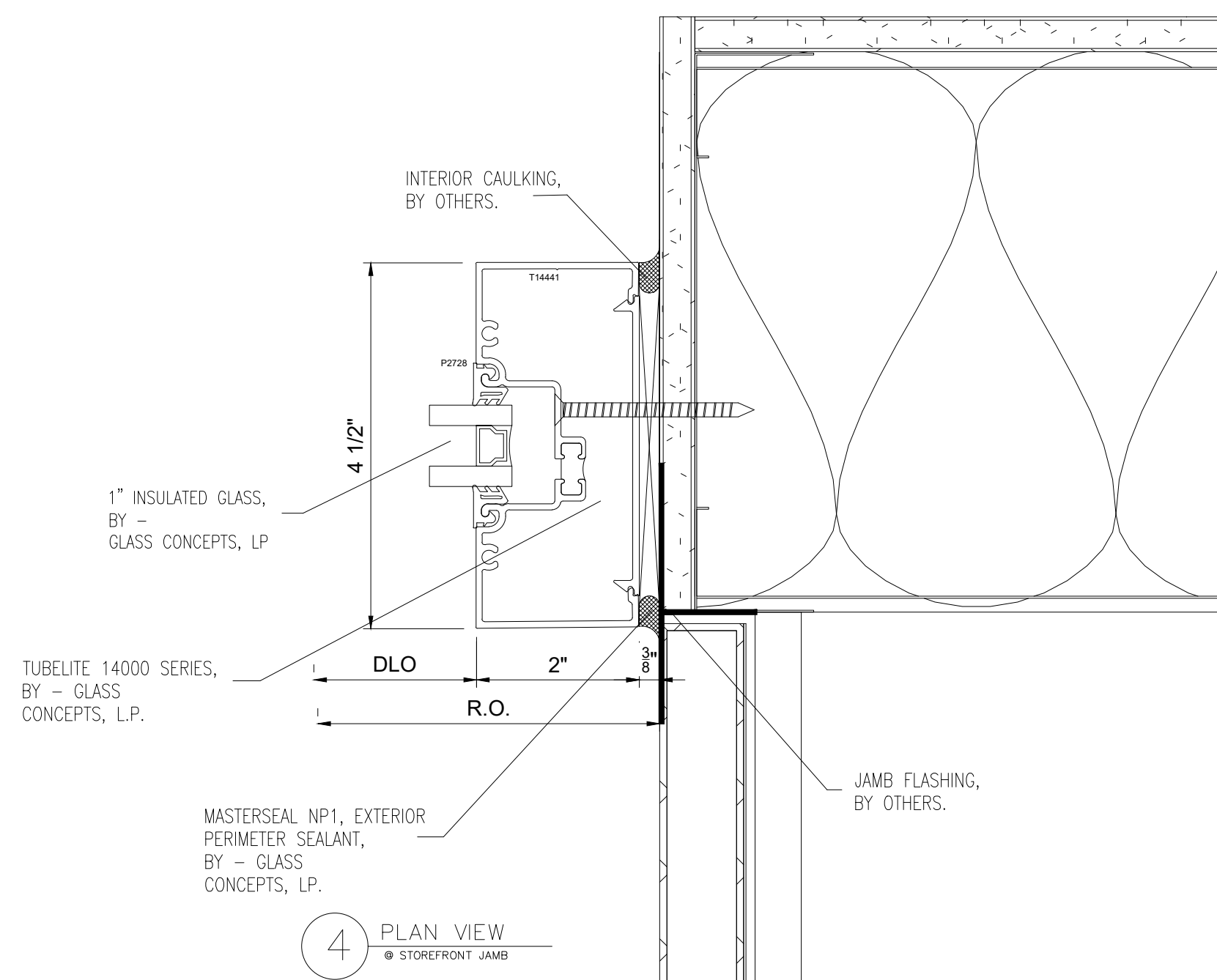
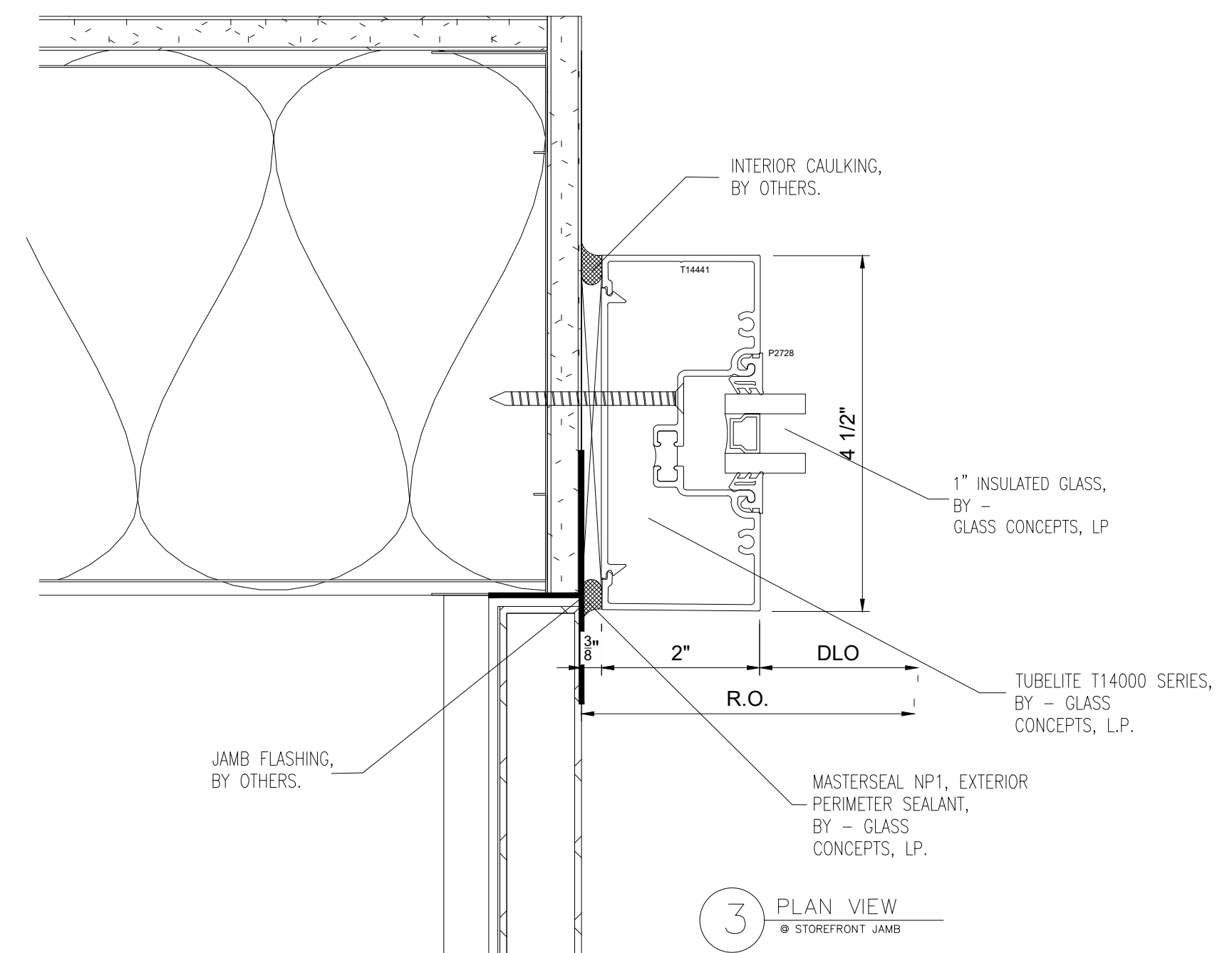
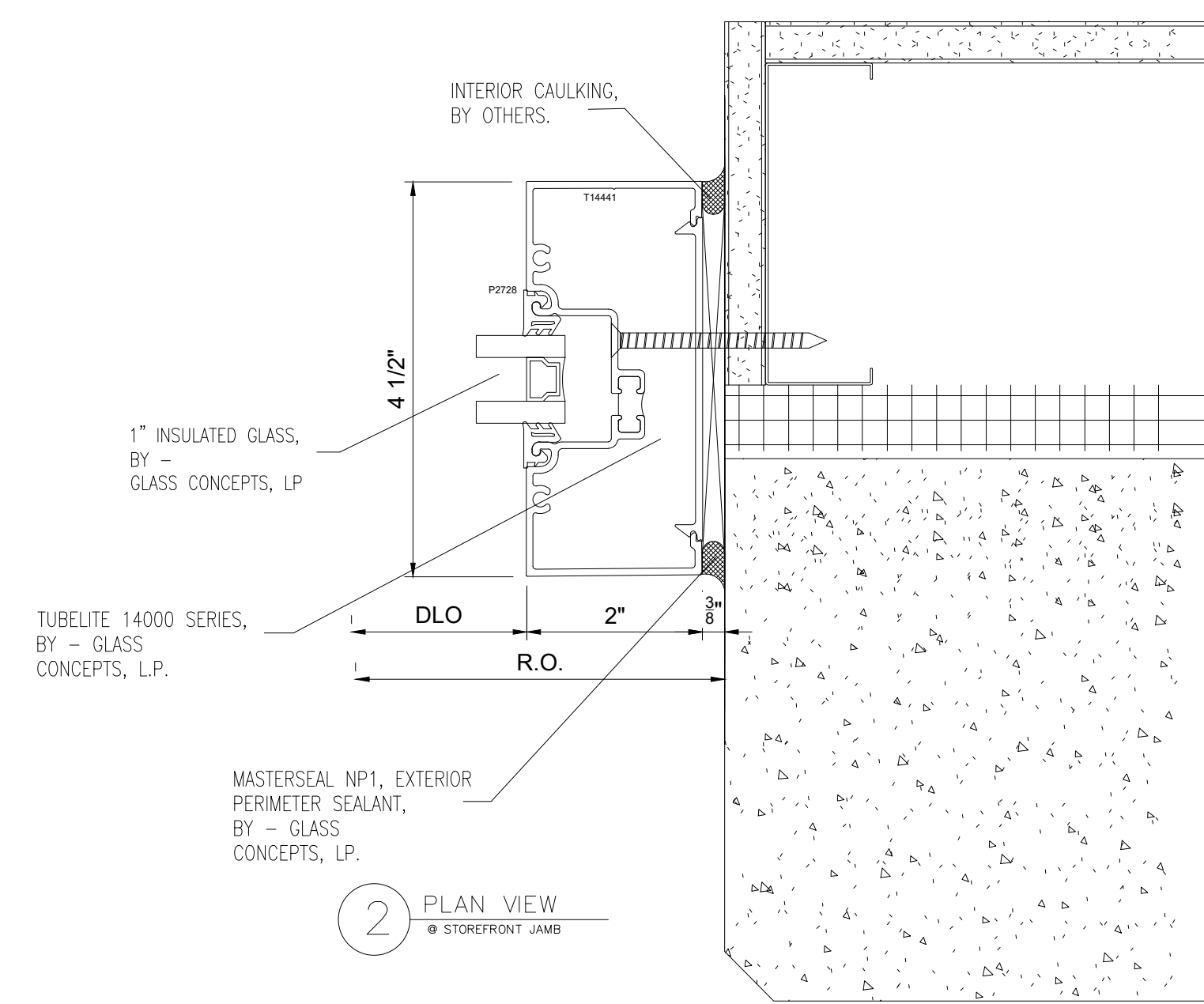
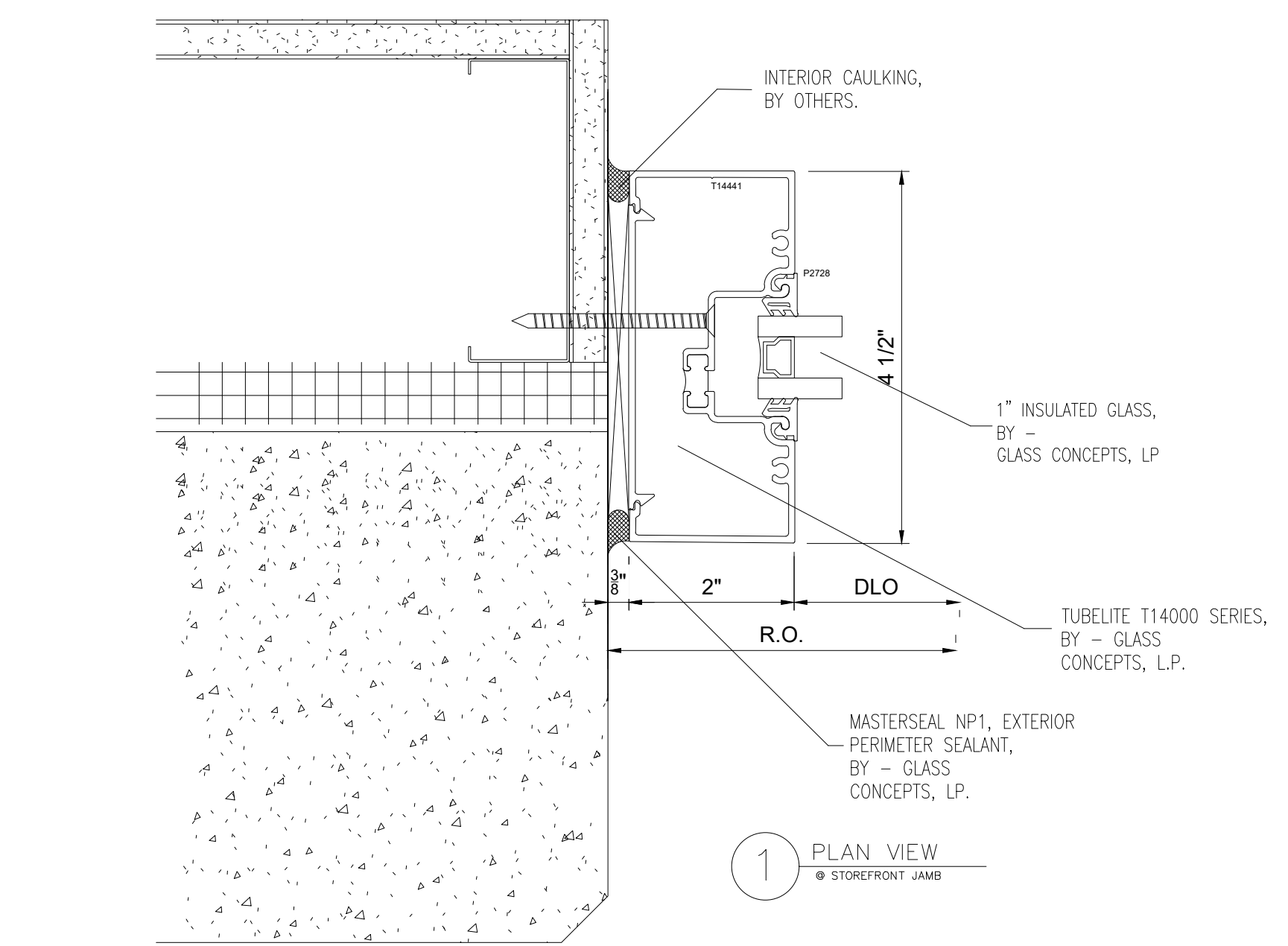
SHEET TITLE:  
**DETAILS**

DRAWN BY:

KS DRAFTING & DESIGN, LLC  
 KYLE SCHNECK  
 HARRISBURG, PA 17110  
 KYLE@KSDRAFTINGDESIGNLLC.COM  
 717-228-7114  
 KSDRAFTINGDESIGNLLC.COM

DRAWN BY:  
**BRIAN GANOE**  
 CHECKED BY:  
**KYLE SCHNECK**  
 DATE:  
**02/05/2020**

SHEET:  
**404**



NO.	REVISION/ISSUED	DATE
1	1ST SUBMITTAL	01/06/2020
3	PER COMMENTS	02/05/2020

PROJECT NAME & LOCATION:  
**PRESTONWOOD NORTH CAMPUS  
 PHASE 3 EXPANSION  
 1001 WEST PROSPER TRAIL  
 DALLAS, TX 75078**

SHEET TITLE:  
**DETAILS**

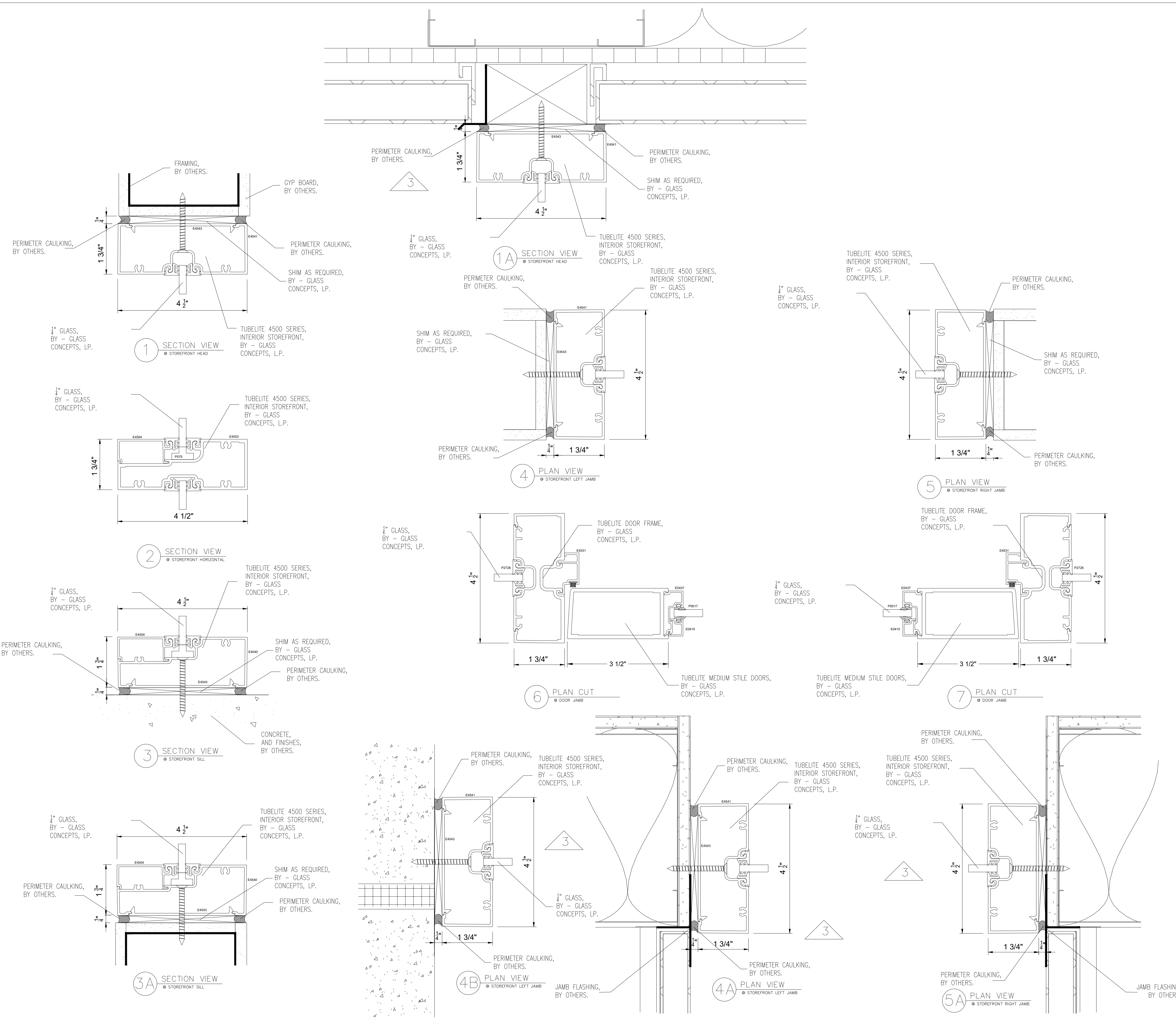
DRAWN BY:  
 KS DRAFTING & DESIGN, LLC  
 KYLE SCHNECK  
 HARRISBURG, PA 17110  
 KYLE@KSDRAFTINGDESIGNLLC.COM  
 717-228-7114  
 KSDRAFTINGDESIGNLLC.COM

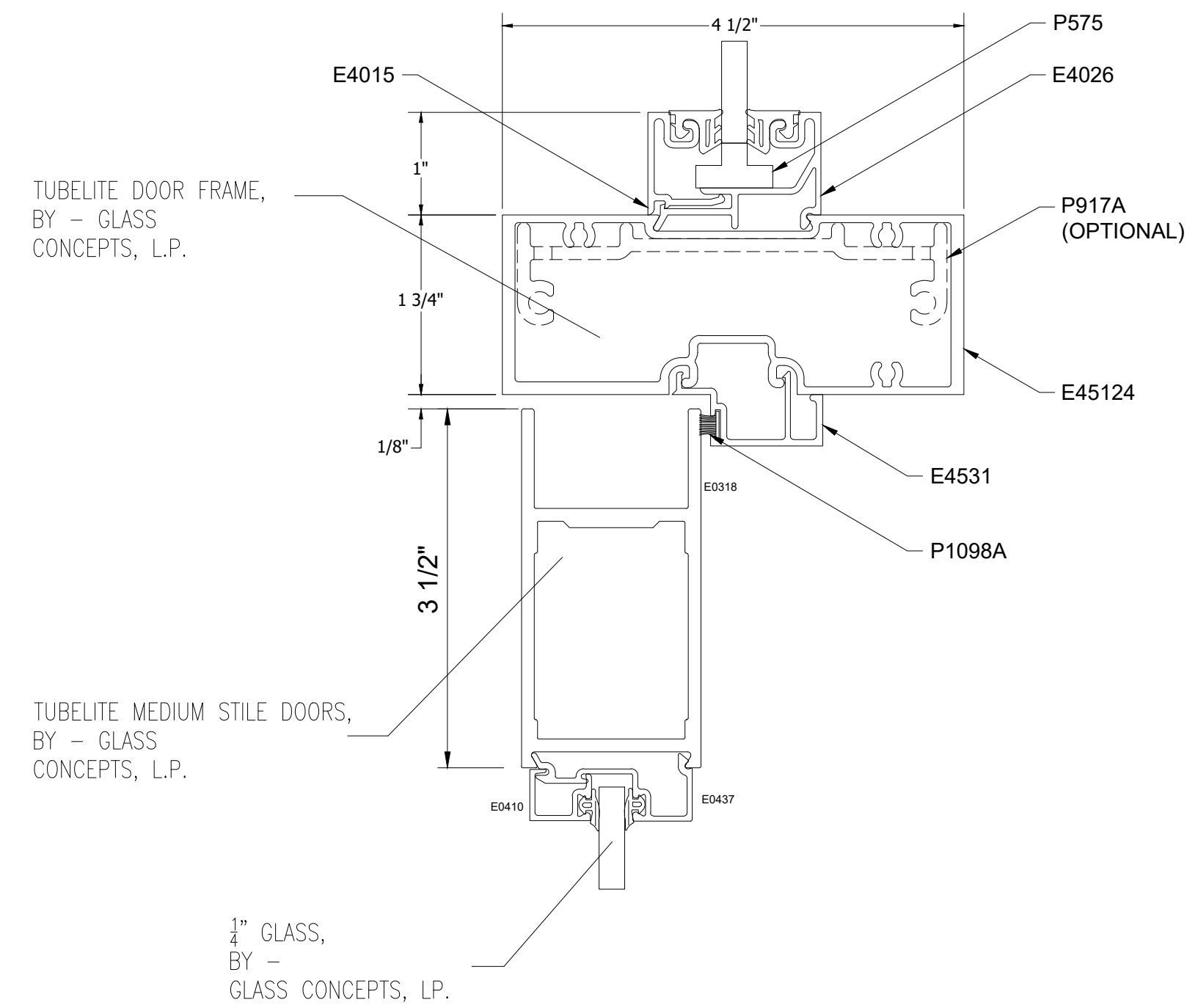
DRAWN BY:  
**BRIAN GANOE**

CHECKED BY:  
**KYLE SCHNECK**

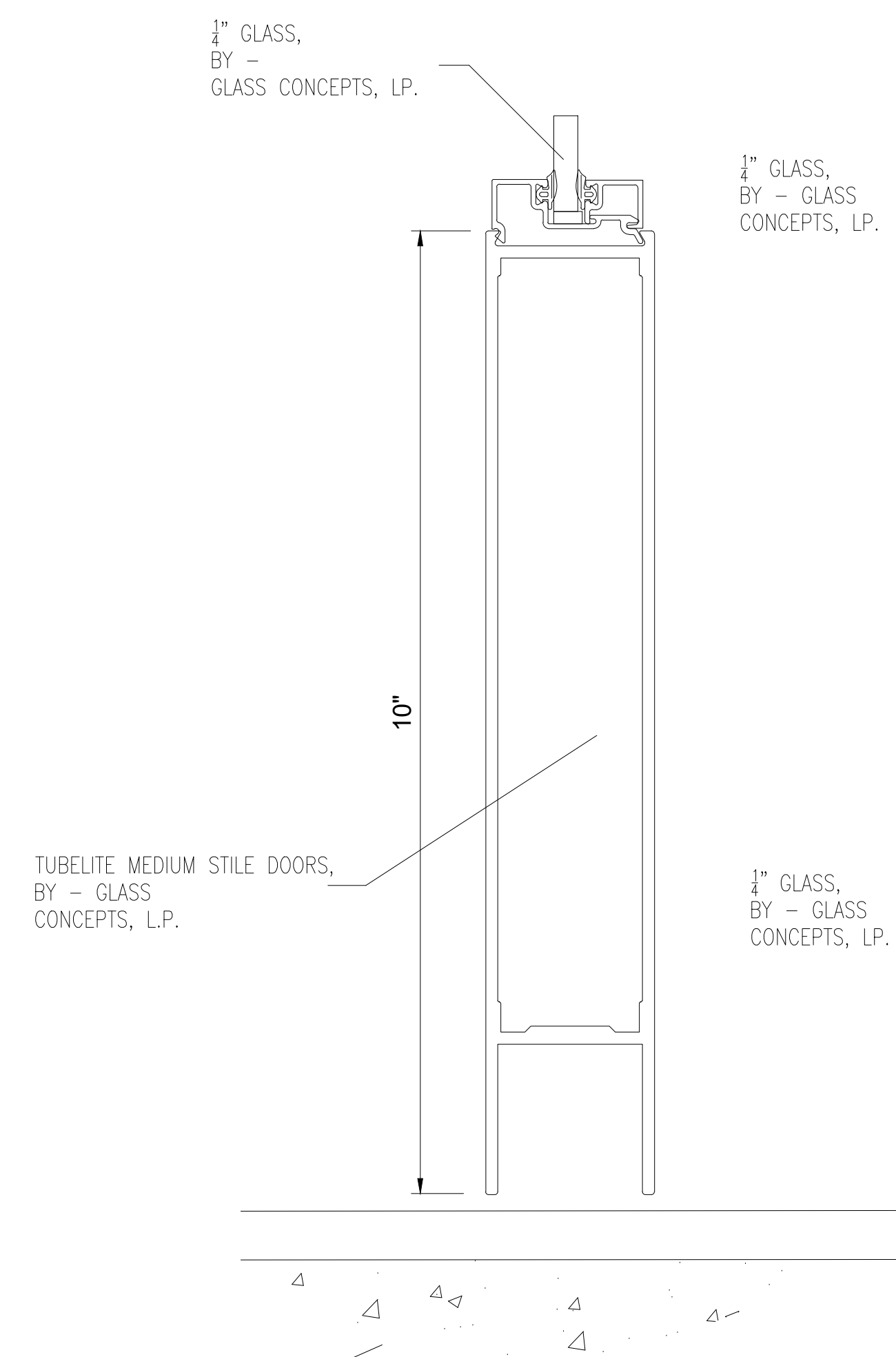
DATE:  
**01/06/2020**

SHEET:  
**405**

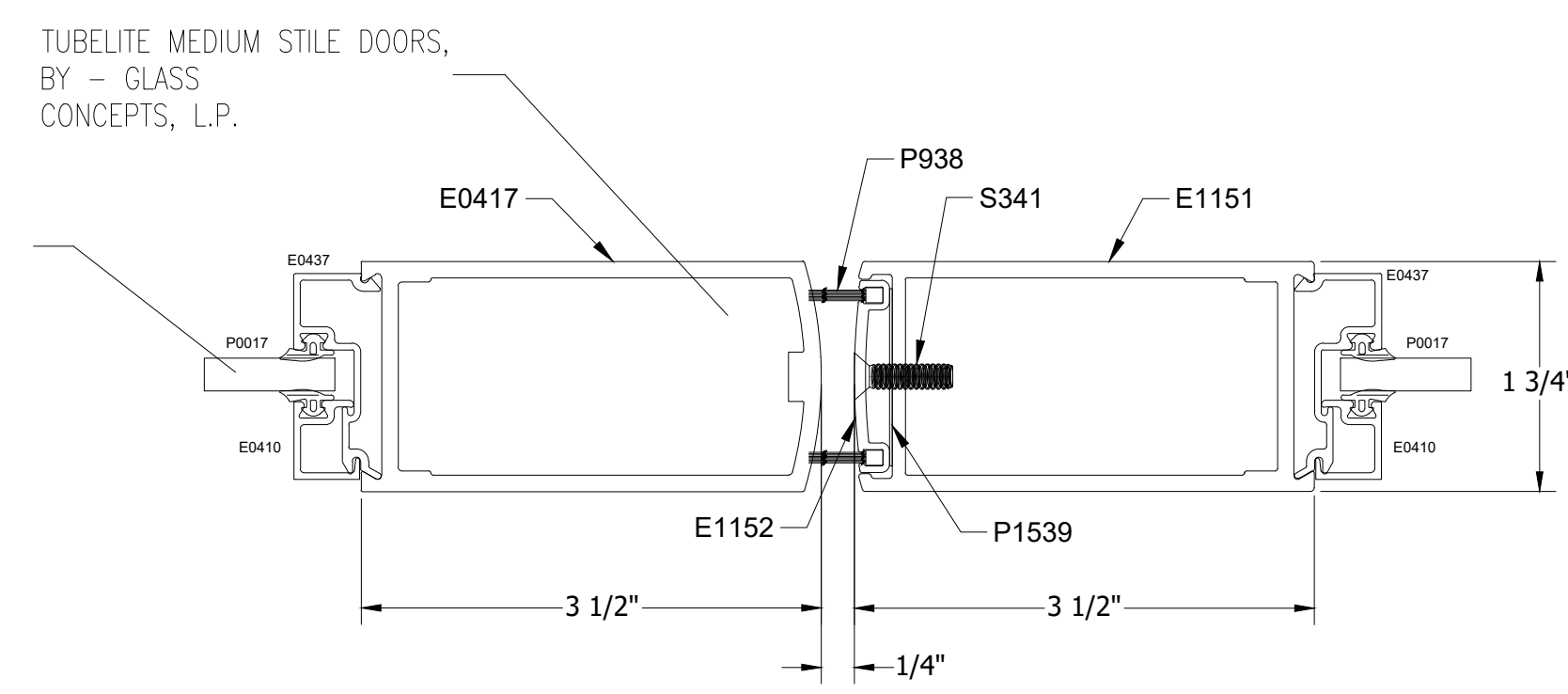




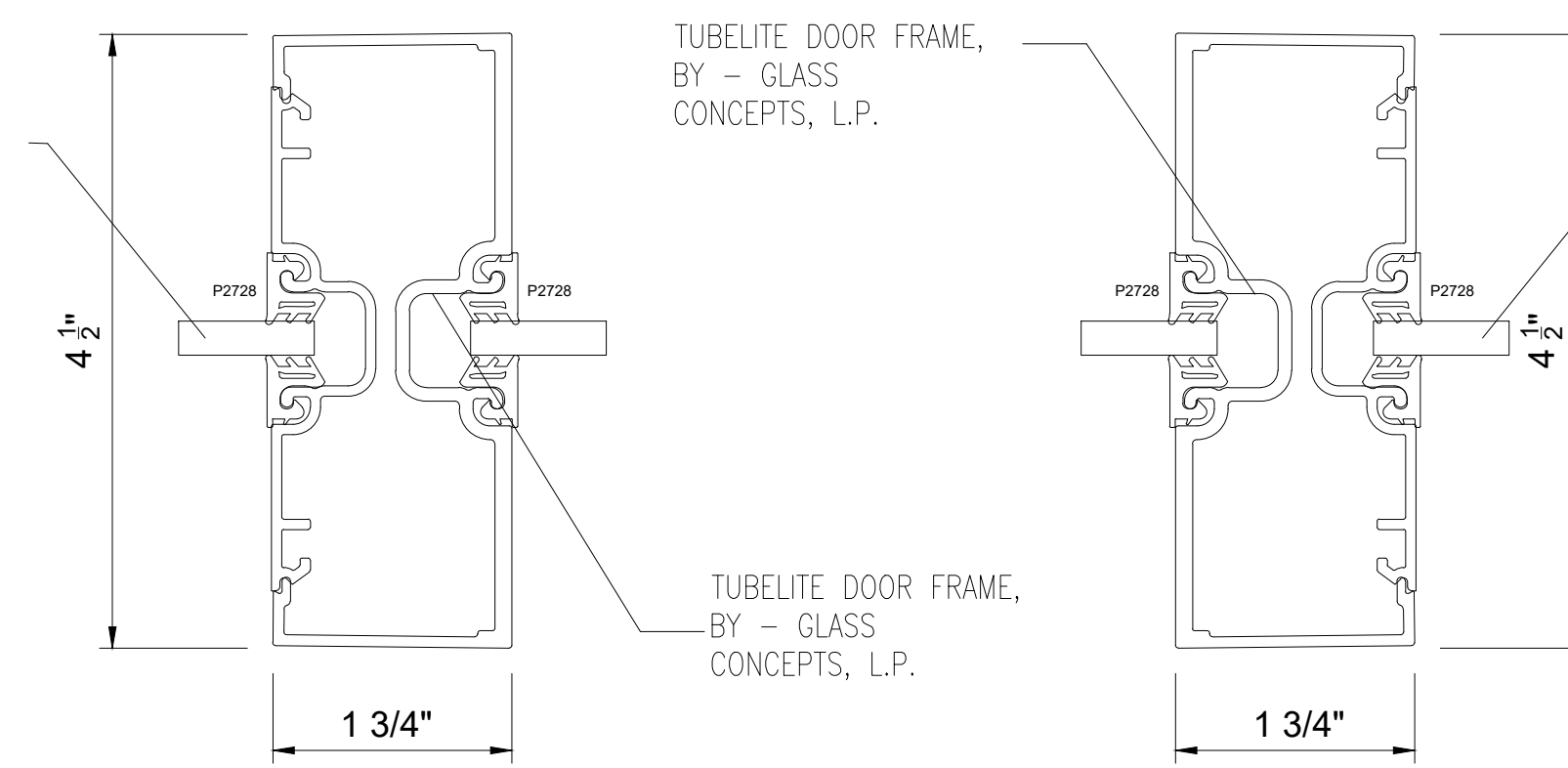
1 SECTION CUT  
@ DOOR AND HEADER



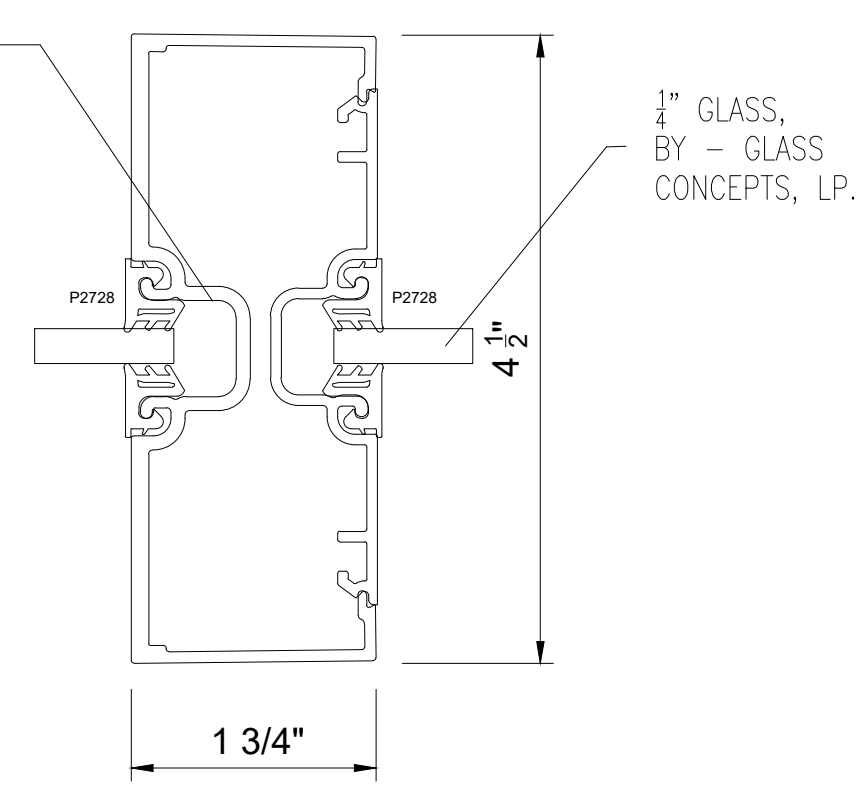
2 SECTION CUT  
@ DOOR BOTTOM RAIL



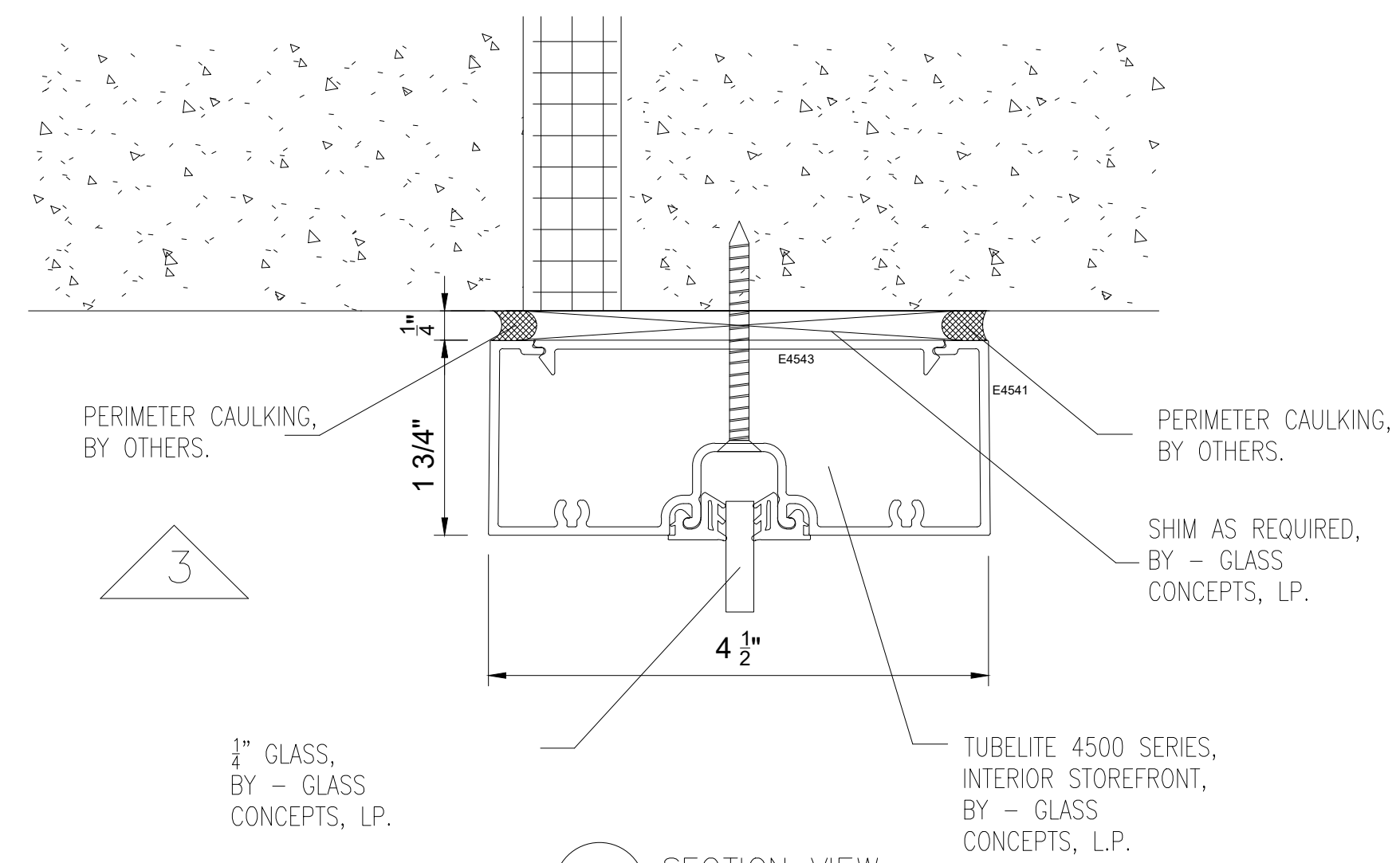
3 PLAN CUT  
@ MEETING OF DOORS



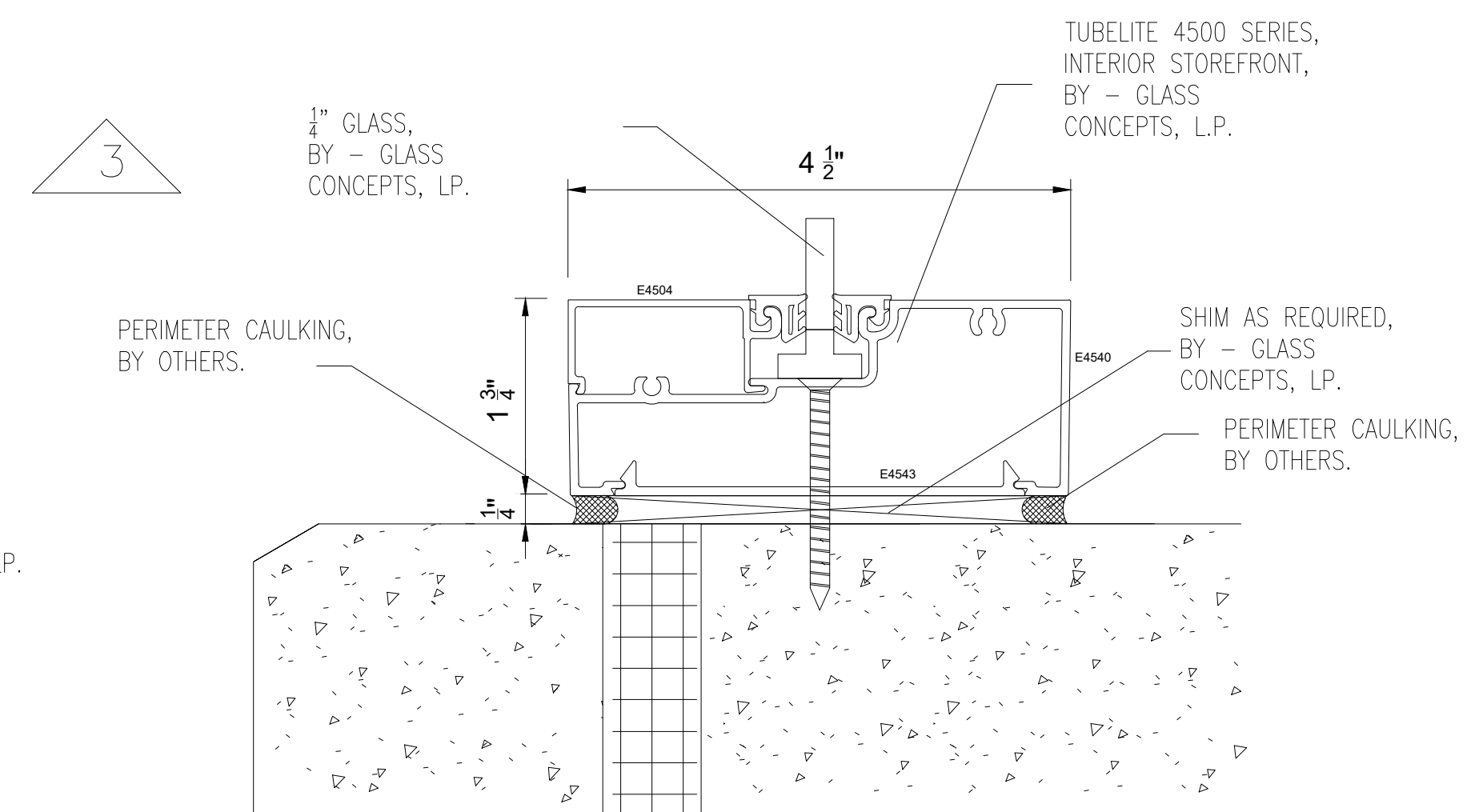
4 PLAN CUT  
@ TRANSOM JAMB



5 PLAN CUT  
@ TRANSOM JAMB



6 SECTION VIEW  
@ STOREFRONT HEAD



7 SECTION VIEW  
@ STOREFRONT SILL

NO.	REVISION/ISSUED	DATE
1	1ST SUBMITTAL	01/06/2020
3	PER COMMENTS	02/05/2020

PROJECT NAME & LOCATION:  
PRESTONWOOD NORTH CAMPUS  
PHASE 3 EXPANSION  
1001 WEST PROSPER TRAIL  
DALLAS, TX 75078

SHEET TITLE:  
**DETAILS**

DRAWN BY:

KS DRAFTING & DESIGN, LLC  
KYLE SCHNECK  
HARRISBURG, PA 17110  
KYLE@KSDRAFTINGDESIGNLLC.COM  
717-228-7114  
KSDRAFTINGDESIGNLLC.COM

DRAWN BY:  
**BRIAN GANOE**

CHECKED BY:  
**KYLE SCHNECK**

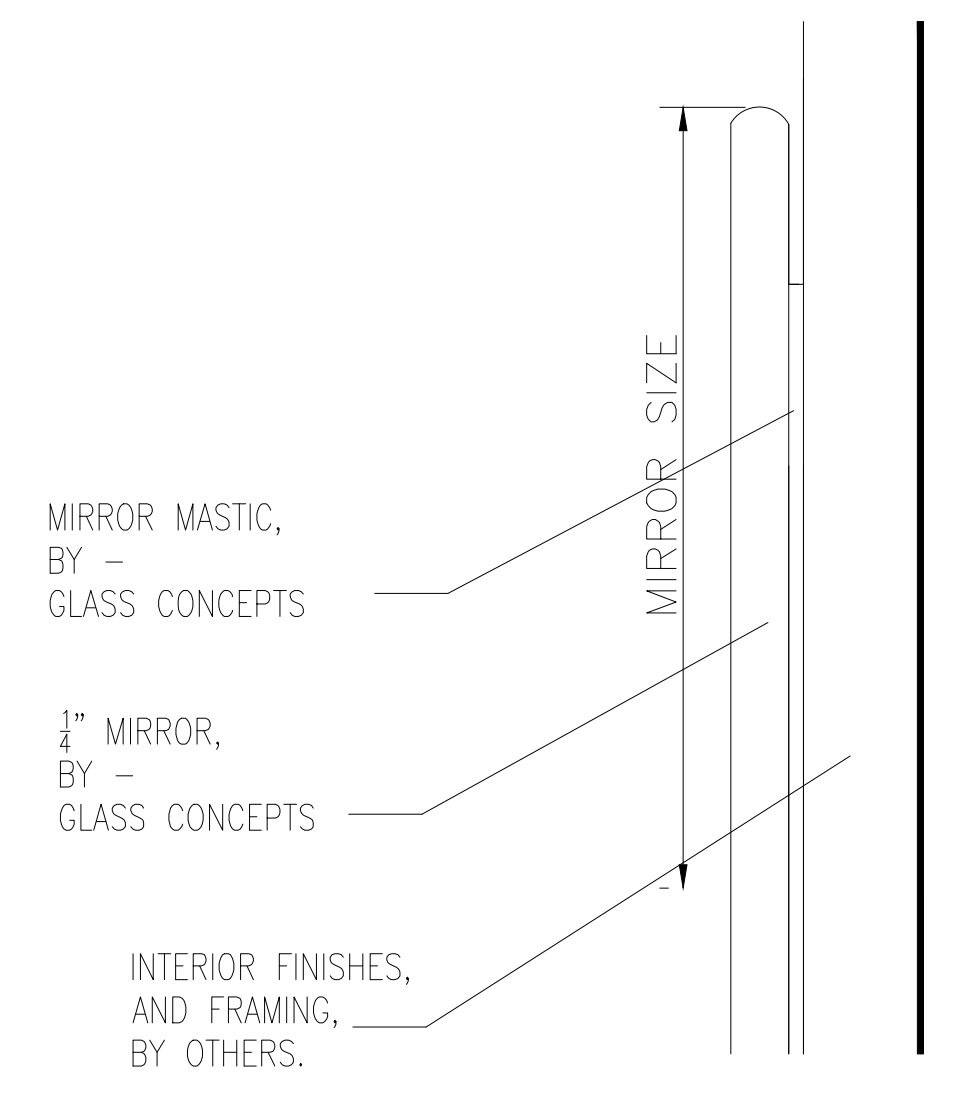
DATE:  
**01/06/2020**

SHEET:

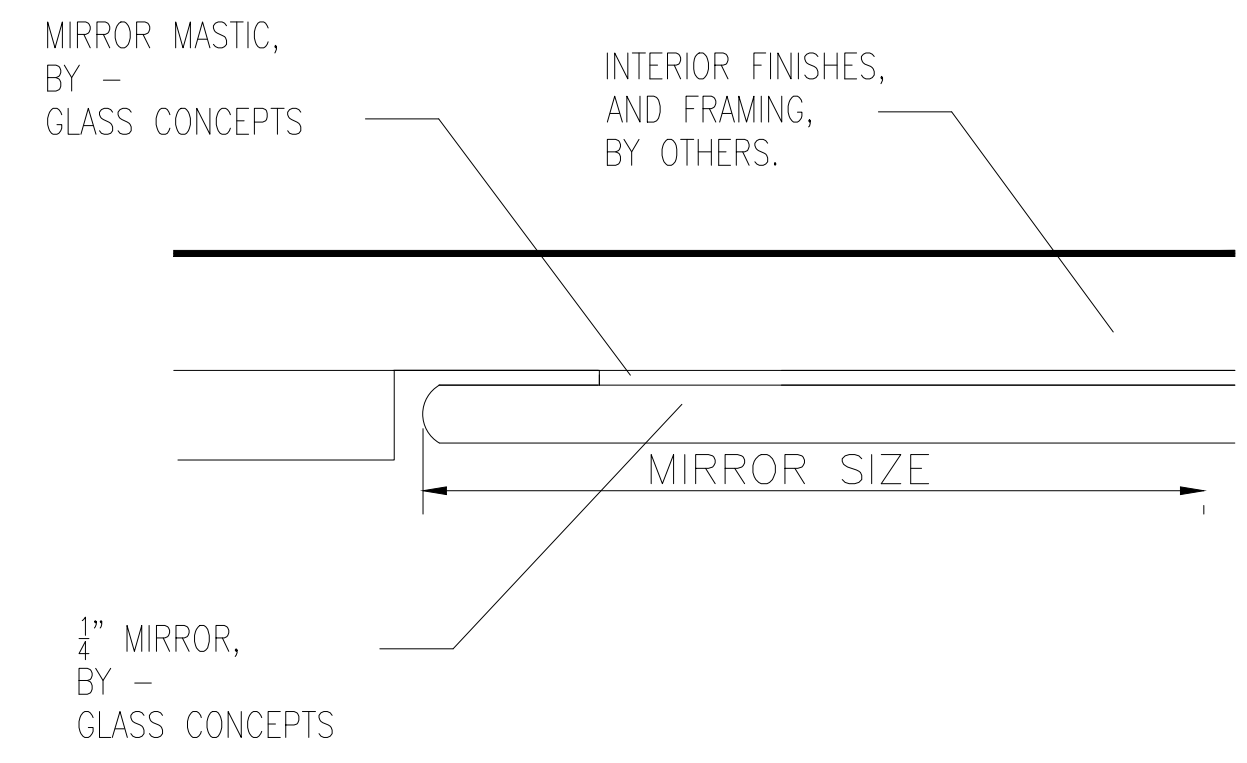
**406**



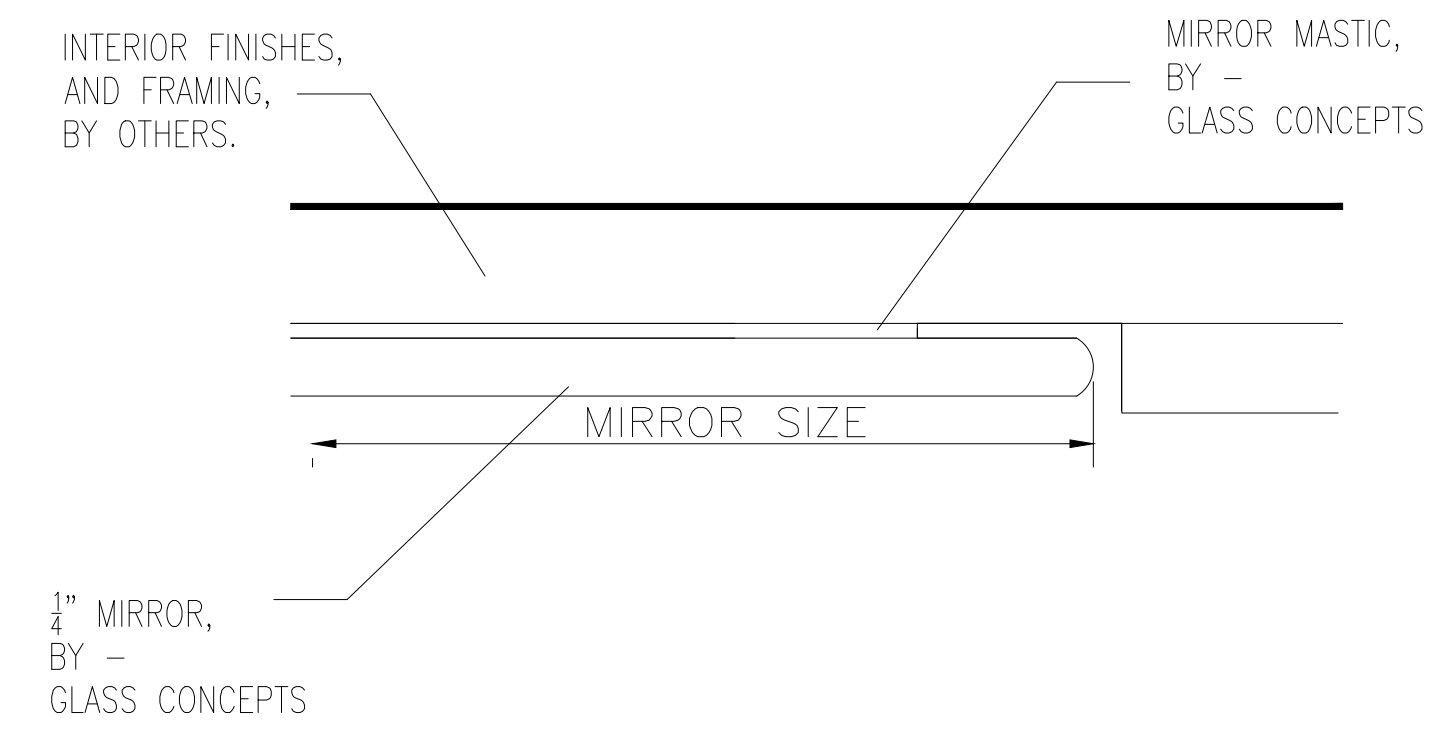
NO.	REVISION/ISSUED	DATE
1	1ST SUBMITTAL	01/06/2020



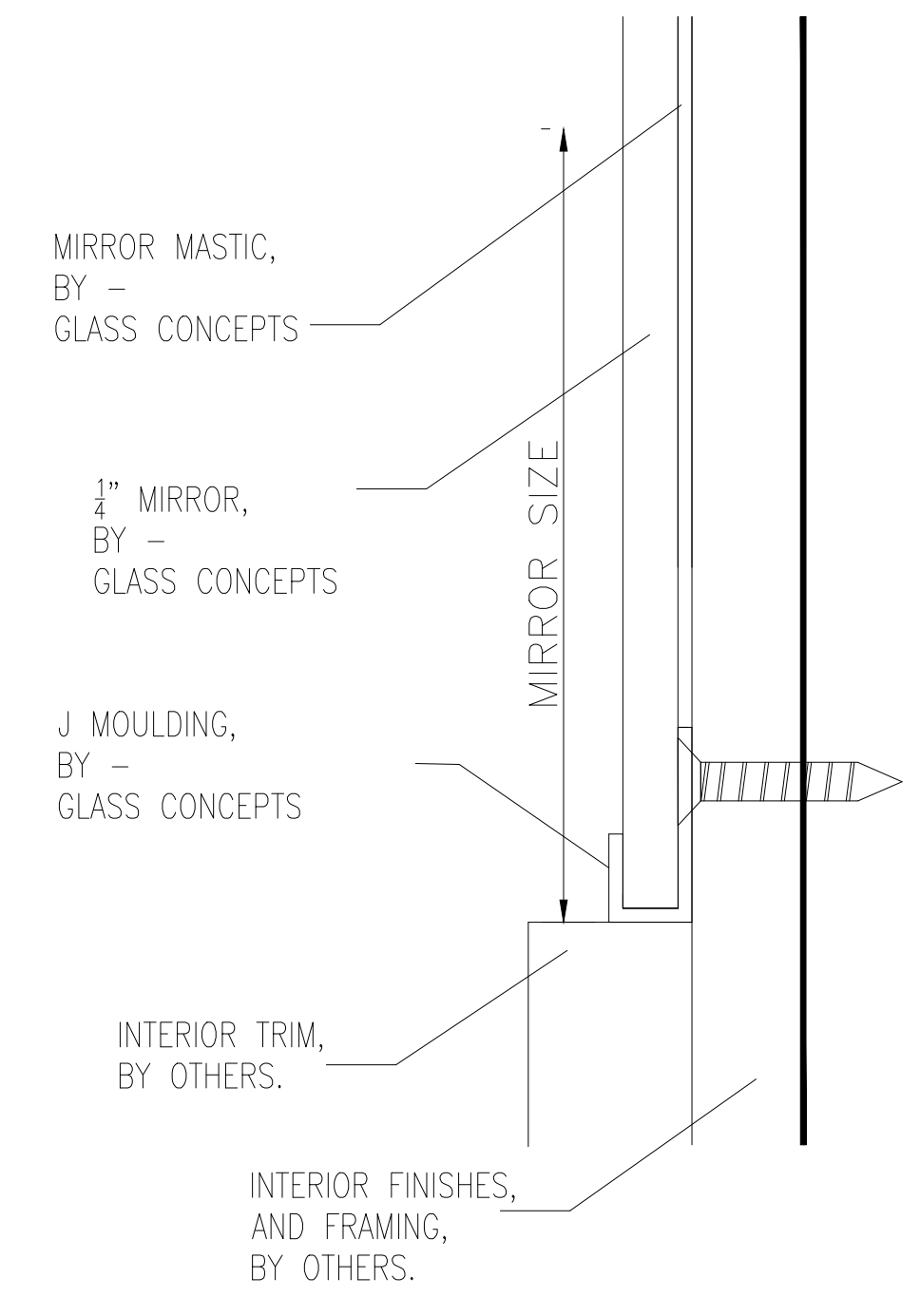
1 SECTION CUT



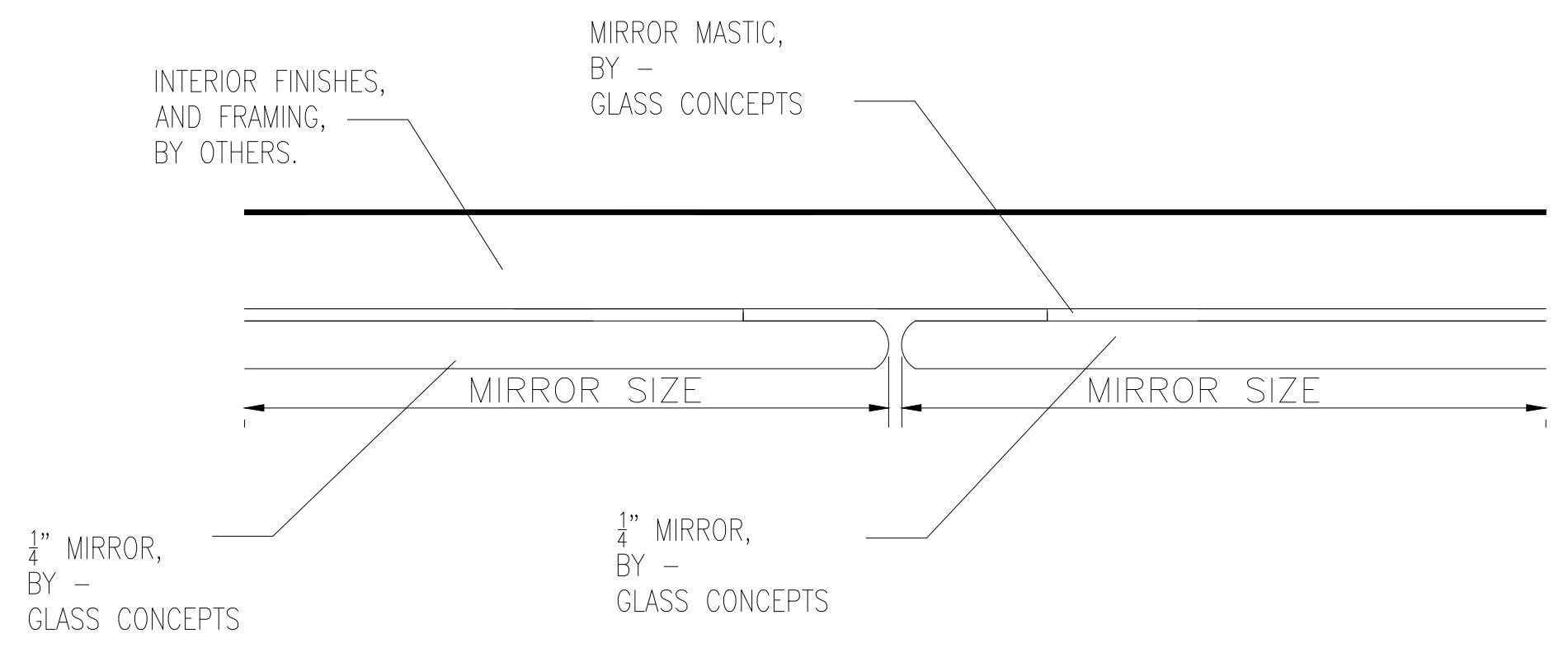
3 PLAN CUT



5 PLAN CUT



2 SECTION CUT



4 PLAN CUT

PROJECT NAME & LOCATION:  
 PRESTONWOOD NORTH CAMPUS  
 PHASE 3 EXPANSION  
 1001 WEST PROSPER TRAIL  
 DALLAS, TX 75078

SHEET TITLE:  
**DETAILS**

DRAWN BY:  
 KS DRAFTING & DESIGN, LLC  
 KYLE SCHNECK  
 HARRISBURG, PA 17110  
 KYLE@KSDRAFTINGDESIGNLLC.COM  
 717-228-7114  
 KSDRAFTINGDESIGNLLC.COM

DRAWN BY: <b>BRIAN GANOE</b>	SHEET: <b>407</b>
CHECKED BY: <b>KYLE SCHNECK</b>	
DATE: <b>01/06/2020</b>	