

SYMBOLS		
	ELEVATION NAME	
	DETAIL NAME	
	ELEVATION CALLOUT	
	SECTION CALLOUT	
	REVISED ITEM	
	REVISION NUMBER	

INFORMATION AVAILABLE TO PREPARE DRAWINGS

PER ARCHITECTURAL DRAWINGS DATED - 07/02/2019

NOTES TO GENERAL CONTRACTOR

PLEASE CONFIRM THAT THE SURROUNDING CONDITIONS OUTLINED IN THESE DRAWINGS ARE ACCURATE TO THE TRUE FIELD CONDITIONS, AND THAT ALL ROUGH OPENINGS SHOWN ARE ACCURATE TO FIELD CONDITIONS AND SIZES.

SHEET LIST		
SHEET	DESCRIPTION	SHEET
100	COVER SHEET	
200	FLOOR PLAN	
201	BUILDING ELEVATIONS	
202	FRAME ELEVATIONS	
203	FRAME ELEVATIONS	
400	DETAILS	
401	DETAILS	
402	DETAILS	
403	DETAILS	

NO.	REVISION/ISSUED	DATE
1	1ST SUBMITTAL	02/12/2020
2	REVISION	02/25/2020

NOTES TO ARCHITECT

DOOR SCHEDULE				
DOOR #	DOOR WIDTH	DOOR HEIGHT	ACTIVE LEAF	TYPE
100	6'-0"	7'-8"	OUTSWING	PAIR
101B	6'-0"	7'-0"	OUTSWING	PAIR
119A	3'-0"	7'-0"	OUTSWING	SINGLE

- DOOR HARDWARE UNDER SEPARATE SUBMITTAL
- PREPARED BY KAWNEER

PROJECT NAME & LOCATION:
NAVAL FACILITIES ENGINEERING COMMAND
MID-ATLANTIC CORE
NAVAL STATION
NORFOLK, VIRGINIA

SHEET TITLE:
COVER SHEET

PROJECT TITLE:
NAVAL FACILITIES ENGINEERING COMMAND
MID-ATLANTIC CORE
PROJECT ADDRESS:
NAVAL STATION
NORFOLK, VIRGINIA

GLASS CONTRACTOR:

DRAWN BY:
KS DRAFTING & DESIGN, LLC
KYLE SCHNECK
HARRISBURG, PA 17110
KYLE@KSDRAFTINGDESIGNLLC.COM
717-228-7114
KSDRAFTINGDESIGNLLC.COM

ARCHITECT:

ENGINEER:

GLASS SCHEDULE	
MARK	GLAZING DESCRIPTION AND MAKEUP
GL-1	$\frac{1}{4}$ " S70SGT TP, $\frac{1}{2}$ " K4SBK (SIL) $\frac{1}{4}$ " CL HS 30SG 30SG 30SG $\frac{1}{4}$ " CL HS ARGON
GL-2	$\frac{1}{4}$ " S70SGT TP, $\frac{1}{2}$ " K4SBK (SIL) $\frac{1}{8}$ " CL HS 30SG 30SG 30SG $\frac{1}{8}$ " CL HS ARGON
GL-3	$\frac{1}{4}$ " CL HS 30SG 30SG 30SG $\frac{1}{4}$ " CL HS
GL-4	$\frac{1}{4}$ " CL TP

MATERIAL SCHEDULE					
PRODUCT TYPE	MANUFACTURER	SYSTEM	PROFILE DIMENSIONS	DESCRIPTION	FINISH
EXTERIOR STOREFRONT	KAWNEER	IR 501T	2-3/4" X 5"	THERMALLY BROKEN, CENTER SET, OUTSIDE GLAZED, SCREW SPLINE	(#22 DOVE GRAY) FLUROPON
INTERIOR FRAME	KAWNEER	IR 500	2-1/2" X 5"	NON-THERMAL, CENTER SET, OUTSIDE GLAZED, SCREW SPLINE	(#22 DOVE GRAY) FLUROPON
INTERIOR STOREFRONT	KAWNEER	451	2" X 4-1/2"	NON-THERMAL, CENTER SET, OUTSIDE GLAZED, SCREW SPLINE	(#22 DOVE GRAY) FLUROPON
STOREFRONT DOORS	KAWNEER	IR 500HW DOOR	1-3/4"	10" BOTTOM RAIL	(#22 DOVE GRAY) FLUROPON
SLIDING WINDOWS	KAWNEER	8400TL	4"	HORIZONTAL SLIDING WINDOW UNIT	(#22 DOVE GRAY) FLUROPON

CAULKING AT THE EXTERIOR PERIMETER OF THE ALUMINUM FRAMES

BRAKE METAL CORNERS AT SF-2 AND SF-3

DRAWN BY:
BRIAN GANOE

CHECKED & COORDINATED BY:
KYLE SCHNECK

DATE:
02/12/2020

SHEET:
100

NO.	REVISION/ISSUED	DATE
1	1ST SUBMITTAL	02/12/2020

PROJECT NAME & LOCATION:
 NAVAL FACILITIES ENGINEERING COMMAND
 MID-ATLANTIC CORE
 NAVAL STATION
 NORFOLK, VIRGINIA

SHEET TITLE:
FLOORPLAN

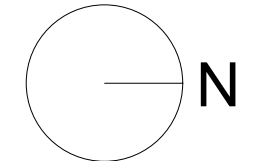
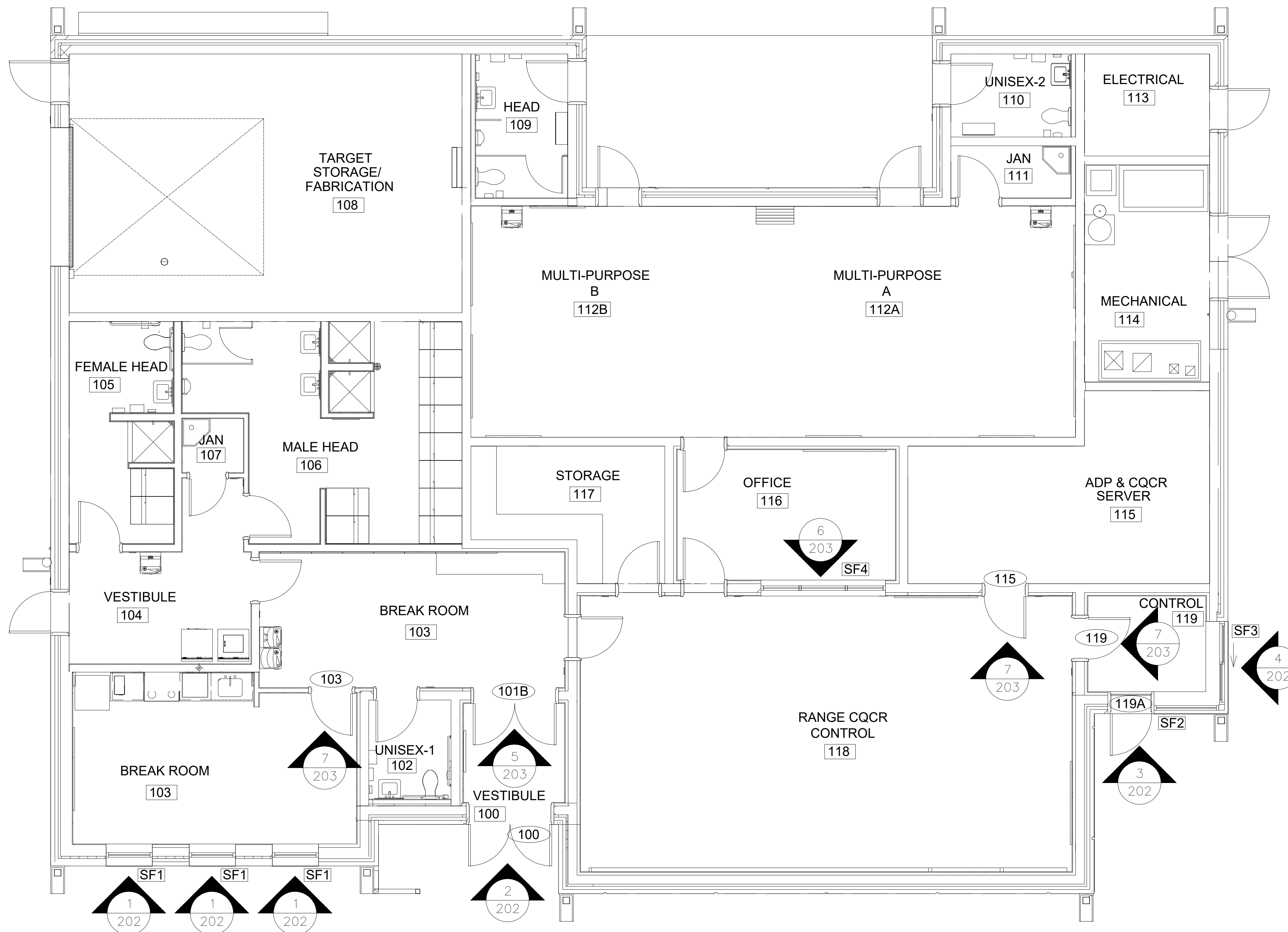
GLASS CONTRACTOR:

DRAWN BY:
 KS DRAFTING & DESIGN, LLC
 KYLE SCHNECK
 HARRISBURG, PA 17110
 KYLE@KSDRAFTINGDESIGNLLC.COM
 717-228-7114
 KSDRAFTINGDESIGNLLC.COM

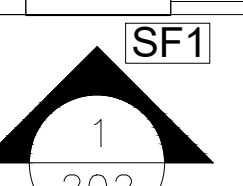
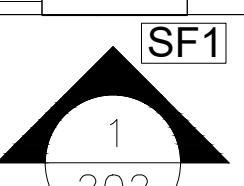
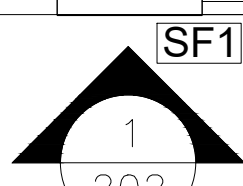
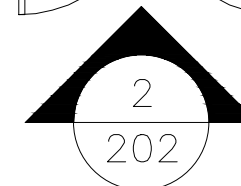
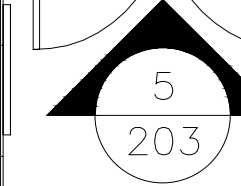
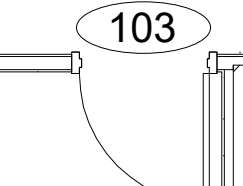
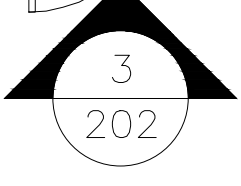
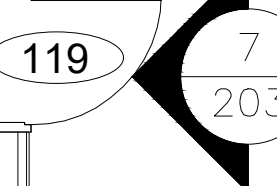
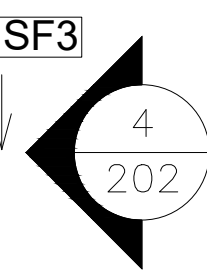
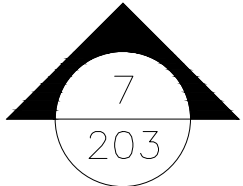
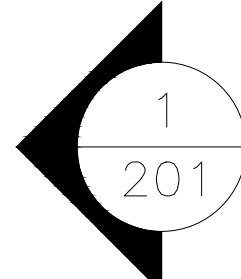
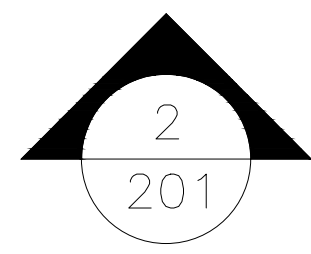
ARCHITECT:

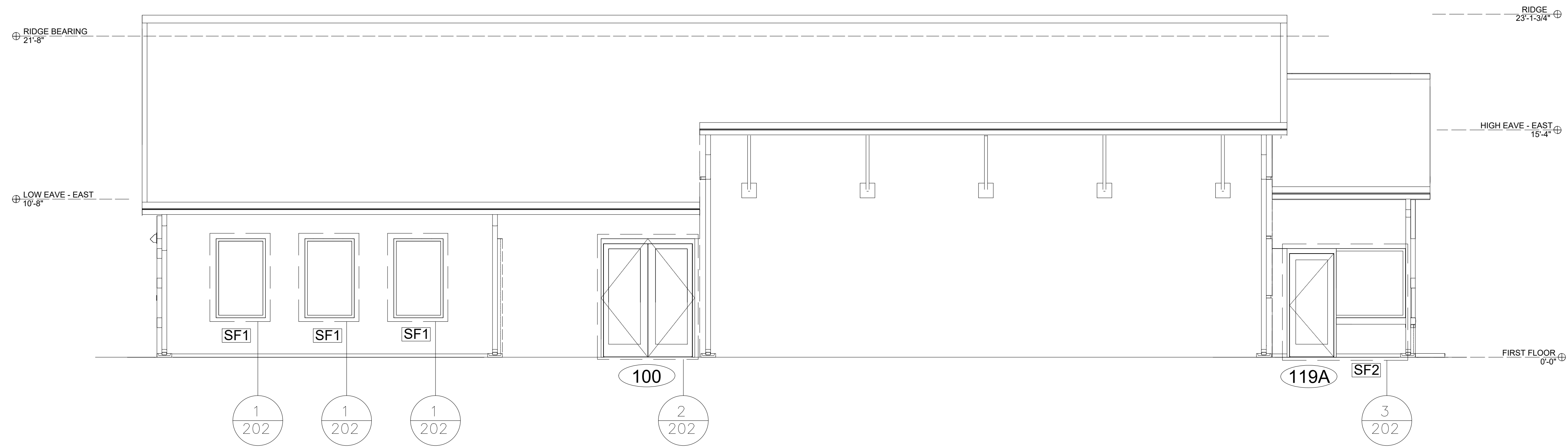
ENGINEER:

DRAWN BY: BRIAN GANOE	SHEET:
CHECKED & COORDINATED BY: KYLE SCHNECK	200
DATE: 02/12/2020	

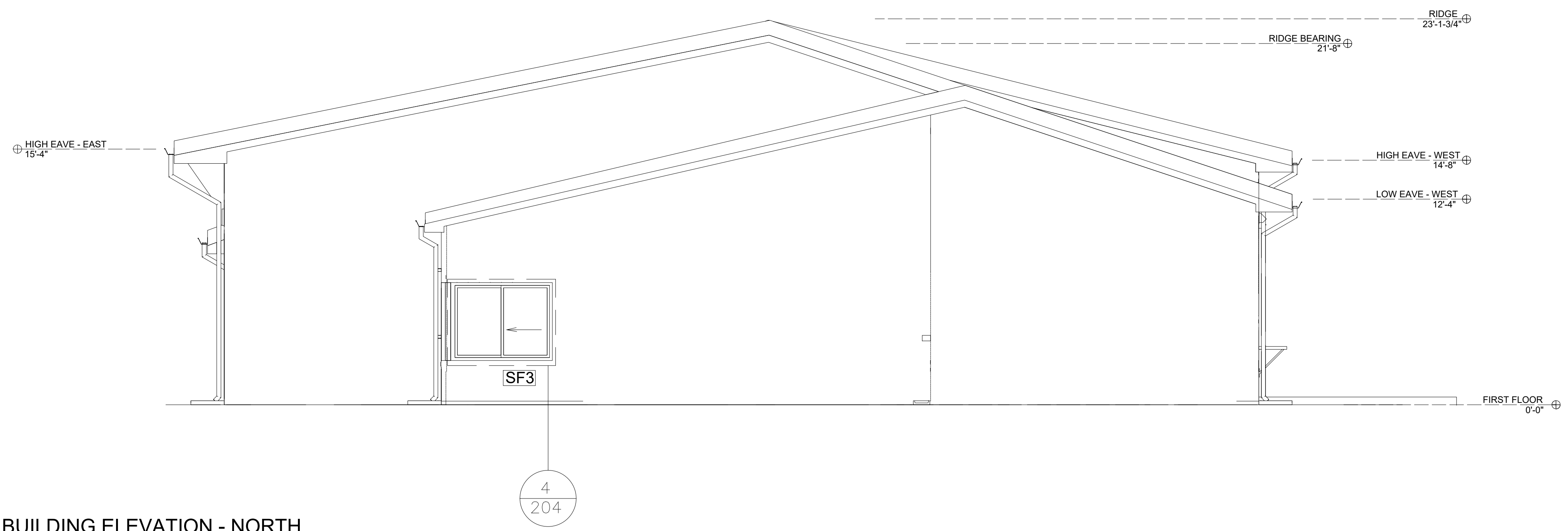


1 FLOOR PLAN
 ARCH. REF.: A1/A-101





2 BUILDING ELEVATION - EAST
 ARCH. REF.: A1/A-201



1 BUILDING ELEVATION - NORTH
 ARCH. REF.: C1/A-201

NO.	REVISION/ISSUED	DATE
1	1ST SUBMITTAL	02/12/2020

PROJECT NAME & LOCATION:
 NAVAL FACILITIES ENGINEERING COMMAND
 MID-ATLANTIC CORE
 NAVAL STATION
 NORFOLK, VIRGINIA

SHEET TITLE:
BUILDING ELEVATIONS

GLASS CONTRACTOR:

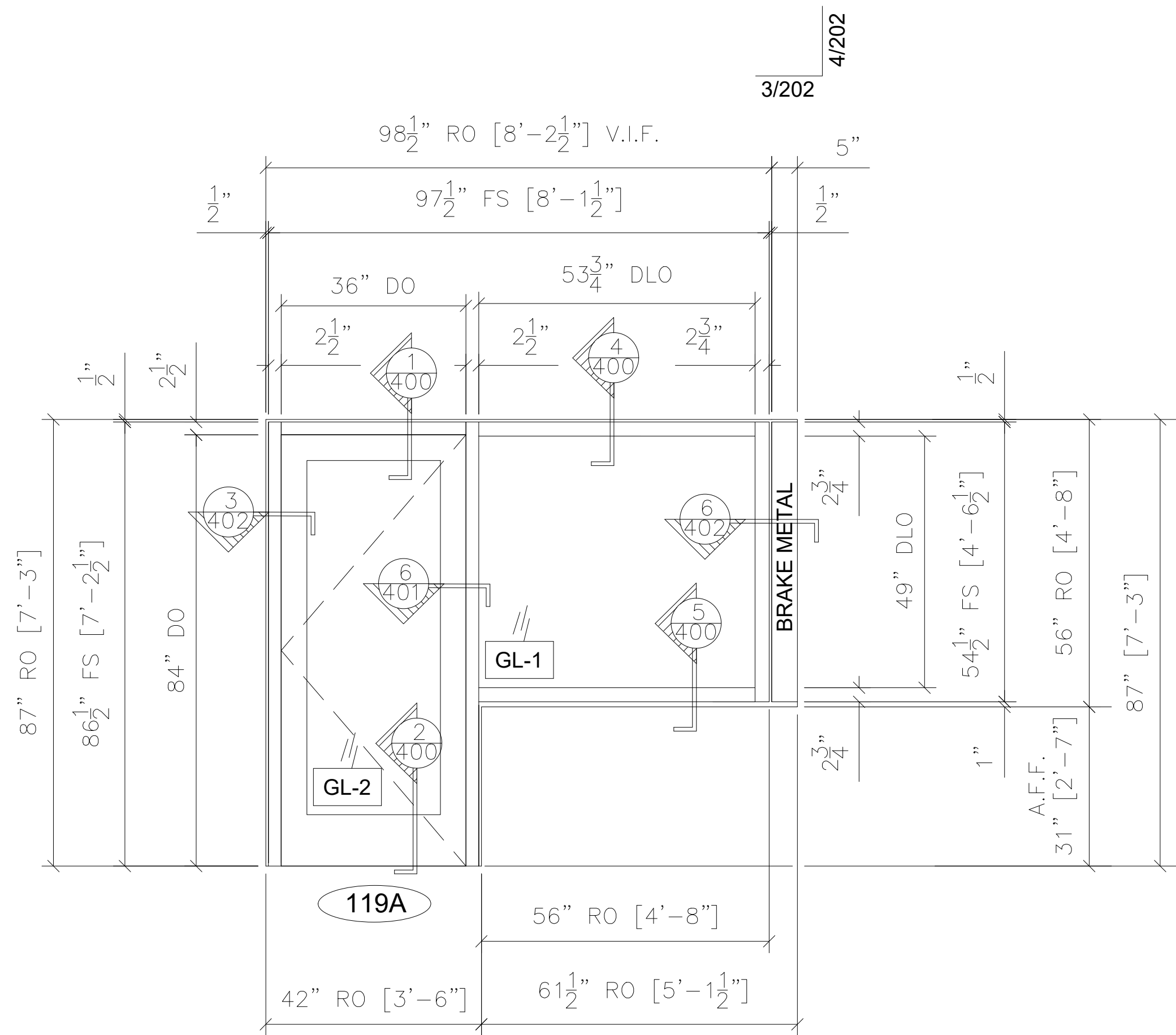
DRAWN BY:
 KS DRAFTING & DESIGN, LLC
 KYLE SCHNECK
 HARRISBURG, PA 17110
 KYLE@KSDRAFTINGDESIGNLLC.COM
 717-228-7114
 KSDRAFTINGDESIGNLLC.COM

ARCHITECT:

ENGINEER:

DRAWN BY: BRIAN GANOE
 CHECKED & COORDINATED BY: KYLE SCHNECK
 DATE: 02/12/2020

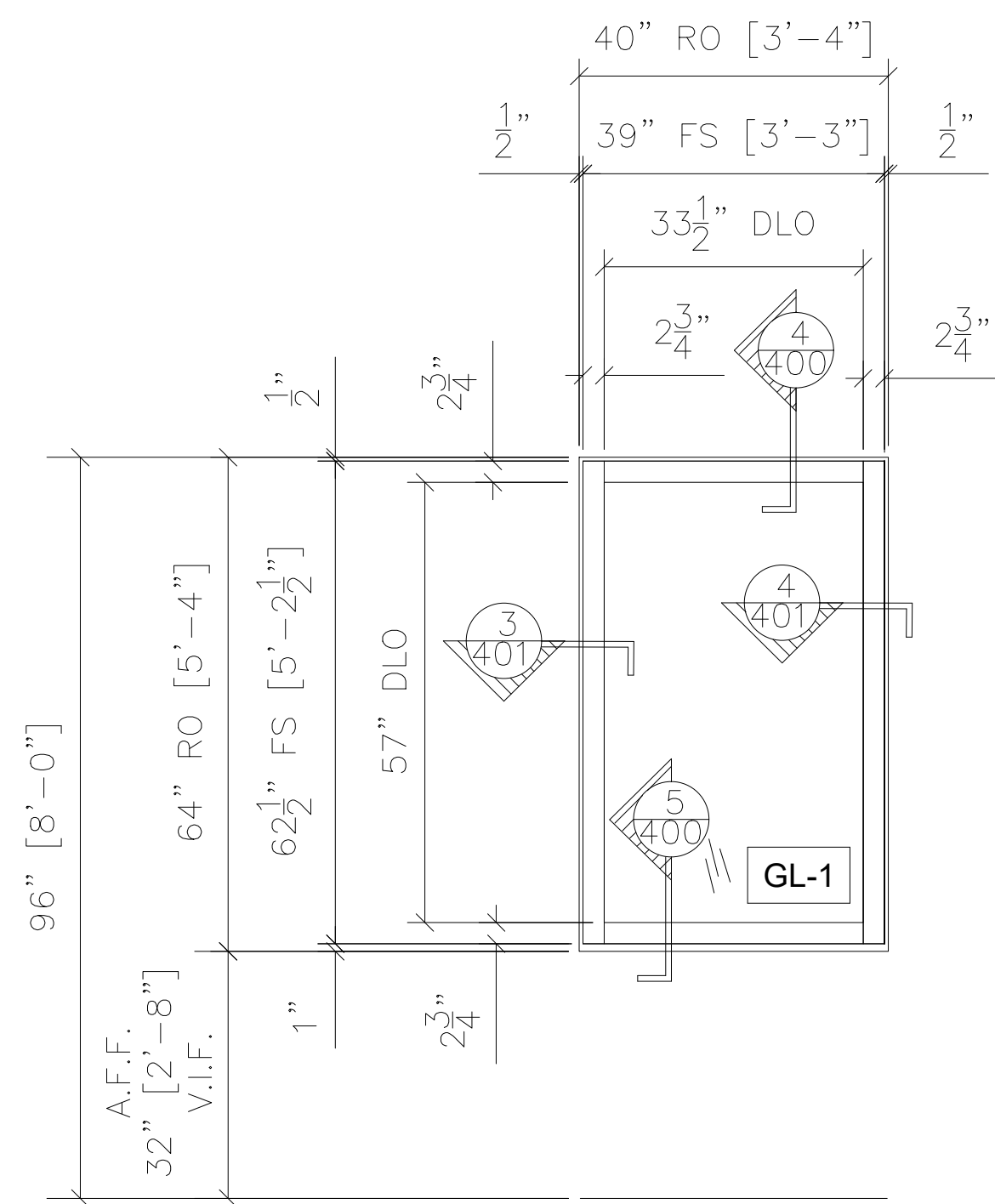
SHEET: **201**



3 STOREFRONT ELEVATION SF-2
 KAWNEER IR 501T 2-3/4" X 5" EXTERIOR STOREFRONT
 KAWNEER IR 500HW WIDE STILE STOREFRONT DOORS WITH 10" BOTTOM RAIL
 ARCH. REF.: SF2/A-602

QTY	LOCATION
1	EAST ELEVATION

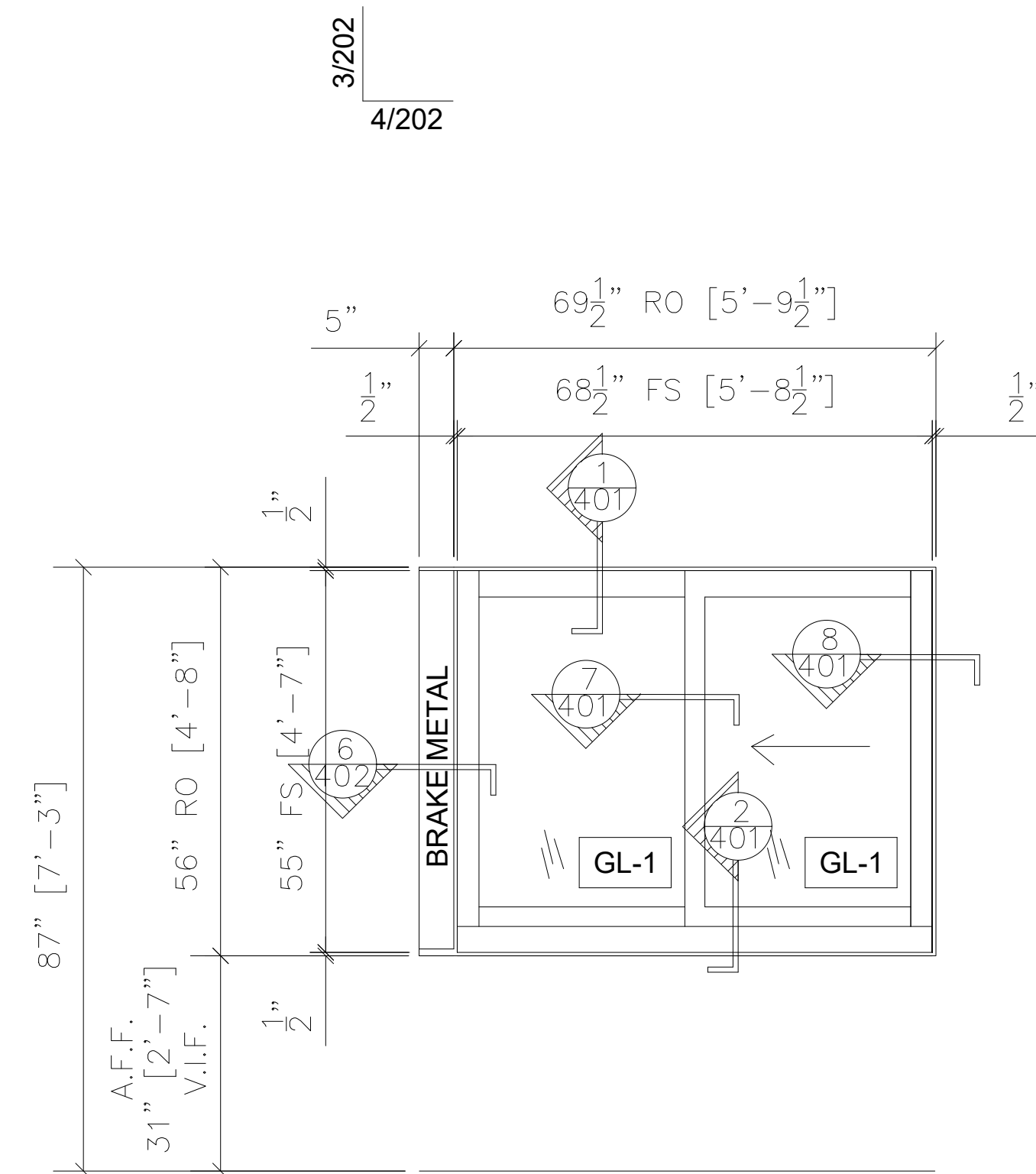
1 TOTAL



1 STOREFRONT ELEVATION SF-1
 KAWNEER IR 501T 2-3/4" X 5" EXTERIOR STOREFRONT
 ARCH. REF.: SF1/A-602

QTY	LOCATION
3	EAST ELEVATION

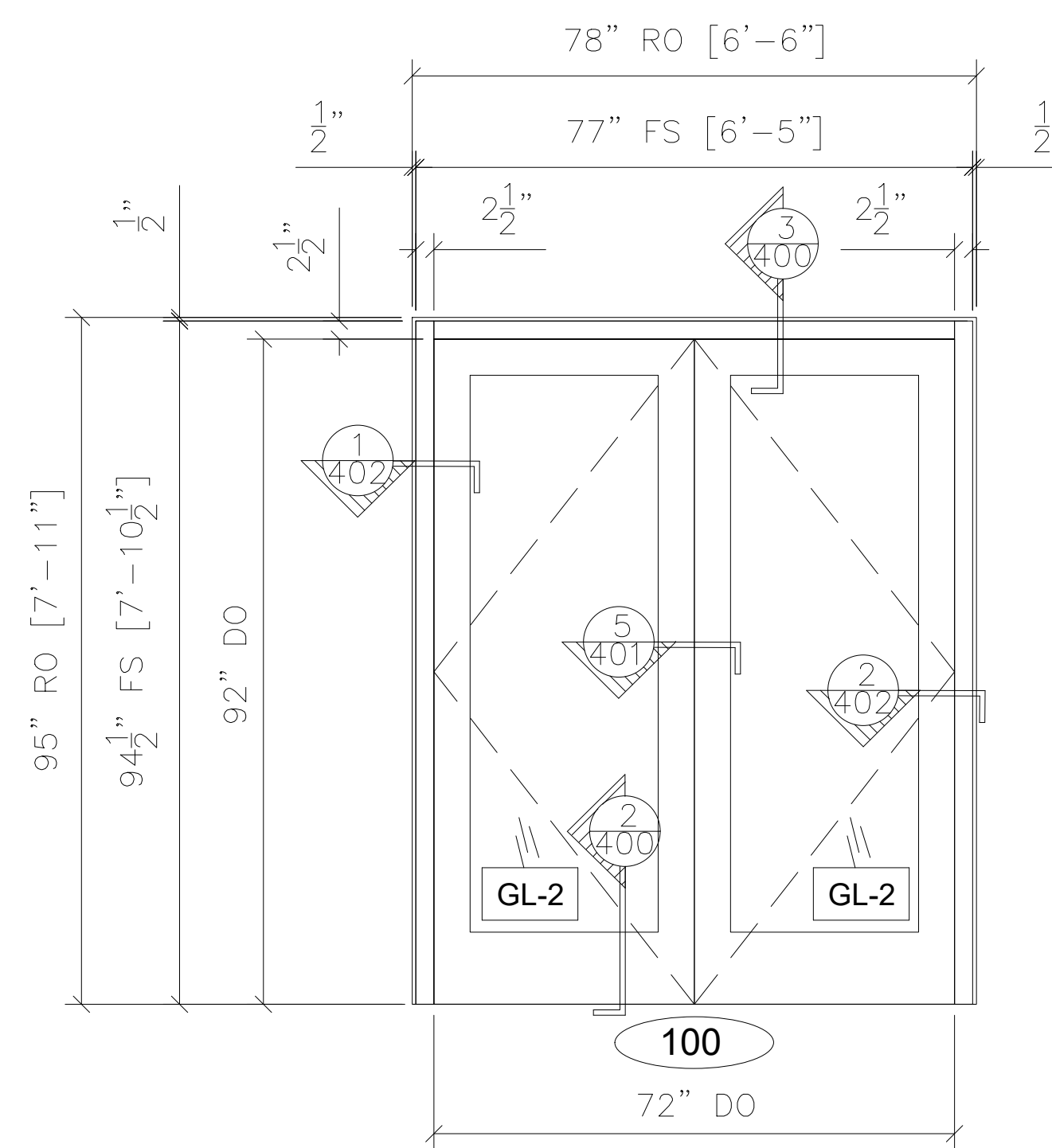
3 TOTAL



4 STOREFRONT ELEVATION SF-3
 KAWNEER 8400TL THERMAL WINDOWS
 4" BLAST MITIGATED
 ARCH. REF.: SF3/A-602

QTY	LOCATION
1	NORTH ELEVATION

1 TOTAL



2 ENTRANCE ELEVATION
 KAWNEER IR 501T 2-1/2" X 5" DOOR FRAME
 KAWNEER IR 500HW WIDE STILE STOREFRONT DOORS WITH 10" BOTTOM RAIL
 ARCH. REF.: C1/A-601

QTY	LOCATION
1	EAST ELEVATION

1 TOTAL

NO.	REVISION/ISSUED	DATE
1	1ST SUBMITTAL	02/12/2020

PROJECT NAME & LOCATION:
 NAVAL FACILITIES ENGINEERING COMMAND
 MID-ATLANTIC CORE
 NAVAL STATION
 NORFOLK, VIRGINIA

SHEET TITLE:
FRAME ELEVATIONS

GLASS CONTRACTOR:

DRAWN BY:

KS DRAFTING & DESIGN, LLC
 KYLE SCHNECK
 HARRISBURG, PA 17110
 KYLE@KSDRAFTINGDESIGNLLC.COM
 717-228-7114
 KSDRAFTINGDESIGNLLC.COM

ARCHITECT:

ENGINEER:

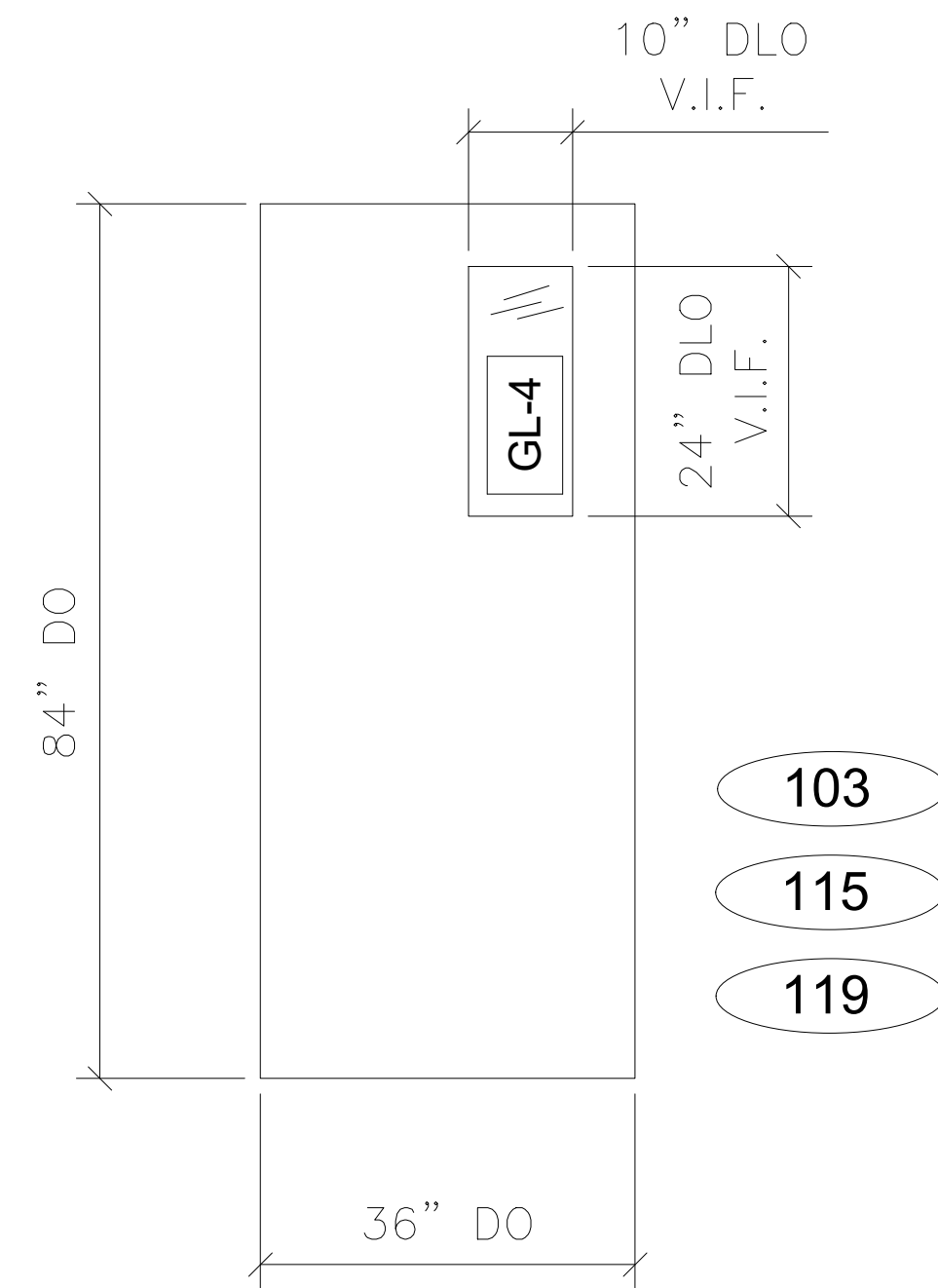
DRAWN BY:
 BRIAN GANOE

SHEET:

CHECKED & COORDINATED BY:
 KYLE SCHNECK

202

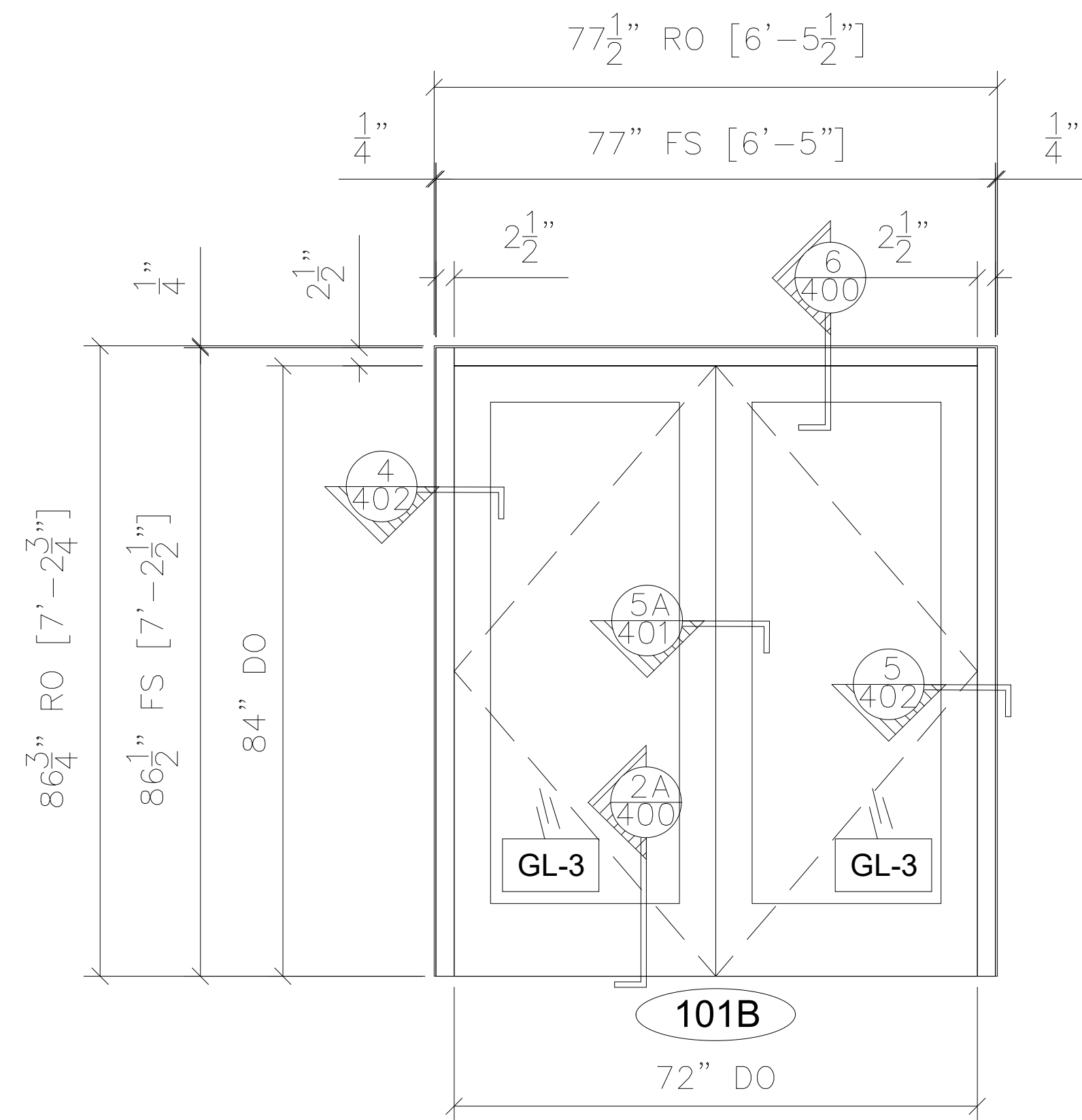
DATE:
 02/12/2020



7 DOOR ELEVATION D1
 HOLLOW METAL DOOR BY OTHERS
 GLASS BY -
 ARCH. REF.: C1/A-601

QTY	LOCATION
1	BREAK ROOM 103
1	RANGE CQCR CONTROL 118
1	CONTROL 119

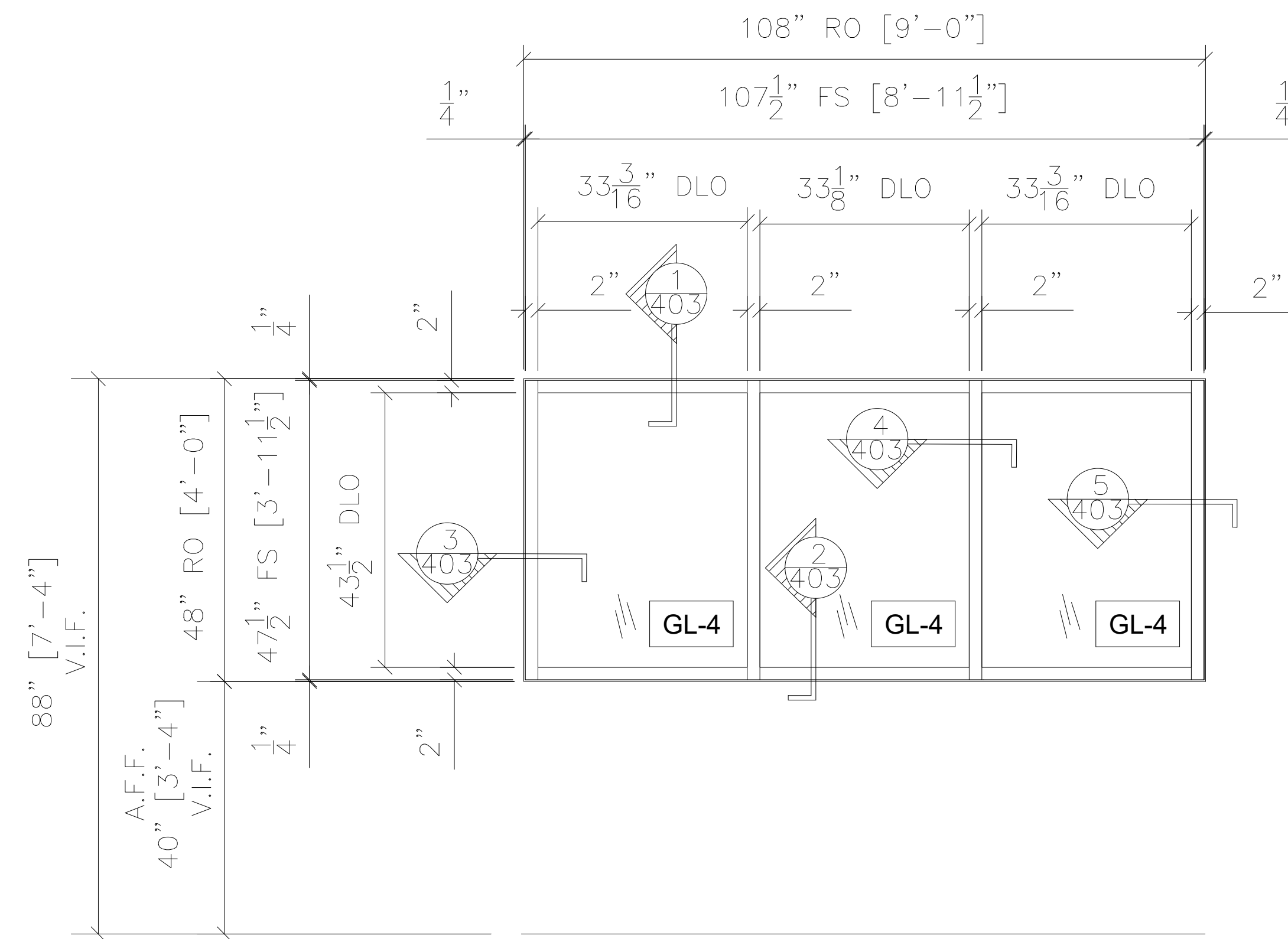
3 TOTAL



5 ENTRANCE ELEVATION
 KAWNEER IR 500 2-1/2" X 5" DOOR FRAME
 KAWNEER IR 500HW WIDE STILE STOREFRONT DOORS WITH 10" BOTTOM RAIL
 ARCH. REF.: C1/A-601

QTY	LOCATION
1	VESTIBULE 100

1 TOTAL



6 STOREFRONT ELEVATION SF-4
 KAWNEER 451 2" X 4-1/2"
 INTERIOR STOREFRONT
 ARCH. REF.: SF4/A-602

QTY	LOCATION
1	OFFICE 116

1 TOTAL

NO.	REVISION/ISSUED	DATE
1	1ST SUBMITTAL	02/12/2020

PROJECT NAME & LOCATION:
 NAVAL FACILITIES ENGINEERING COMMAND
 MID-ATLANTIC CORE
 NAVAL STATION
 NORFOLK, VIRGINIA

SHEET TITLE:
FRAME ELEVATIONS

GLASS CONTRACTOR:

DRAWN BY:
 KS DRAFTING & DESIGN, LLC
 KYLE SCHNECK
 HARRISBURG, PA 17110
 KYLE@KSDRAFTINGDESIGNLLC.COM
 717-228-7114
 KSDRAFTINGDESIGNLLC.COM

ARCHITECT:

ENGINEER:

DRAWN BY: BRIAN GANOE
 CHECKED & COORDINATED BY: KYLE SCHNECK
 DATE: 02/12/2020

SHEET: **203**

NO.	REVISION/ISSUED	DATE
1	1ST SUBMITTAL	02/12/2020
2	PER COMMENTS	02/25/2020

PROJECT NAME & LOCATION:
 NAVAL FACILITIES ENGINEERING COMMAND
 MID-ATLANTIC CORE
 NAVAL STATION
 NORFOLK, VIRGINIA

SHEET TITLE:
DETAILS

GLASS CONTRACTOR:

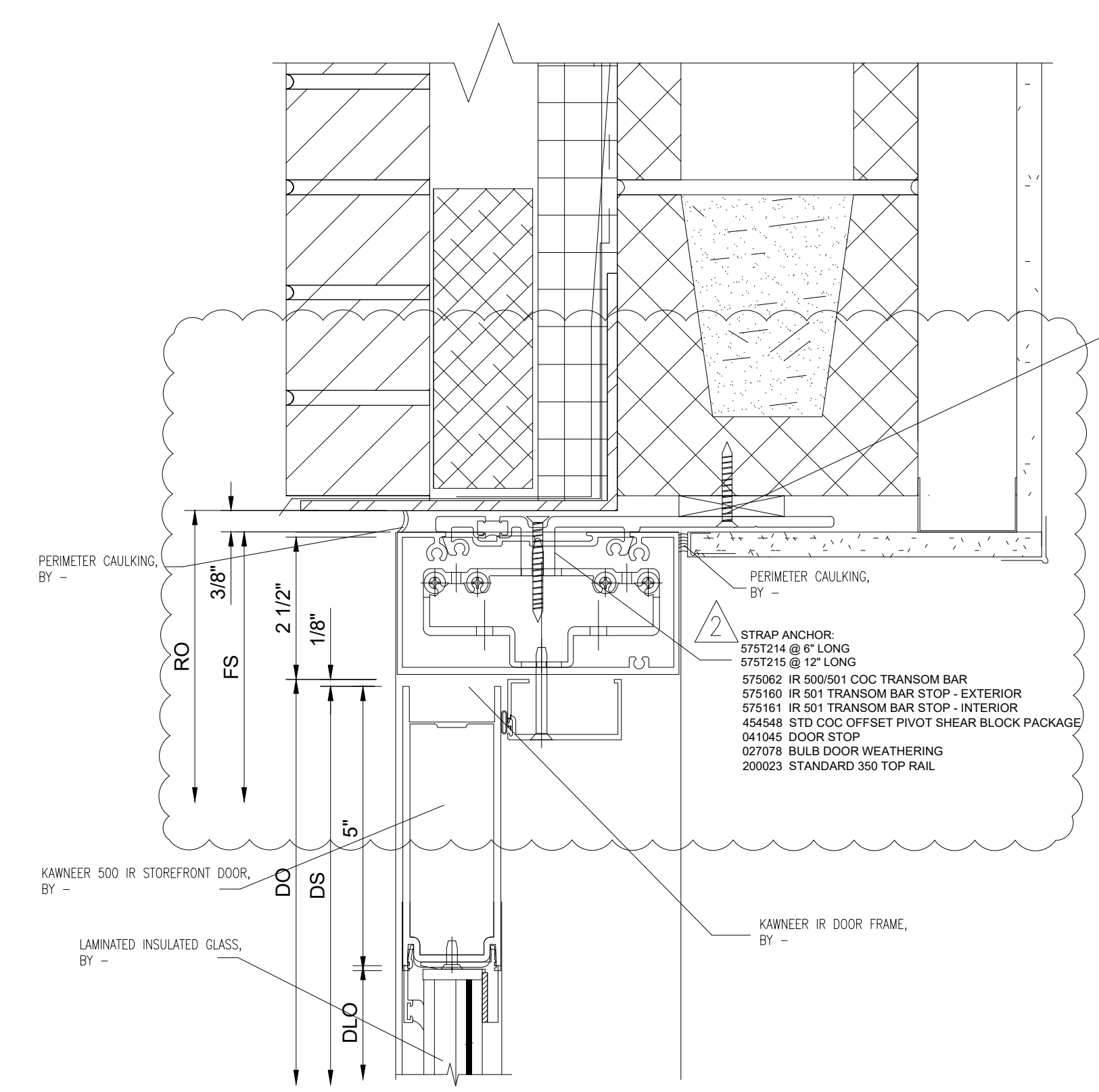
DRAWN BY:
 KS DRAFTING & DESIGN, LLC
 KYLE SCHNECK
 HARRISBURG, PA 17110
 KYLE@KSDRAFTINGDESIGNLLC.COM
 717-228-7114
 KSDRAFTINGDESIGNLLC.COM

ARCHITECT:

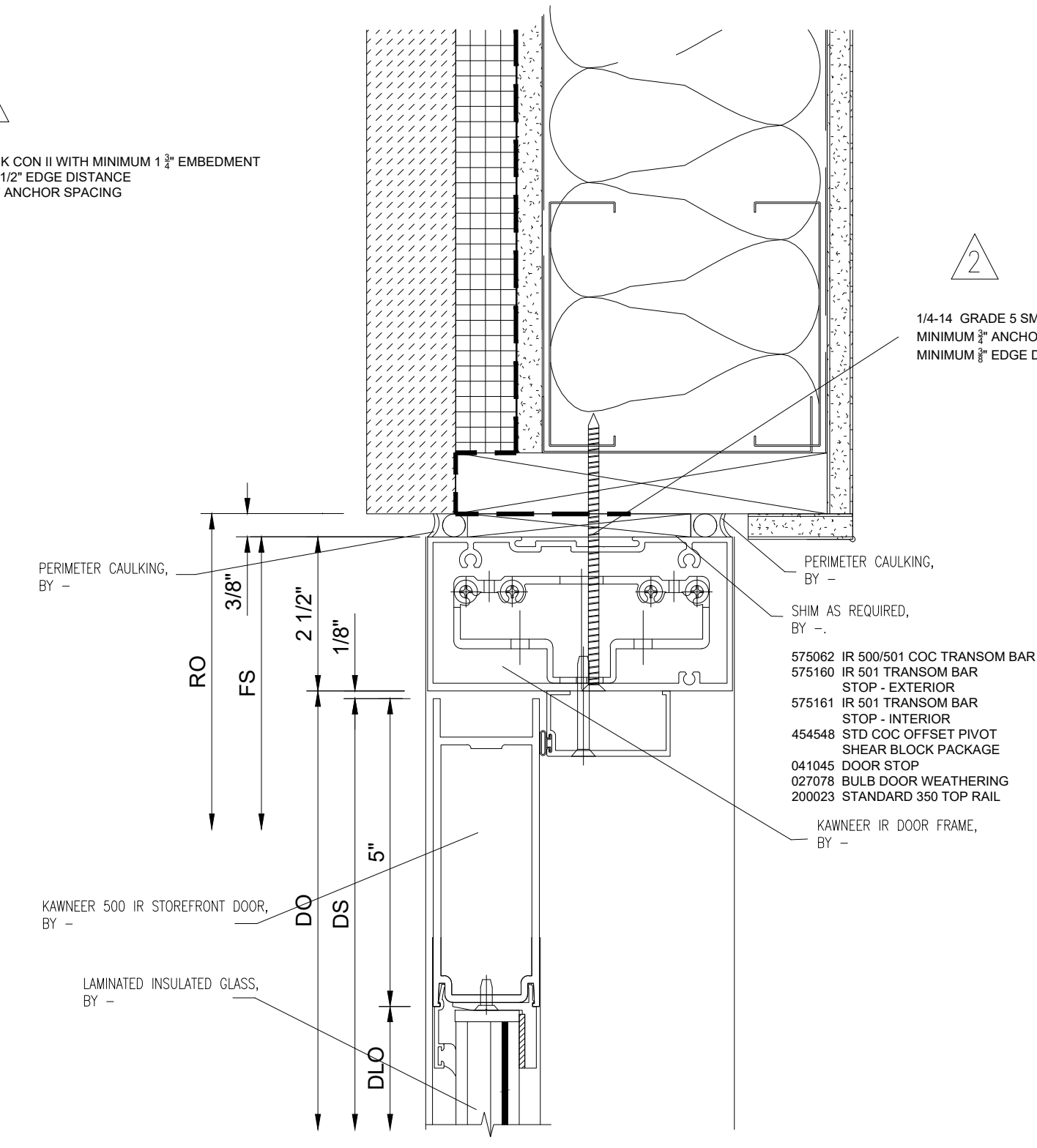
ENGINEER:

DRAWN BY:
BRIAN GANOE
 CHECKED & COORDINATED BY:
KYLE SCHNECK
 DATE:
02/12/2020

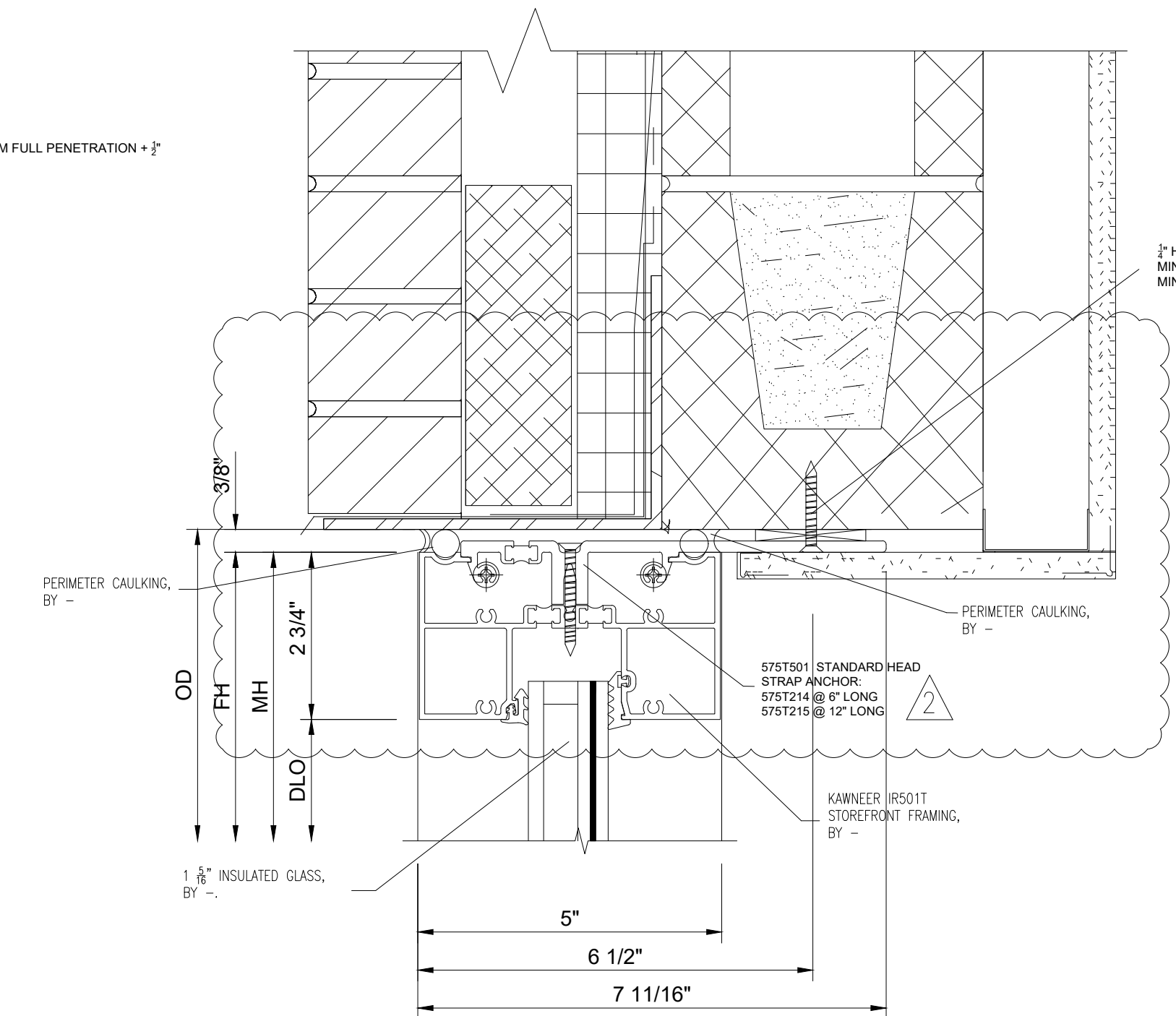
SHEET:
400



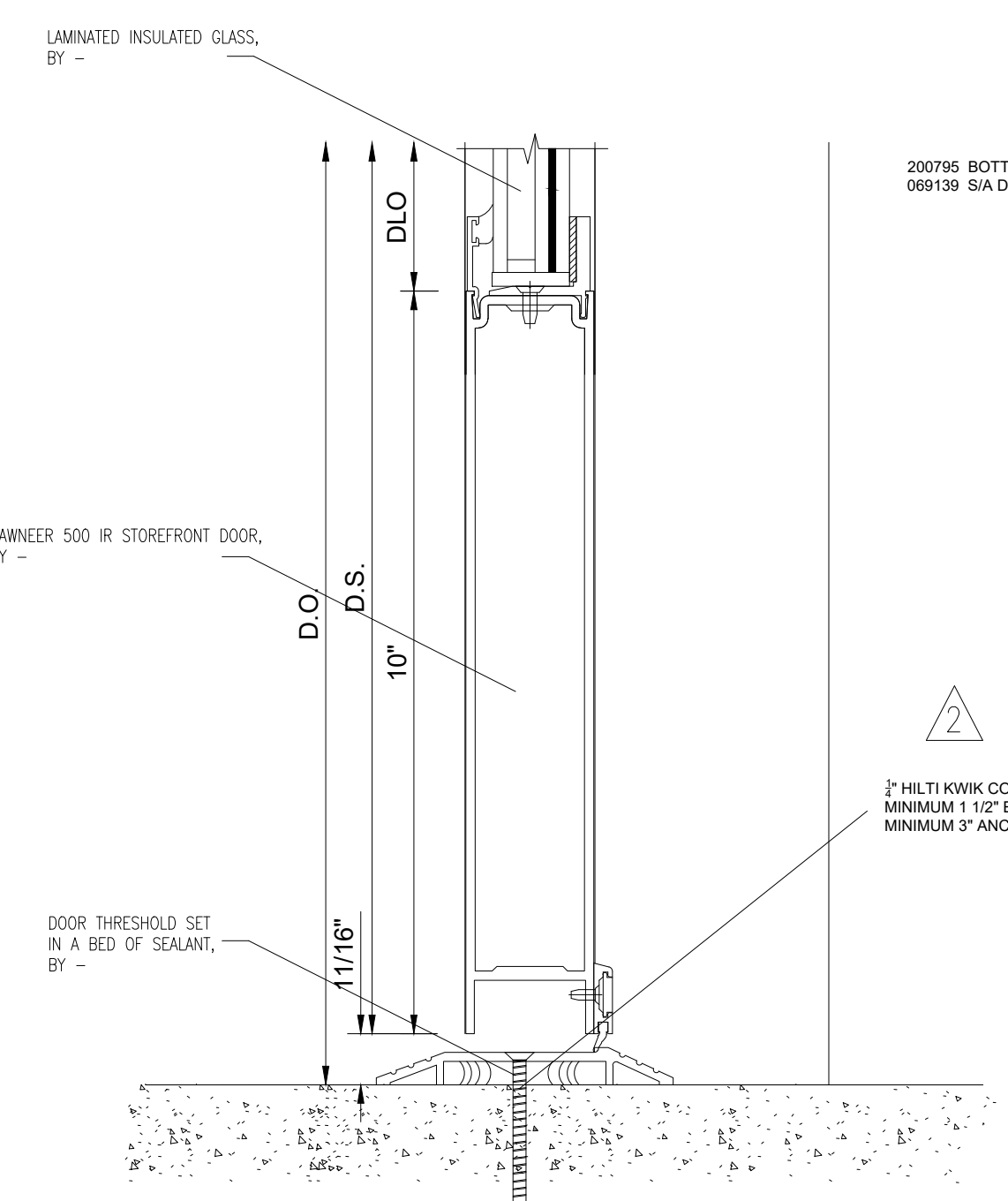
1 SECTION CUT
 @ STOREFRONT DOOR TOP RAIL
 H8/A-602



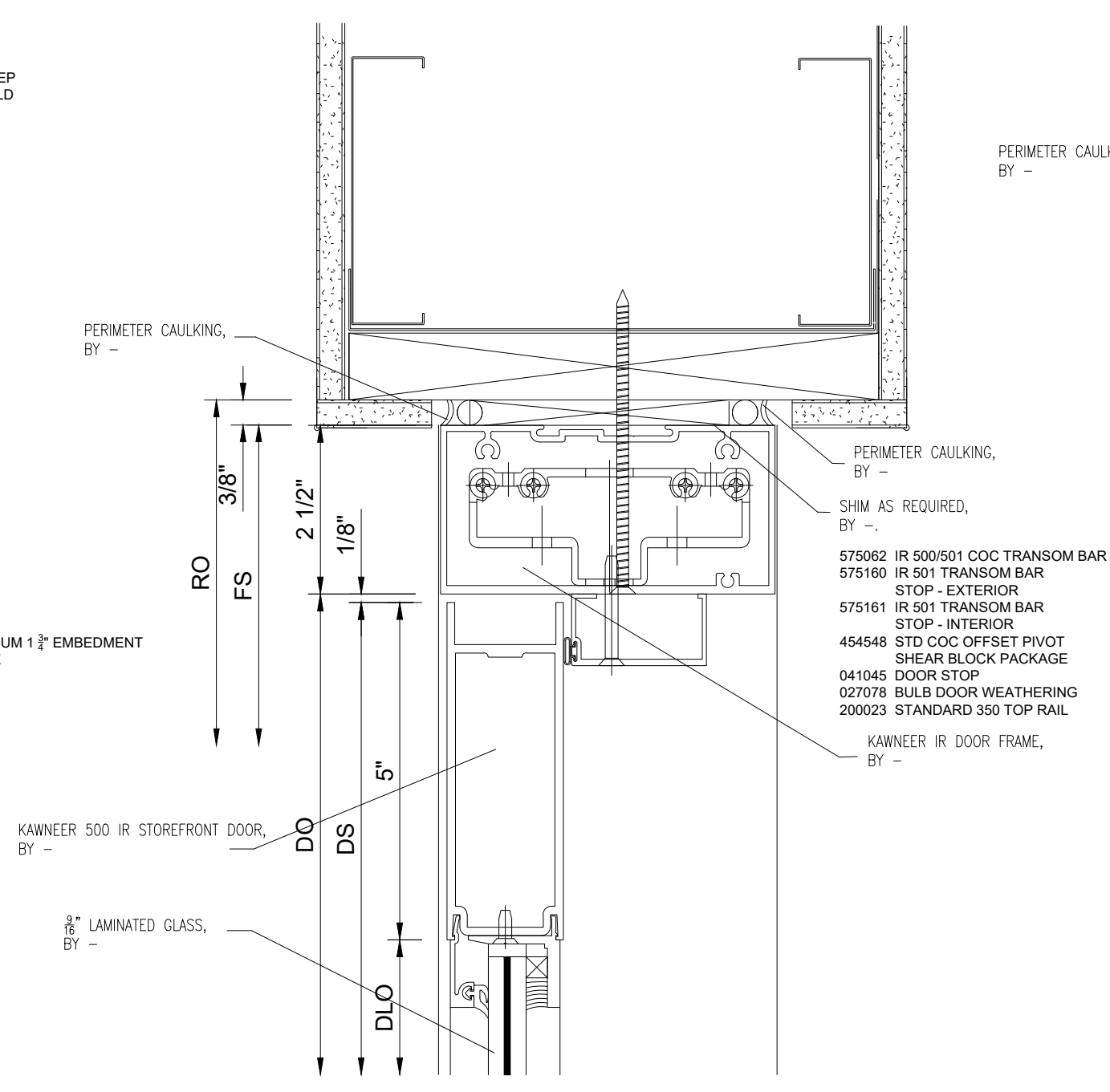
3 SECTION CUT
 @ STOREFRONT DOOR TOP RAIL



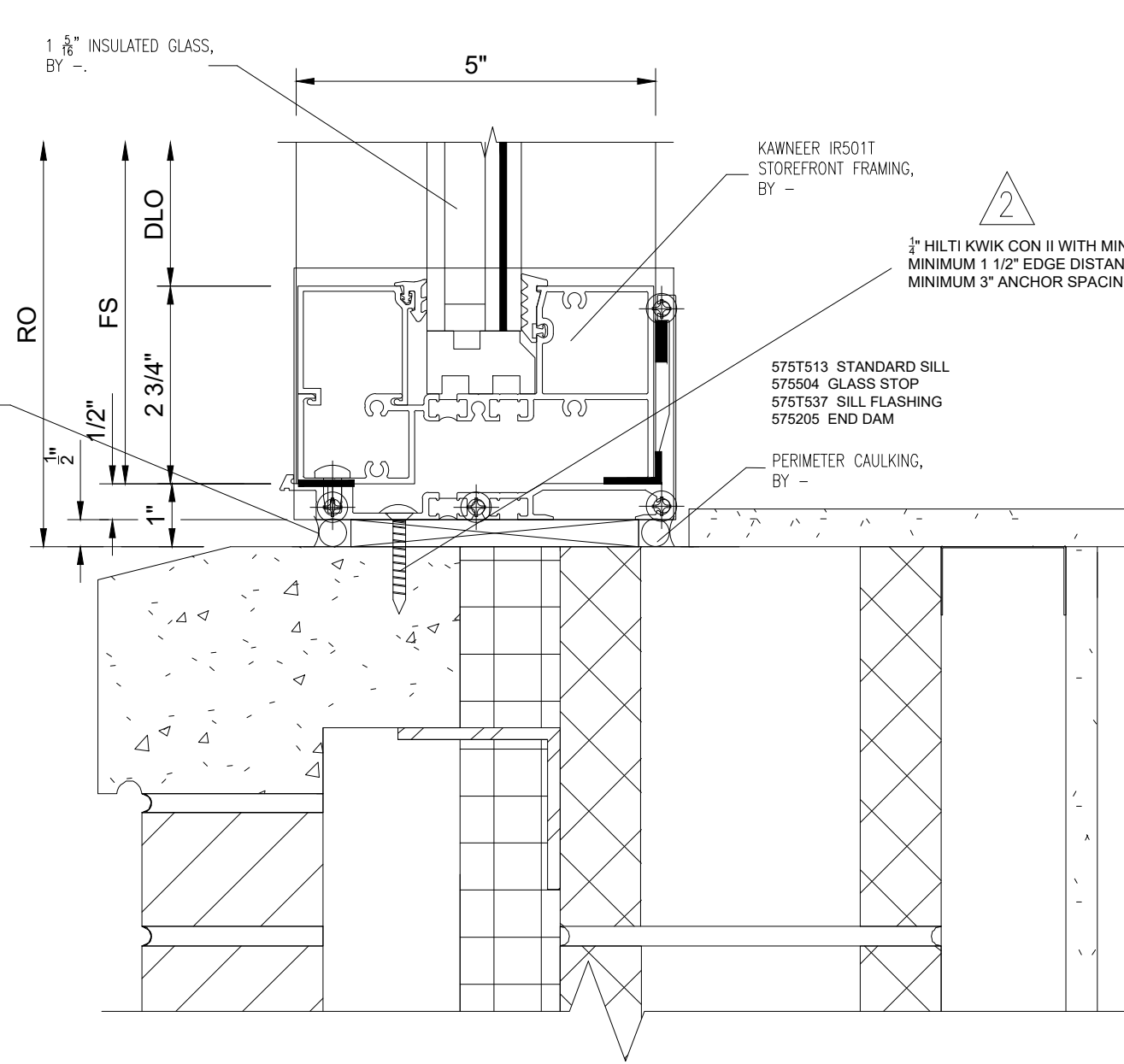
4 SECTION CUT
 @ STOREFRONT HEAD
 H8/A-602



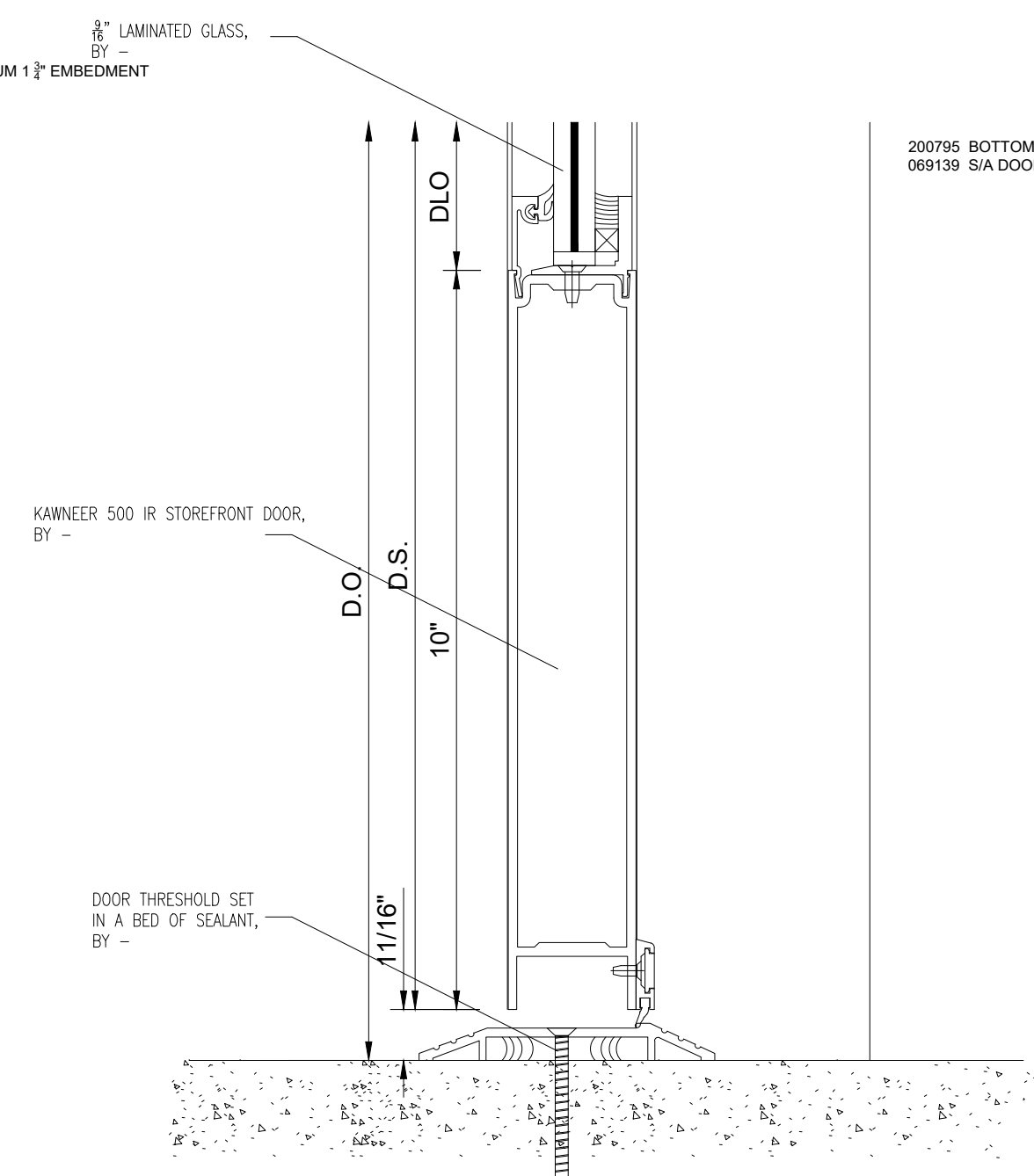
2 SECTION CUT
 @ STOREFRONT DOOR BOTTOM RAIL



6 SECTION CUT
 @ STOREFRONT DOOR TOP RAIL



5 SECTION CUT
 @ STOREFRONT SILL
 58/A-602



2A SECTION CUT
 @ STOREFRONT DOOR BOTTOM RAIL

NO.	REVISION/ISSUED	DATE
1	1ST SUBMITTAL	02/12/2020
2	PER COMMENTS	02/25/2020

PROJECT NAME & LOCATION:
 NAVAL FACILITIES ENGINEERING COMMAND
 MID-ATLANTIC CORE
 NAVAL STATION
 NORFOLK, VIRGINIA

SHEET TITLE:
DETAILS

GLASS CONTRACTOR:

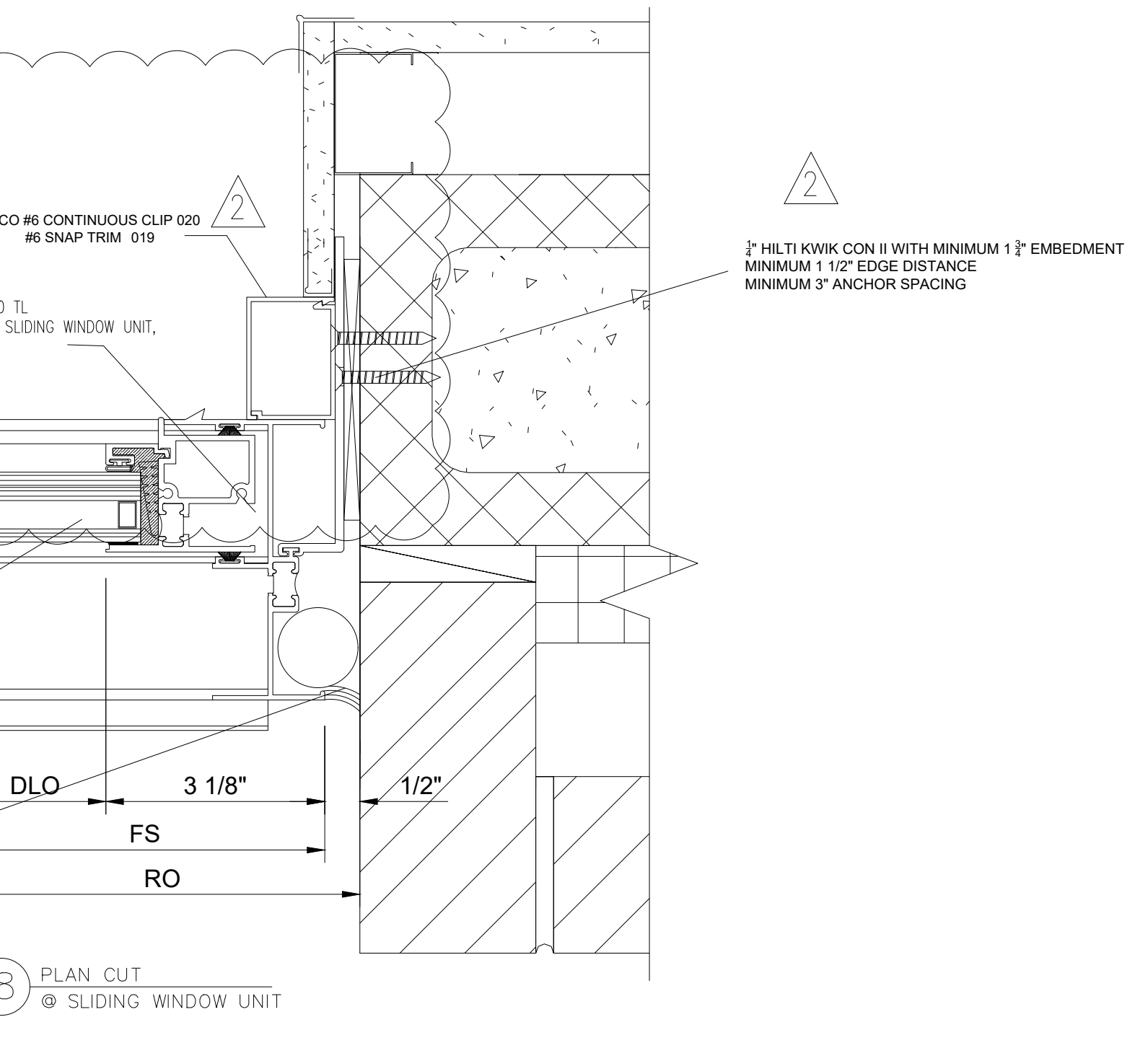
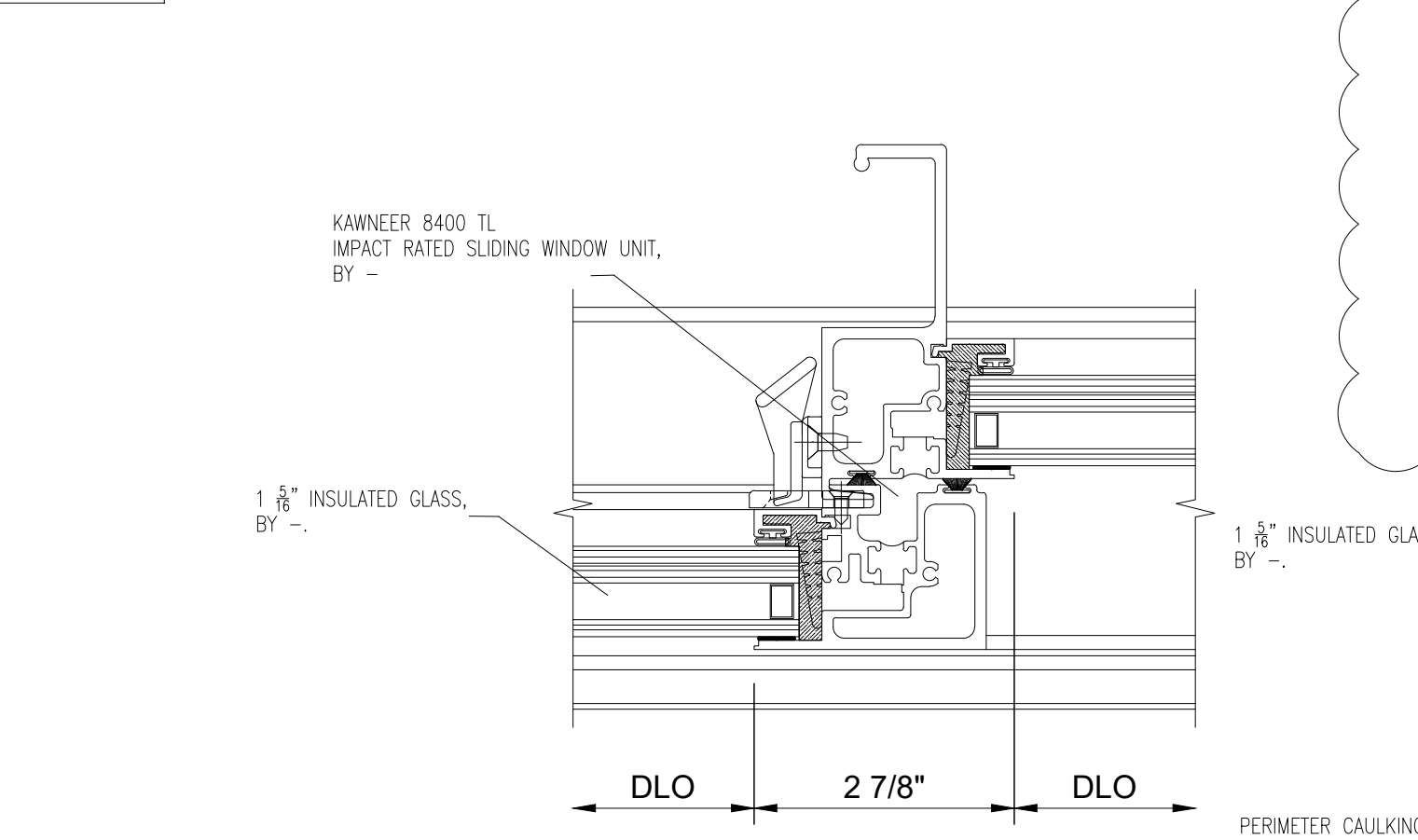
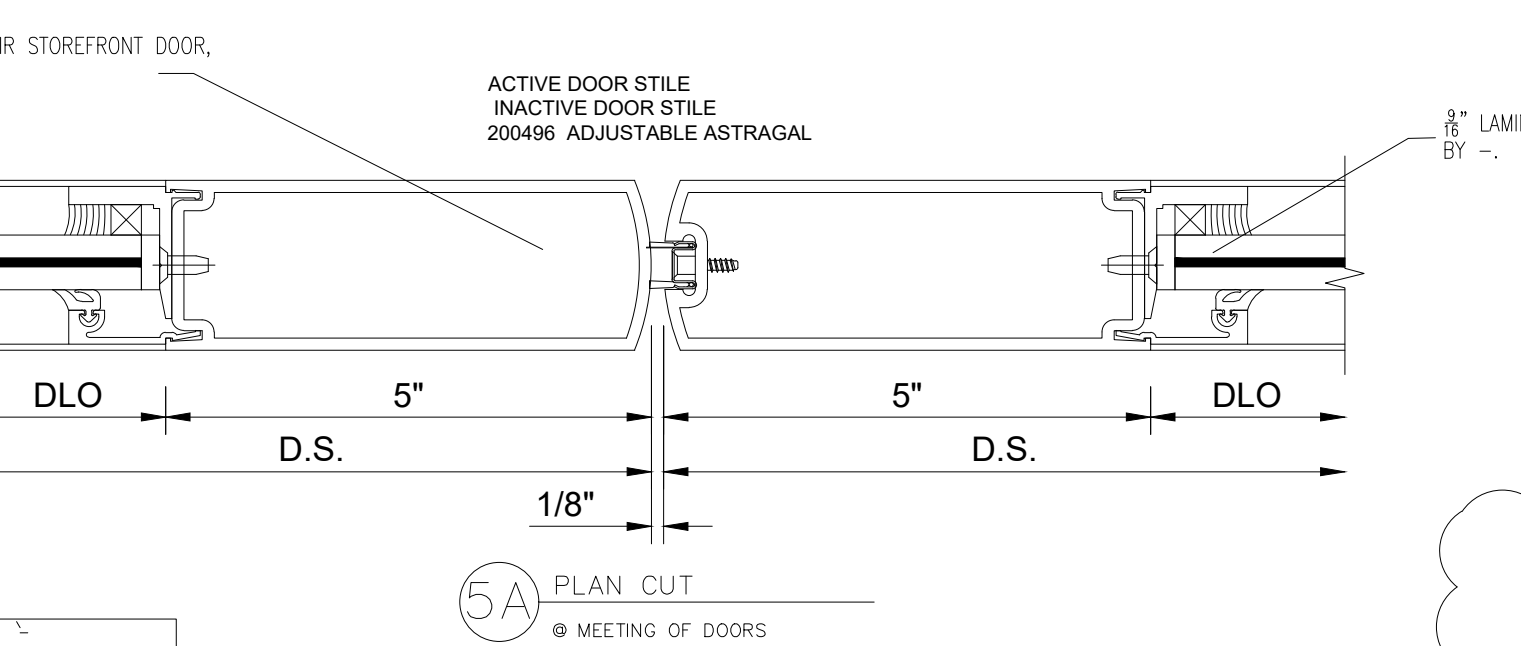
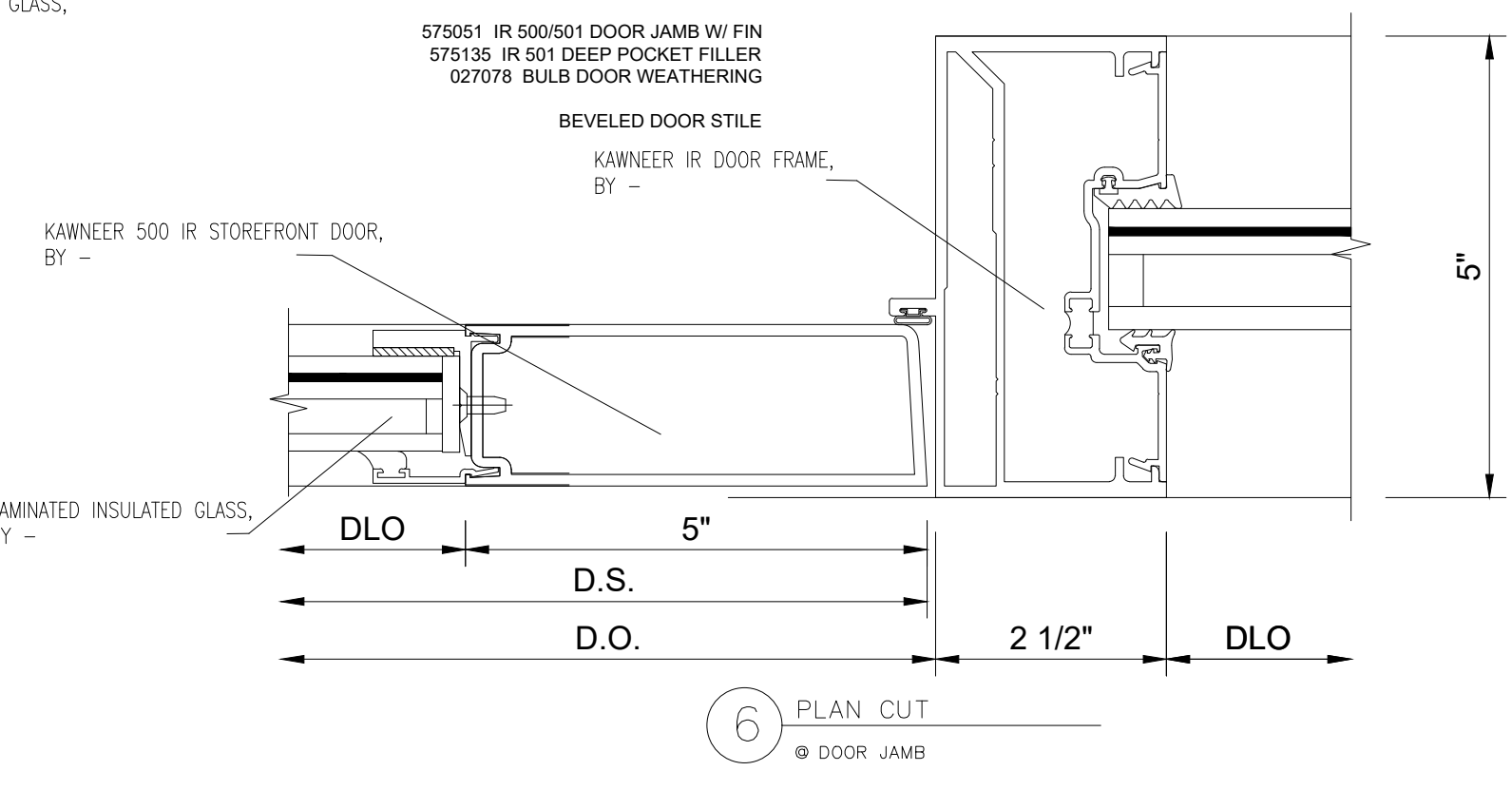
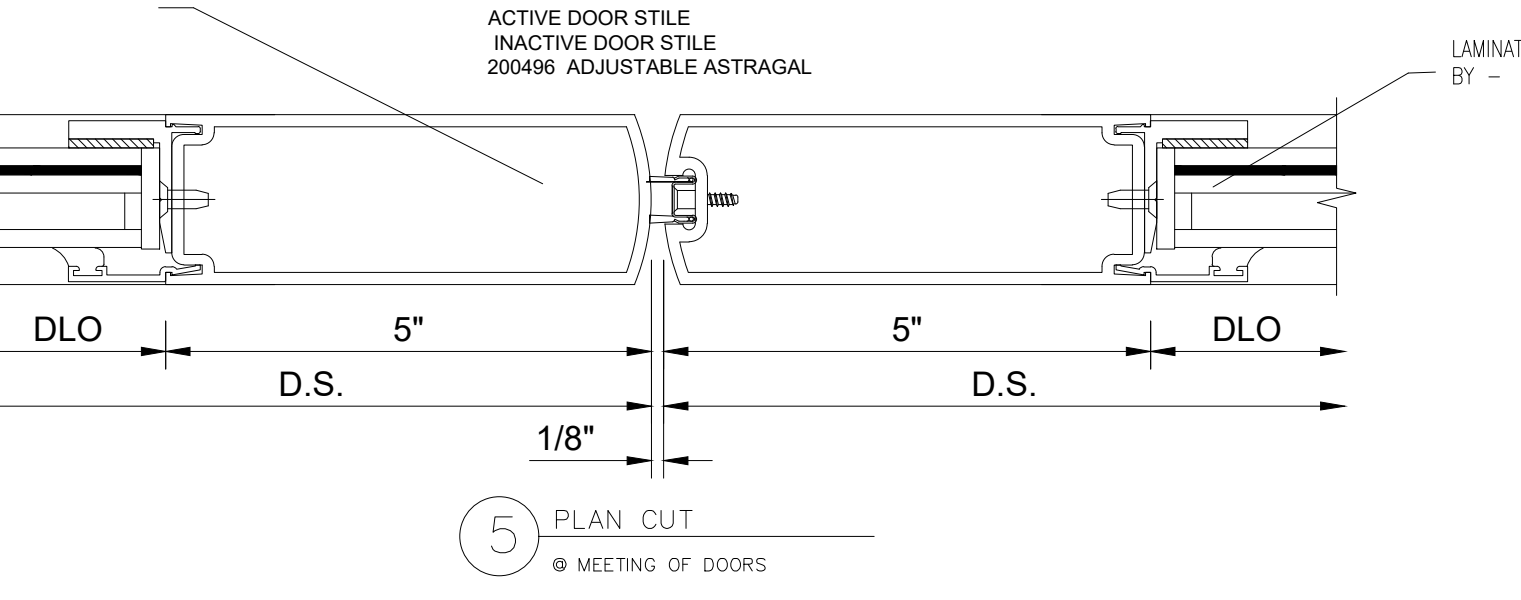
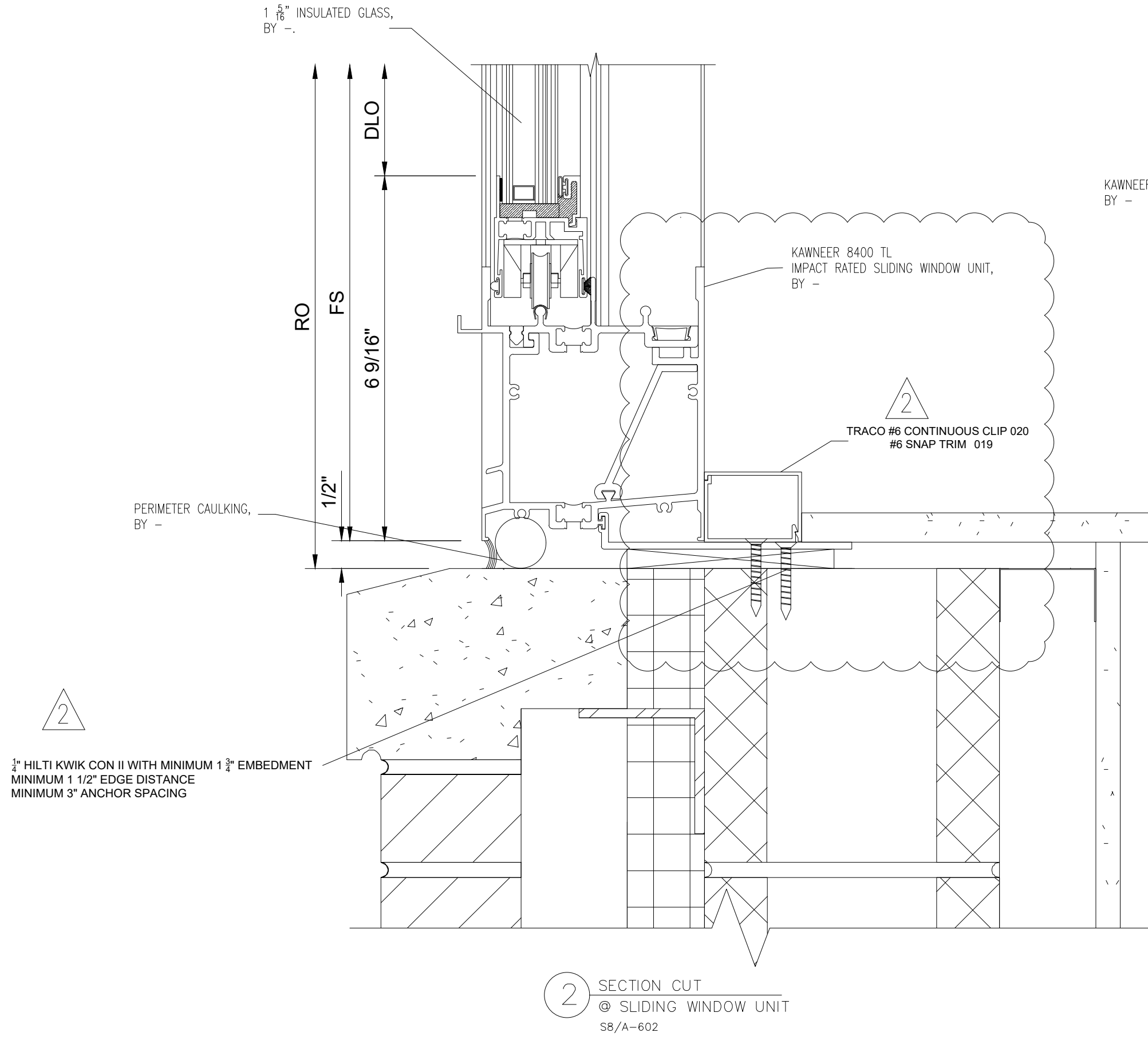
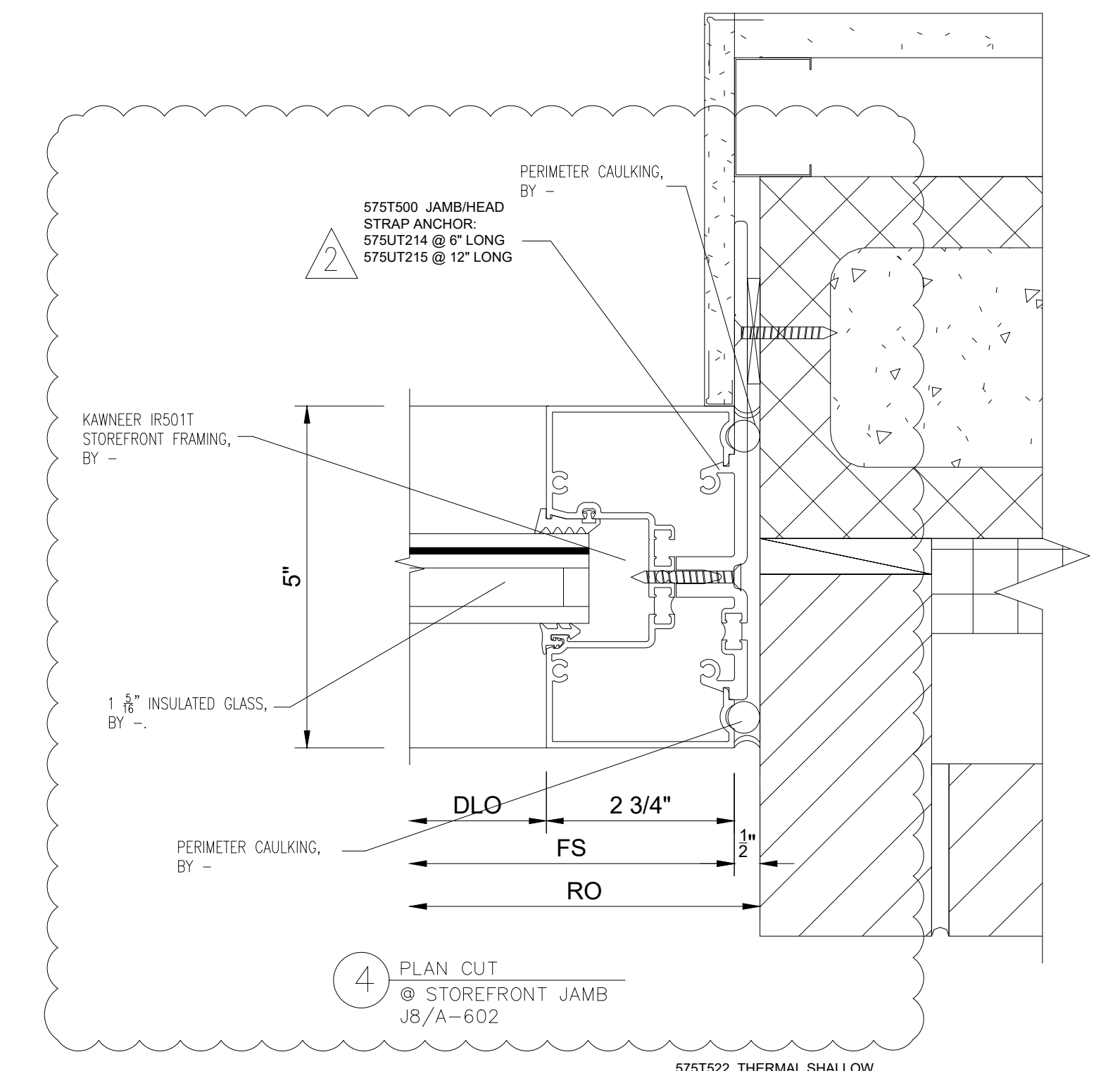
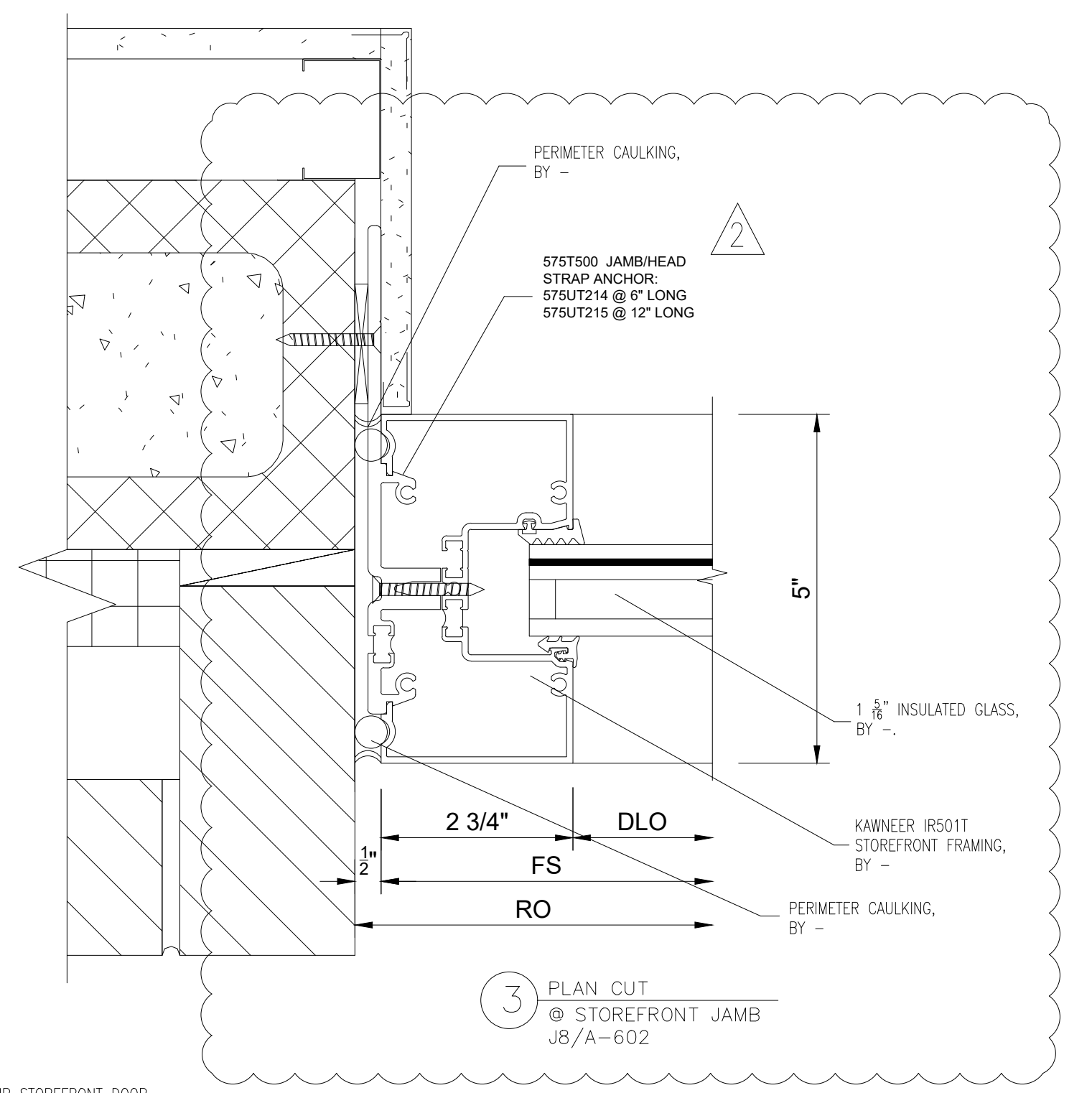
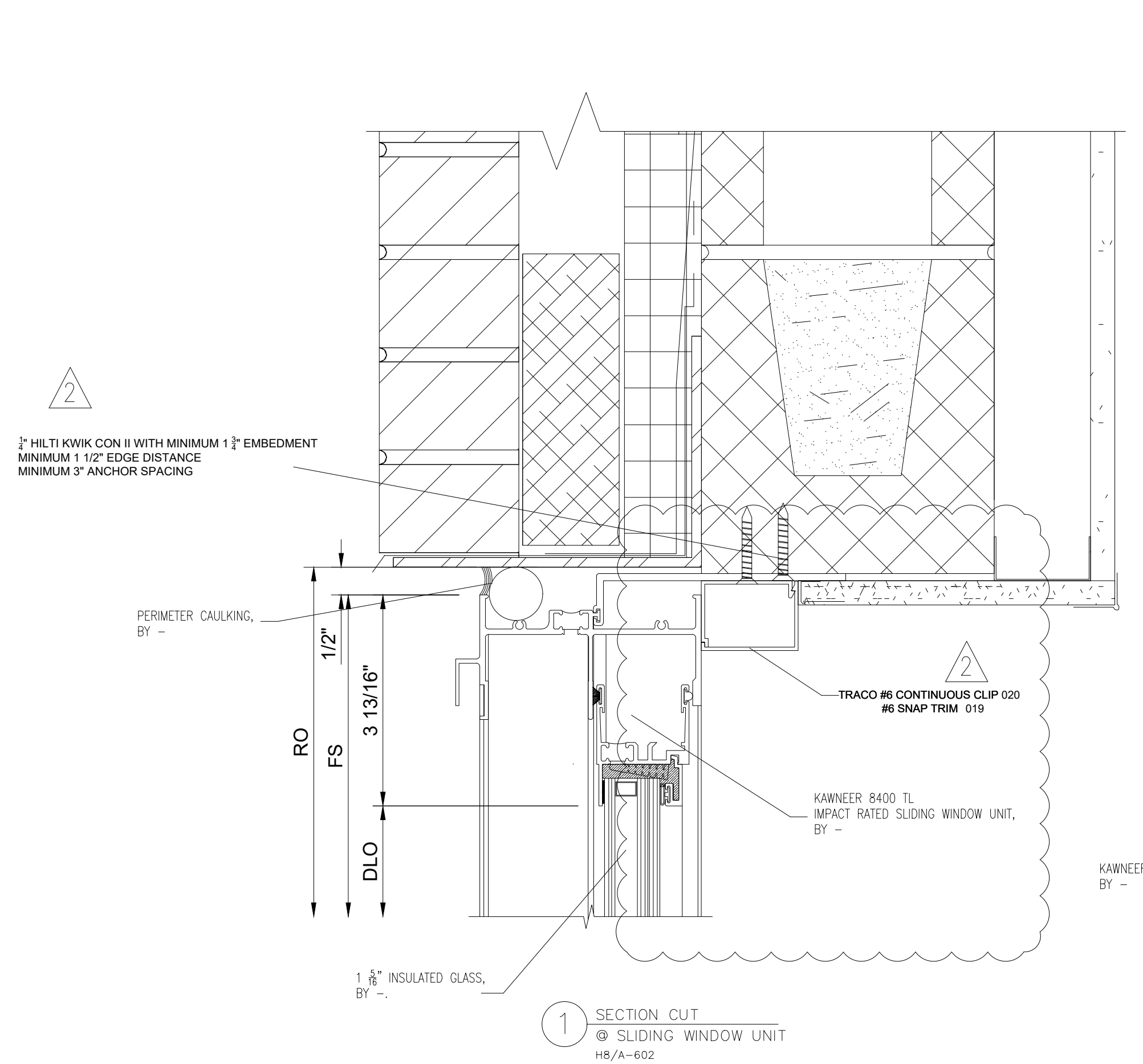
DRAWN BY:
 KS DRAFTING & DESIGN, LLC
 KYLE SCHNECK
 HARRISBURG, PA 17110
 KYLE@KSDRAFTINGDESIGNLLC.COM
 717-228-7114
 KSDRAFTINGDESIGNLLC.COM

ARCHITECT:

ENGINEER:

DRAWN BY:
BRIAN GANOE
 CHECKED & COORDINATED BY:
KYLE SCHNECK
 DATE:
02/12/2020

SHEET:
401



2
 1/2" HILTI KWIK CON II WITH MINIMUM 1 1/2" EMBEDMENT
 MINIMUM 1 1/2" EDGE DISTANCE
 MINIMUM 3" ANCHOR SPACING

2
 1/2" HILTI KWIK CON II WITH MINIMUM 1 1/2" EMBEDMENT
 MINIMUM 1 1/2" EDGE DISTANCE
 MINIMUM 3" ANCHOR SPACING

2
 1/2" HILTI KWIK CON II WITH MINIMUM 1 1/2" EMBEDMENT
 MINIMUM 1 1/2" EDGE DISTANCE
 MINIMUM 3" ANCHOR SPACING

NO.	REVISION/ISSUED	DATE
1	1ST SUBMITTAL	02/12/2020
2	PER COMMENTS	02/25/2020

PROJECT NAME & LOCATION:
 NAVAL FACILITIES ENGINEERING COMMAND
 MID-ATLANTIC CORE
 NAVAL STATION
 NORFOLK, VIRGINIA

SHEET TITLE:
DETAILS

GLASS CONTRACTOR:

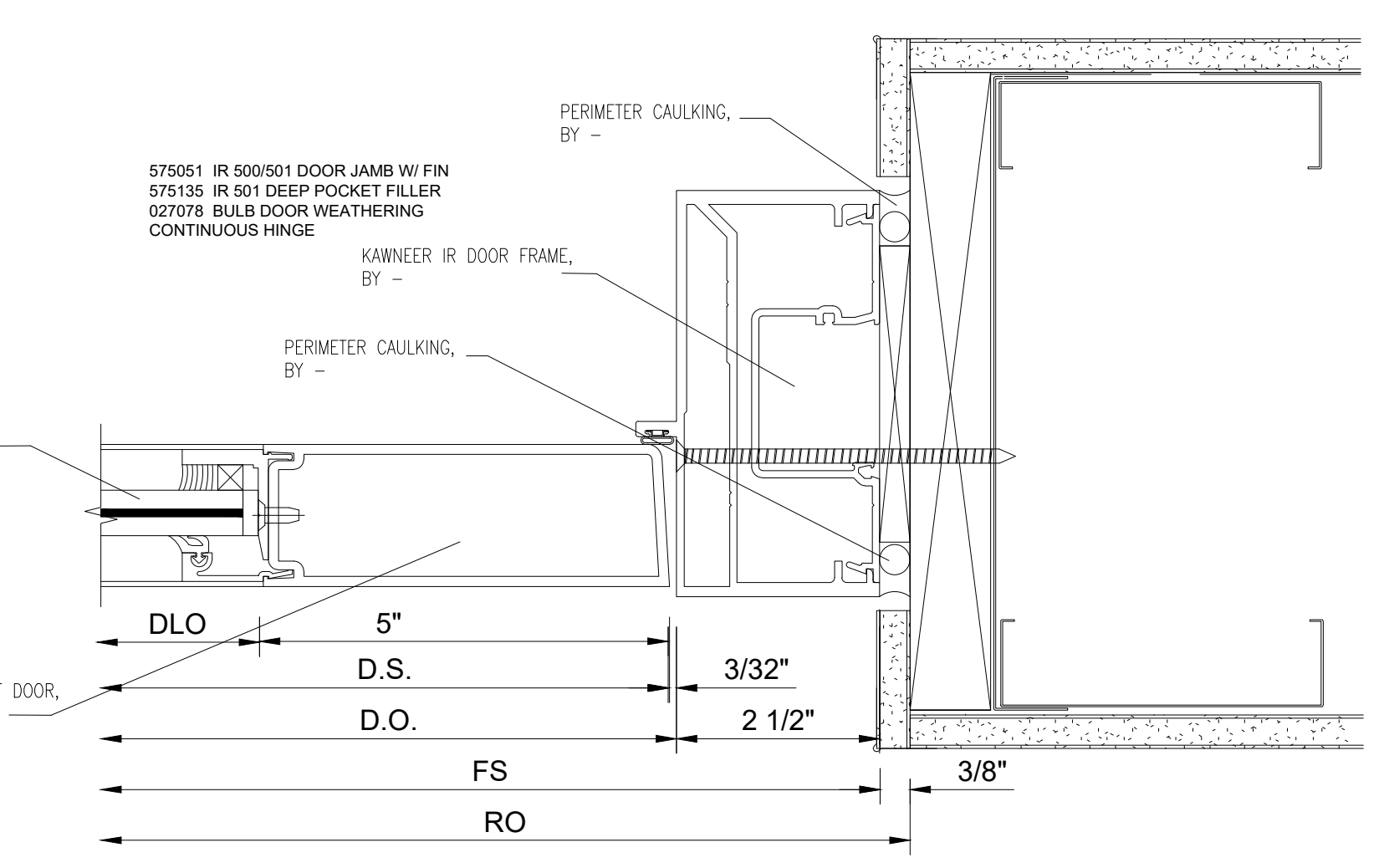
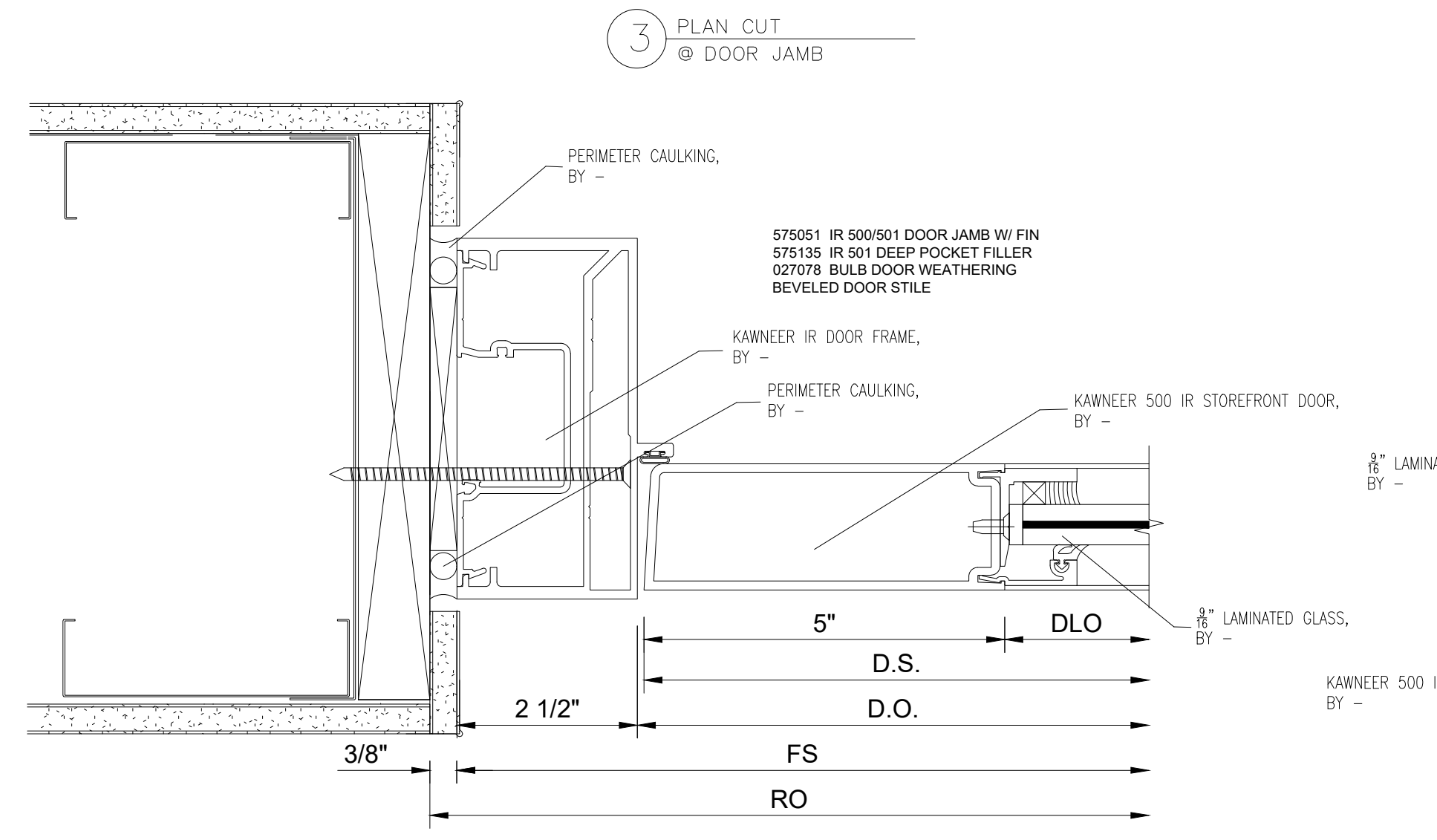
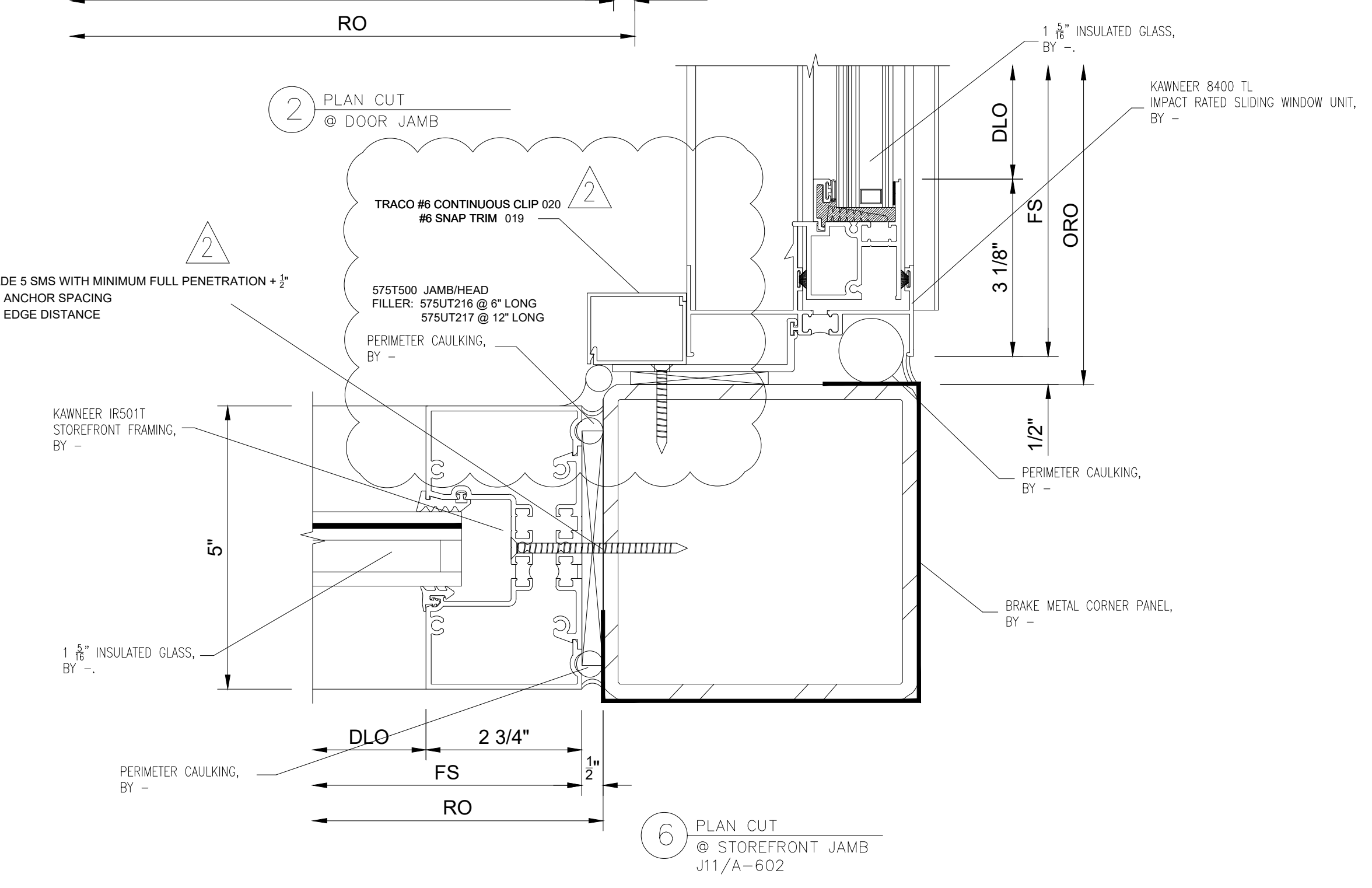
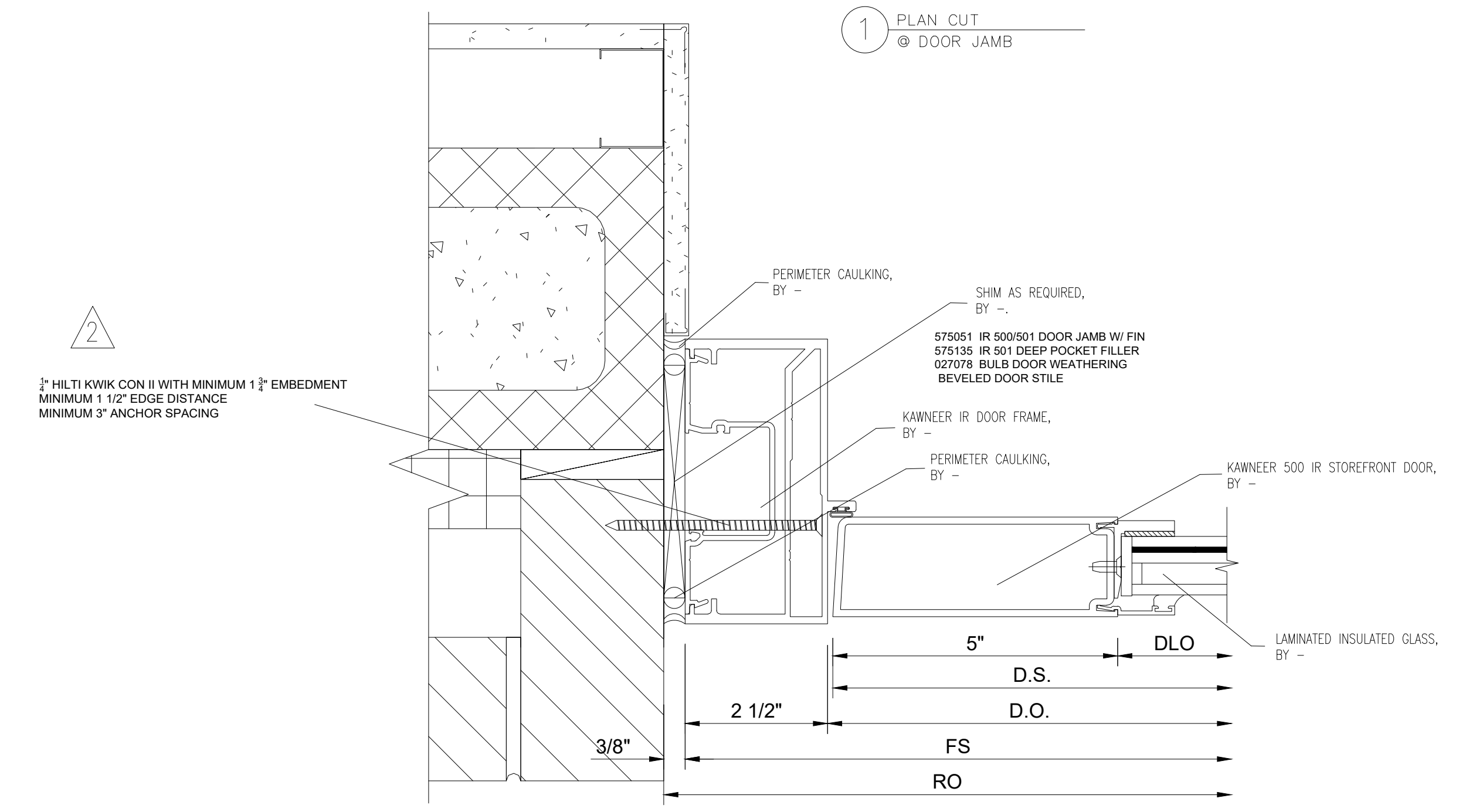
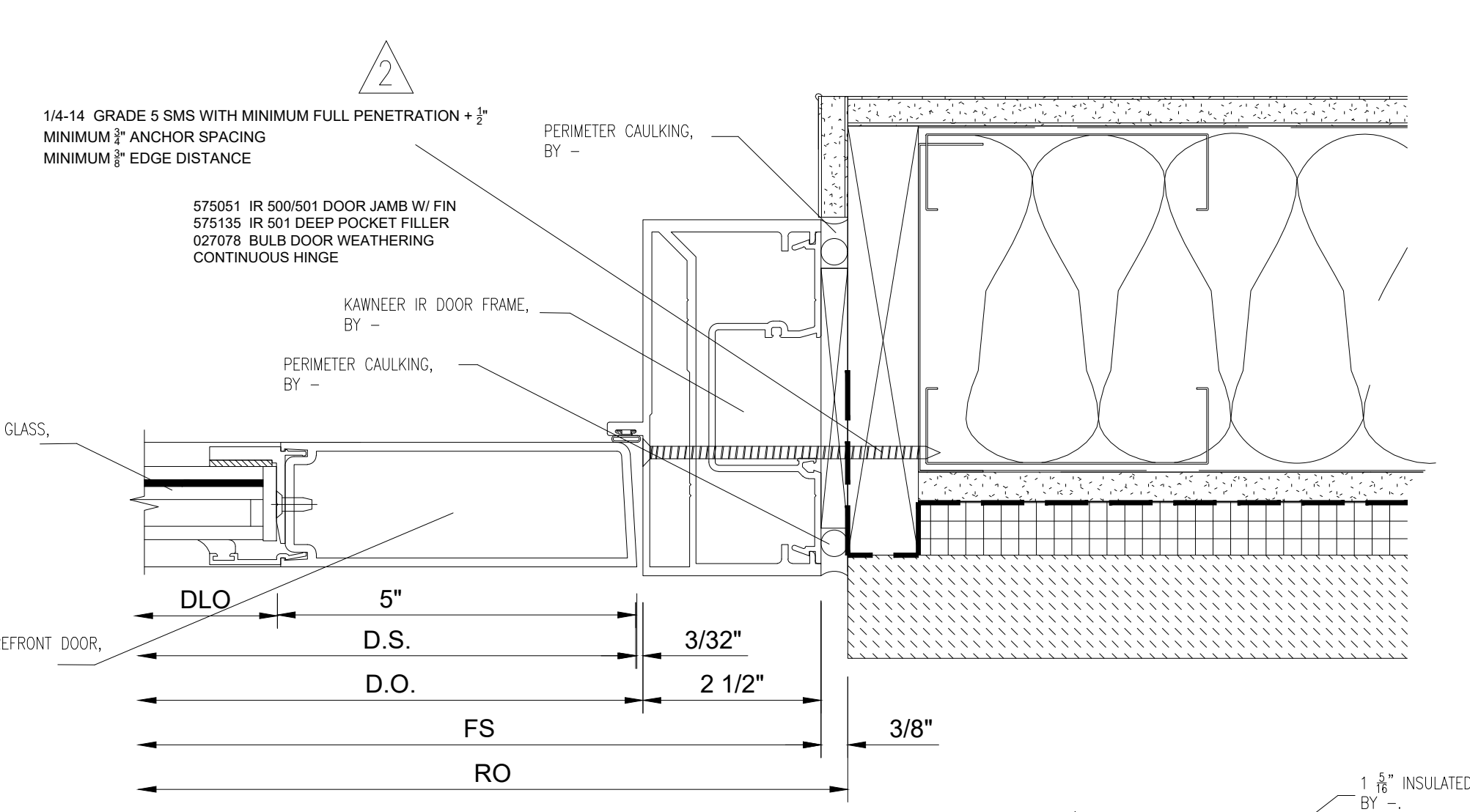
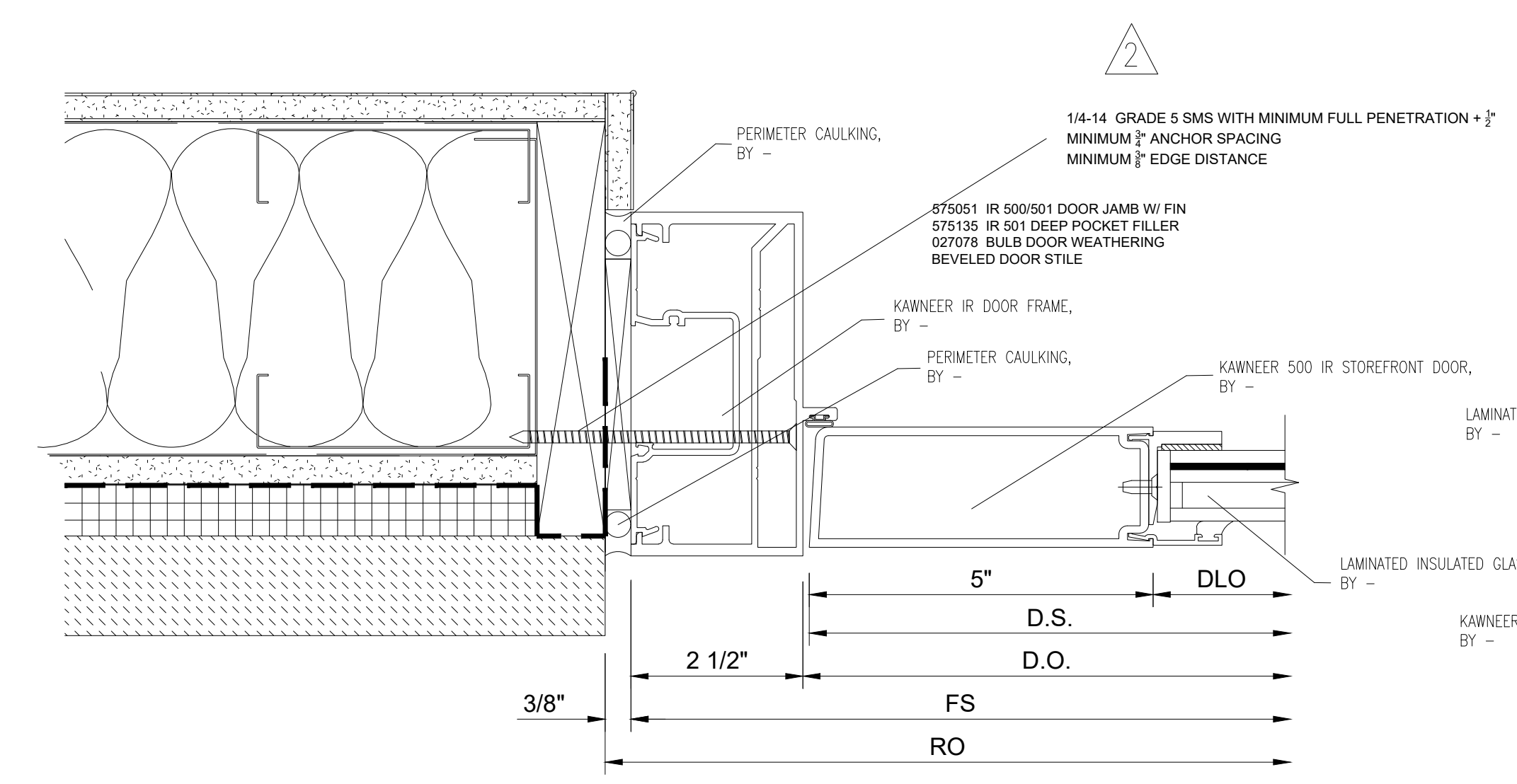
DRAWN BY:
 KS DRAFTING & DESIGN, LLC
 KYLE SCHNECK
 HARRISBURG, PA 17110
 KYLE@KSDRAFTINGDESIGNLLC.COM
 717-228-7114
 KSDRAFTINGDESIGNLLC.COM

ARCHITECT:

ENGINEER:

DRAWN BY:
 BRIAN GANOE
 CHECKED & COORDINATED BY:
 KYLE SCHNECK
 DATE:
 02/12/2020

SHEET:
402



3 PLAN CUT @ DOOR JAMB

6 PLAN CUT @ STOREFRONT JAMB J11/A-602

4 PLAN CUT @ DOOR JAMB

5 PLAN CUT @ DOOR JAMB

NO.	REVISION/ISSUED	DATE
1	1ST SUBMITTAL	02/12/2020
2	REVISION	02/25/2020

PROJECT NAME & LOCATION:
 NAVAL FACILITIES ENGINEERING COMMAND
 MID-ATLANTIC CORE
 NAVAL STATION
 NORFOLK, VIRGINIA

SHEET TITLE:
DETAILS

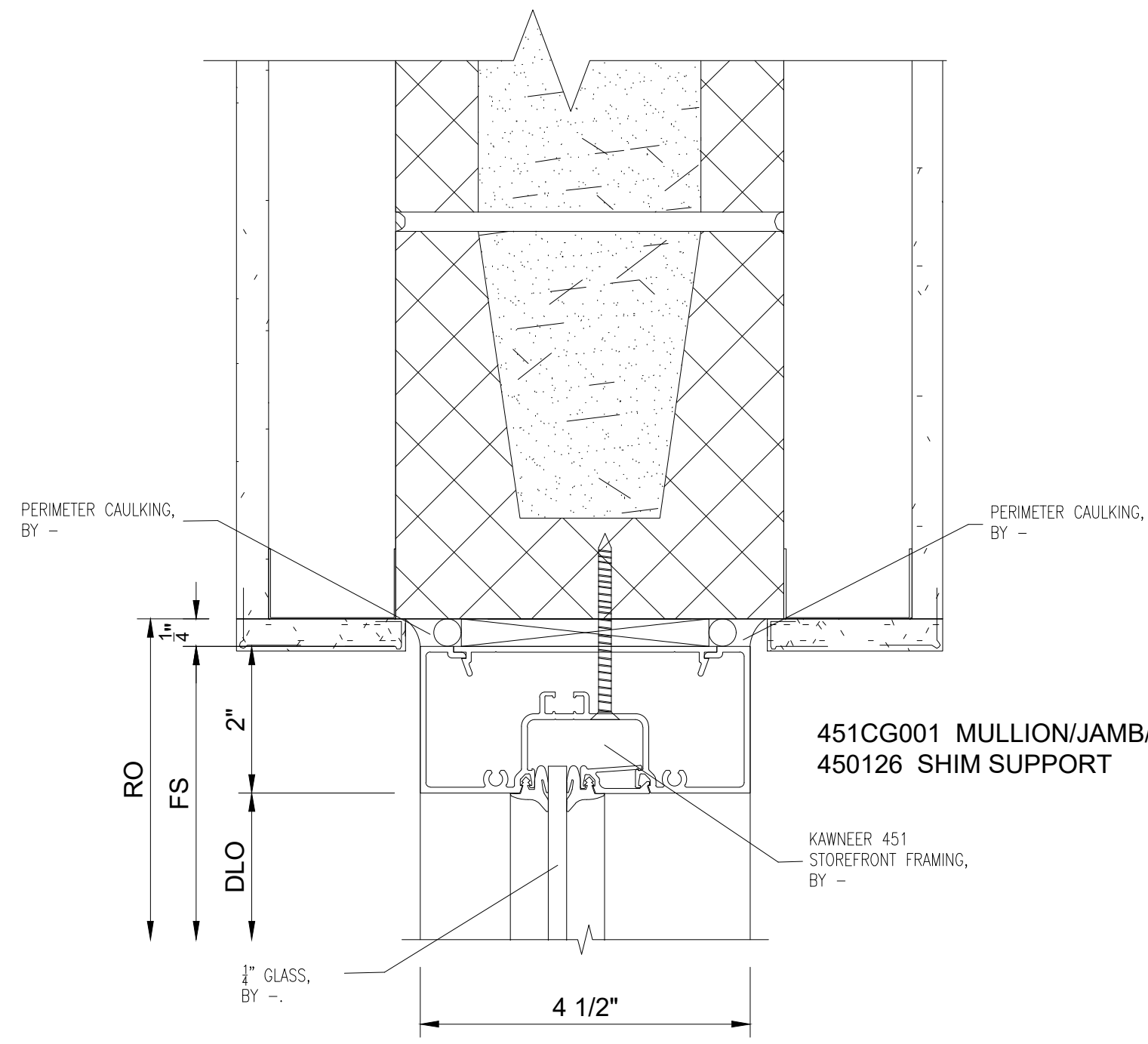
GLASS CONTRACTOR:

DRAWN BY:
 KS DRAFTING & DESIGN, LLC
 KYLE SCHNECK
 HARRISBURG, PA 17110
 KYLE@KSDRAFTINGDESIGNLLC.COM
 717-228-7114
 KSDRAFTINGDESIGNLLC.COM

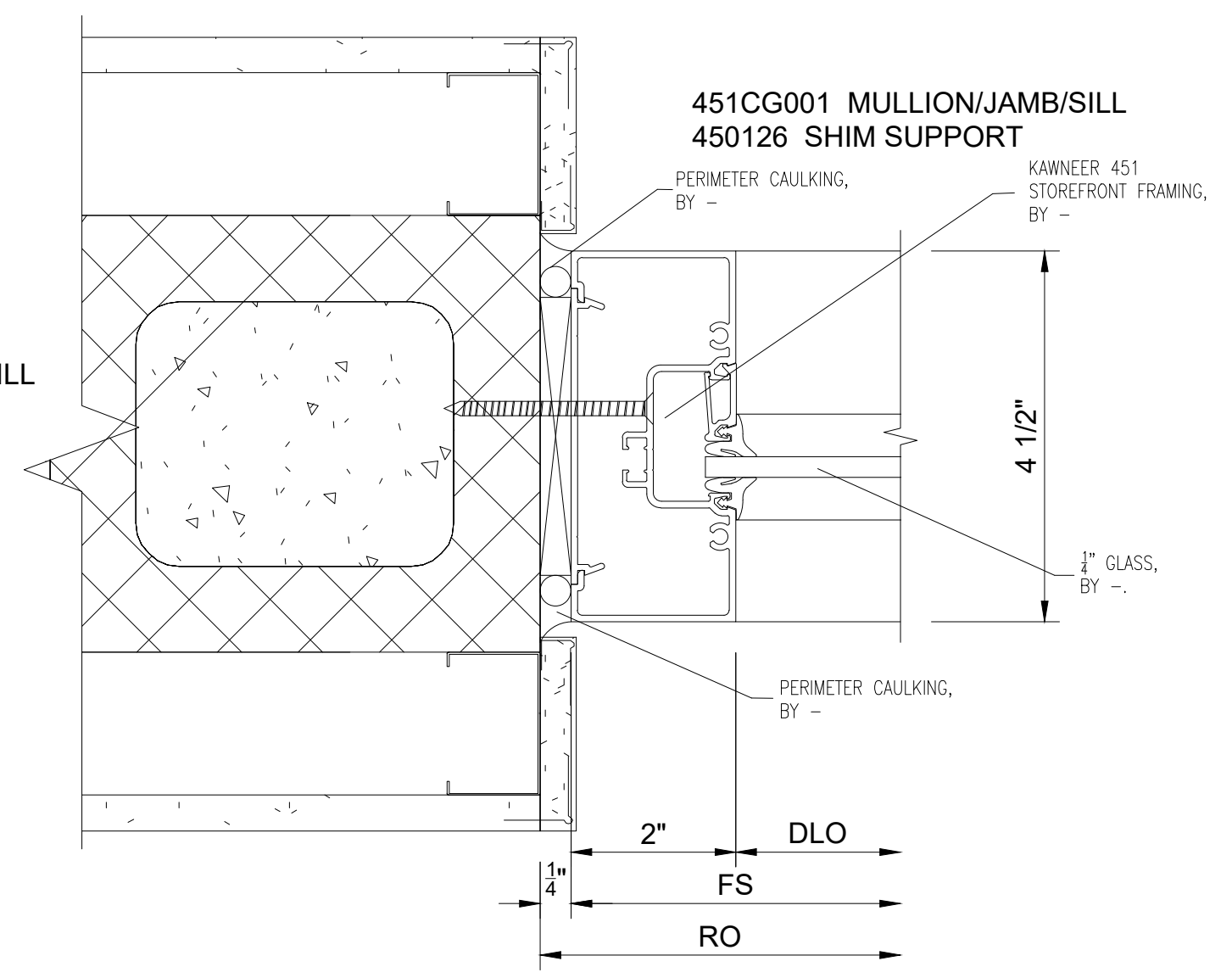
ARCHITECT:

ENGINEER:

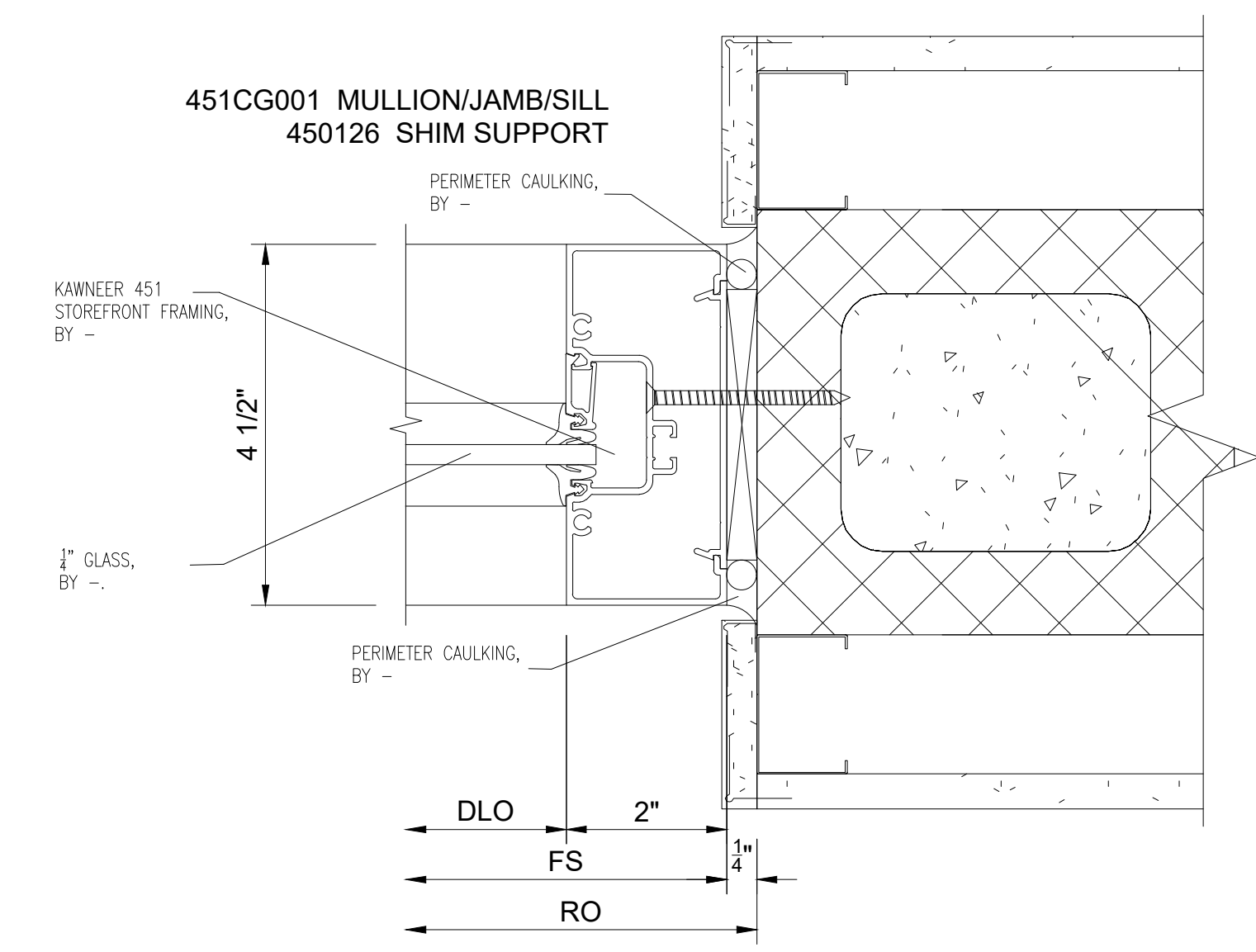
DRAWN BY: BRIAN GANOE	SHEET:
CHECKED & COORDINATED BY: KYLE SCHNECK	403
DATE: 02/12/2020	



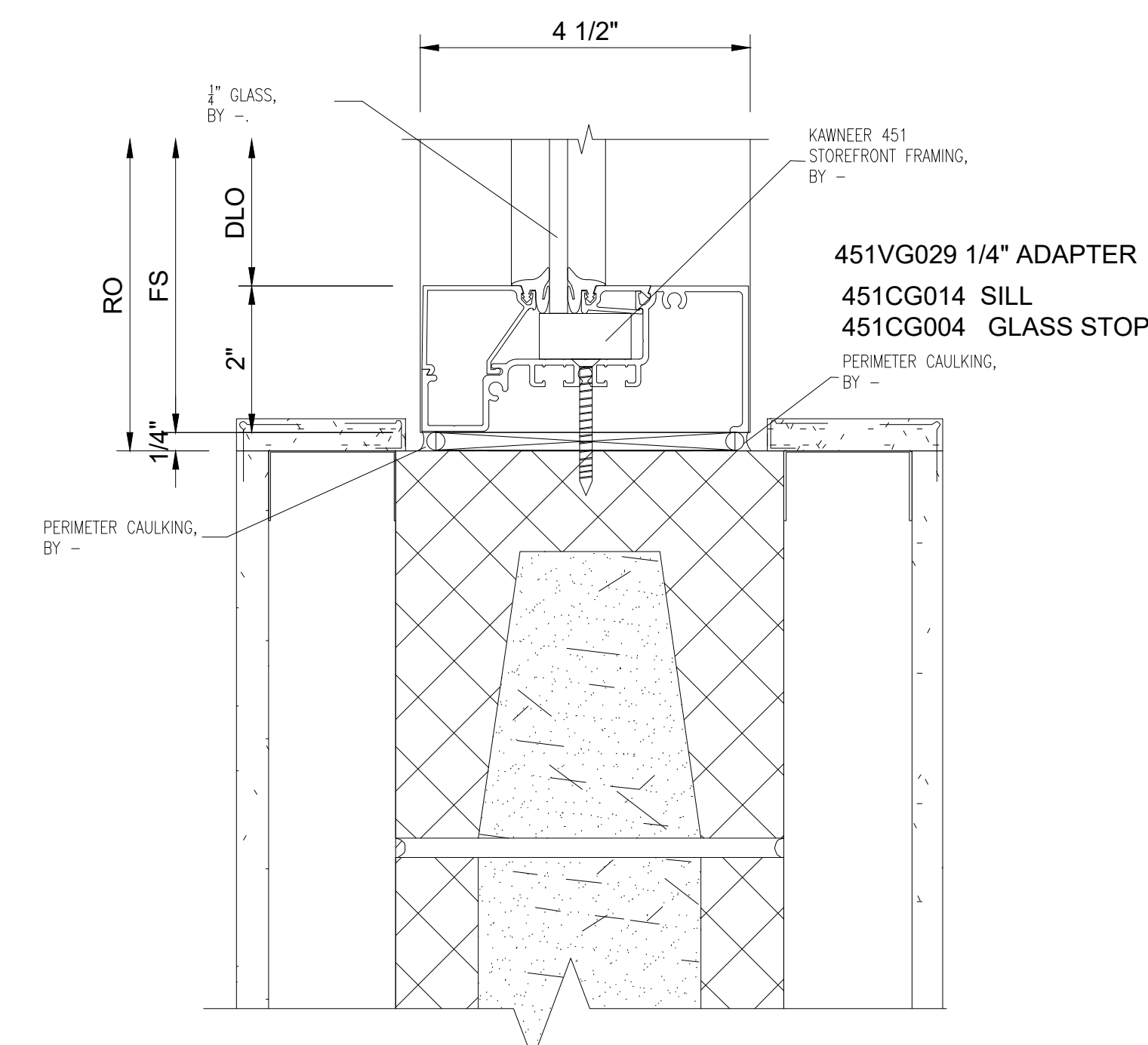
1 SECTION CUT
 @ STOREFRONT HEAD
 H10/A-602



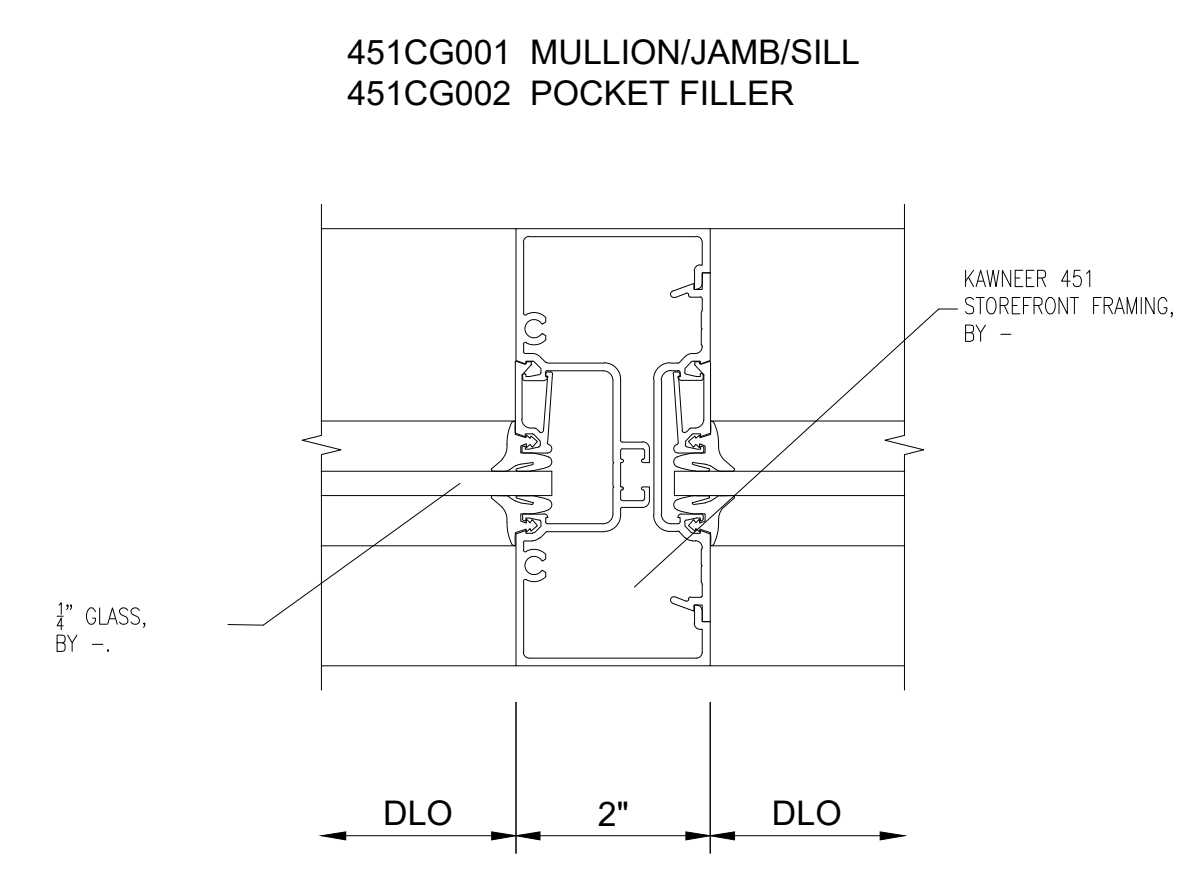
3 PLAN CUT
 @ STOREFRONT JAMB
 J10/A-602



5 PLAN CUT
 @ STOREFRONT JAMB
 J10/A-602



2 SECTION CUT
 @ STOREFRONT SILL
 S10/A-602



4 PLAN CUT
 @ STOREFRONT VERTICAL