

SYMBOLS			
	ELEVATION NAME		
	DETAIL NAME		
	ELEVATION CALLOUT		
	SECTION CALLOUT		
	REVISED ITEM		
	REVISION NUMBER		

INFORMATION AVAILABLE TO PREPARE DRAWINGS

ARCHITECTURAL DRAWINGS DATED - 09/30/2016
EMAILED NOTES

GENERAL NOTES

1.) LIMITATIONS: THESE DRAWINGS REPRESENT AN INTERPRETATION OF ARCHITECTURAL INFORMATION MADE AVAILABLE TO KS DRAFTING & DESIGN, LLC. KS DRAFTING & DESIGN, LLC. MAKES NO REPRESENTATION OR WARRANTY TO THE PERFORMANCE OR COMPLETENESS OF THE ARCHITECTURAL DETAILS OF THE SURROUNDING AREAS.

2.) CONFIRMATION: ANY LISTED TOLERANCES, DIMENSIONS, DEFLECTION, ANCHORAGE, REFERENCES, AND FUNCTIONAL PERFORMANCE REQUIREMENTS SHALL BE CONFIRMED WITH THE ARCHITECT, AND VALIDATED BY FIELD MEASUREMENTS TO ENSURE SIZING, PERFORMANCE COMPLIANCE, AND ARCHITECTURAL INTENT.

3.) ACCEPTANCE: FINAL APPROVAL OF THESE DRAWINGS CONSTITUTES ACCEPTANCE OF ALL DEVIATIONS, IF ANY, AND ALL WORK CONTAINED HEREIN.

4.) USE: KS DRAFTING & DESIGN, LLC. ASSUMES NO RESPONSIBILITY FOR THE USE OF THESE DRAWINGS BY OTHER TRADES.

5.) COMPLIANCE: ARCHITECT, ENGINEER, GENERAL CONTRACTOR, AND MISC. TRADES ARE RESPONSIBLE FOR THE SELECTION, INSTALLATION, AND ADJUSTMENT OF SYSTEMS TO ENSURE COMPLIANCE WITH ALL APPLICABLE DESIGN, ENERGY, RATING, BUILDING, AND/ OR SAFETY CODES.

6.) QUALITY OF CONSTRUCTION: ROUGH OPENINGS MAY NOT BE PLUMB, SQUARE, OR LEVEL. CONTRACTOR TO VERIFY EXISTING OPENINGS.

7.) RELEASE OF LIABILITY: THESE DRAWINGS HAVE BEEN PREPARED BY KS DRAFTING & DESIGN, LLC. FOR USE BY THE CUSTOMER. THE CUSTOMER AGREES TO ASSUME ALL LIABILITY AND ANY CLAIMS THAT MAY ARISE FROM THE USE OF, OR INFORMATION CONTAINED IN THESE DRAWINGS.

NO.	REVISION/ISSUED	DATE
1	1ST SUBMITTAL	01/25/2017

NOTES TO GENERAL CONTRACTOR

PLEASE CONFIRM THAT THE SURROUNDING CONDITIONS OUTLINED IN THESE DRAWINGS ARE ACCURATE TO THE TRUE FIELD CONDITIONS, AND THAT ALL ROUGH OPENINGS SHOWN ARE ACCURATE TO FIELD CONDITIONS AND SIZES.

NOTES TO ARCHITECT

PROJECT NAME & LOCATION:
MOUNT HOLYOKE COLLEGE
50 COLLEGE STREET
SOUTH HADLEY, MA 01075

SHEET TITLE:
COVER SHEET

PROJECT:
MOUNT HOLYOKE COLLEGE
50 COLLEGE STREET
SOUTH HADLEY, MA 01075

GLASS INFORMATION	
MARK	GLASS DESCRIPTION
G1	1" INSULATED UNIT: 1/4" CLEAR, SOLARBAN 60 ON #2, TEMPERED 1/2" ARGON FILLED AIR SPACER 1/4" CLEAR, TEMPERED
G2	1" INSULATED UNIT: 1/4" CLEAR, SOLARBAN 60 ON #2, ANNEALED 1/2" ARGON FILLED AIR SPACER 1/4" CLEAR, ANNEALED
P	1" INSULATED MAPES - R PANELS
WM	MCNICHOLS MESH SCREEN POWDER COATED DARK BRONZE

MATERIALS
KAWNEER 1600 2 1/2" X 7 1/2" CURTAINWALL FRAMING
EFCO 5600 2 1/2" X 7 1/2" CURTAINWALL FRAMING (FOR REWORK OF EXISTING FRAMING WHERE NOTED)
KAWNEER ENCORE 1 3/4" X 6" EXTERIOR STOREFRONT FRAMING
KAWNEER ENCORE 1 3/4" X 4 1/2" EXTERIOR STOREFRONT FRAMING
KAWNEER AA425 INSULATED STOREFRONT DOORS
KAWNEER 350 MEDIUM STILE STOREFRONT DOORS
ALL FINISHES TO BE: 2 COAT 70% FRENCH VANILLA

DOOR INFORMATION	
DOOR:	NOTES:
	HARDWARE PACKAGE:
TYPE: D	
D101C - SINGLE	#44
D107A - SINGLE	#44
D107B - SINGLE	#44
D108C - SINGLE	#44
D121 - SINGLE	#44
TYPE: E	
101A - PAIR	#53
101B - PAIR	#52
D101A - PAIR	#49
D101B - PAIR	#54

TABLE OF CONTENTS	
100 COVER SHEET	400 DETAILS
200 LOWER LEVEL FLOOR PLAN - NORTH	401 DETAILS
201 LOWER LEVEL FLOOR PLAN - SOUTH	402 DETAILS
202 MIDDLE LEVEL BLANCHARD FLOOR PLAN	403 DETAILS
203 OVERALL EXTERIOR ELEVATIONS	404 DETAILS
204 OVERALL EXTERIOR ELEVATIONS	405 DETAILS
205 OVERALL EXTERIOR ELEVATIONS	406 DETAILS
206 FRAME ELEVATIONS	407 DETAILS
207 FRAME ELEVATIONS	408 DETAILS
208 FRAME ELEVATIONS	409 DETAILS
209 FRAME ELEVATIONS	410 DETAILS
210 FRAME ELEVATIONS	
211 FRAME ELEVATIONS	
212 FRAME ELEVATIONS	
213 FRAME ELEVATIONS	
214 FRAME ELEVATIONS	
215 FRAME ELEVATIONS	
216 FRAME ELEVATIONS	

DRAFTSMAN:

KS DRAFTING & DESIGN, LLC.
KYLE SCHNECK
HARRISBURG, PA 17110
KYLE@KSDRAFTINGDESIGNLLC.COM
717-228-7114
KSDRAFTINGDESIGNLLC.COM

ARCHITECT:

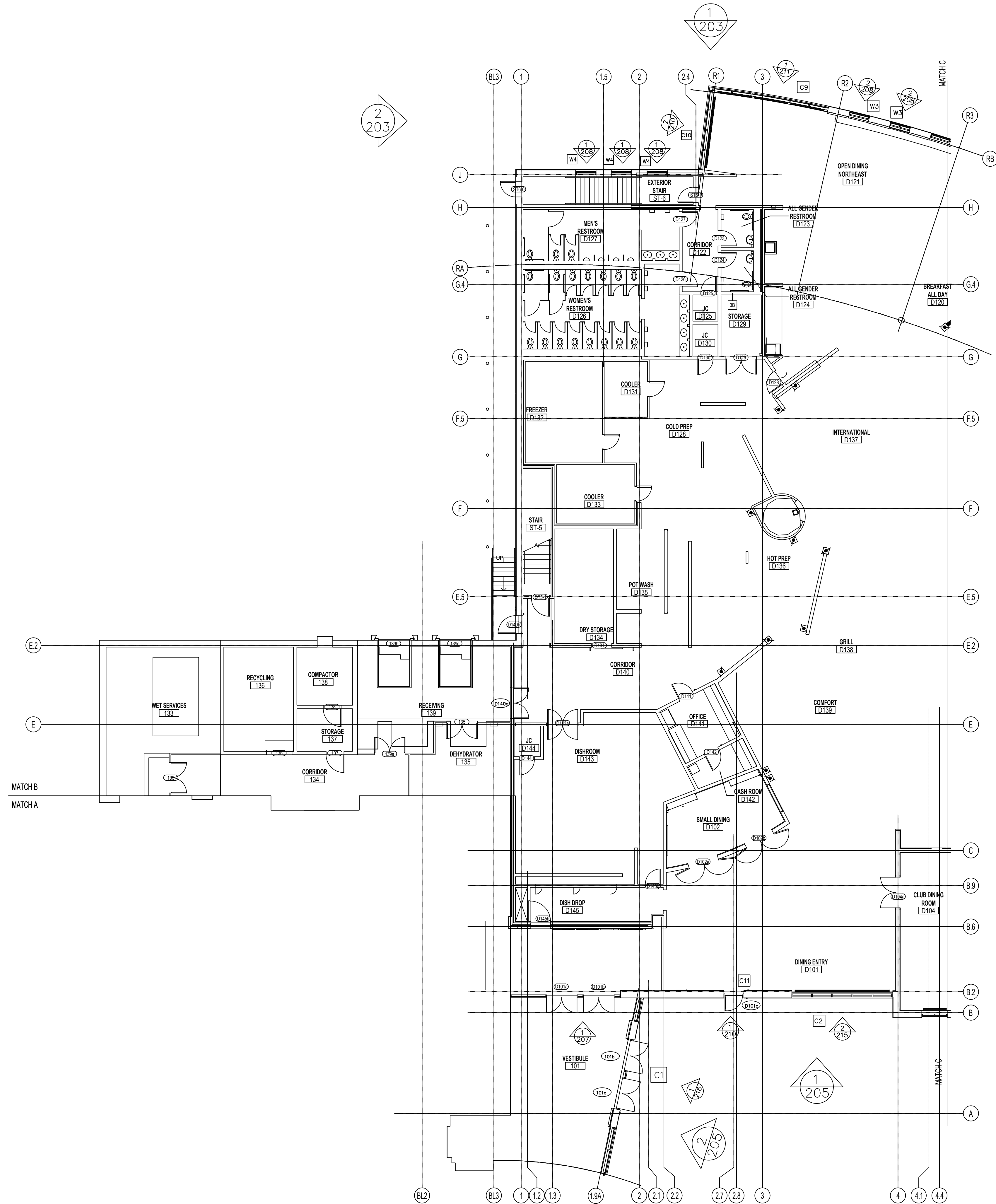
BERGMEYER

DRAWN BY: KYLE SCHNECK

CHECKED BY: KYLE SCHNECK

DATE: 01/25/2017

SHEET: 100



NO.	REVISION/ISSUED	DATE
1	1ST SUBMITTAL	01/25/2017

PROJECT NAME & LOCATION:
MOUNT HOLYOKE COLLEGE
50 COLLEGE STREET
SOUTH HADLEY, MA 01075

SHEET TITLE:
FLOOR PLAN

DRAFTSMAN:

KS DRAFTING & DESIGN, LLC.
 KYLE SCHNECK
 HARRISBURG, PA 17110
 KYLE@KSDRAFTINGDESIGNLLC.COM
 717-228-7114
 KSDRAFTINGDESIGNLLC.COM

ARCHITECT:

BERGMEYER

DRAWN BY: KYLE SCHNECK

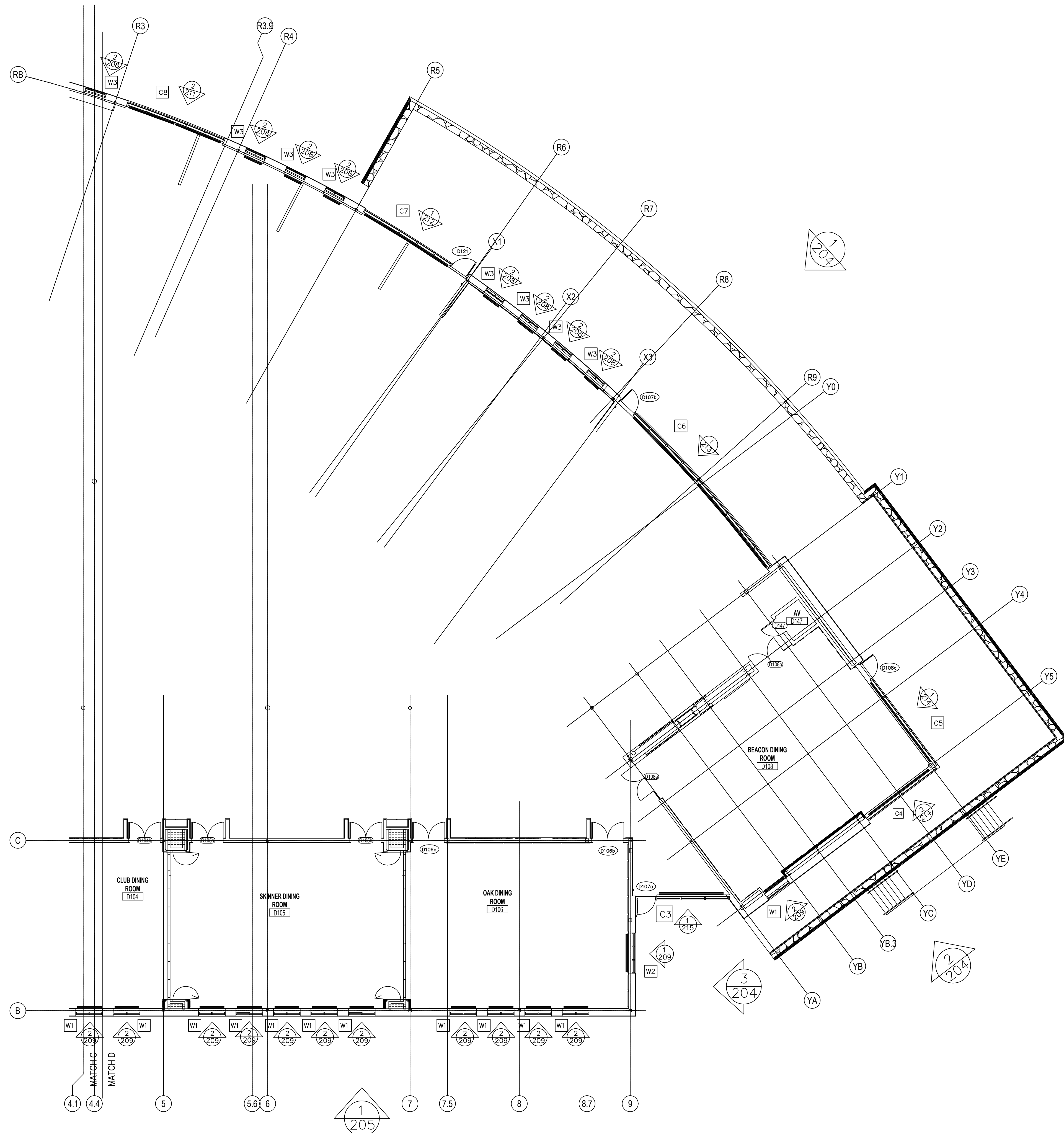
CHECKED BY: KYLE SCHNECK

DATE: 01/25/2017

SHEET:

200

1 LOWER LEVEL PLAN NORTH
 ARCH. REF.: 1/A101.2



1 LOWER LEVEL PLAN SOUTH
 ARCH. REF.: 1/A101.3

NO.	REVISION/ISSUED	DATE
1	1ST SUBMITTAL	01/25/2017

PROJECT NAME & LOCATION:
 MOUNT HOLYOKE COLLEGE
 50 COLLEGE STREET
 SOUTH HADLEY, MA 01075

SHEET TITLE:
 FLOOR PLAN

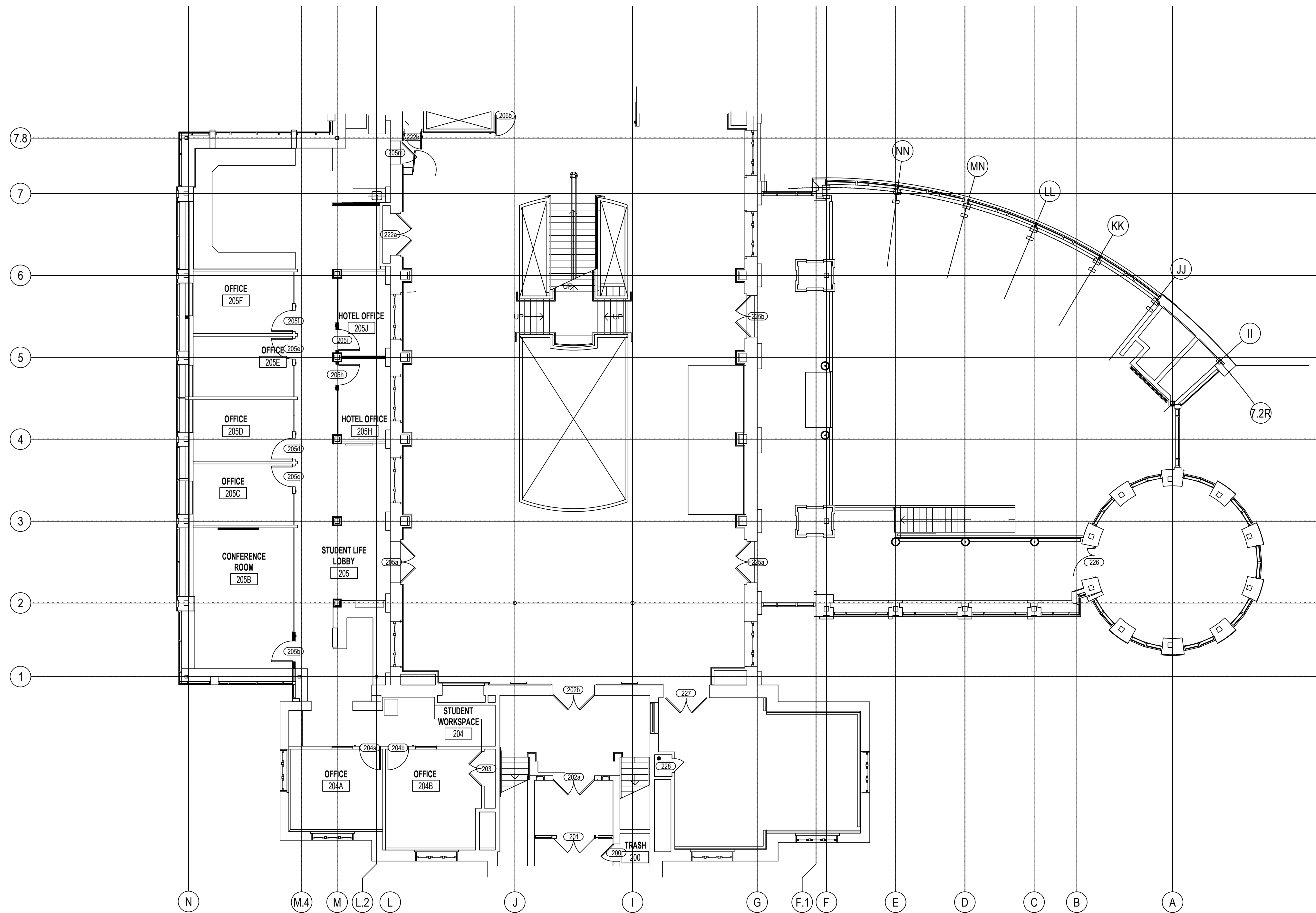
DRAFTSMAN:
 KS DRAFTING & DESIGN, LLC.
 KYLE SCHNECK
 HARRISBURG, PA 17110
 KYLE@KSDRAFTINGDESIGNLLC.COM
 717-228-7114
 KSDRAFTINGDESIGNLLC.COM

ARCHITECT:
 BERGMEYER

DRAWN BY: KYLE SCHNECK
 CHECKED BY: KYLE SCHNECK

DATE: 01/25/2017

SHEET: 201



1 MIDDLE LEVEL BLANCHARD CONSTRUCTION PLAN
 ARCH. REF.: 1/A102.1

NO.	REVISION/ISSUED	DATE
1	1ST SUBMITTAL	01/25/2017

PROJECT NAME & LOCATION:
 MOUNT HOLYOKE COLLEGE
 50 COLLEGE STREET
 SOUTH HADLEY, MA 01075

SHEET TITLE:
 FLOOR PLAN

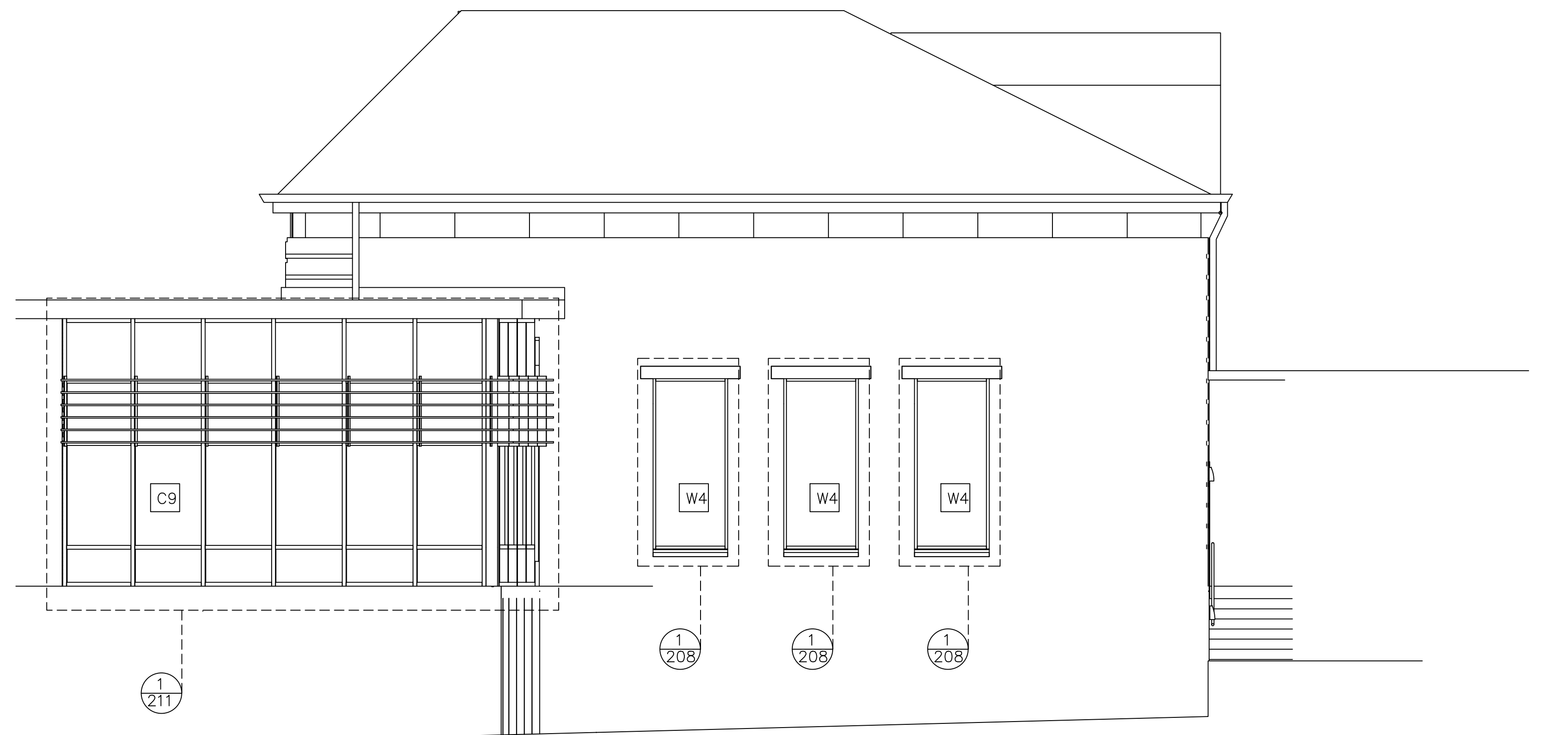
DRAFTSMAN:
 KS DRAFTING & DESIGN, LLC.
 KYLE SCHNECK
 HARRISBURG, PA 17110
 KYLE@KSDRAFTINGDESIGNLLC.COM
 717-228-7114
 KSDRAFTINGDESIGNLLC.COM

ARCHITECT:
 BERGMEYER

DRAWN BY: KYLE SCHNECK
 CHECKED BY: KYLE SCHNECK

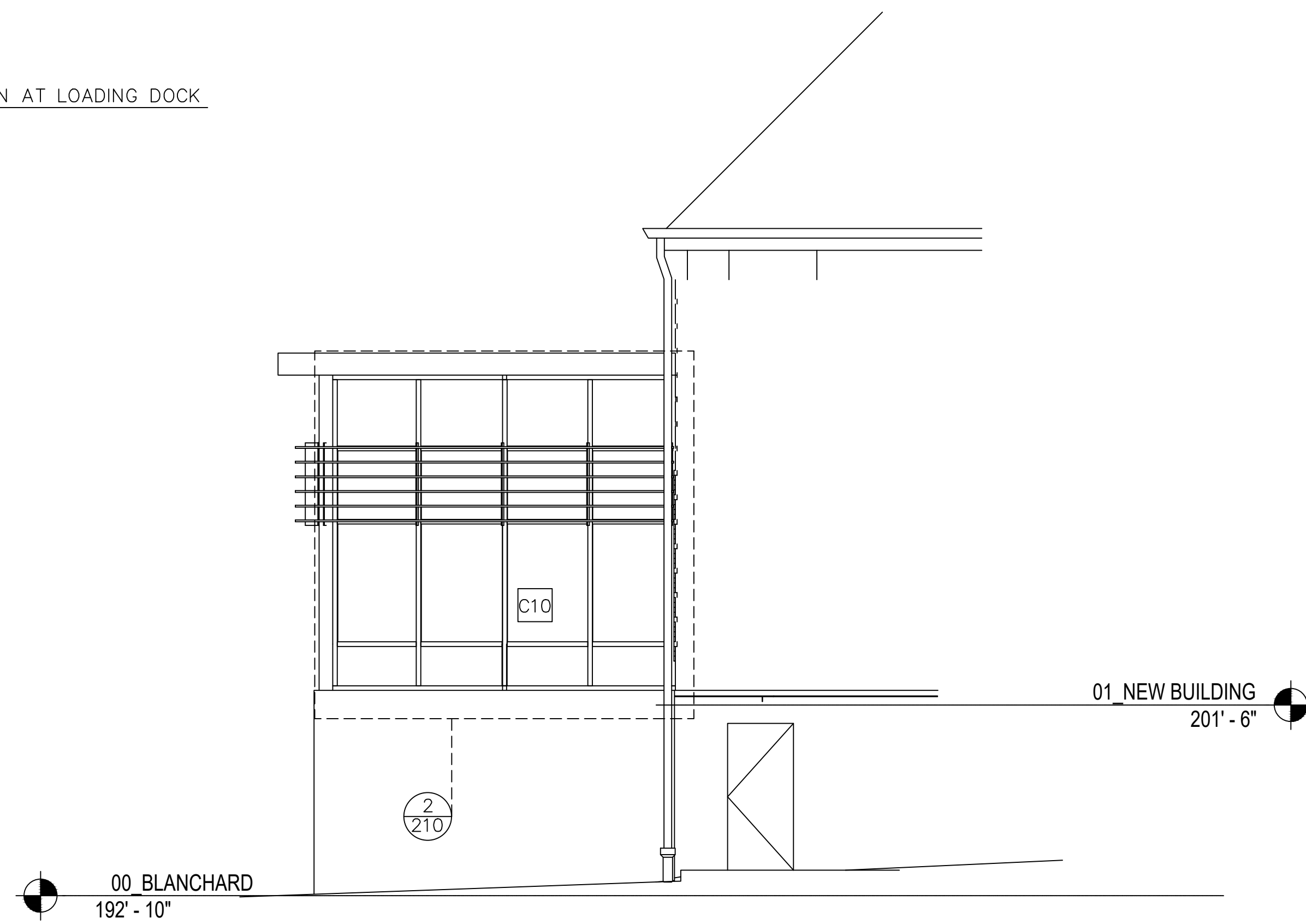
DATE: 01/25/2017
 SHEET: 202

NO.	REVISION/ISSUED	DATE
1	1ST SUBMITTAL	01/25/2017



00 BLANCHARD
192' - 10"

1 EXTERIOR ELEVATION AT LOADING DOCK
ARCH. REF.: 1/A202



00 BLANCHARD
192' - 10"

01 NEW BUILDING
201' - 6"

2 EXTERIOR ELEVATION AT LOADING DOCK SIDE
ARCH. REF.: 3/A202

PROJECT NAME & LOCATION:
MOUNT HOLYOKE COLLEGE
50 COLLEGE STREET
SOUTH HADLEY, MA 01075

SHEET TITLE:
ELEVATIONS

DRAFTSMAN:
KS DRAFTING & DESIGN, LLC.
KYLE SCHNECK
HARRISBURG, PA 17110
KYLE@KSDRAFTINGDESIGNLLC.COM
717-228-7114
KSDRAFTINGDESIGNLLC.COM

ARCHITECT:
BERGMEYER

DRAWN BY: KYLE SCHNECK
CHECKED BY: KYLE SCHNECK

DATE: 01/25/2017
SHEET: 203

NO.	REVISION/ISSUED	DATE
1	1ST SUBMITTAL	01/25/2017

PROJECT NAME & LOCATION:
MOUNT HOLYOKE COLLEGE
50 COLLEGE STREET
SOUTH HADLEY, MA 01075

SHEET TITLE:
ELEVATIONS

DRAFTSMAN:
 KS DRAFTING & DESIGN, LLC.
 KYLE SCHNECK
 HARRISBURG, PA 17110
 KYLE@KSDRAFTINGDESIGNLLC.COM
 717-228-7114
 KSDRAFTINGDESIGNLLC.COM

ARCHITECT:
 BERGMAYER

DRAWN BY: KYLE SCHNECK
 CHECKED BY: KYLE SCHNECK

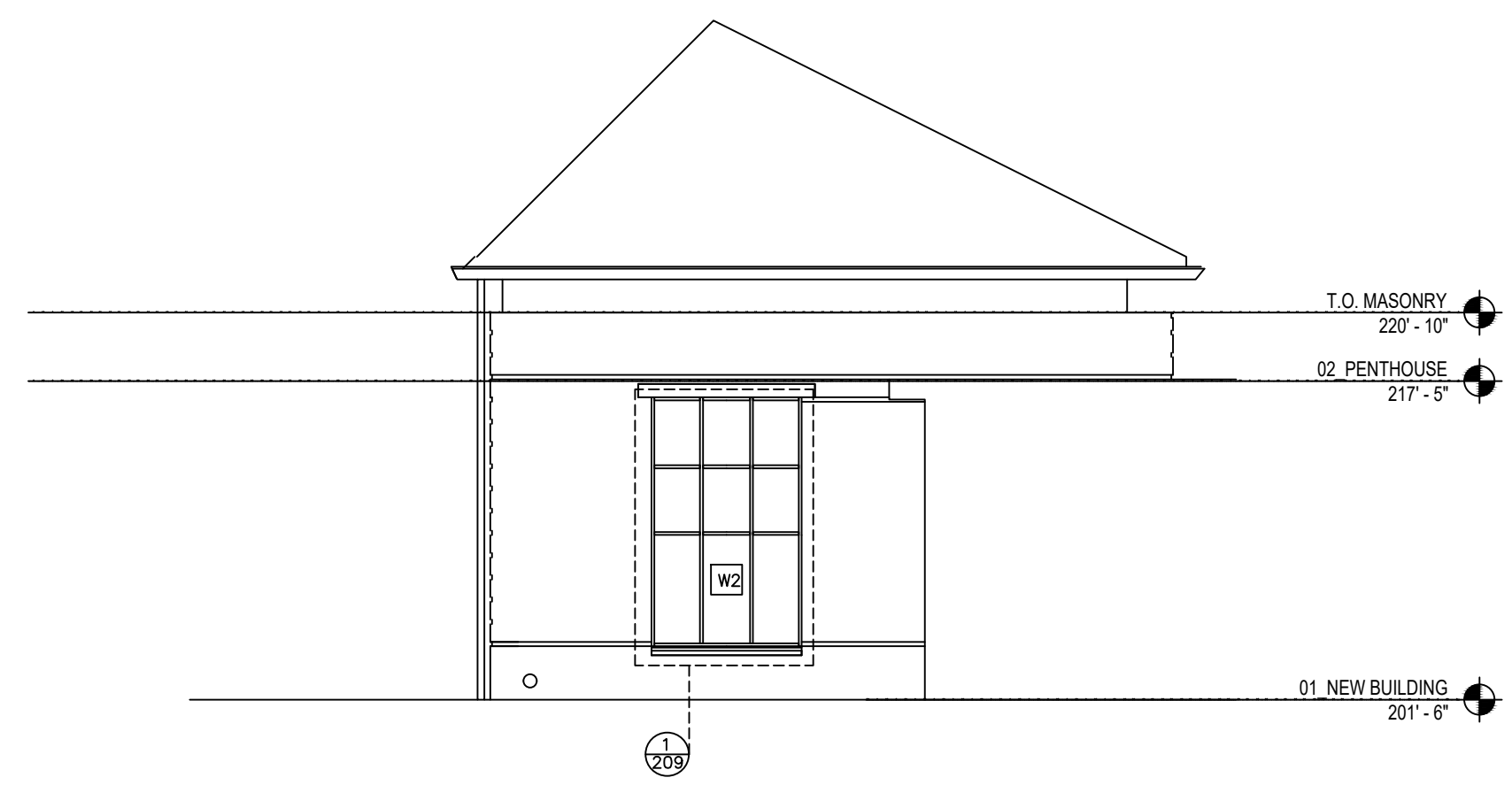
DATE: 01/25/2017
 SHEET: 204



1 EXTERIOR ELEVATION AT LAKE
 ARCH. REF.: 5/A202



2 EXTERIOR ELEVATION AT BEACON ROOM
 ARCH. REF.: 1/A203



3 EXTERIOR ELEVATION AT PDR SIDE 1
 ARCH. REF.: 2/A203

NO.	REVISION/ISSUED	DATE
1	1ST SUBMITTAL	01/25/2017

PROJECT NAME & LOCATION:
MOUNT HOLYOKE COLLEGE
50 COLLEGE STREET
SOUTH HADLEY, MA 01075

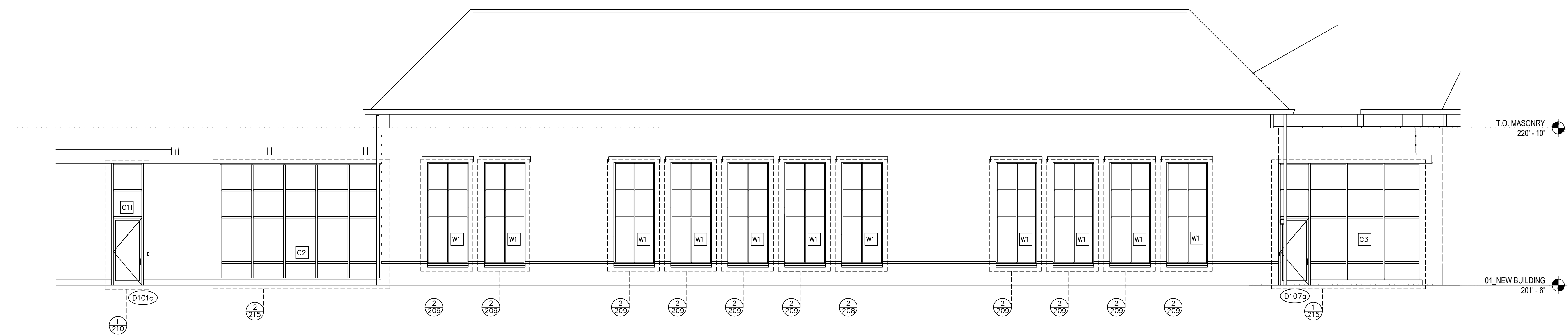
SHEET TITLE:
ELEVATIONS

DRAFTSMAN:
 KS DRAFTING & DESIGN, LLC.
 KYLE SCHNECK
 HARRISBURG, PA 17110
 KYLE@KSDRAFTINGDESIGNLLC.COM
 717-228-7114
 KSDRAFTINGDESIGNLLC.COM

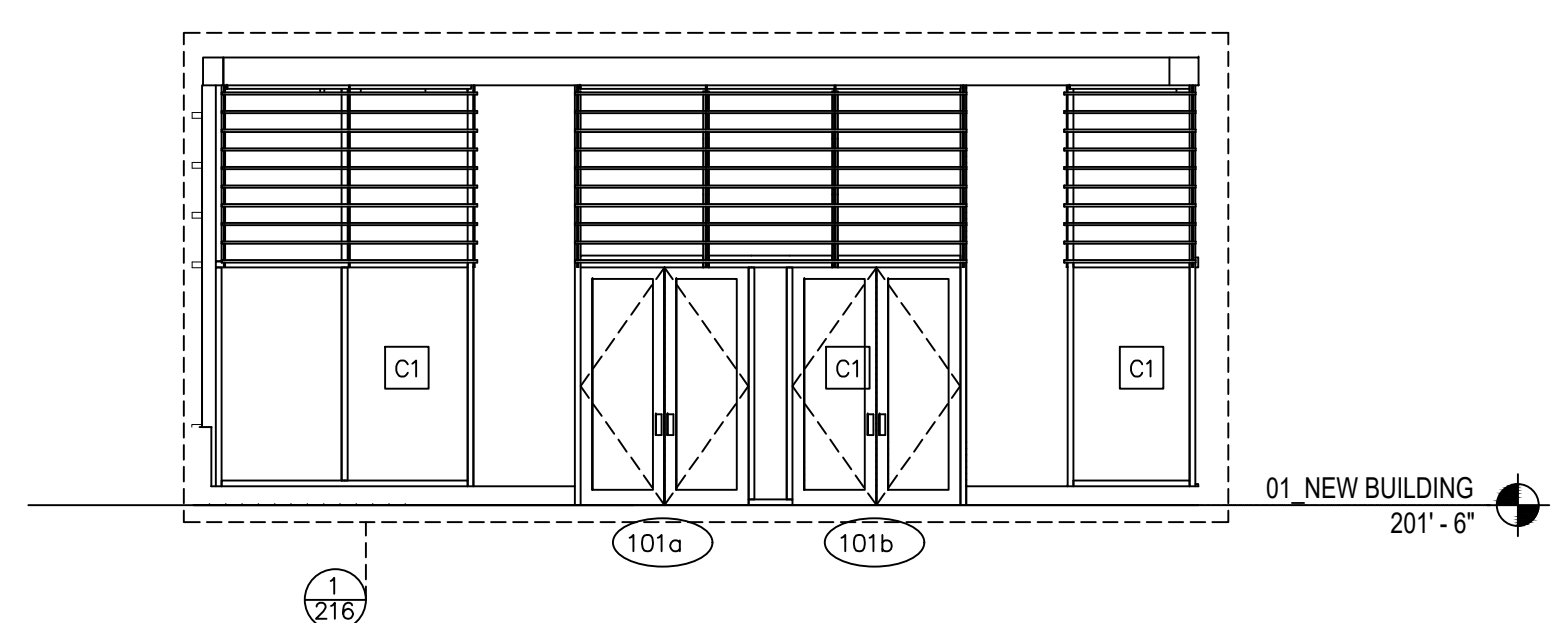
ARCHITECT:
 BERGMEYER

DRAWN BY: KYLE SCHNECK
 CHECKED BY: KYLE SCHNECK

DATE: 01/25/2017
 SHEET: **205**



1 EXTERIOR ELEVATION AT BLANCHARD
 ARCH. REF.: 4/A203



2 EXTERIOR ELEVATION AT ENTRY
 ARCH. REF.: 5/A203

NO.	REVISION/ISSUED	DATE
1	1ST SUBMITTAL	01/25/2017

PROJECT NAME & LOCATION:
MOUNT HOLYOKE COLLEGE
50 COLLEGE STREET
SOUTH HADLEY, MA 01075

SHEET TITLE:
ELEVATIONS

DRAFTSMAN:

KS DRAFTING & DESIGN, LLC.
KYLE SCHNECK
HARRISBURG, PA 17110
KYLE@KSDRAFTINGDESIGNLLC.COM
717-228-7114
KSDRAFTINGDESIGNLLC.COM

ARCHITECT:

BERGMEYER

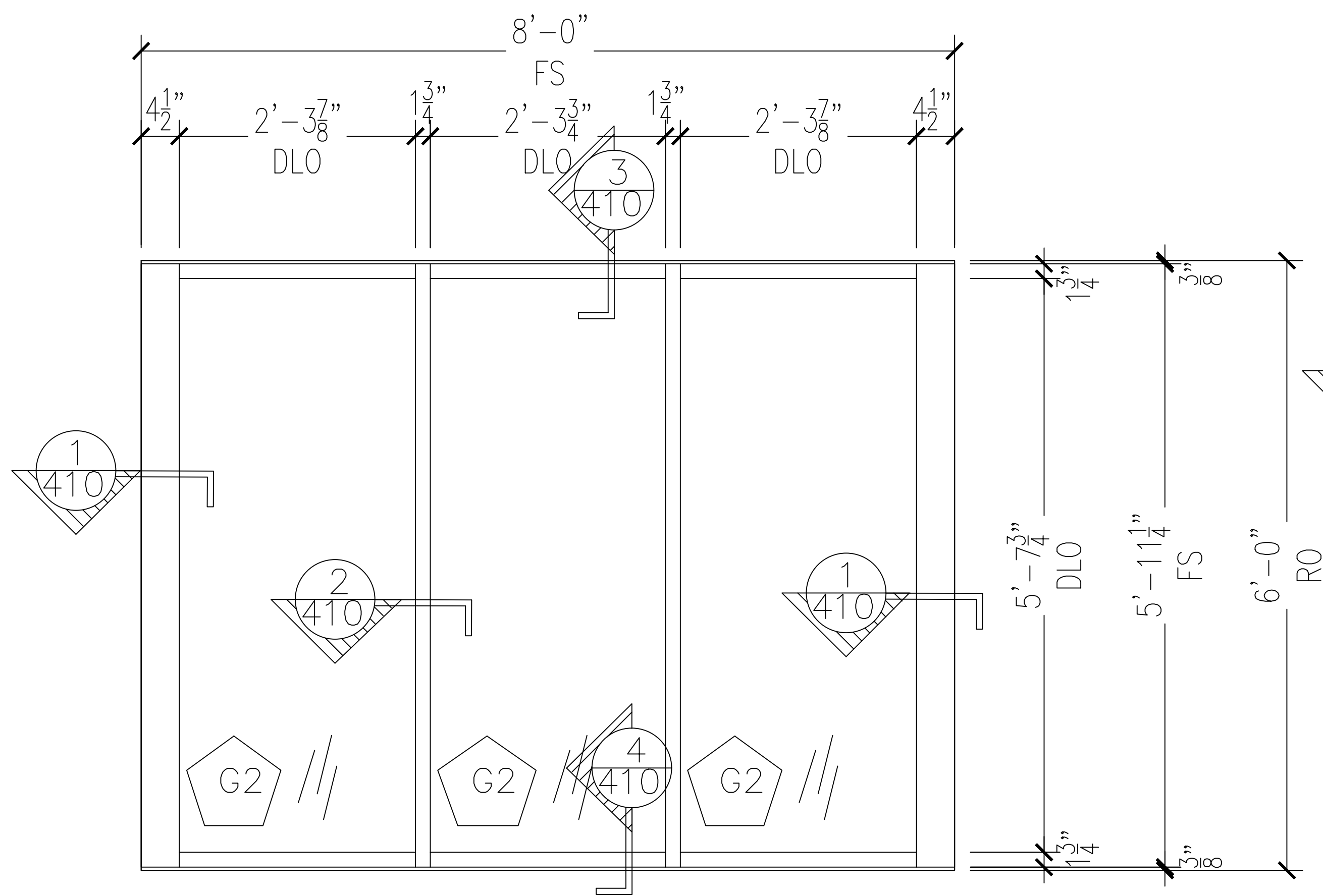
DRAWN BY: KYLE SCHNECK

CHECKED BY: KYLE SCHNECK

DATE: 01/25/2017

SHEET:

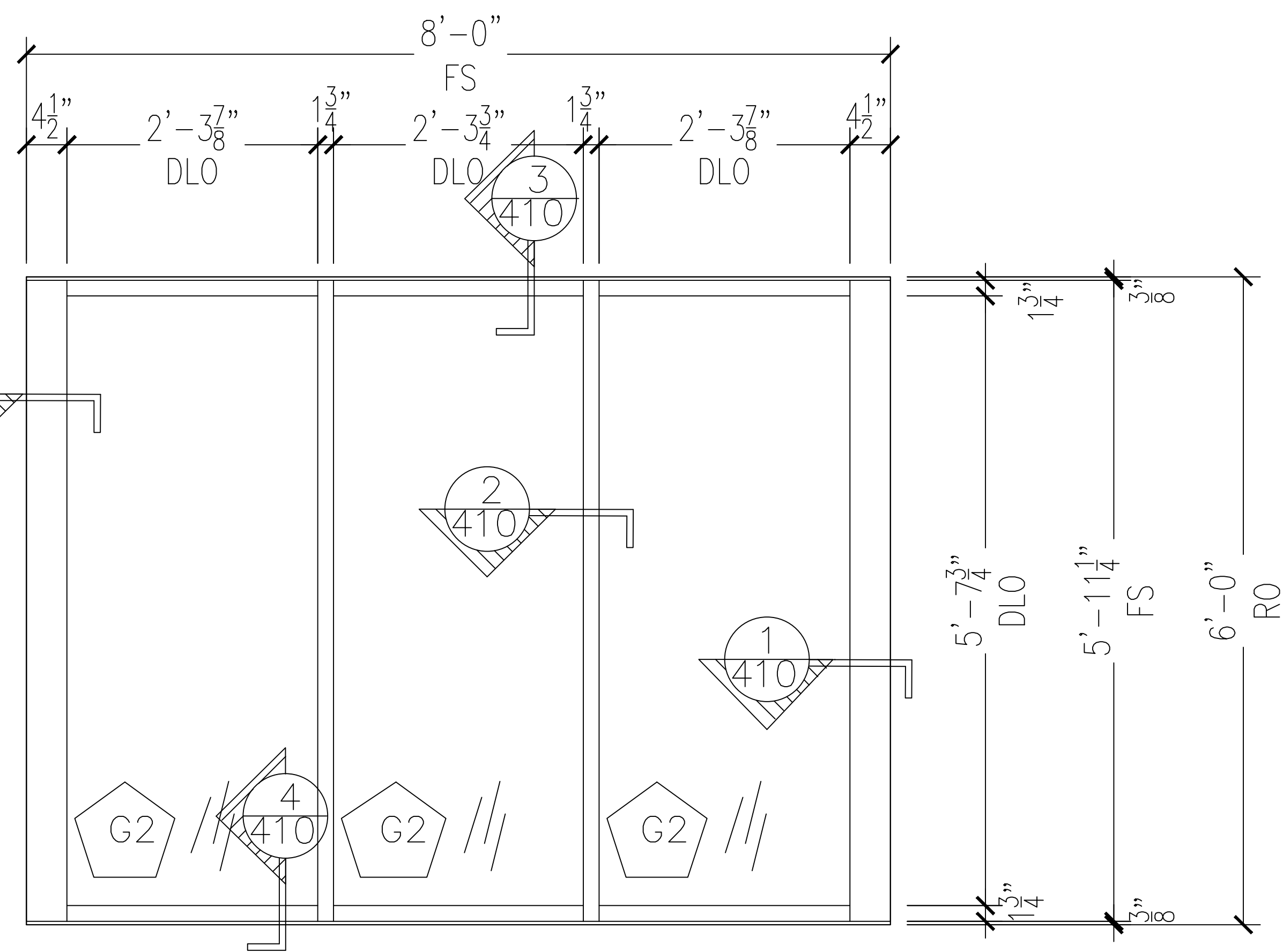
206



KAWNEER ENCORE EXTERIOR
STOREFRONT 1 3/4" X 4 1/2" SYSTEM

QTY: 2

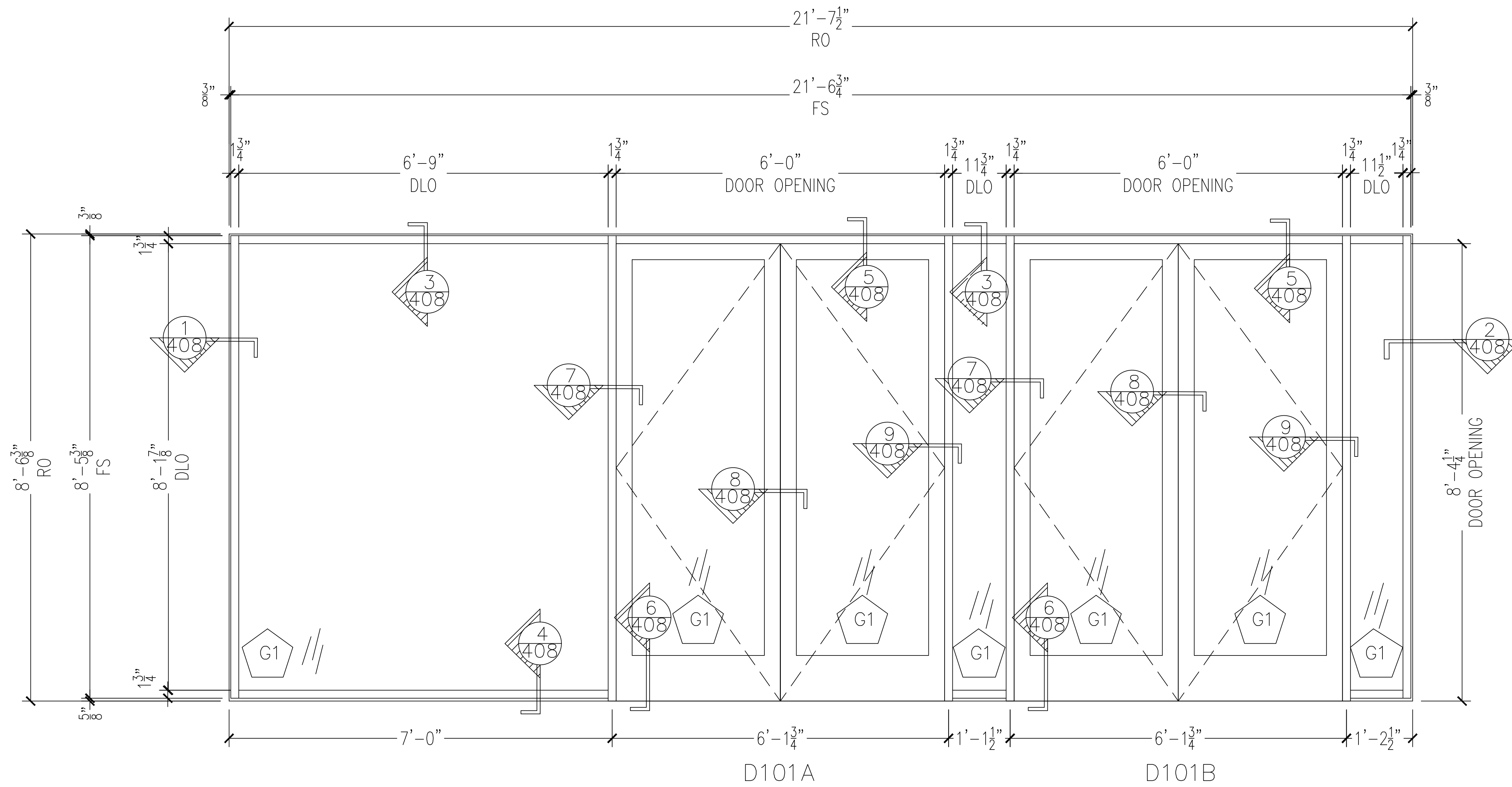
1 ELEVATION AT ROOF MONITOR



KAWNEER ENCORE EXTERIOR
STOREFRONT 1 3/4" X 4 1/2" SYSTEM

QTY: 2

2 ELEVATION AT ROOF MONITOR



KAWNEER ENCORE EXTERIOR
 STOREFRONT 1 3/4" X 6" SYSTEM
 KAWNEER 350 MEDIUM STILE DOORS

QTY: 1

1 ELEVATION - SF @ VESTIBULE
 ARCH. REF: S1/A606

NO.	REVISION/ISSUED	DATE
1	1ST SUBMITTAL	01/25/2017

PROJECT NAME & LOCATION:
 MOUNT HOLYOKE COLLEGE
 50 COLLEGE STREET
 SOUTH HADLEY, MA 01075

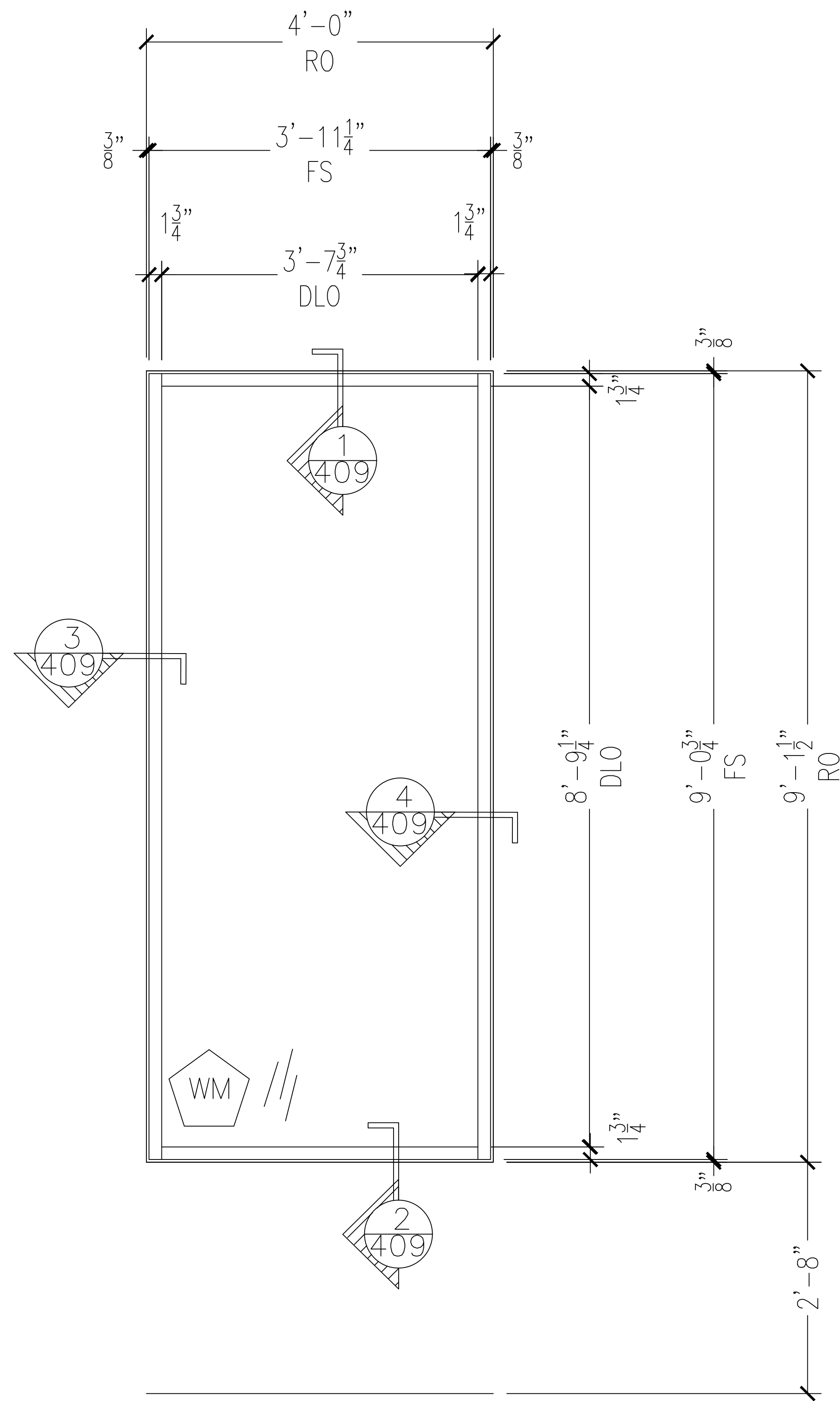
SHEET TITLE:
 ELEVATIONS

DRAFTSMAN:
 KS DRAFTING & DESIGN, LLC.
 KYLE SCHNECK
 HARRISBURG, PA 17110
 KYLE@KSDRAFTINGDESIGNLLC.COM
 717-228-7114
 KSDRAFTINGDESIGNLLC.COM

ARCHITECT:
 BERGMEYER

DRAWN BY: KYLE SCHNECK
 CHECKED BY: KYLE SCHNECK

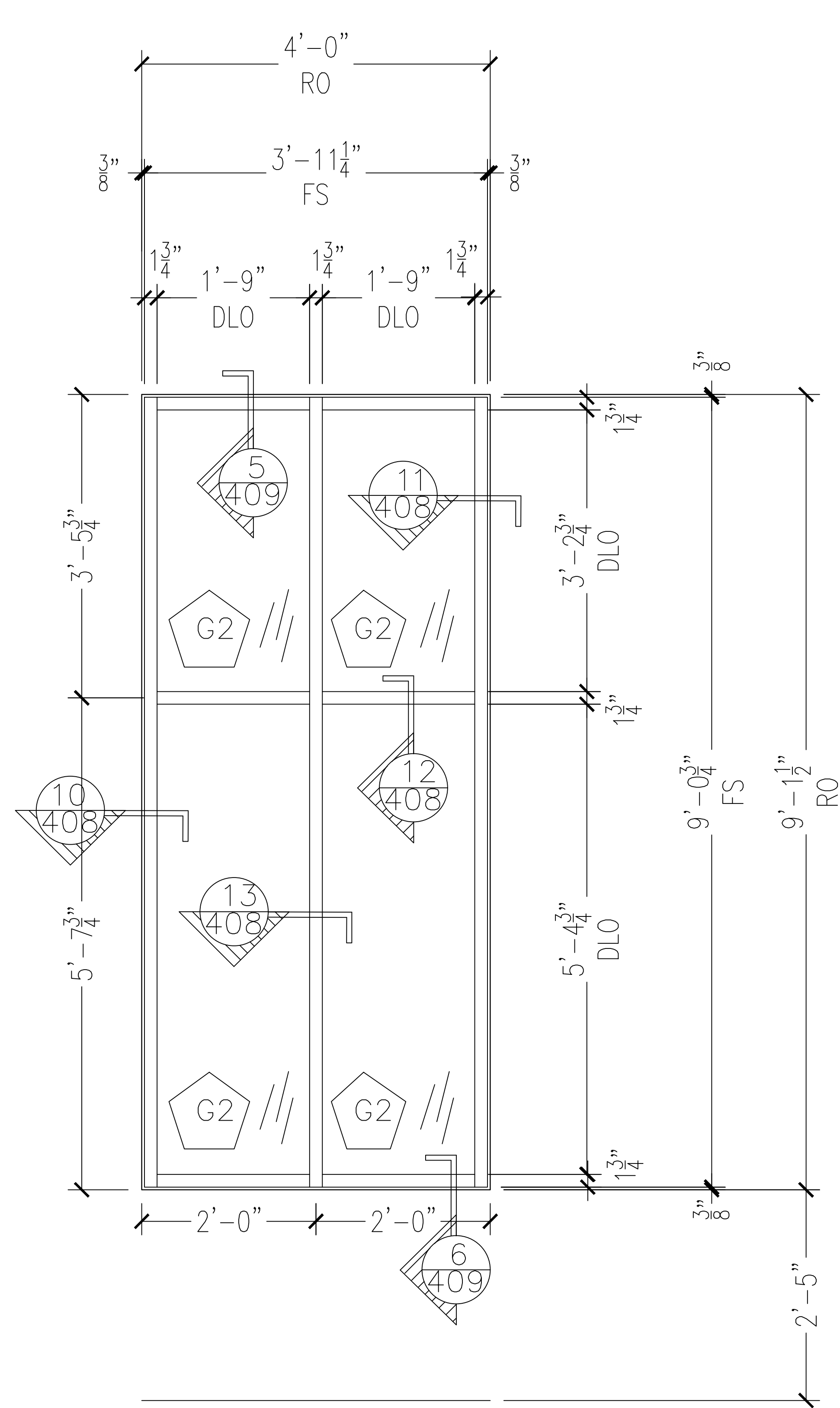
DATE: 01/25/2017
 SHEET: 207



KAWNEER ENCORE EXTERIOR
STOREFRONT 1 3/4" X 6" SYSTEM

QTY: 3

1 WINDOW 04
ARCH. REF: W4/A606



KAWNEER ENCORE EXTERIOR
STOREFRONT 1 3/4" X 6" SYSTEM

QTY: 10

2 WINDOW 03
ARCH. REF: W3/A606

NO.	REVISION/ISSUED	DATE
1	1ST SUBMITTAL	01/25/2017

PROJECT NAME & LOCATION:
MOUNT HOLYOKE COLLEGE
50 COLLEGE STREET
SOUTH HADLEY, MA 01075

SHEET TITLE:
ELEVATIONS

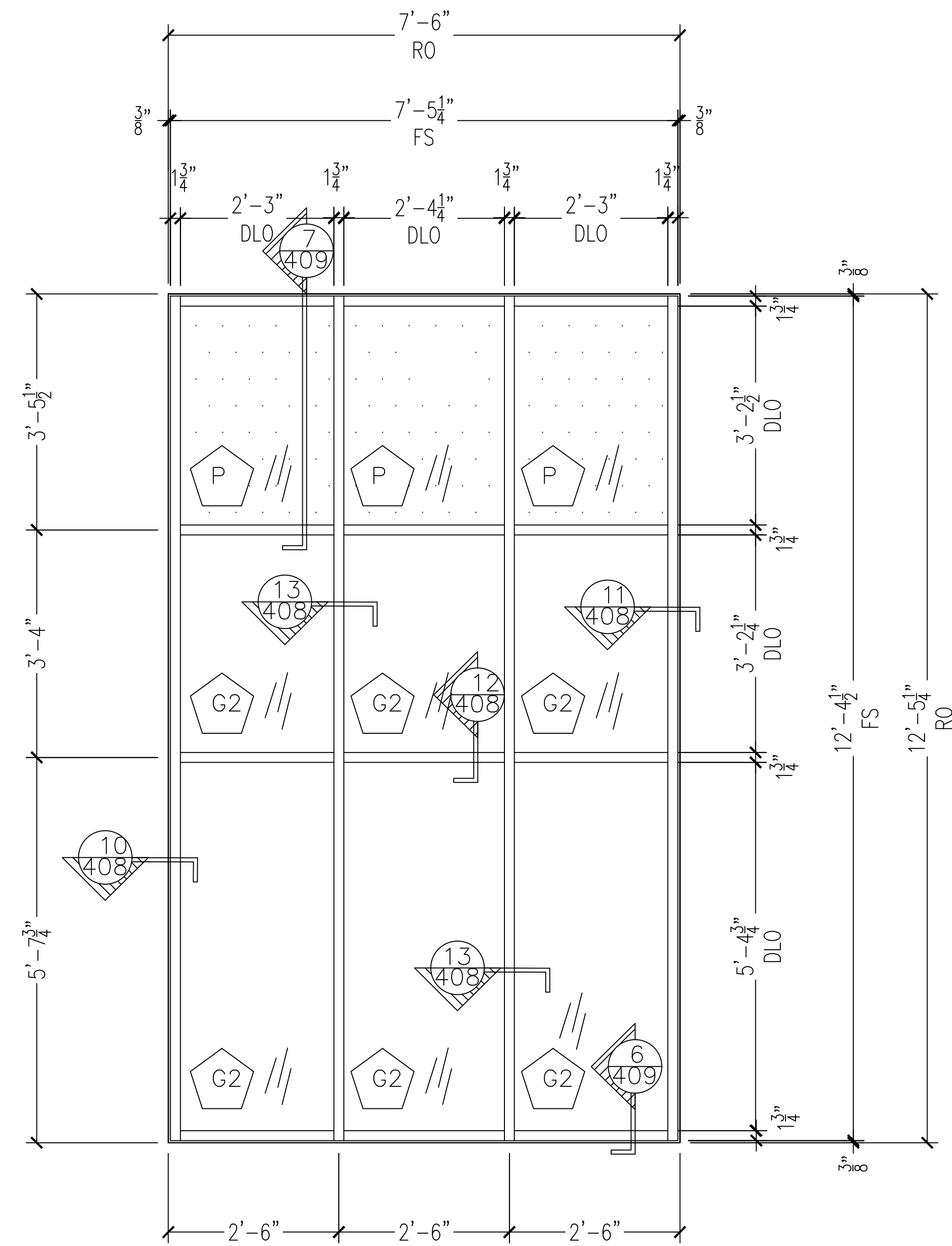
DRAFTSMAN:
KS DRAFTING & DESIGN, LLC.
KYLE SCHNECK
HARRISBURG, PA 17110
KYLE@KSDRAFTINGDESIGNLLC.COM
717-228-7114
KSDRAFTINGDESIGNLLC.COM

ARCHITECT:
BERGMEYER

DRAWN BY: KYLE SCHNECK
CHECKED BY: KYLE SCHNECK

DATE: 01/25/2017
SHEET: 208

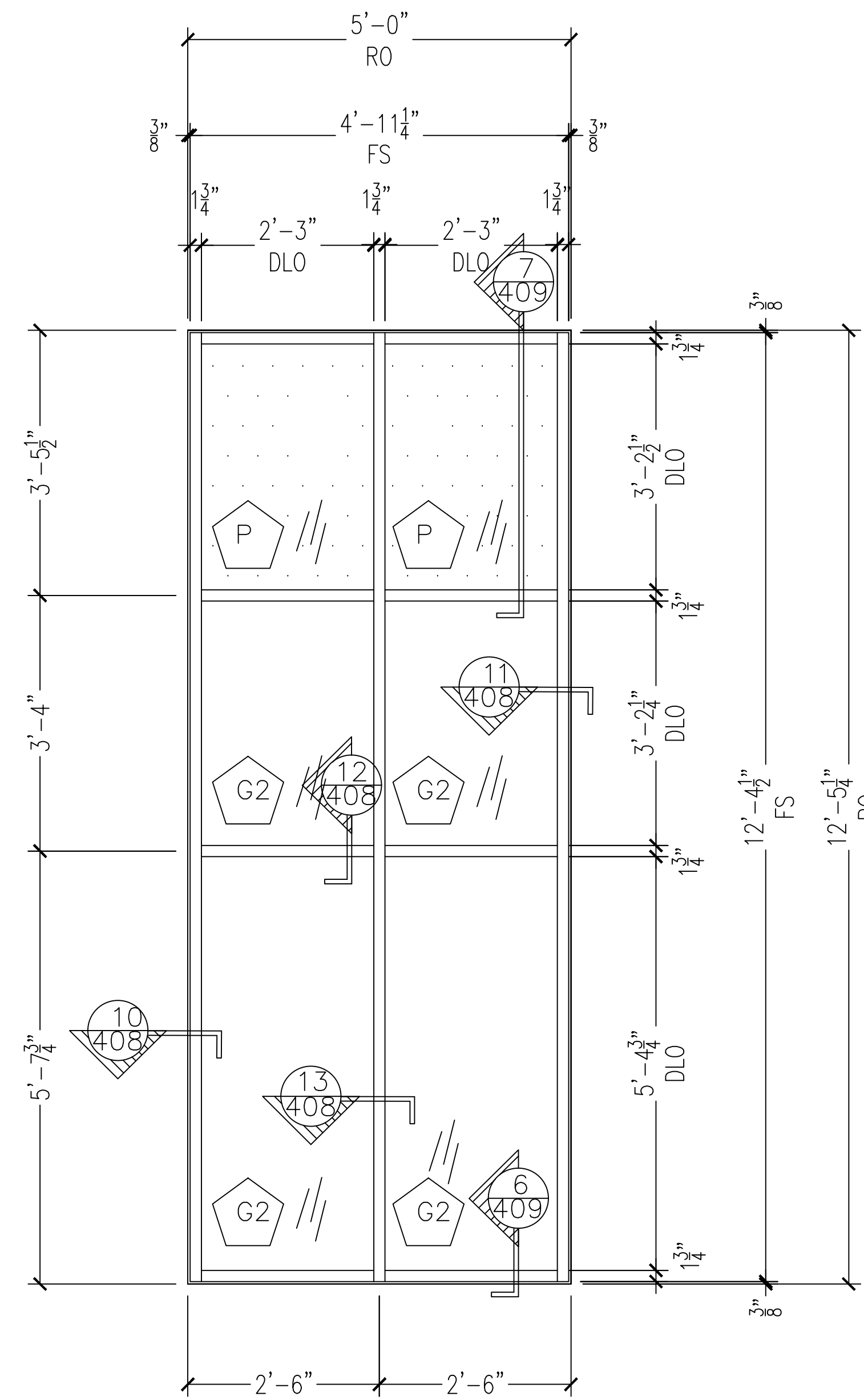
NO.	REVISION/ISSUED	DATE
1	1ST SUBMITTAL	01/25/2017



KAWNEER ENCORE EXTERIOR
STOREFRONT 1 3/4" X 6" SYSTEM

QTY: 1

1 WINDOW 02
ARCH. REF: W2/A606



KAWNEER ENCORE EXTERIOR
STOREFRONT 1 3/4" X 6" SYSTEM

QTY: 12

2 WINDOW 01
ARCH. REF: W1/A606

PROJECT NAME & LOCATION:
MOUNT HOLYOKE COLLEGE
50 COLLEGE STREET
SOUTH HADLEY, MA 01075

SHEET TITLE:
ELEVATIONS

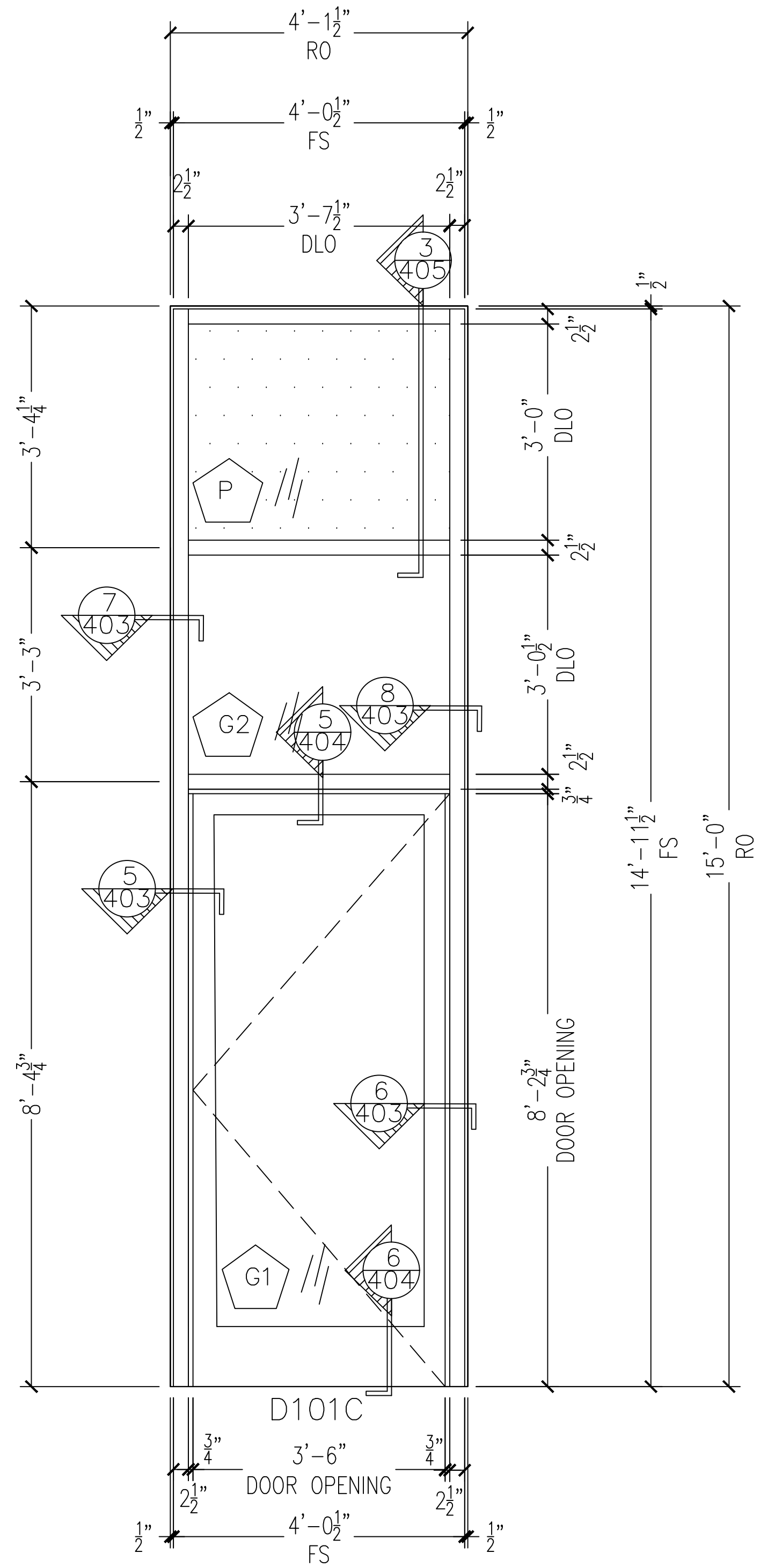
DRAFTSMAN:
KS DRAFTING & DESIGN, LLC.
KYLE SCHNECK
HARRISBURG, PA 17110
KYLE@KSDRAFTINGDESIGNLLC.COM
717-228-7114
KSDRAFTINGDESIGNLLC.COM

ARCHITECT:
BERGMEYER

DRAWN BY: KYLE SCHNECK
CHECKED BY: KYLE SCHNECK

DATE: 01/25/2017
SHEET: 209

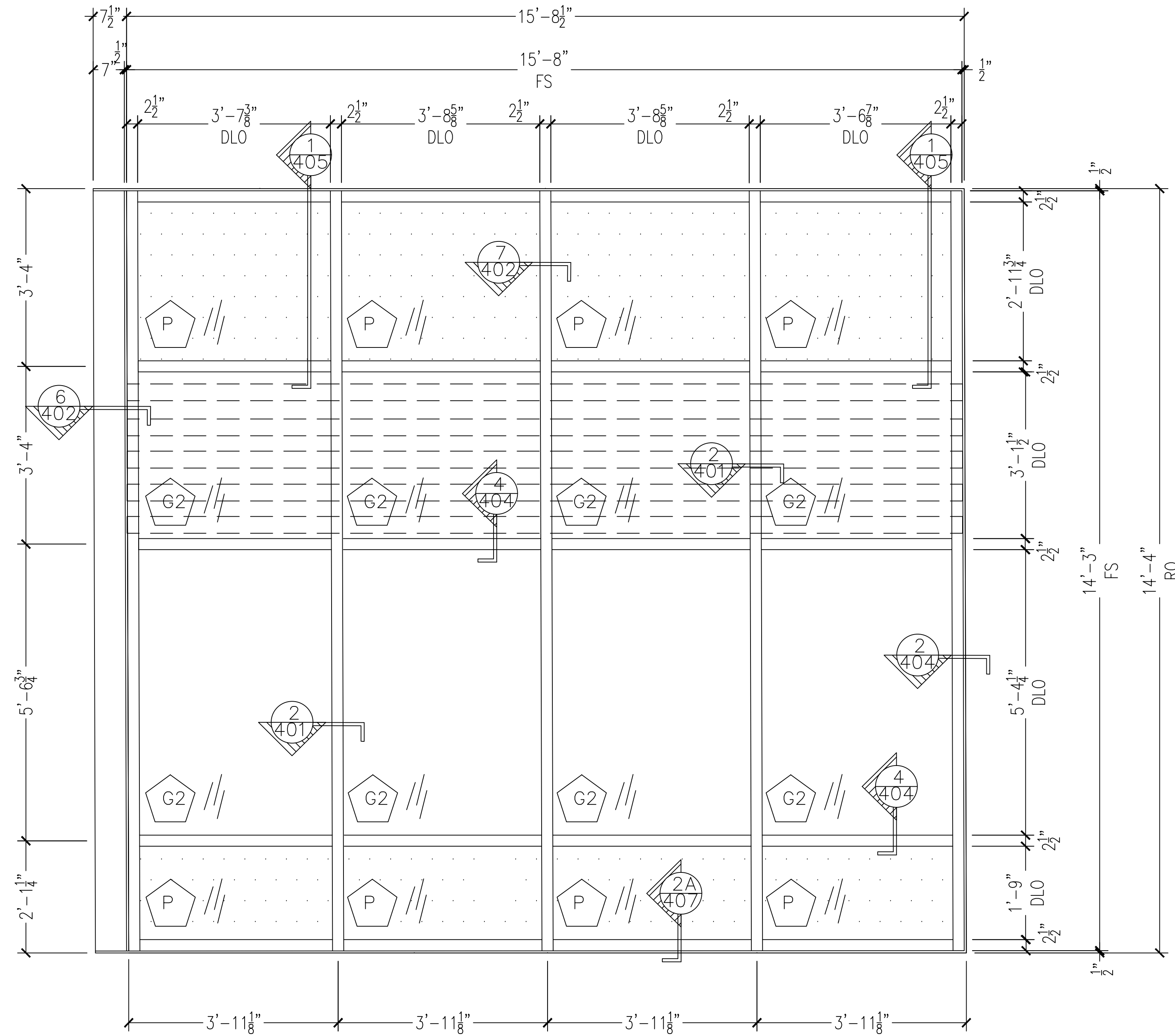
ARCHITECT NOTE:
PLEASE VERIFY R.O. OF FRAME
OR STOREFRONT DOOR WIDTH
FROM DOOR SCHEDULE. CURRENT
R.O. AND DOOR WIDTH CONFLICT.



KAWNEER 1600 CURTAINWALL FRAMING
KAWNEER AA425 STOREFRONT DOORS

QTY: 1

1 CURTAINWALL 11
ARCH. REF: C11/A606



SUNSHADES SHOWN DASHED

KAWNEER 1600 CURTAINWALL FRAMING

QTY: 1

2 CURTAINWALL 10
ARCH. REF: C10/A606

NO.	REVISION/ISSUED	DATE
1	1ST SUBMITTAL	01/25/2017

PROJECT NAME & LOCATION:
MOUNT HOLYOKE COLLEGE
50 COLLEGE STREET
SOUTH HADLEY, MA 01075

SHEET TITLE:
ELEVATIONS

DRAFTSMAN:
KS DRAFTING & DESIGN, LLC.
KYLE SCHNECK
HARRISBURG, PA 17110
KYLE@KSDRAFTINGDESIGNLLC.COM
717-228-7114
KSDRAFTINGDESIGNLLC.COM

ARCHITECT:
BERGMEYER

DRAWN BY: KYLE SCHNECK
CHECKED BY: KYLE SCHNECK

DATE: 01/25/2017
SHEET: 210

NO.	REVISION/ISSUED	DATE
1	1ST SUBMITTAL	01/25/2017

PROJECT NAME & LOCATION:
MOUNT HOLYOKE COLLEGE
50 COLLEGE STREET
SOUTH HADLEY, MA 01075

SHEET TITLE:
ELEVATIONS

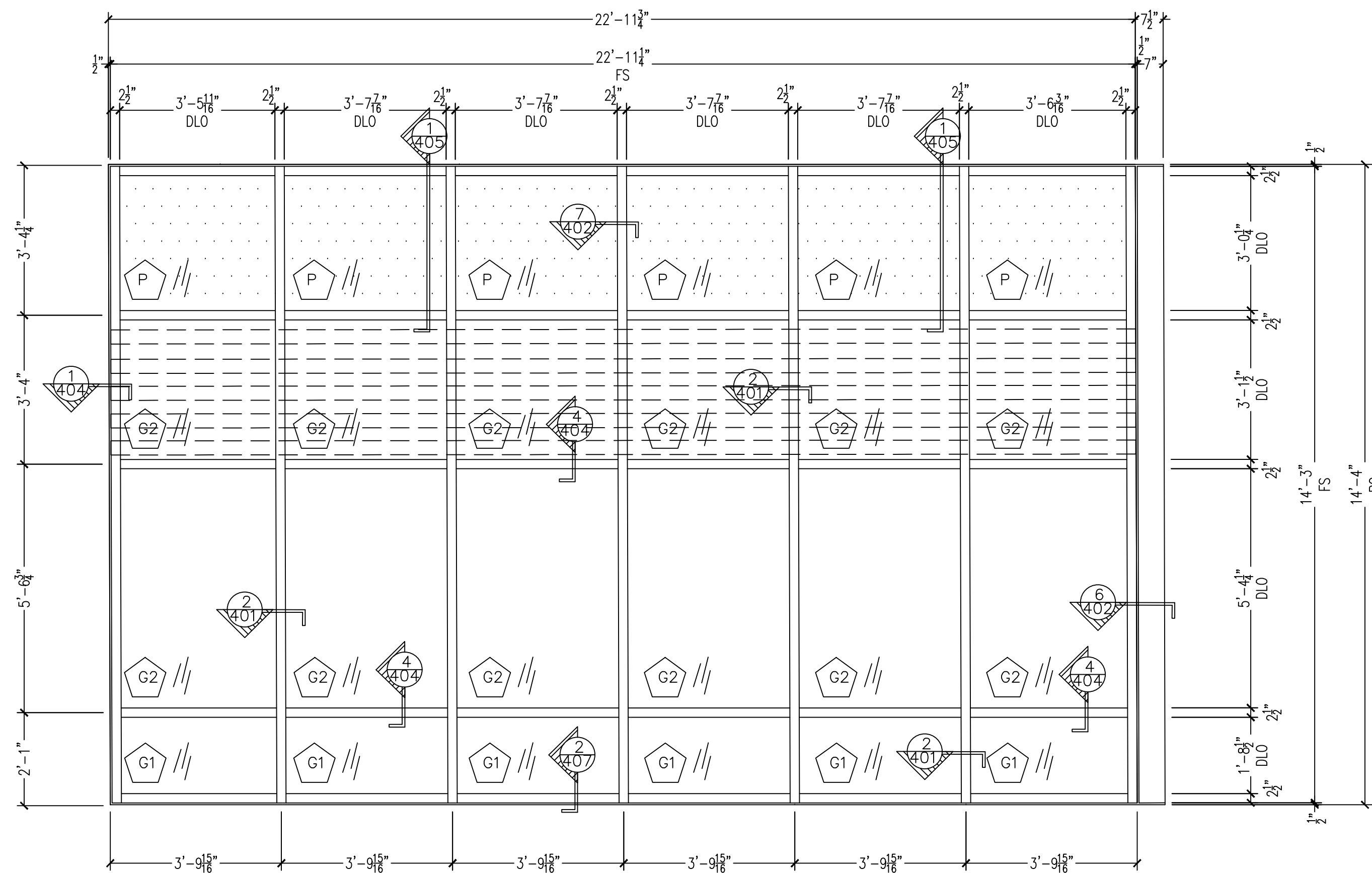
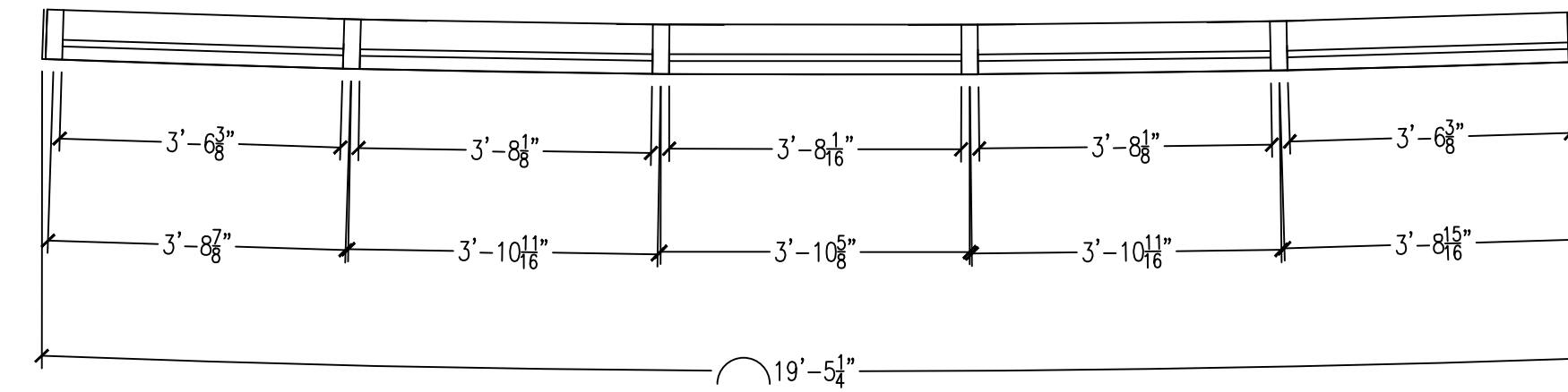
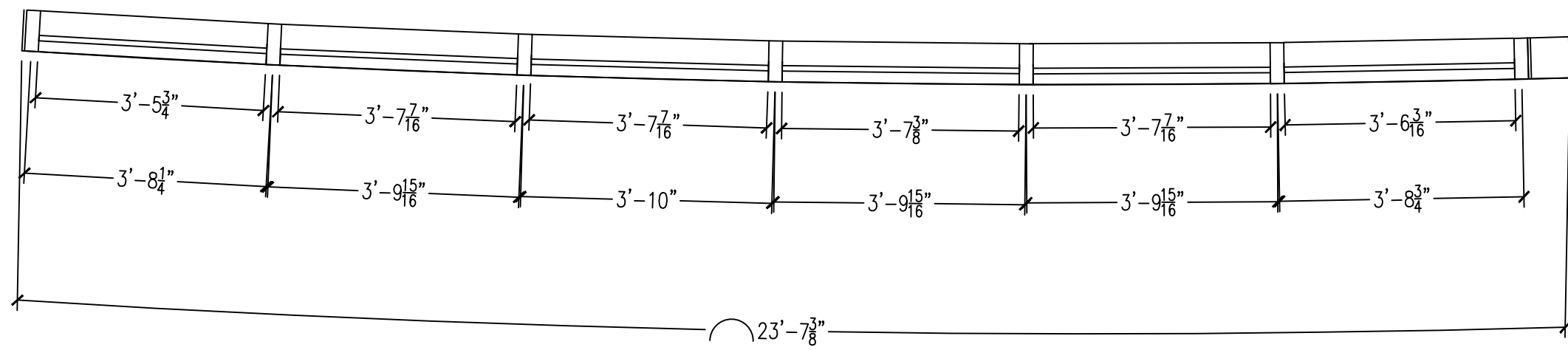
DRAFTSMAN:
 KS DRAFTING & DESIGN, LLC.
 KYLE SCHNECK
 HARRISBURG, PA 17110
 KYLE@KSDRAFTINGDESIGNLLC.COM
 717-228-7114
 KSDRAFTINGDESIGNLLC.COM

ARCHITECT:
 BERGMEYER

DRAWN BY: KYLE SCHNECK
 CHECKED BY: KYLE SCHNECK

DATE: 01/25/2017

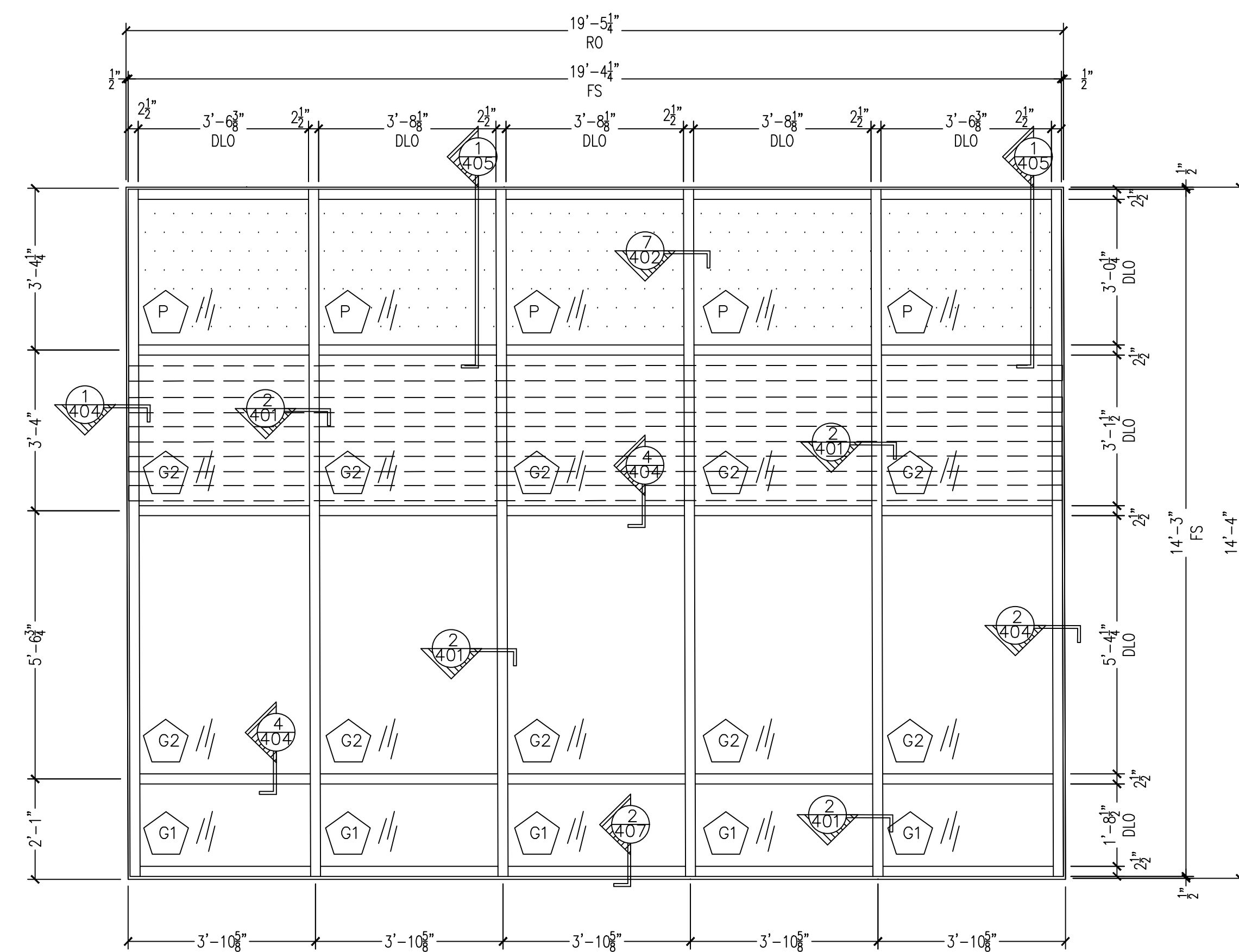
SHEET: **211**



SUNSHADES SHOWN DASHED
 KAWNEER 1600 CURTAINWALL FRAMING

QTY: 1

1 CURTAINWALL 09
 ARCH. REF: C9/A606



SUNSHADES SHOWN DASHED
 KAWNEER 1600 CURTAINWALL FRAMING

QTY: 1

2 CURTAINWALL 08
 ARCH. REF: C8/A606

NO.	REVISION/ISSUED	DATE
1	1ST SUBMITTAL	01/25/2017

PROJECT NAME & LOCATION:
MOUNT HOLYOKE COLLEGE
50 COLLEGE STREET
SOUTH HADLEY, MA 01075

SHEET TITLE:
ELEVATIONS

DRAFTSMAN:

KS DRAFTING & DESIGN, LLC.
 KYLE SCHNECK
 HARRISBURG, PA 17110
 KYLE@KSDRAFTINGDESIGNLLC.COM
 717-228-7114
 KSDRAFTINGDESIGNLLC.COM

ARCHITECT:

BERGMEYER

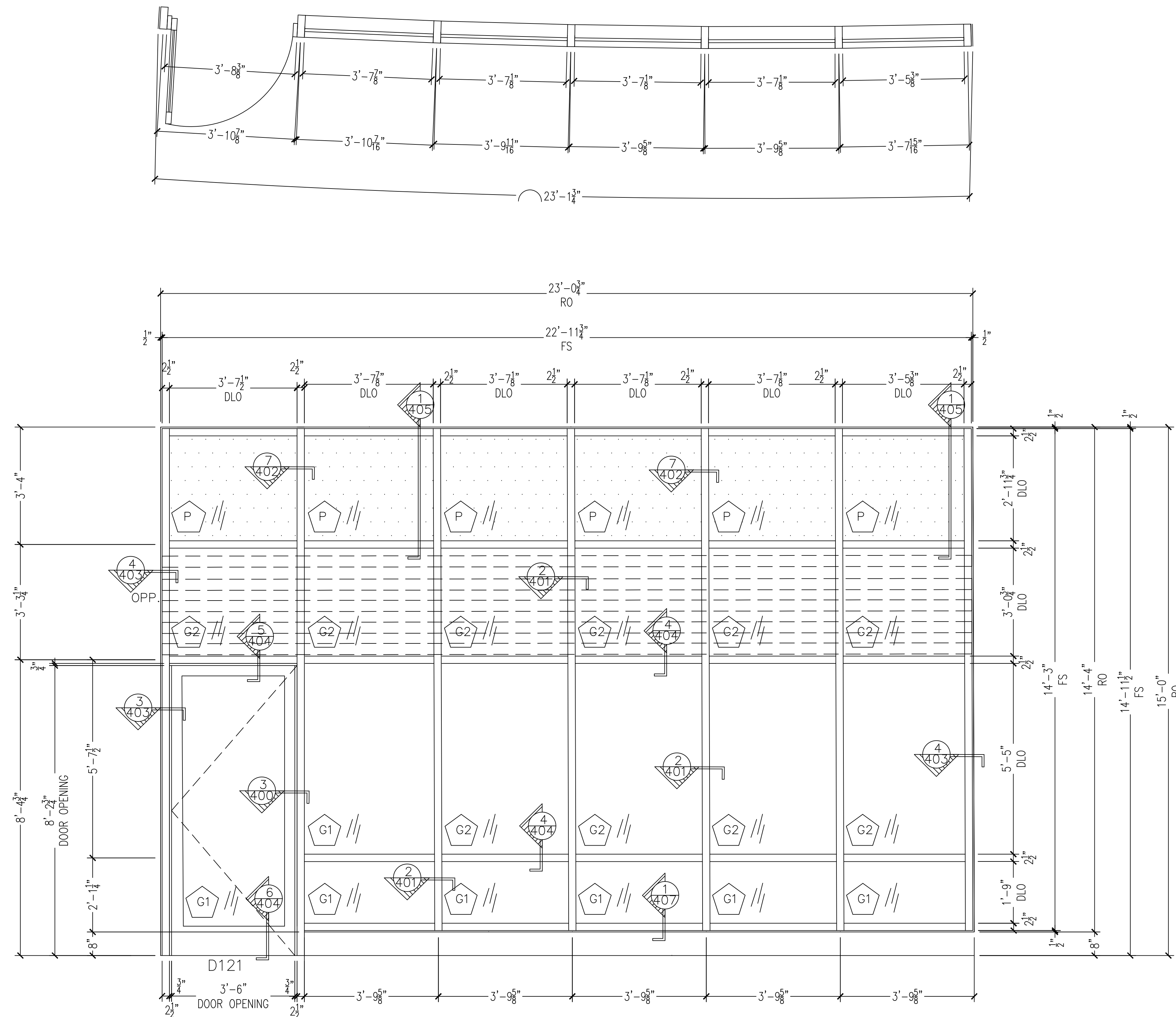
DRAWN BY: KYLE SCHNECK

CHECKED BY: KYLE SCHNECK

DATE: 01/25/2017

SHEET:

212



SUNSHADES SHOWN DASHED
 KAWNEER 1600 CURTAINWALL FRAMING
 KAWNEER AA425 STOREFRONT DOORS

QTY: 1

1 CURTAINWALL 07
 ARCH. REF: C7/A606

NO.	REVISION/ISSUED	DATE
1	1ST SUBMITTAL	01/25/2017

PROJECT NAME & LOCATION:
MOUNT HOLYOKE COLLEGE
50 COLLEGE STREET
SOUTH HADLEY, MA 01075

SHEET TITLE:
ELEVATIONS

DRAFTSMAN:

KS DRAFTING & DESIGN, LLC.
 KYLE SCHNECK
 HARRISBURG, PA 17110
 KYLE@KSDRAFTINGDESIGNLLC.COM
 717-228-7114
 KSDRAFTINGDESIGNLLC.COM

ARCHITECT:

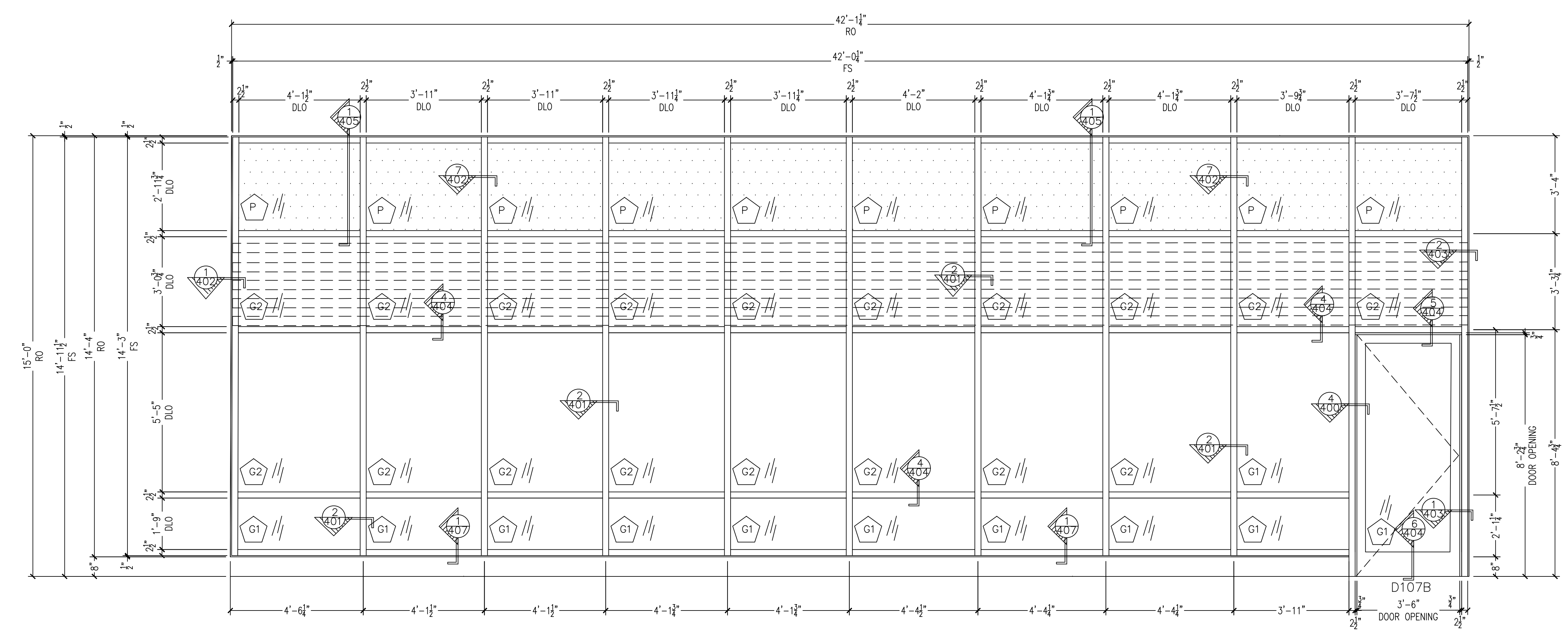
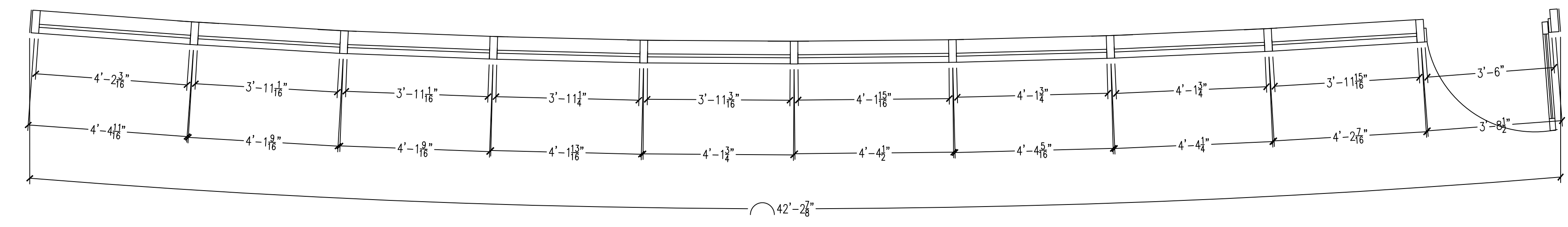
BERGMEYER

DRAWN BY: KYLE SCHNECK

CHECKED BY: KYLE SCHNECK

DATE: 01/25/2017

SHEET:
213



SUNSHADES SHOWN DASHED
 KAWNEER 1600 CURTAINWALL FRAMING
 KAWNEER AA425 STOREFRONT DOORS
 QTY: 1

1 CURTAINWALL_06
 ARCH. REF: C6/A606

NO.	REVISION/ISSUED	DATE
1	1ST SUBMITTAL	01/25/2017

PROJECT NAME & LOCATION:
MOUNT HOLYOKE COLLEGE
50 COLLEGE STREET
SOUTH HADLEY, MA 01075

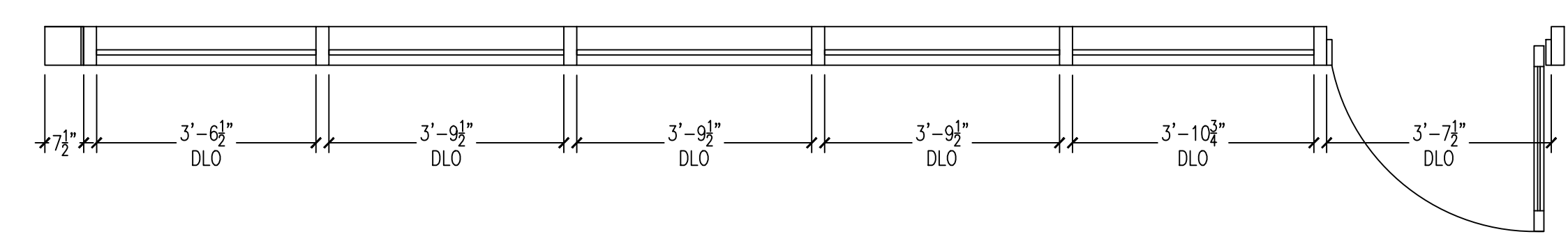
SHEET TITLE:
ELEVATIONS

DRAFTSMAN:
 KS DRAFTING & DESIGN, LLC.
 KYLE SCHNECK
 HARRISBURG, PA 17110
 KYLE@KSDRAFTINGDESIGNLLC.COM
 717-228-7114
 KSDRAFTINGDESIGNLLC.COM

ARCHITECT:
 BERGMEYER

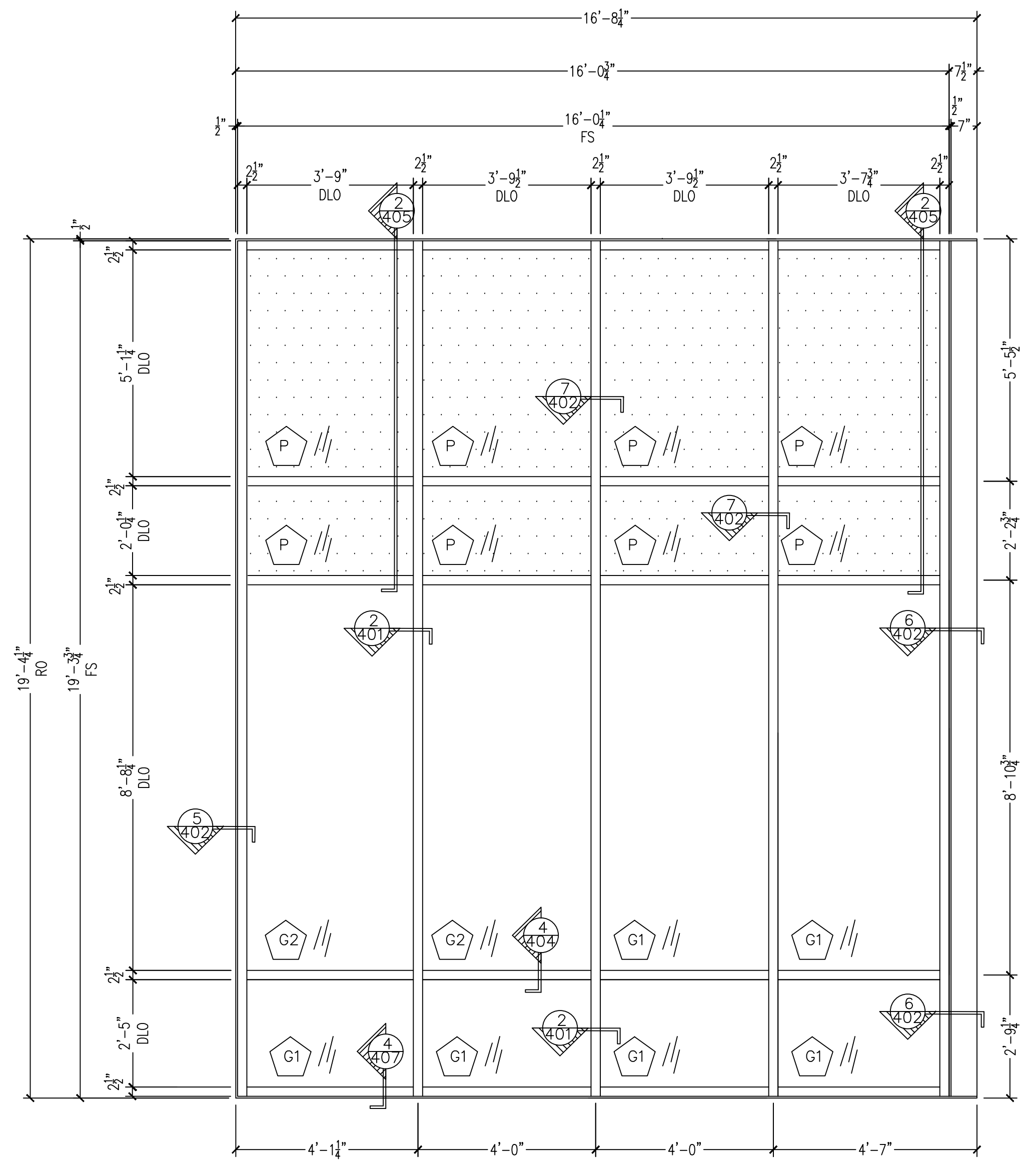
DRAWN BY: KYLE SCHNECK
 CHECKED BY: KYLE SCHNECK

DATE: 01/25/2017
 SHEET: 214



ARCHITECT NOTE:
 PLEASE VERIFY R.O. HEIGHT
 OF THE FRAMES. THERE IS A
 CONFLICT BETWEEN THE
 R.O. DIMENSION AND THE
 CENTERLINE DIMENSIONS WHEN
 THEY ARE ADDED UP.

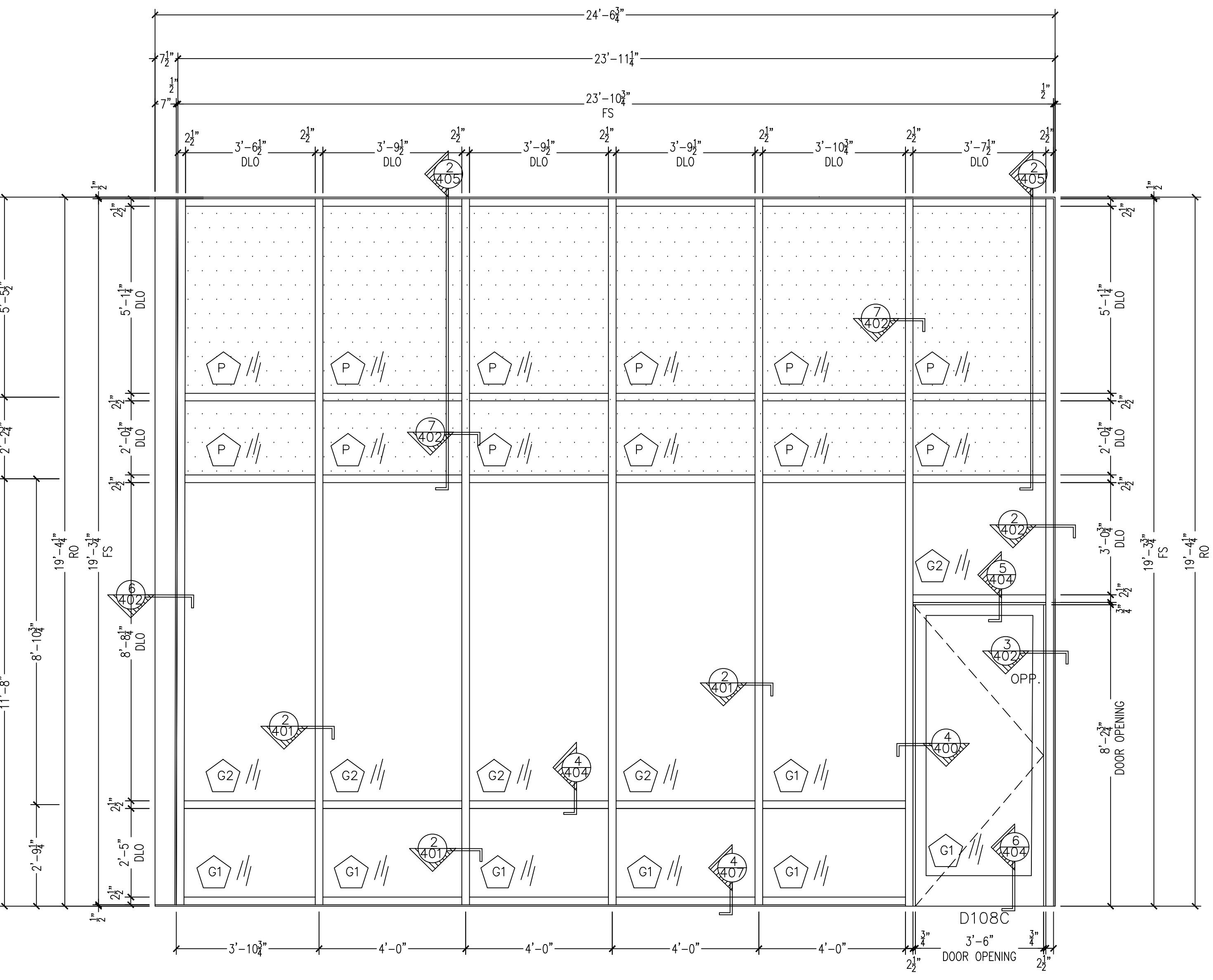
ARCHITECT NOTE:
 PLEASE VERIFY R.O. HEIGHT
 OF THE FRAMES. THERE IS A
 CONFLICT BETWEEN THE
 R.O. DIMENSION AND THE
 CENTERLINE DIMENSIONS WHEN
 THEY ARE ADDED UP.



KAWNEER 1600 CURTAINWALL FRAMING

QTY: 1

2 CURTAINWALL 04
 ARCH. REF: C4/A606



KAWNEER 1600 CURTAINWALL FRAMING
 KAWNEER AA425 STOREFRONT DOORS

QTY: 1

1 CURTAINWALL 05
 ARCH. REF: C5/A606

NO.	REVISION/ISSUED	DATE
1	1ST SUBMITTAL	01/25/2017

PROJECT NAME & LOCATION:
MOUNT HOLYOKE COLLEGE
50 COLLEGE STREET
SOUTH HADLEY, MA 01075

SHEET TITLE:
ELEVATIONS

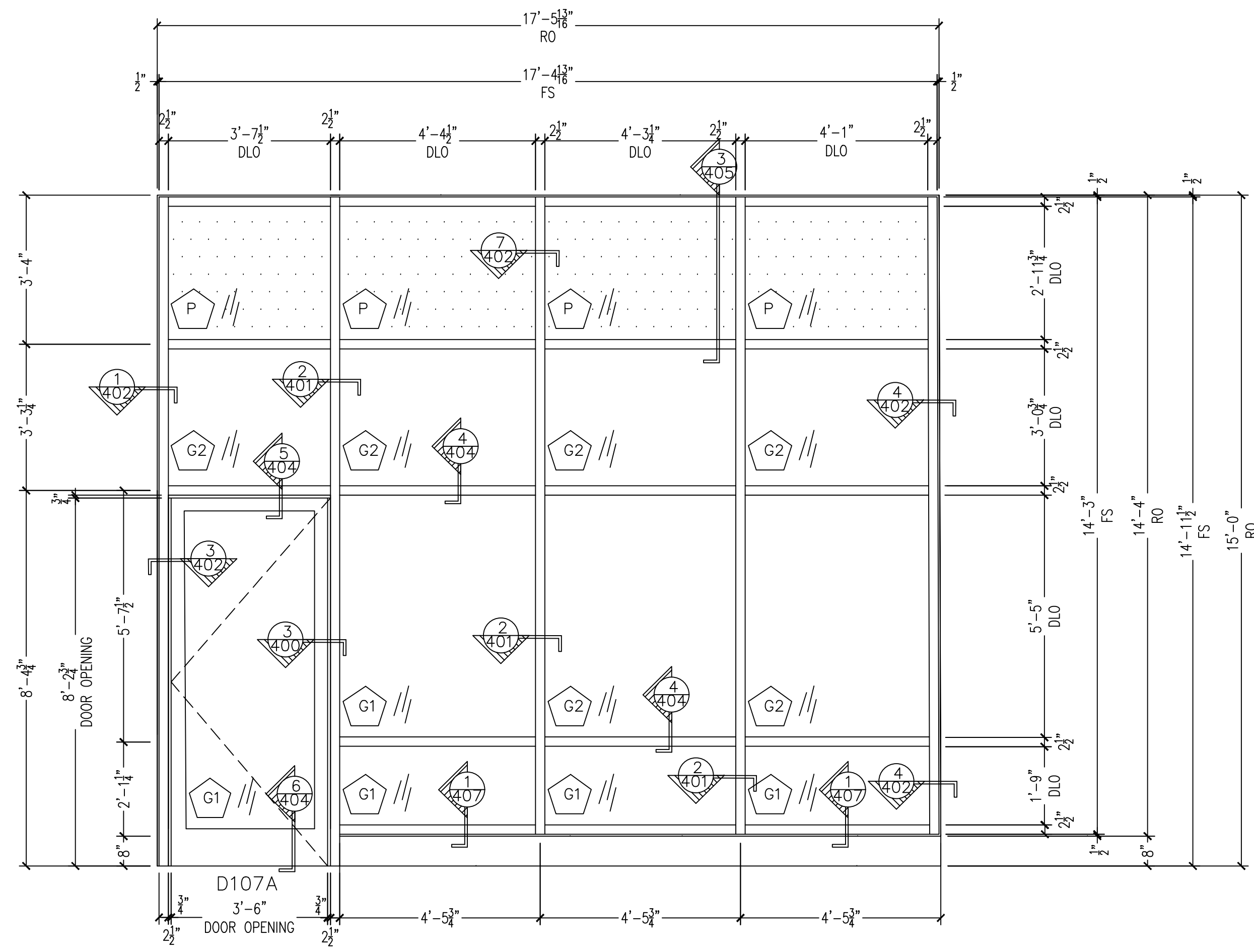
DRAFTSMAN:
 KS DRAFTING & DESIGN, LLC.
 KYLE SCHNECK
 HARRISBURG, PA 17110
 KYLE@KSDRAFTINGDESIGNLLC.COM
 717-228-7114
 KSDRAFTINGDESIGNLLC.COM

ARCHITECT:
 BERGMEYER

DRAWN BY: KYLE SCHNECK
 CHECKED BY: KYLE SCHNECK

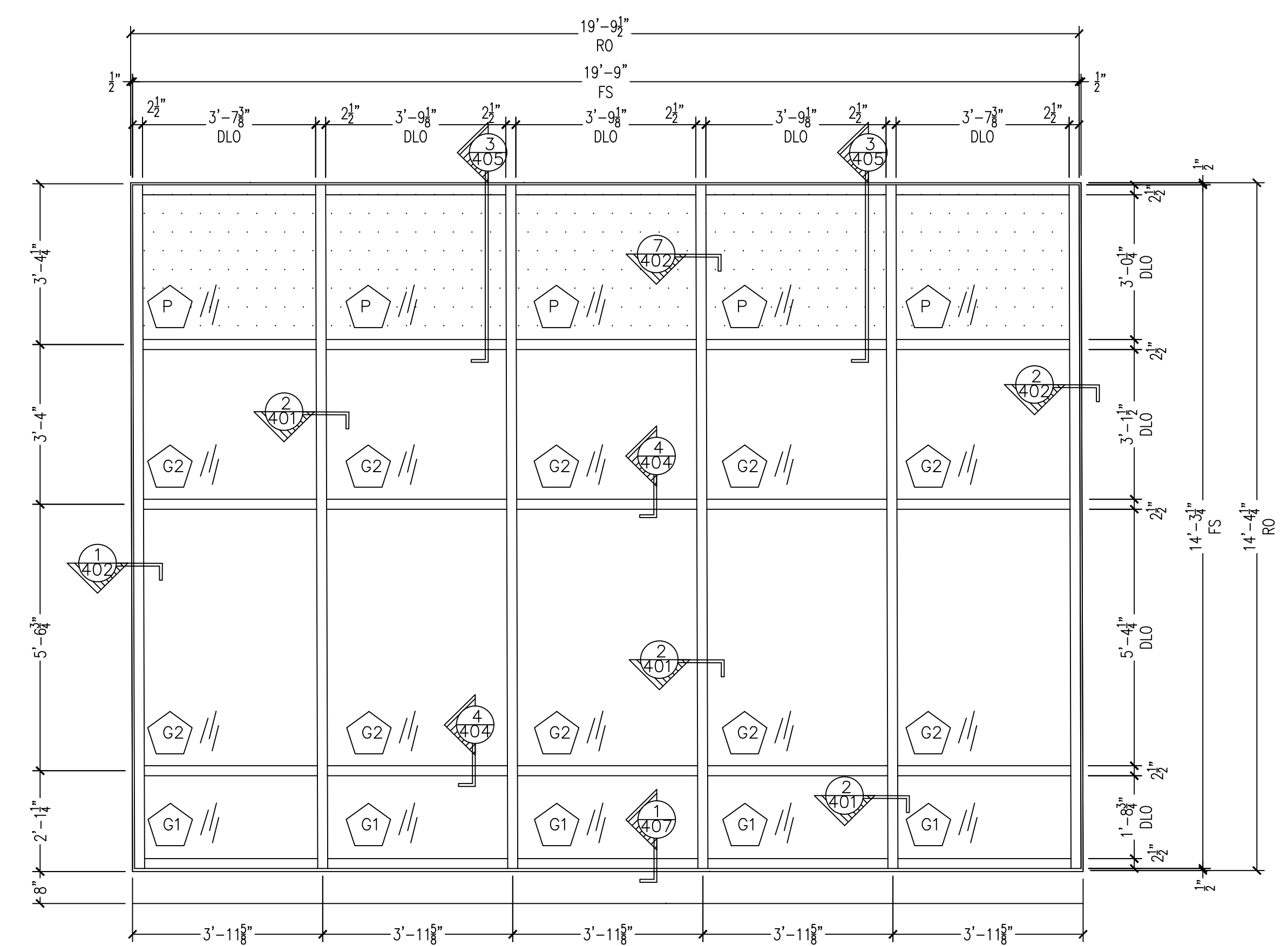
DATE: 01/25/2017
 SHEET: 215

ARCHITECT NOTE:
 PLEASE VERIFY R.O. HEIGHT
 OF THE FRAMES. THERE IS A
 CONFLICT BETWEEN THE
 R.O. DIMENSION AND THE
 CENTERLINE DIMENSIONS WHEN
 THEY ARE ADDED UP.



KAWNEER 1600 CURTAINWALL FRAMING
 KAWNEER AA425 STOREFRONT DOORS
 QTY: 1

1 CURTAINWALL 03
 ARCH. REF: C3/A603



KAWNEER 1600 CURTAINWALL FRAMING
 QTY: 1

2 CURTAINWALL 02
 ARCH. REF: C2/A606

NO.	REVISION/ISSUED	DATE
1	1ST SUBMITTAL	01/25/2017

PROJECT NAME & LOCATION:
MOUNT HOLYOKE COLLEGE
50 COLLEGE STREET
SOUTH HADLEY, MA 01075

SHEET TITLE:
ELEVATIONS

DRAFTSMAN:

KS DRAFTING & DESIGN, LLC.
 KYLE SCHNECK
 HARRISBURG, PA 17110
 KYLE@KSDRAFTINGDESIGNLLC.COM
 717-228-7114
 KSDRAFTINGDESIGNLLC.COM

ARCHITECT:

BERGMEYER

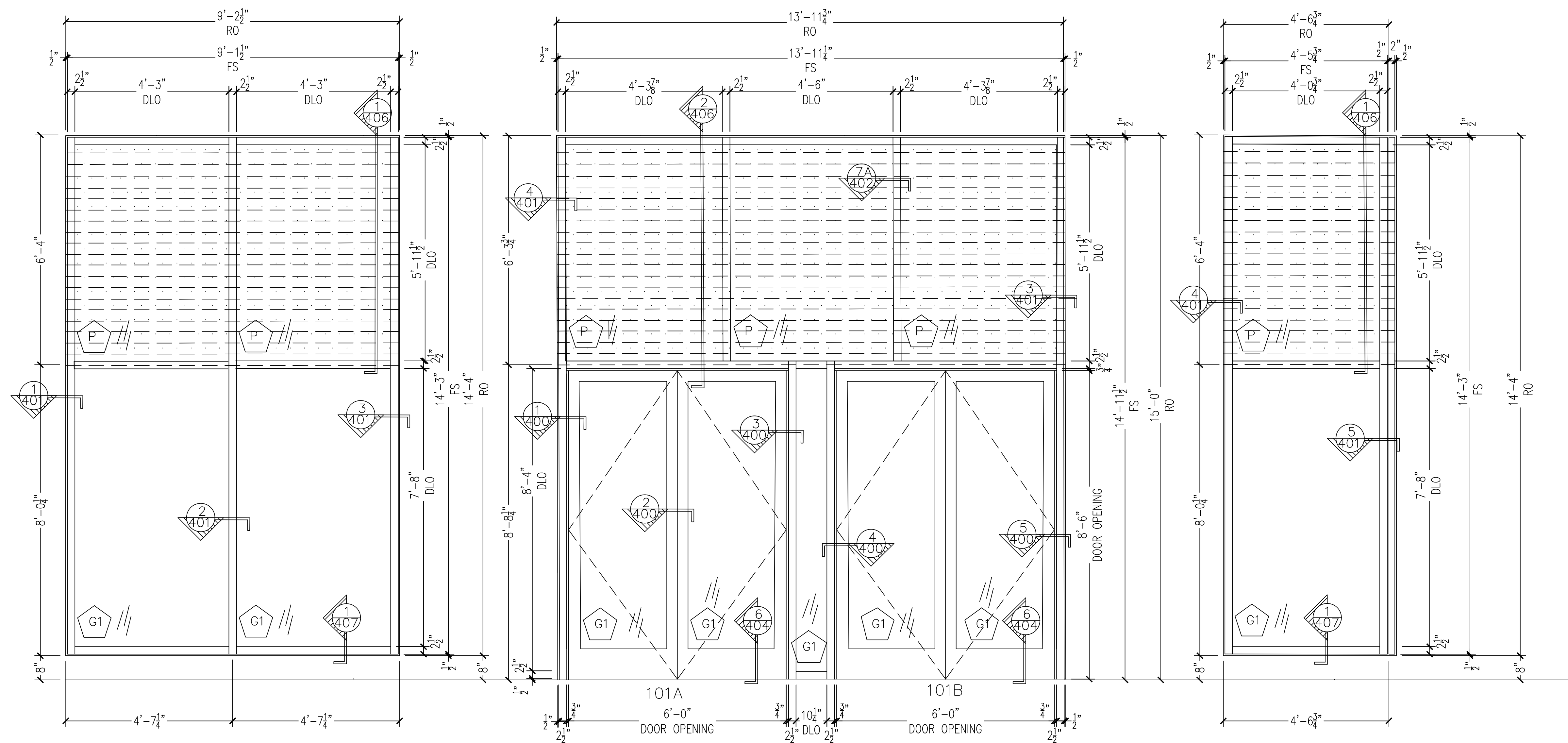
DRAWN BY: KYLE SCHNECK

CHECKED BY: KYLE SCHNECK

DATE: 01/25/2017

SHEET:

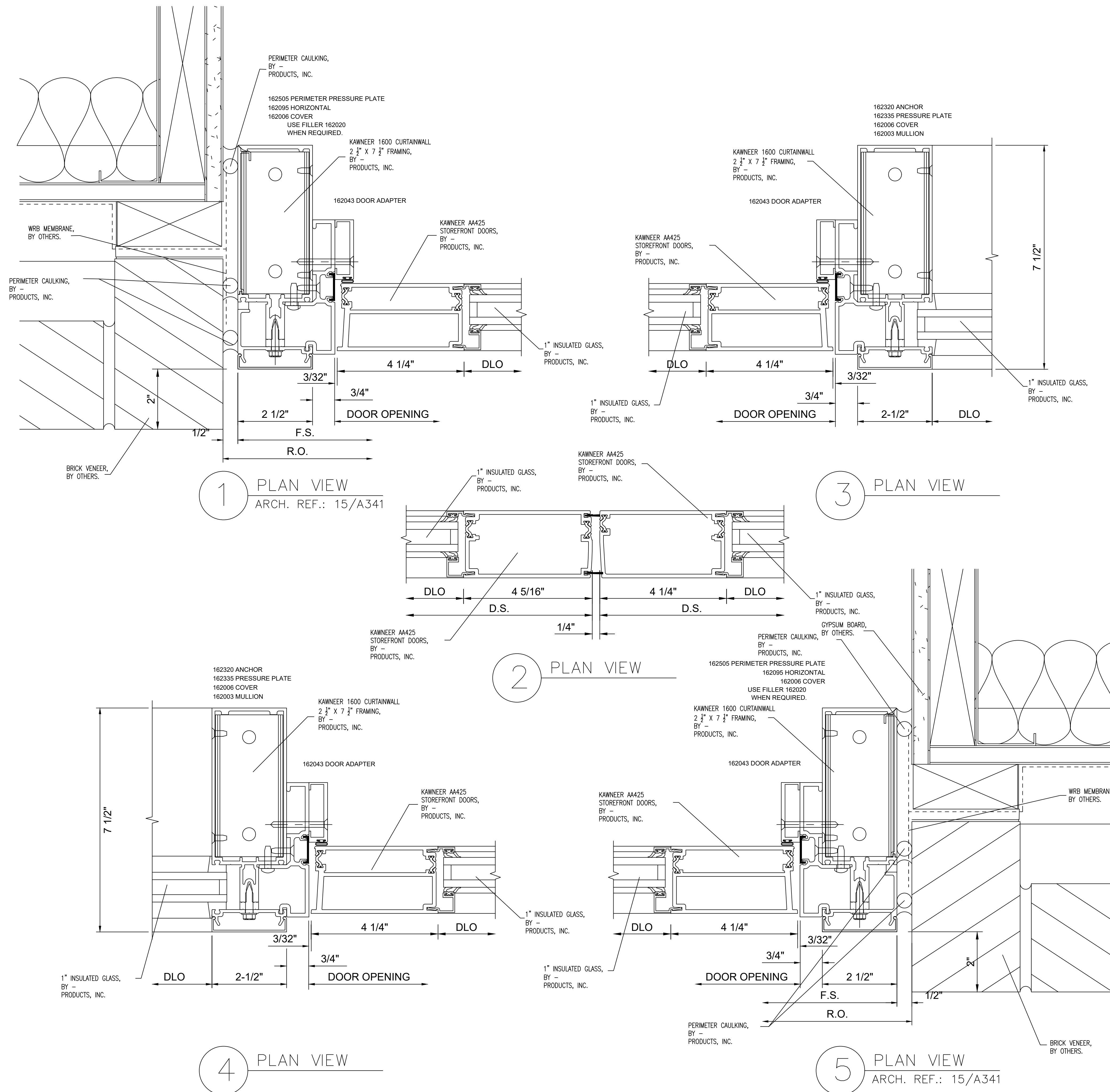
216



SUNSHADES SHOWN DASHED
 KAWNEER 1600 CURTAINWALL FRAMING
 KAWNEER AA425 STOREFRONT DOORS

QTY: 1

1 CURTAINWALL 1
 ARCH. REF: C1/A606



NO.	REVISION/ISSUED	DATE
1	1ST SUBMITTAL	01/25/2017

PROJECT NAME & LOCATION:
MOUNT HOLYOKE COLLEGE
50 COLLEGE STREET
SOUTH HADLEY, MA 01075

SHEET TITLE:
DETAILS

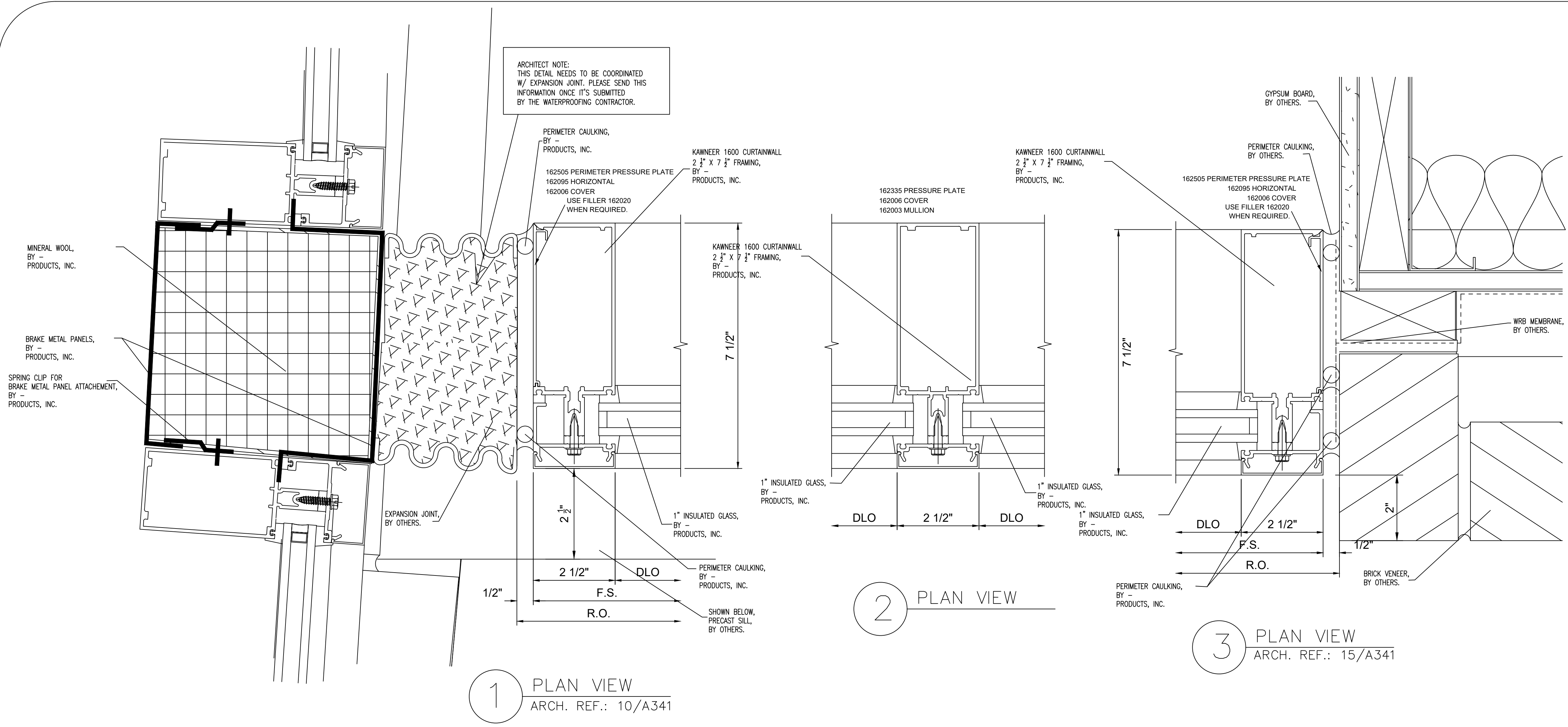
DRAFTSMAN:
 KS DRAFTING & DESIGN, LLC.
 KYLE SCHNECK
 HARRISBURG, PA 17110
 KYLE@KSDRAFTINGDESIGNLLC.COM
 717-228-7114
 KSDRAFTINGDESIGNLLC.COM

ARCHITECT:
 BERGMAYER

DRAWN BY: KYLE SCHNECK
 CHECKED BY: KYLE SCHNECK

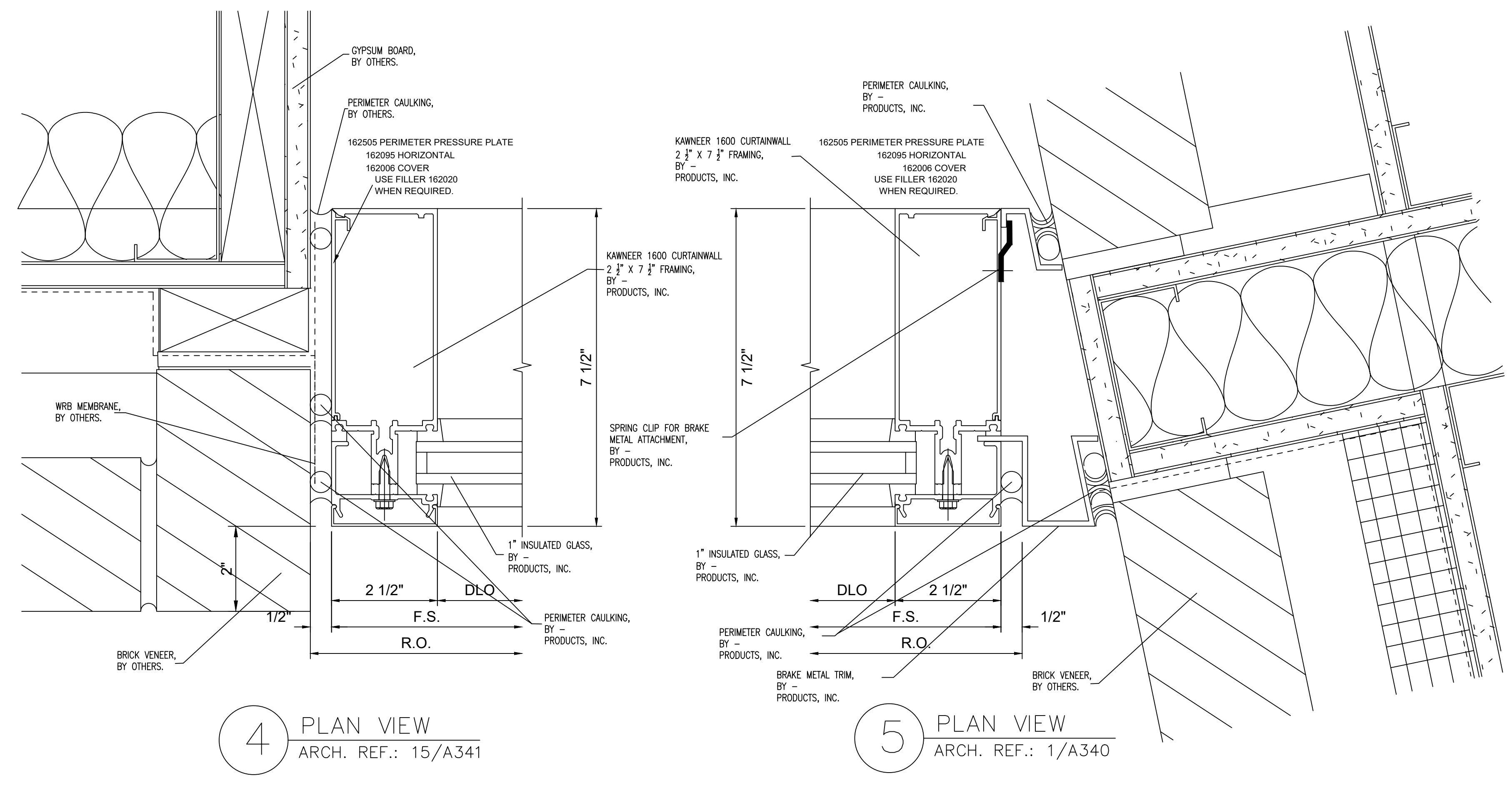
DATE: 01/25/2017
 SHEET: 400

ARCHITECT NOTE:
THIS DETAIL NEEDS TO BE COORDINATED
W/ EXPANSION JOINT. PLEASE SEND THIS
INFORMATION ONCE IT'S SUBMITTED
BY THE WATERPROOFING CONTRACTOR.



1 PLAN VIEW
ARCH. REF.: 10/A341

3 PLAN VIEW
ARCH. REF.: 15/A341



4 PLAN VIEW
ARCH. REF.: 15/A341

5 PLAN VIEW
ARCH. REF.: 1/A340

NO.	REVISION/ISSUED	DATE
1	1ST SUBMITTAL	01/25/2017

PROJECT NAME & LOCATION:
MOUNT HOLYOKE COLLEGE
50 COLLEGE STREET
SOUTH HADLEY, MA 01075

SHEET TITLE:
DETAILS

DRAFTSMAN:
KS DRAFTING & DESIGN, LLC.
KYLE SCHNECK
HARRISBURG, PA 17110
KYLE@KSDRAFTINGDESIGNLLC.COM
717-228-7114
KSDRAFTINGDESIGNLLC.COM

ARCHITECT:
BERGMEYER

DRAWN BY: KYLE SCHNECK
CHECKED BY: KYLE SCHNECK

DATE: 01/25/2017
SHEET: 401

NO.	REVISION/ISSUED	DATE
1	1ST SUBMITTAL	01/25/2017

PROJECT NAME & LOCATION:
MOUNT HOLYOKE COLLEGE
50 COLLEGE STREET
SOUTH HADLEY, MA 01075

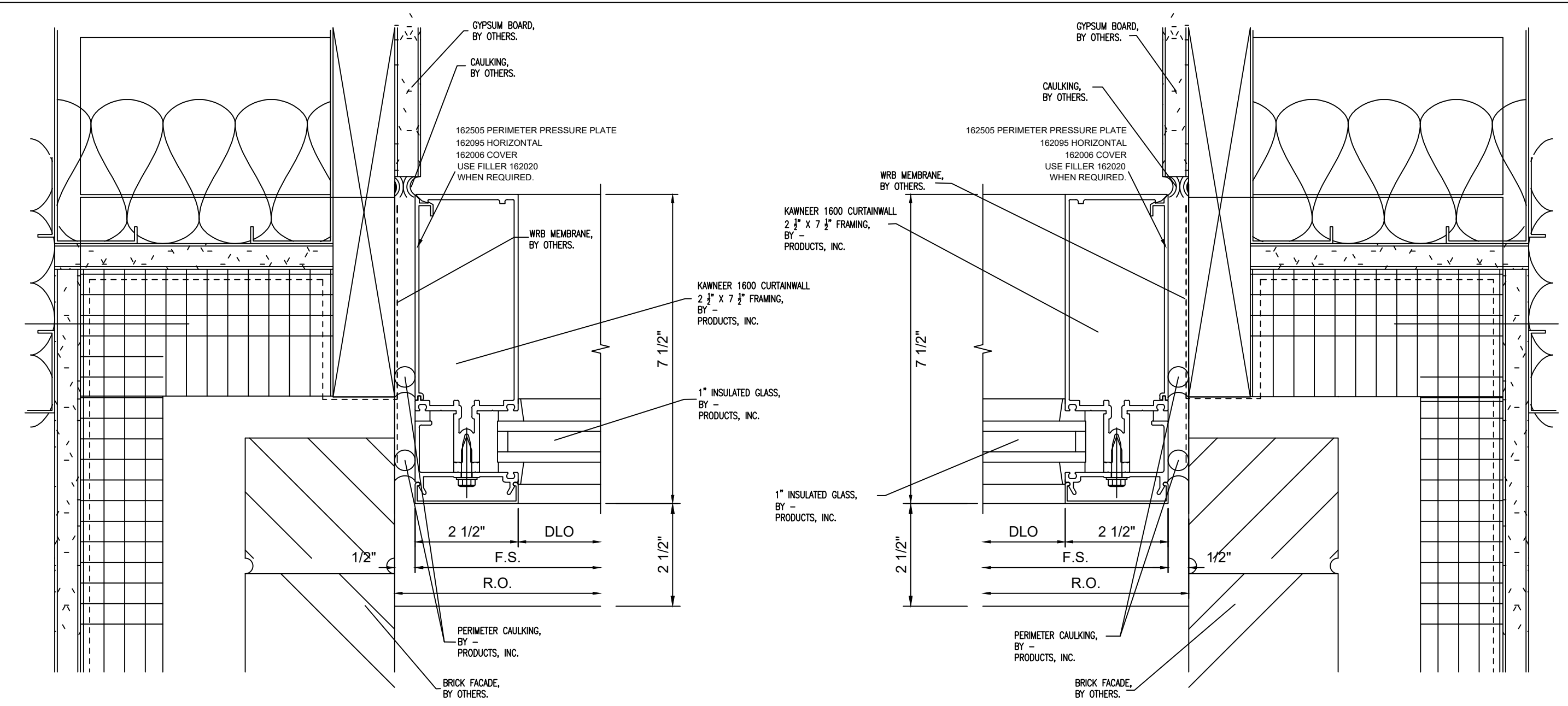
SHEET TITLE:
DETAILS

DRAFTSMAN:
 KS DRAFTING & DESIGN, LLC.
 KYLE SCHNECK
 HARRISBURG, PA 17110
 KYLE@KSDRAFTINGDESIGNLLC.COM
 717-228-7114
 KSDRAFTINGDESIGNLLC.COM

ARCHITECT:
 BERGMAYER

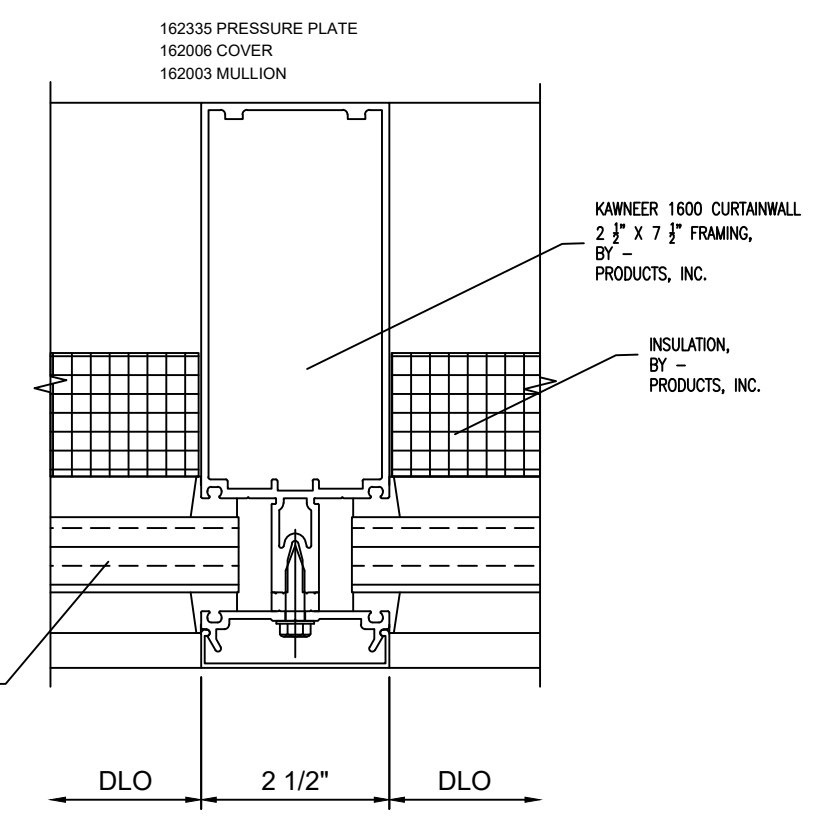
DRAWN BY: KYLE SCHNECK
 CHECKED BY: KYLE SCHNECK

DATE: 01/25/2017
 SHEET: 402

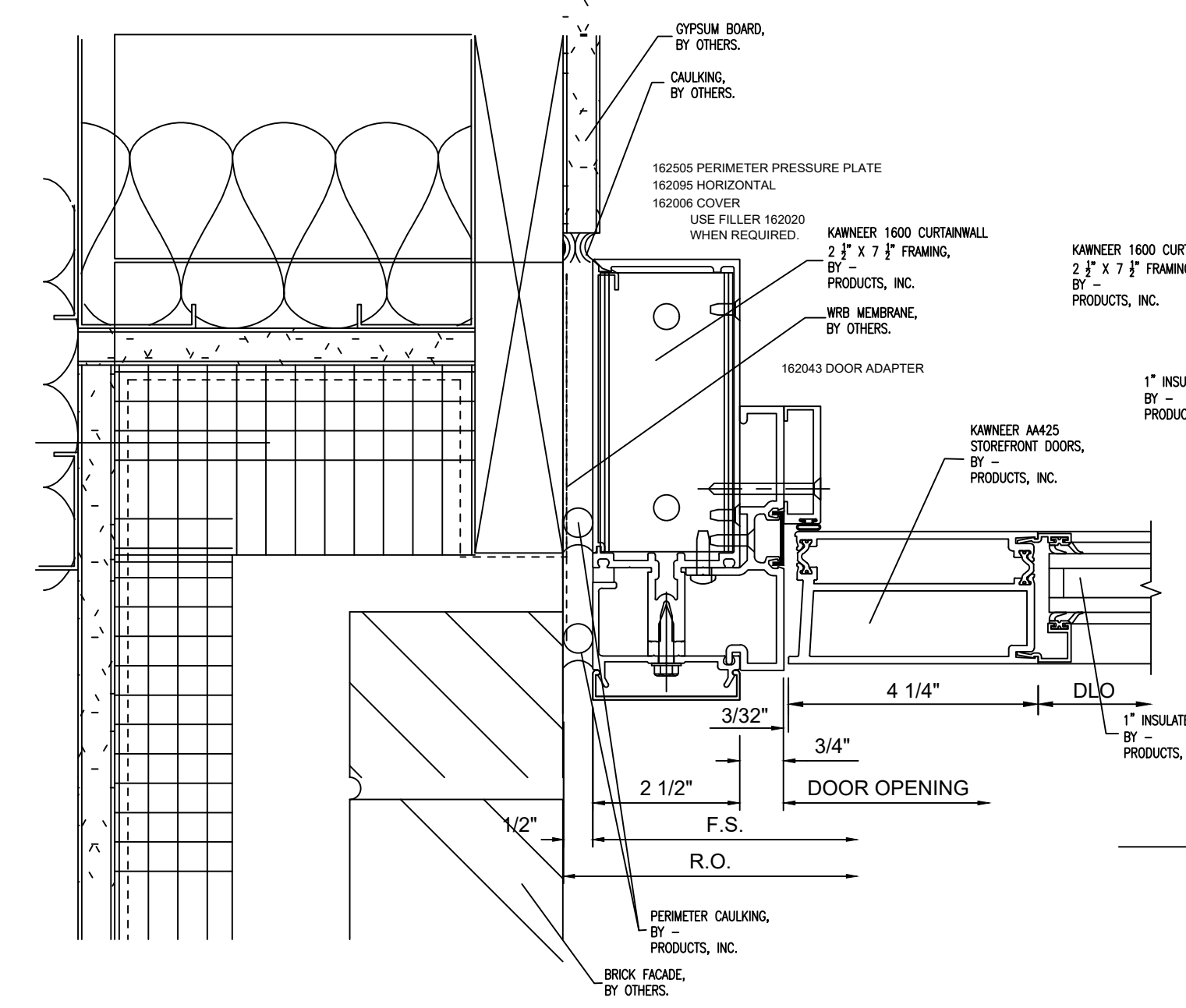


1 PLAN VIEW
 ARCH. REF.: 3/A340

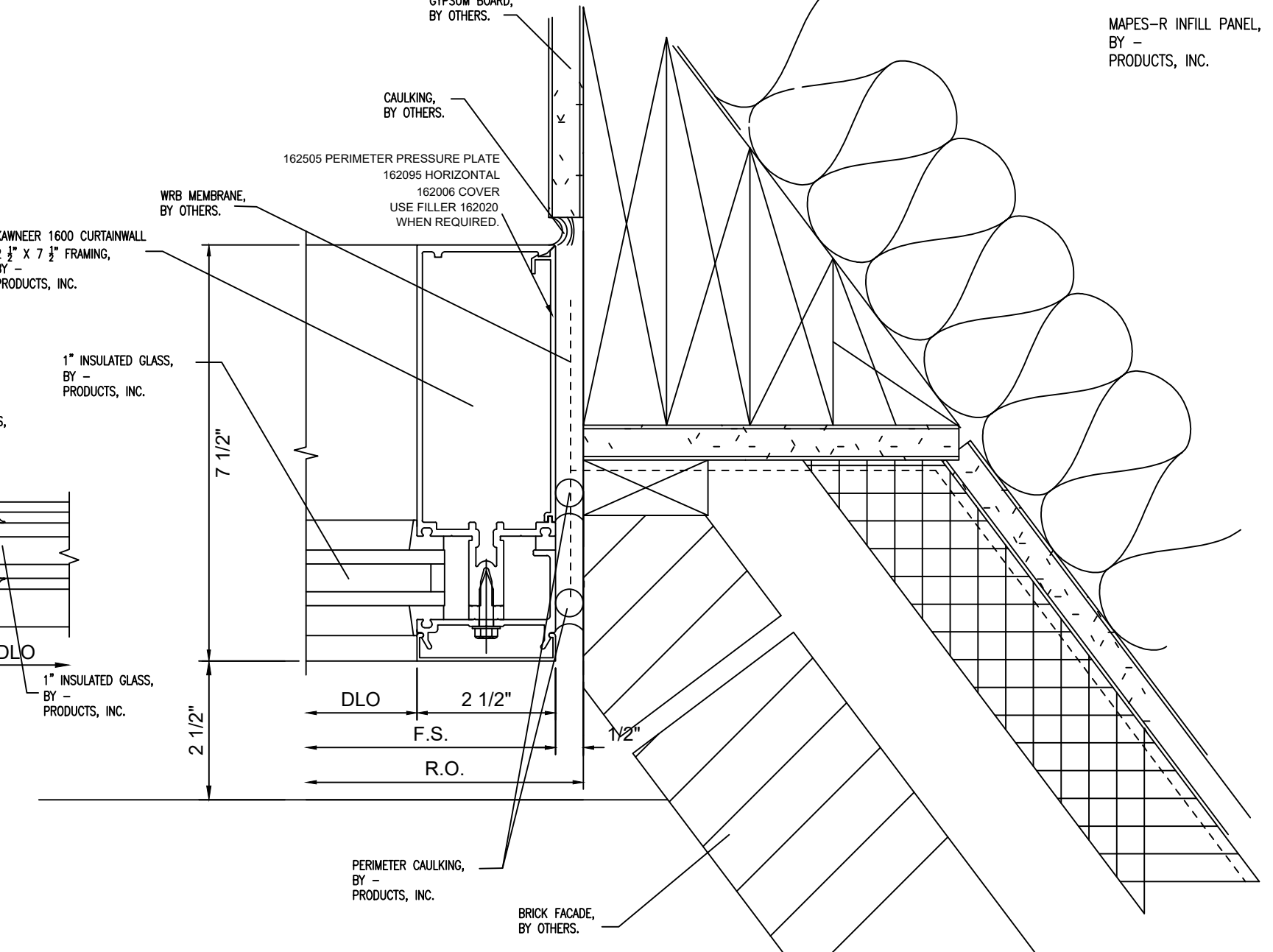
2 PLAN VIEW
 ARCH. REF.: 3/A340



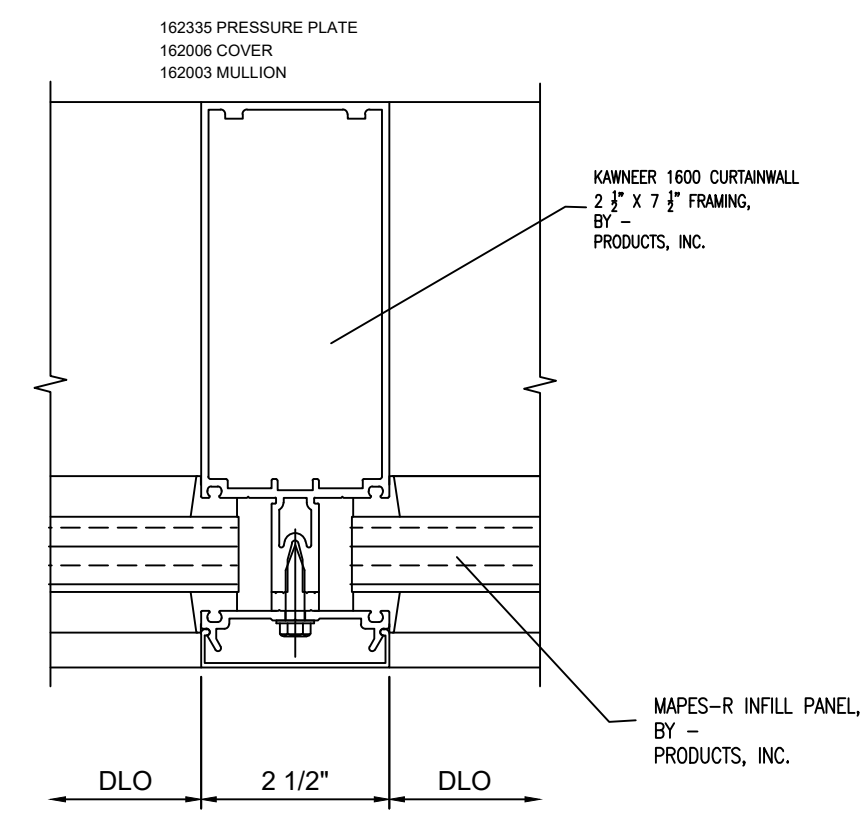
7 PLAN VIEW



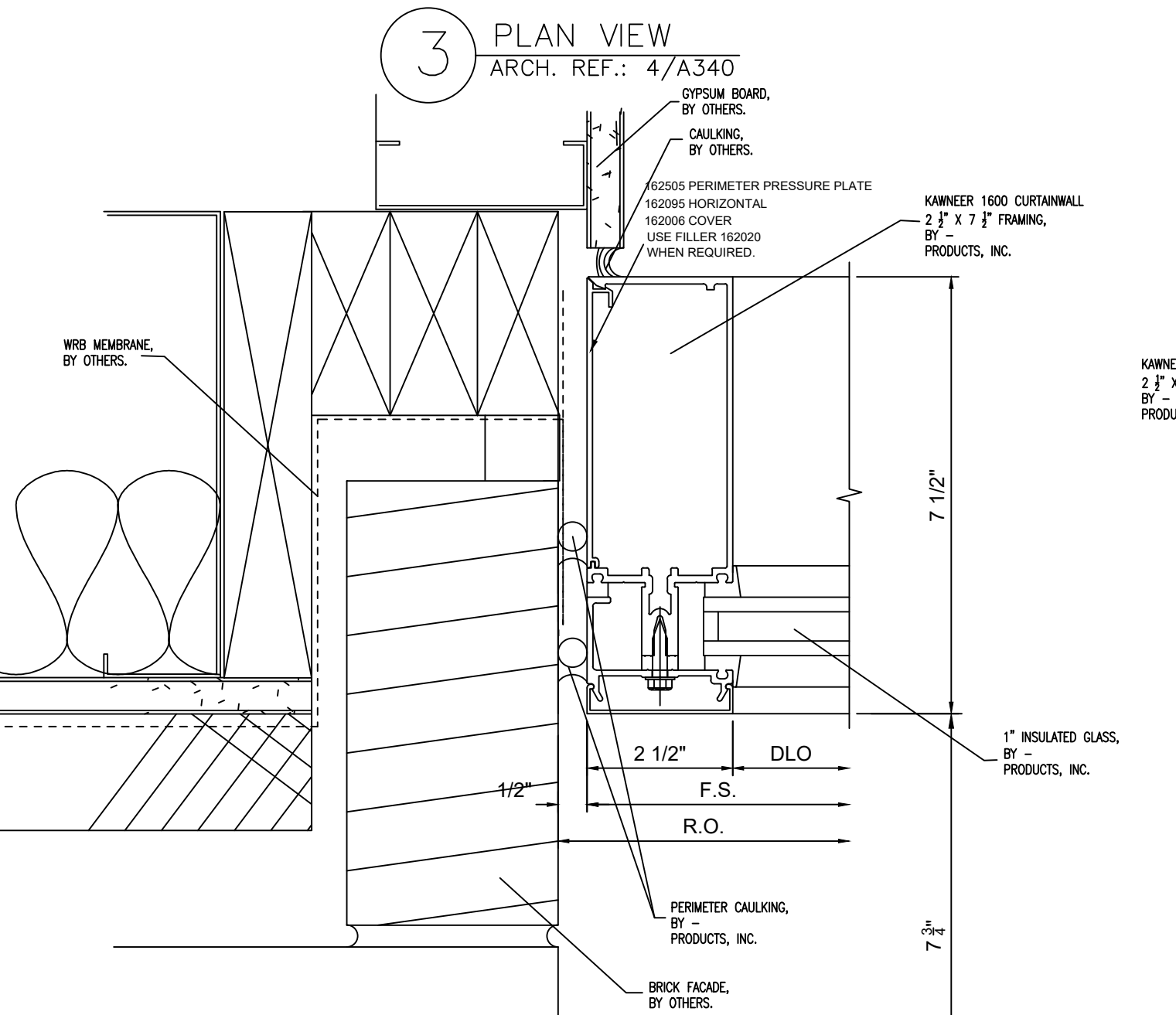
3 PLAN VIEW
 ARCH. REF.: 4/A340



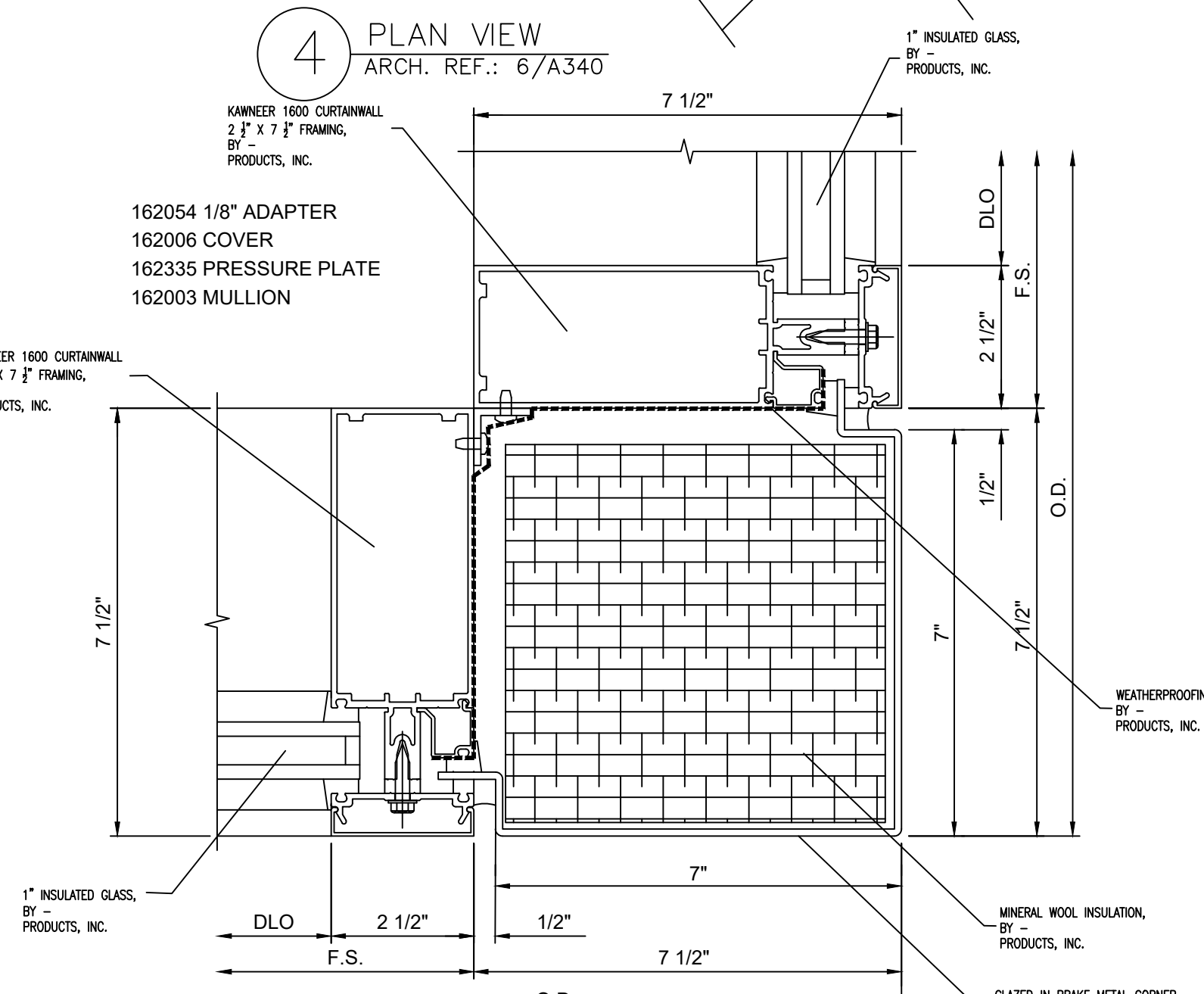
4 PLAN VIEW
 ARCH. REF.: 6/A340



7A PLAN VIEW



5 PLAN VIEW
 ARCH. REF.: 7/A340



6 PLAN VIEW
 ARCH. REF.: 5/A341

NO.	REVISION/ISSUED	DATE
1	1ST SUBMITTAL	01/25/2017

PROJECT NAME & LOCATION:
MOUNT HOLYOKE COLLEGE
50 COLLEGE STREET
SOUTH HADLEY, MA 01075

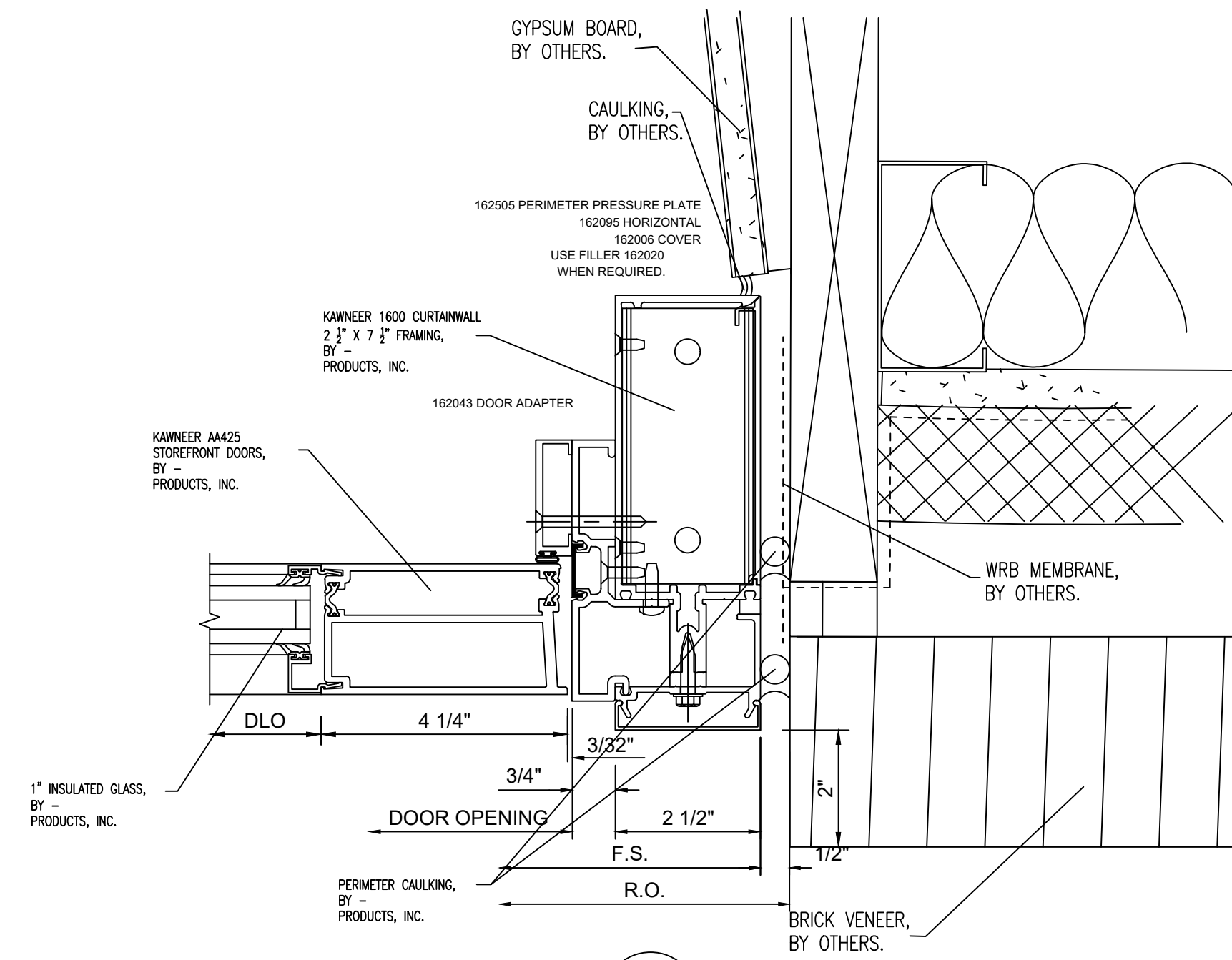
SHEET TITLE:
DETAILS

DRAFTSMAN:
 KS DRAFTING & DESIGN, LLC.
 KYLE SCHNECK
 HARRISBURG, PA 17110
 KYLE@KSDRAFTINGDESIGNLLC.COM
 717-228-7114
 KSDRAFTINGDESIGNLLC.COM

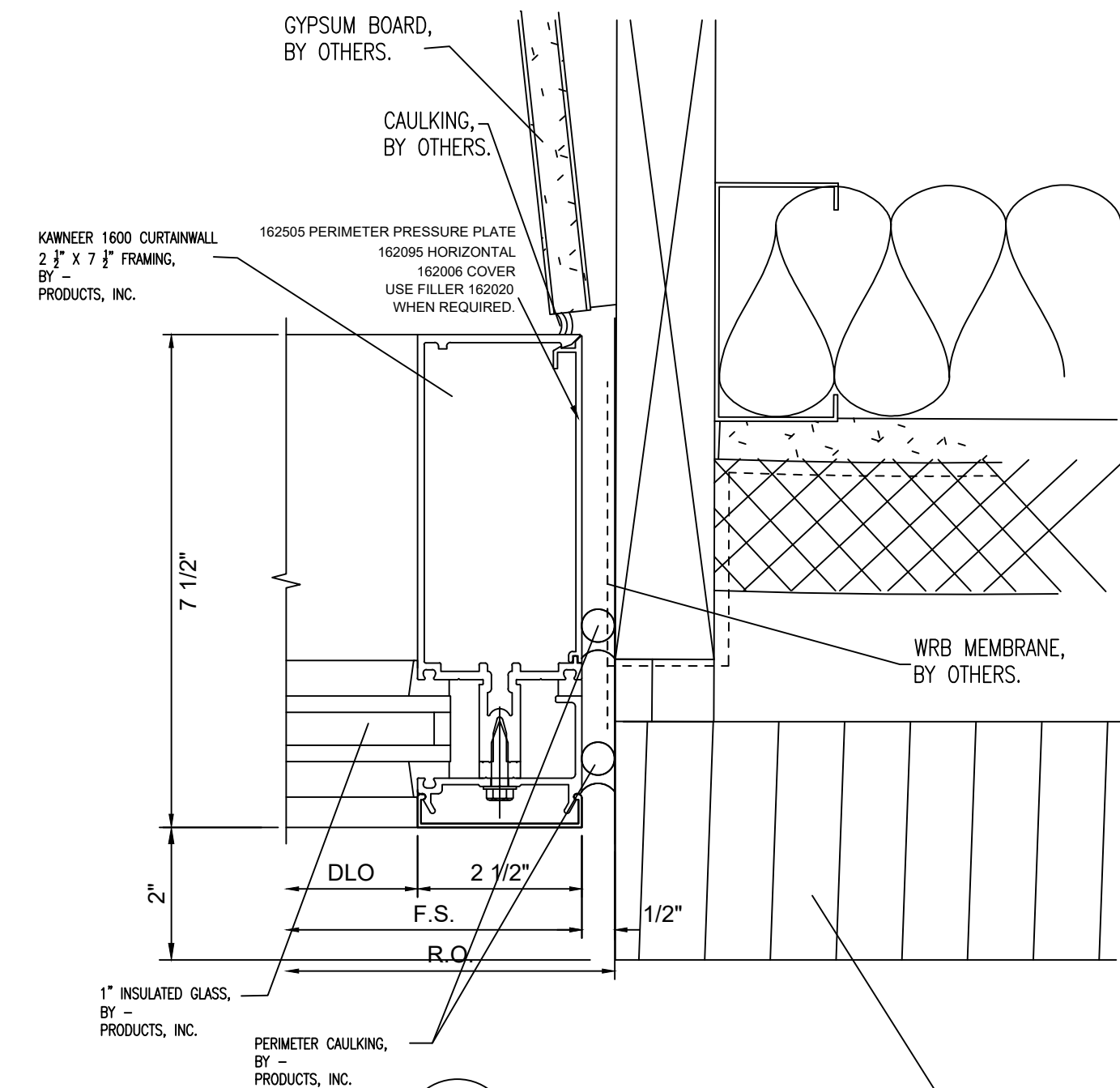
ARCHITECT:
 BERGMAYER

DRAWN BY: KYLE SCHNECK
 CHECKED BY: KYLE SCHNECK

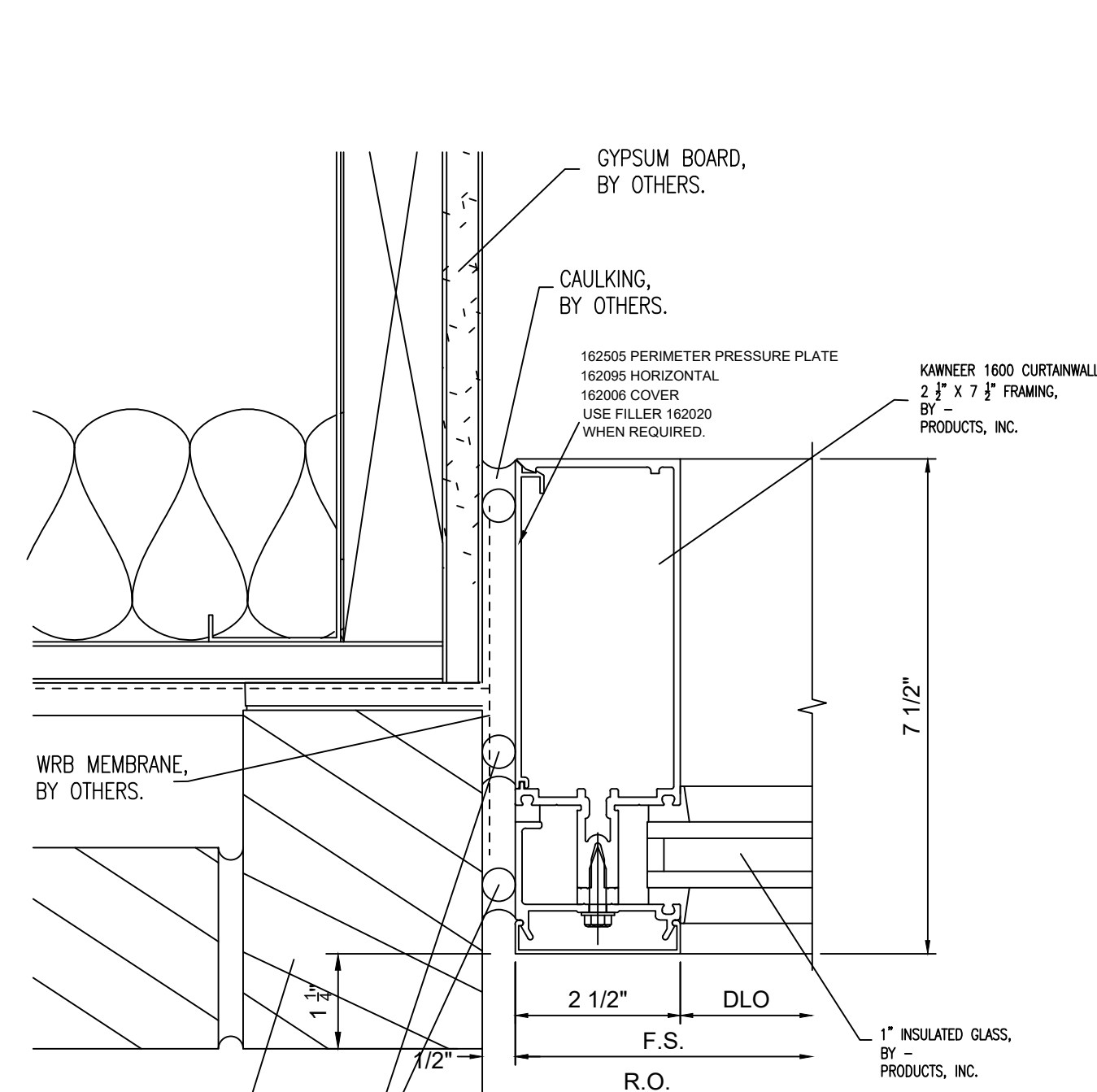
DATE: 01/25/2017
 SHEET: 403



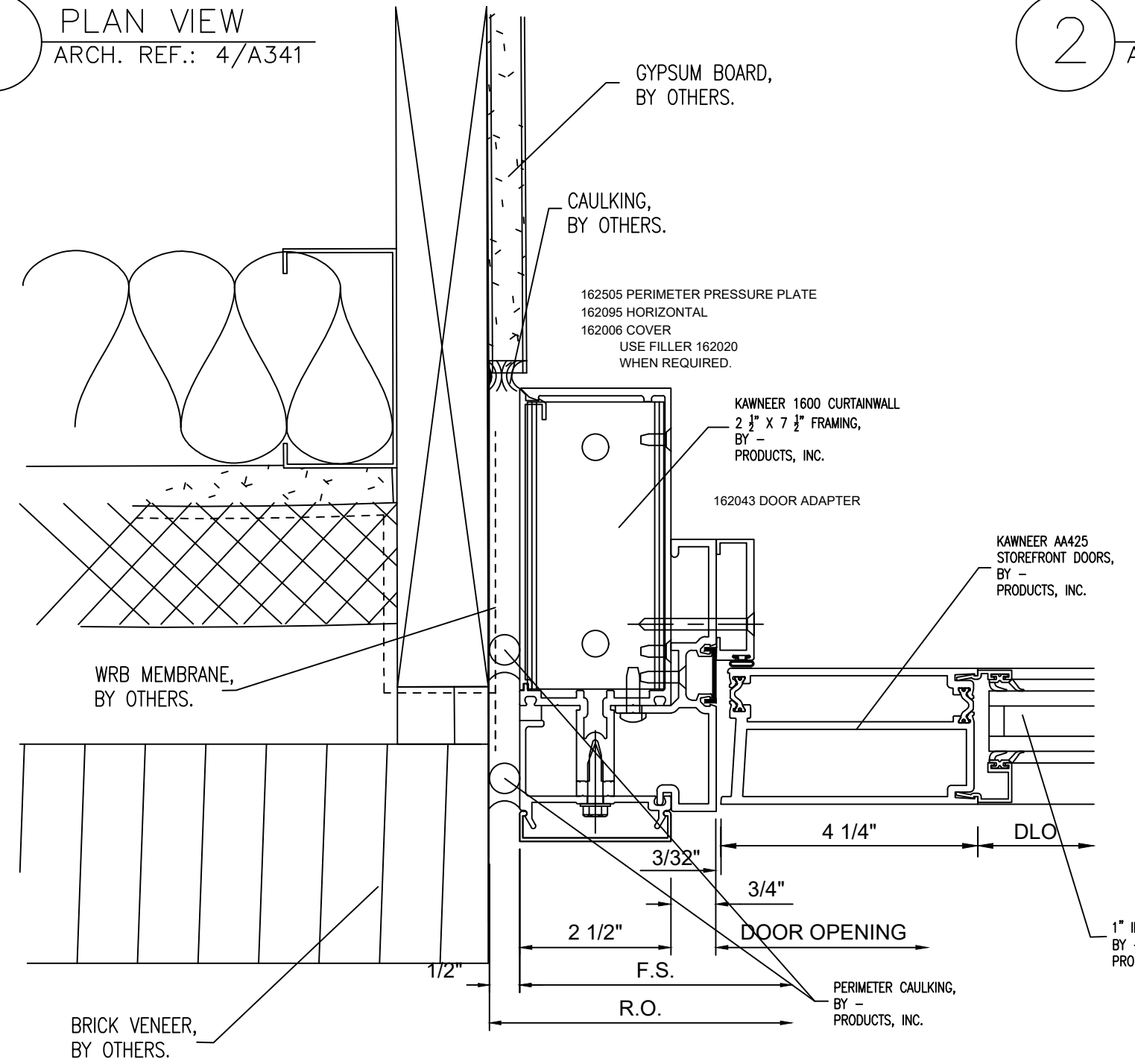
1 PLAN VIEW
 ARCH. REF.: 4/A341



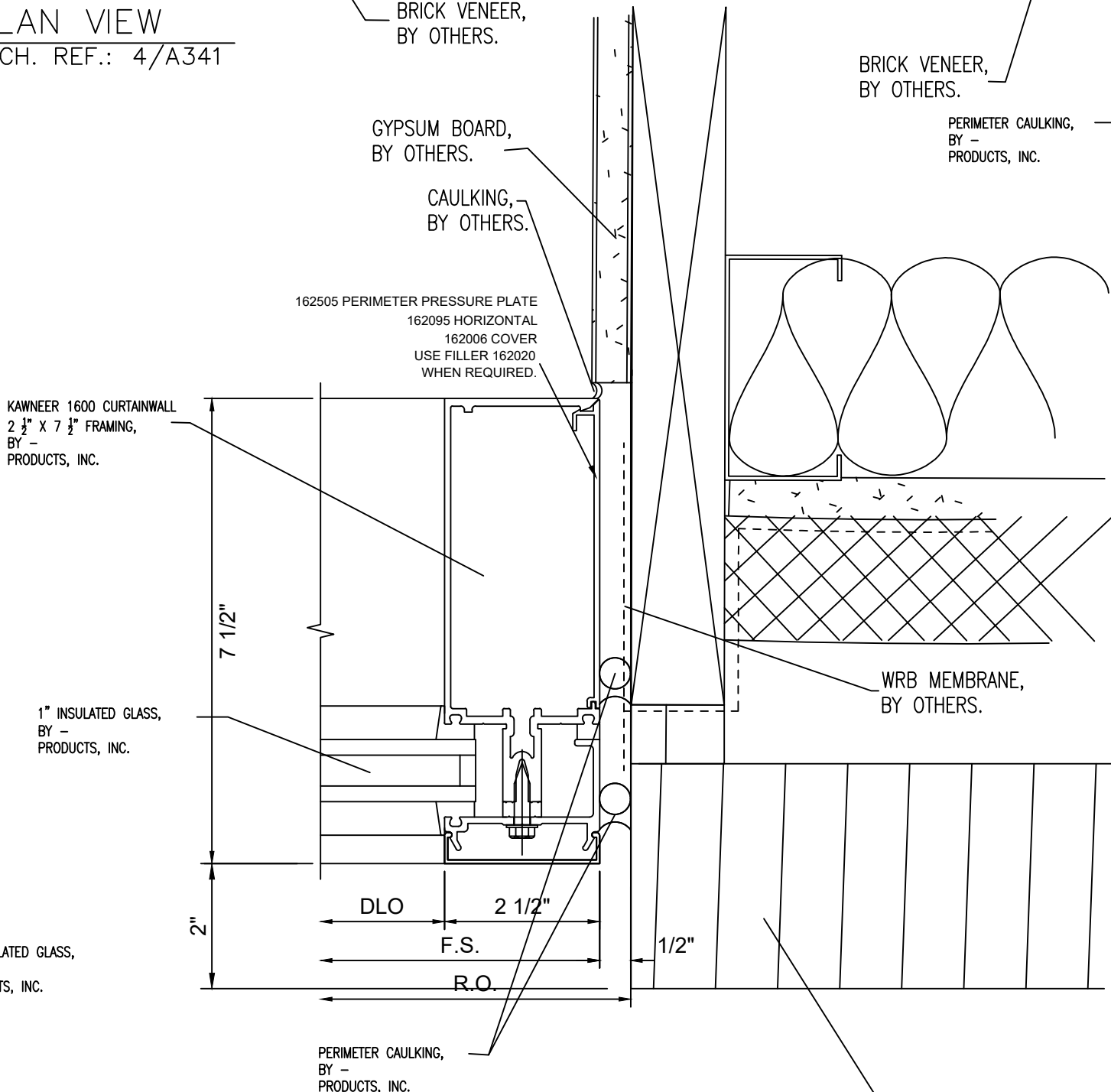
2 PLAN VIEW
 ARCH. REF.: 4/A341



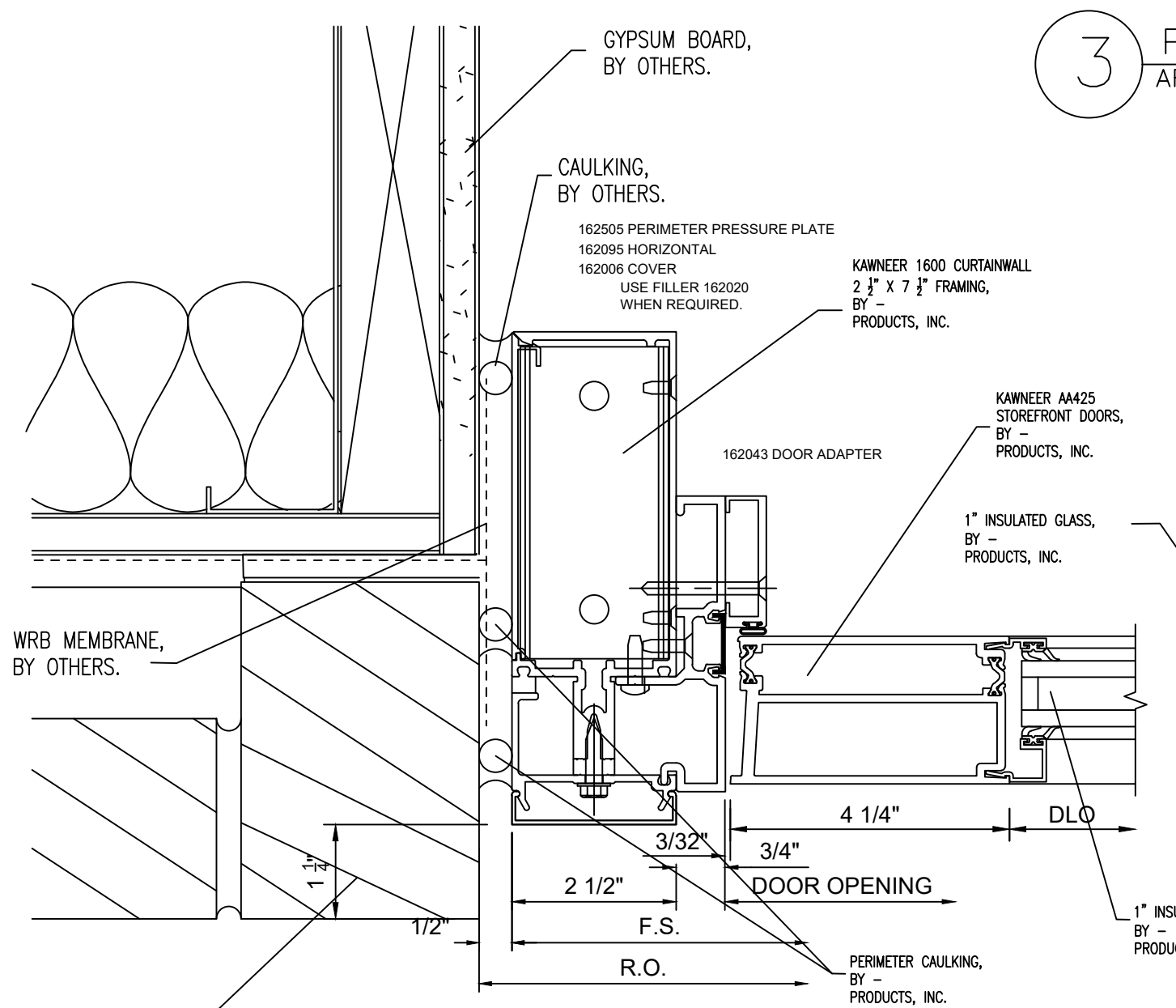
7 PLAN VIEW
 ARCH. REF.: 2/A340



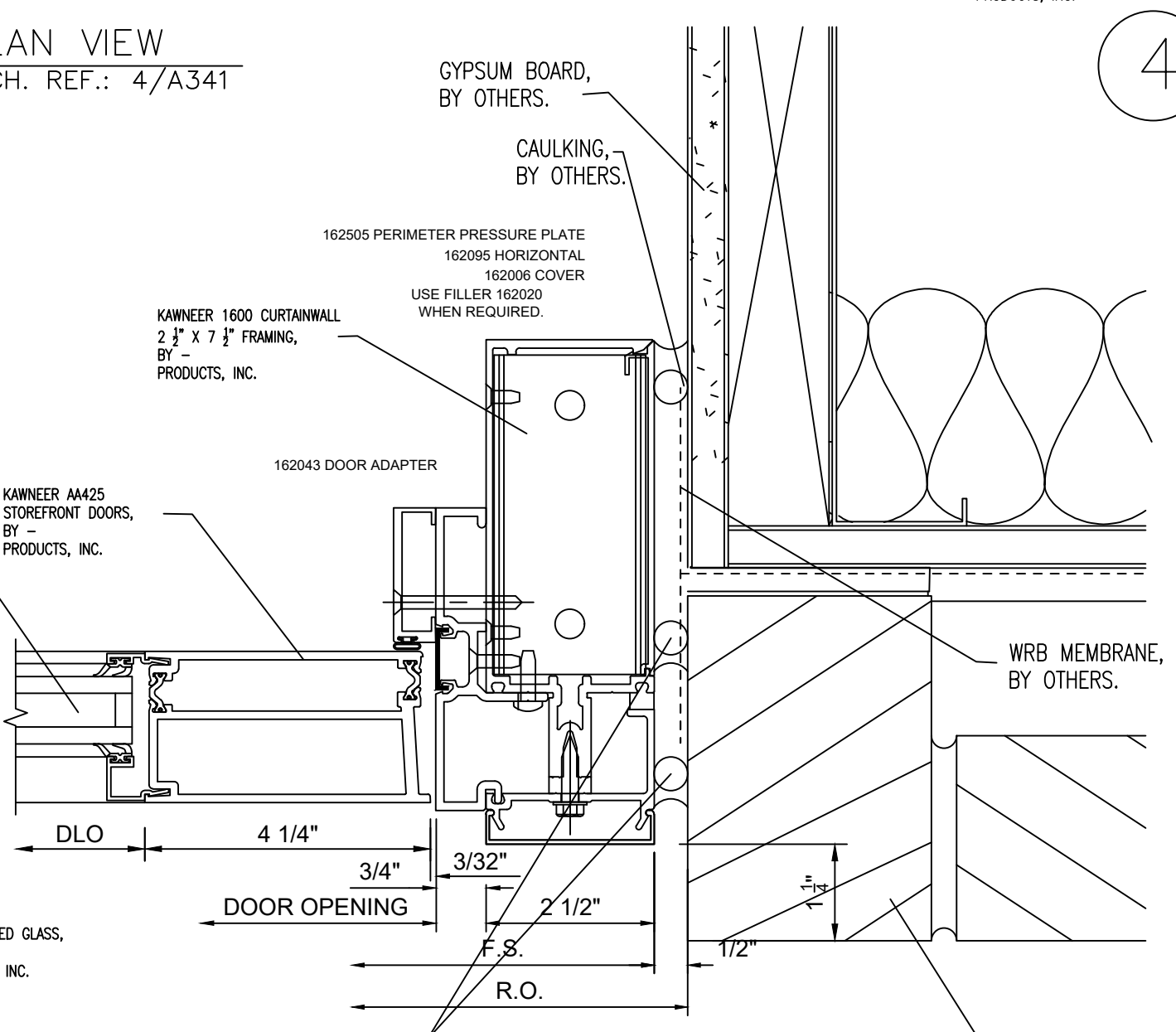
3 PLAN VIEW
 ARCH. REF.: 4/A341



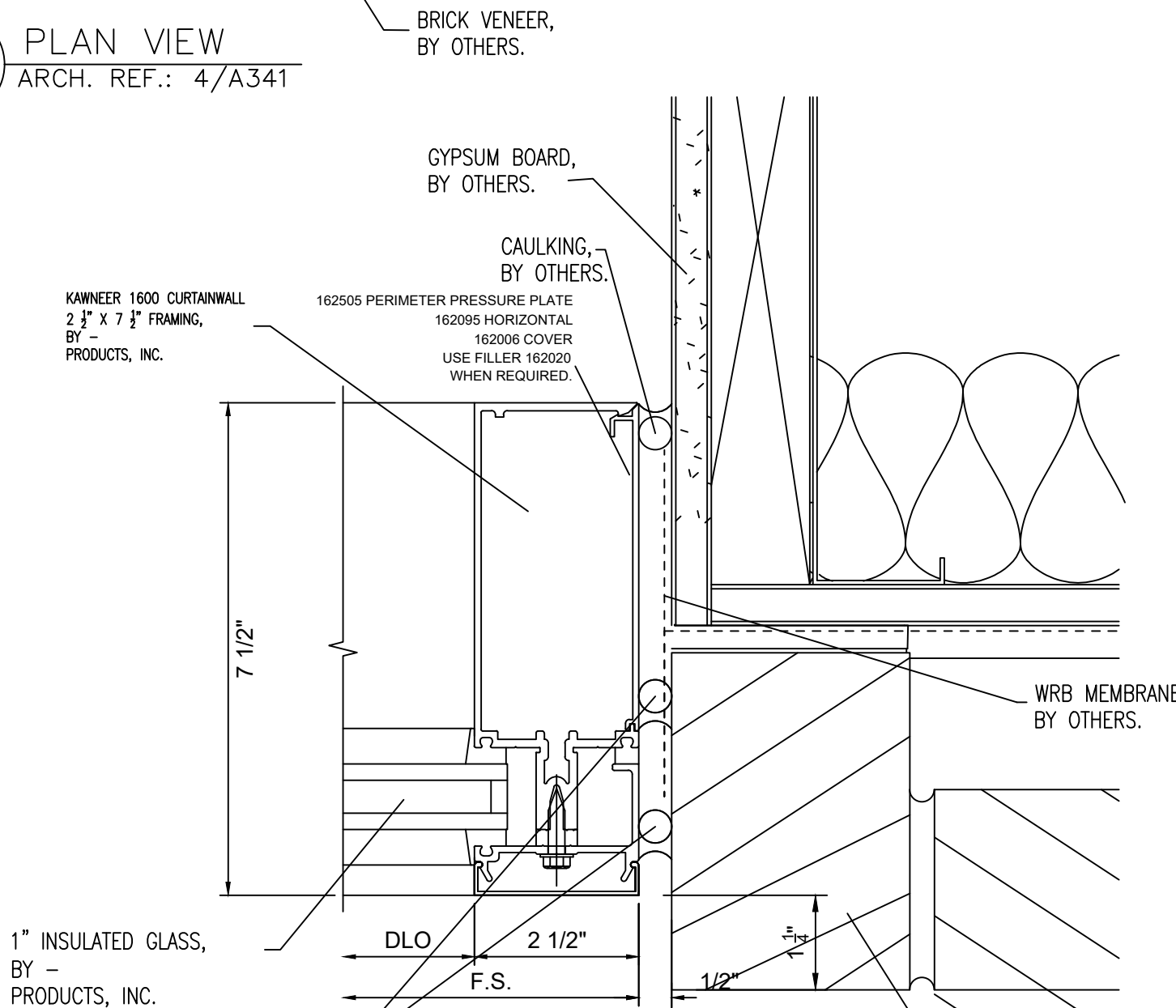
4 PLAN VIEW
 ARCH. REF.: 4/A341



5 PLAN VIEW
 ARCH. REF.: 2/A340



6 PLAN VIEW
 ARCH. REF.: 2/A340



8 PLAN VIEW
 ARCH. REF.: 2/A340

NO.	REVISION/ISSUED	DATE
1	1ST SUBMITTAL	01/25/2017

PROJECT NAME & LOCATION:
MOUNT HOLYOKE COLLEGE
50 COLLEGE STREET
SOUTH HADLEY, MA 01075

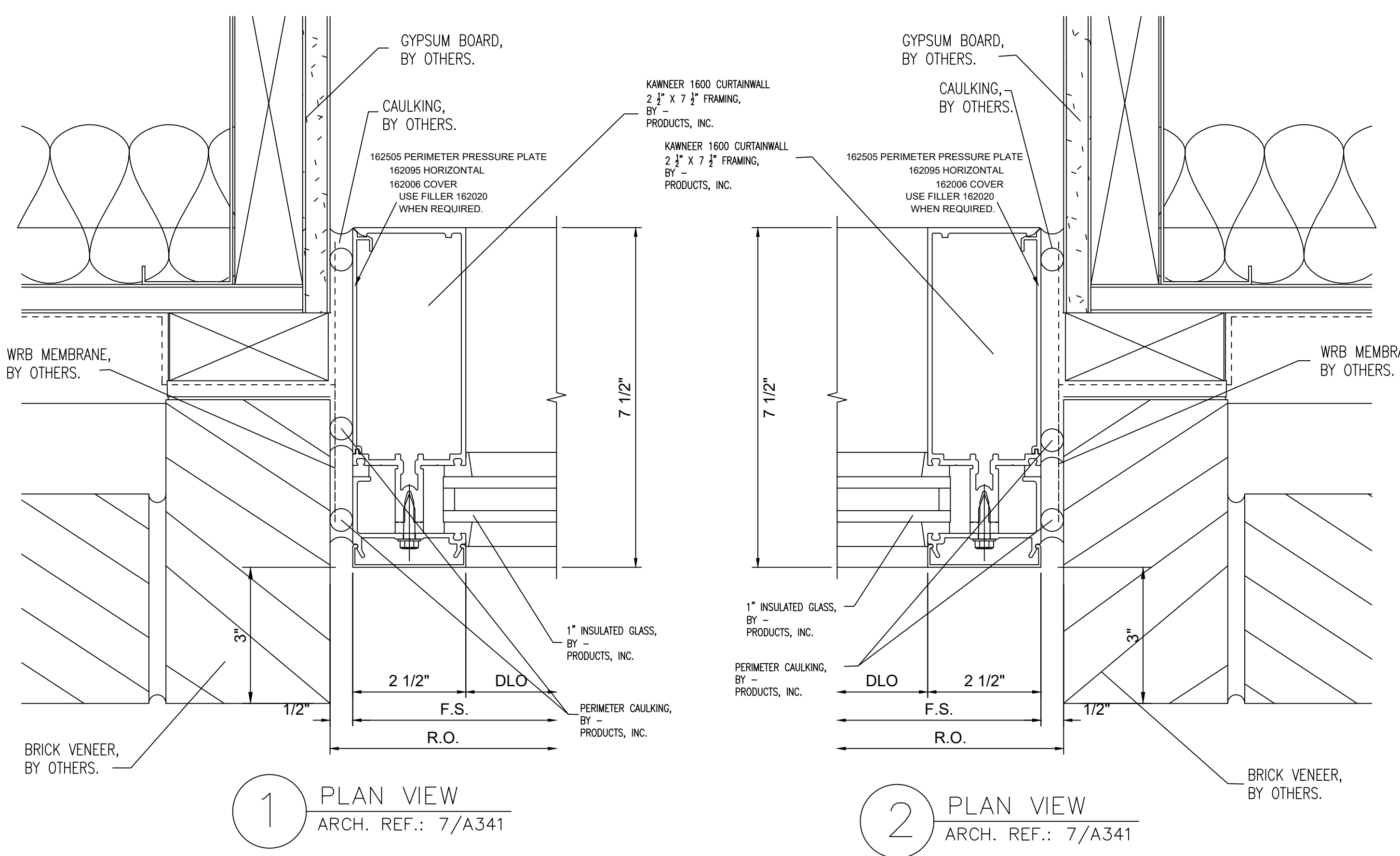
SHEET TITLE:
DETAILS

DRAFTSMAN:
 KS DRAFTING & DESIGN, LLC.
 KYLE SCHNECK
 HARRISBURG, PA 17110
 KYLE@KSDRAFTINGDESIGNLLC.COM
 717-228-7114
 KSDRAFTINGDESIGNLLC.COM

ARCHITECT:
 BERGMEYER

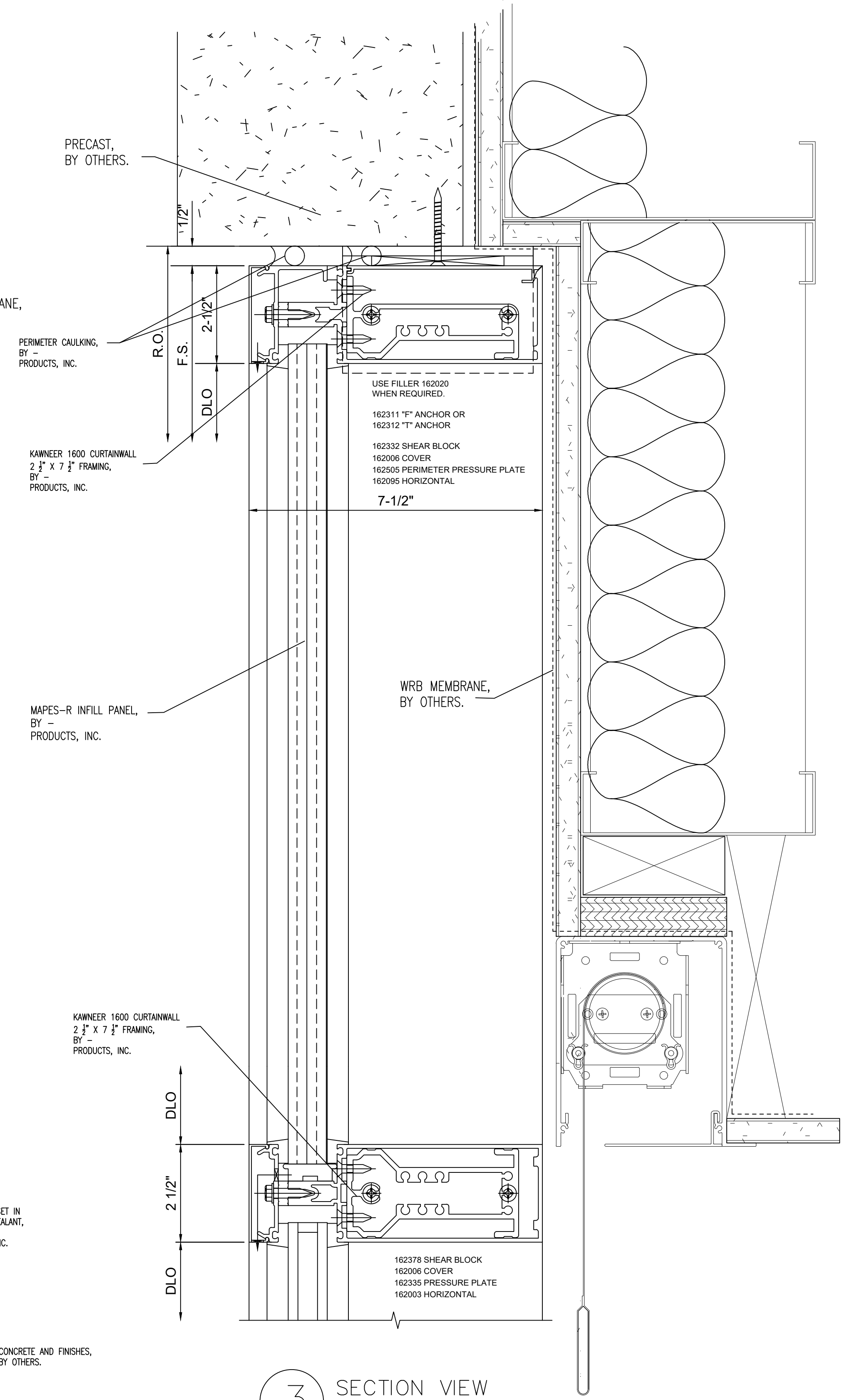
DRAWN BY: KYLE SCHNECK
 CHECKED BY: KYLE SCHNECK

DATE: 01/25/2017
 SHEET: 404

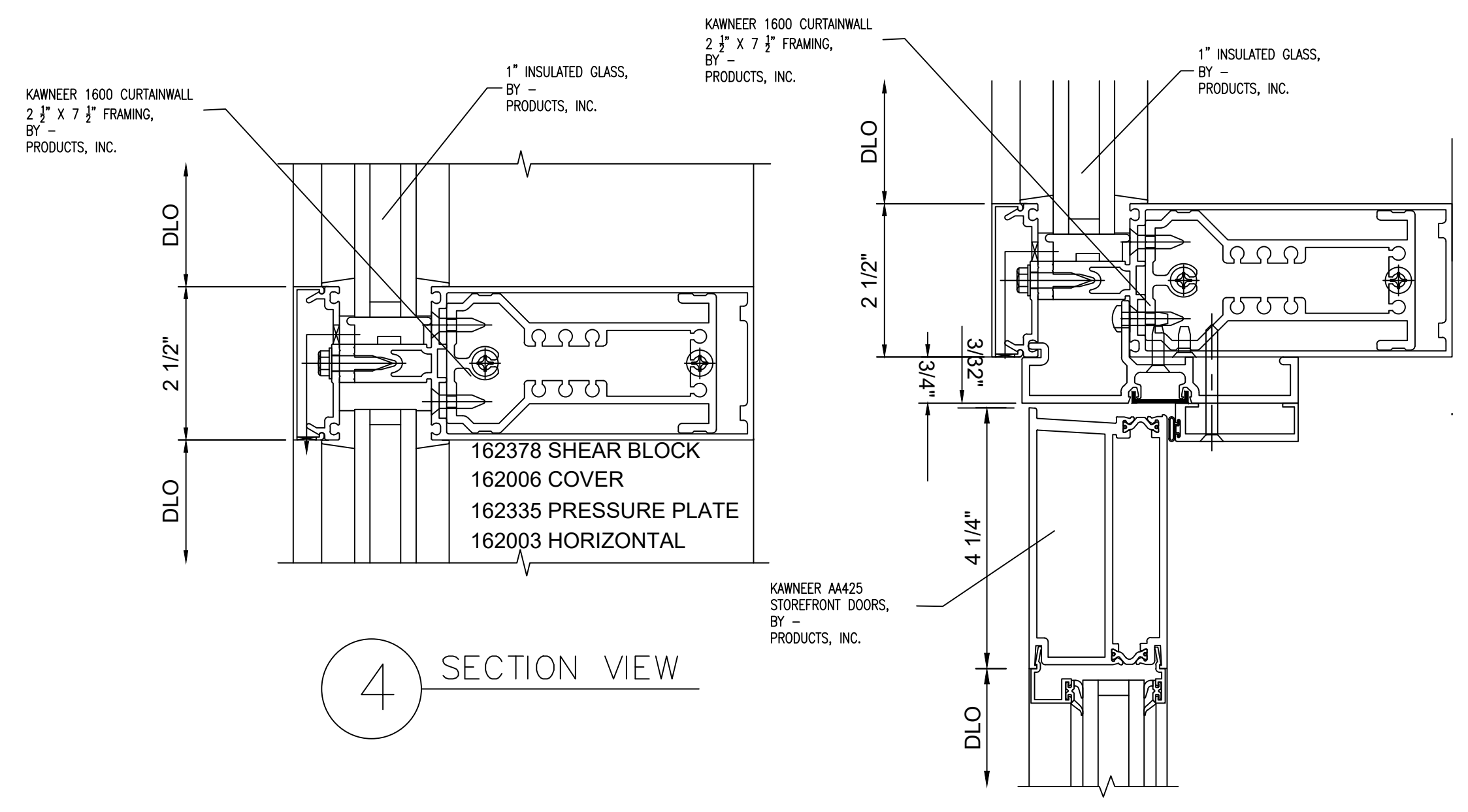


1 PLAN VIEW
 ARCH. REF.: 7/A341

2 PLAN VIEW
 ARCH. REF.: 7/A341

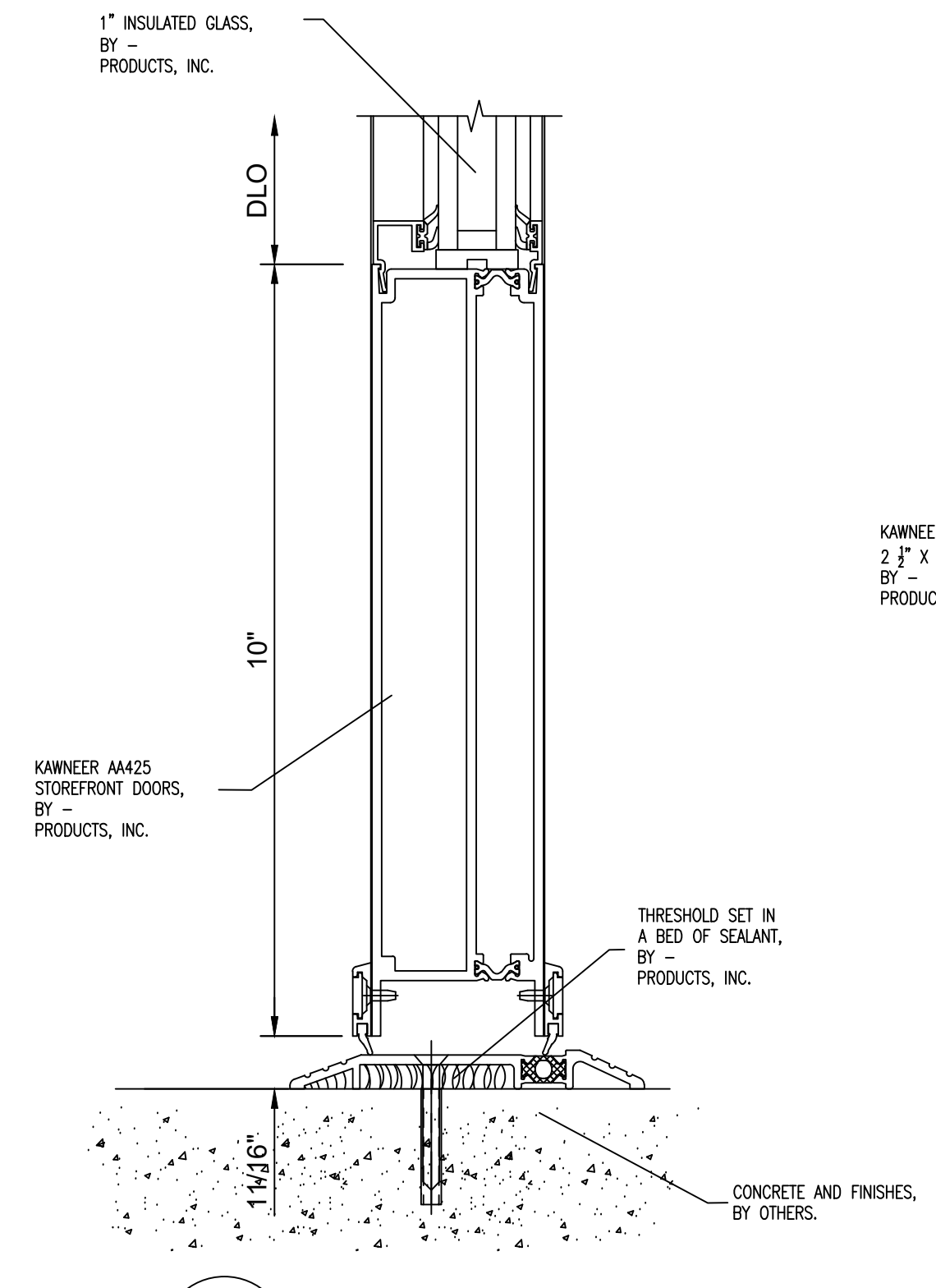


3 SECTION VIEW
 ARCH. REF.: 2/A331



4 SECTION VIEW

5 SECTION VIEW



6 SECTION VIEW

NO.	REVISION/ISSUED	DATE
1	1ST SUBMITTAL	01/25/2017

PROJECT NAME & LOCATION:
MOUNT HOLYOKE COLLEGE
50 COLLEGE STREET
SOUTH HADLEY, MA 01075

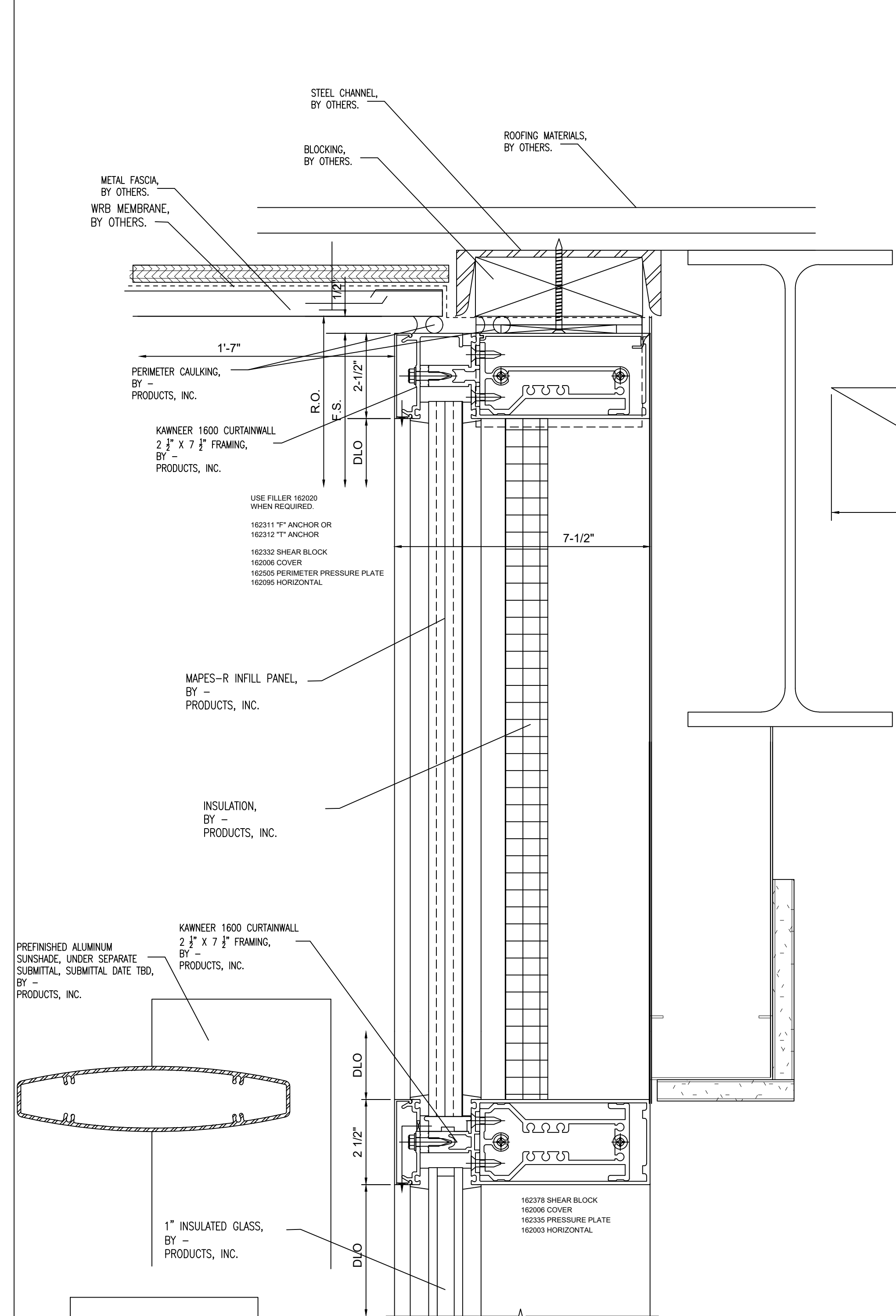
SHEET TITLE:
DETAILS

DRAFTSMAN:
 KS DRAFTING & DESIGN, LLC.
 KYLE SCHNECK
 HARRISBURG, PA 17110
 KYLE@KSDRAFTINGDESIGNLLC.COM
 717-228-7114
 KSDRAFTINGDESIGNLLC.COM

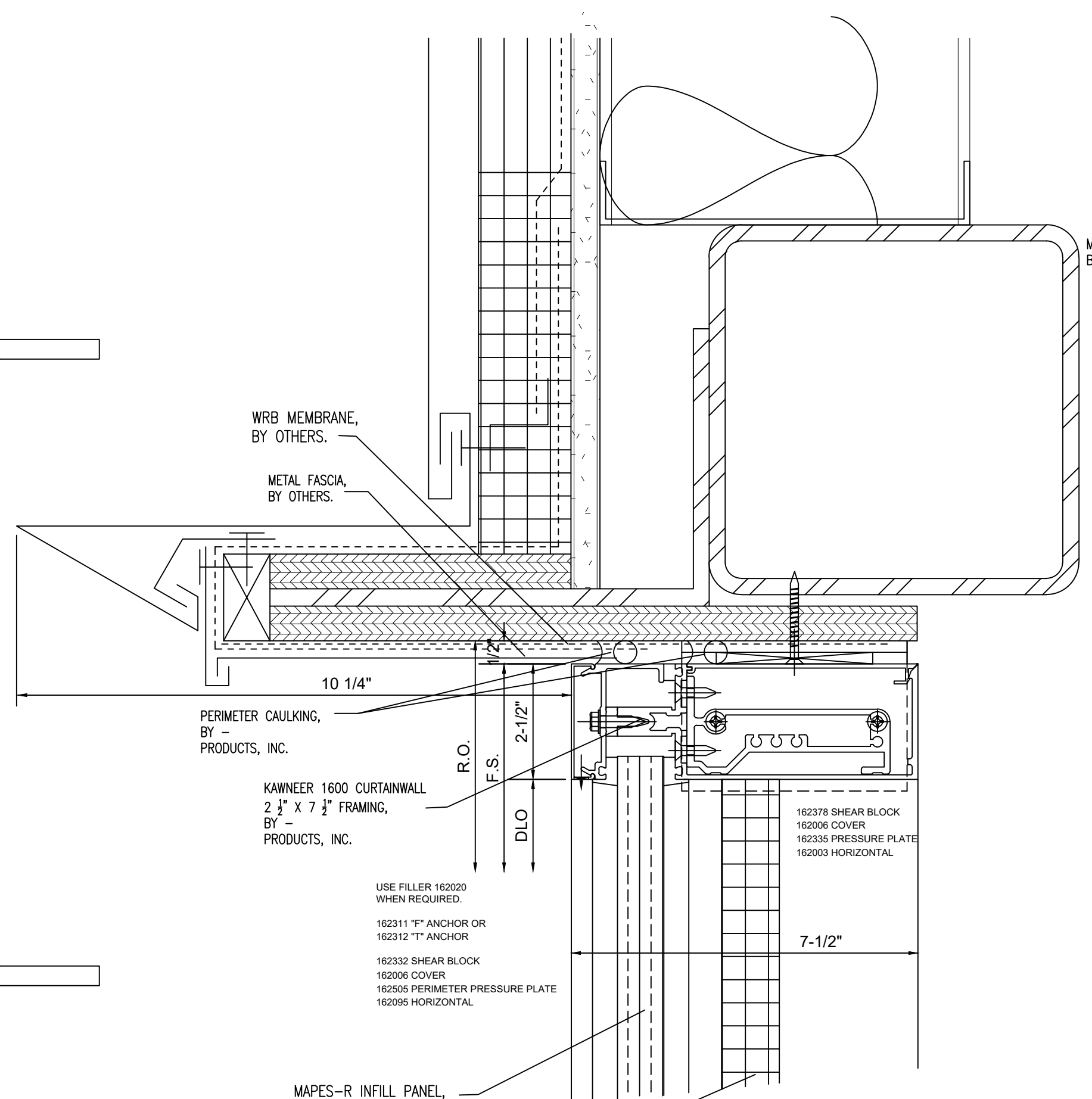
ARCHITECT:
 BERGMEYER

DRAWN BY: KYLE SCHNECK
 CHECKED BY: KYLE SCHNECK

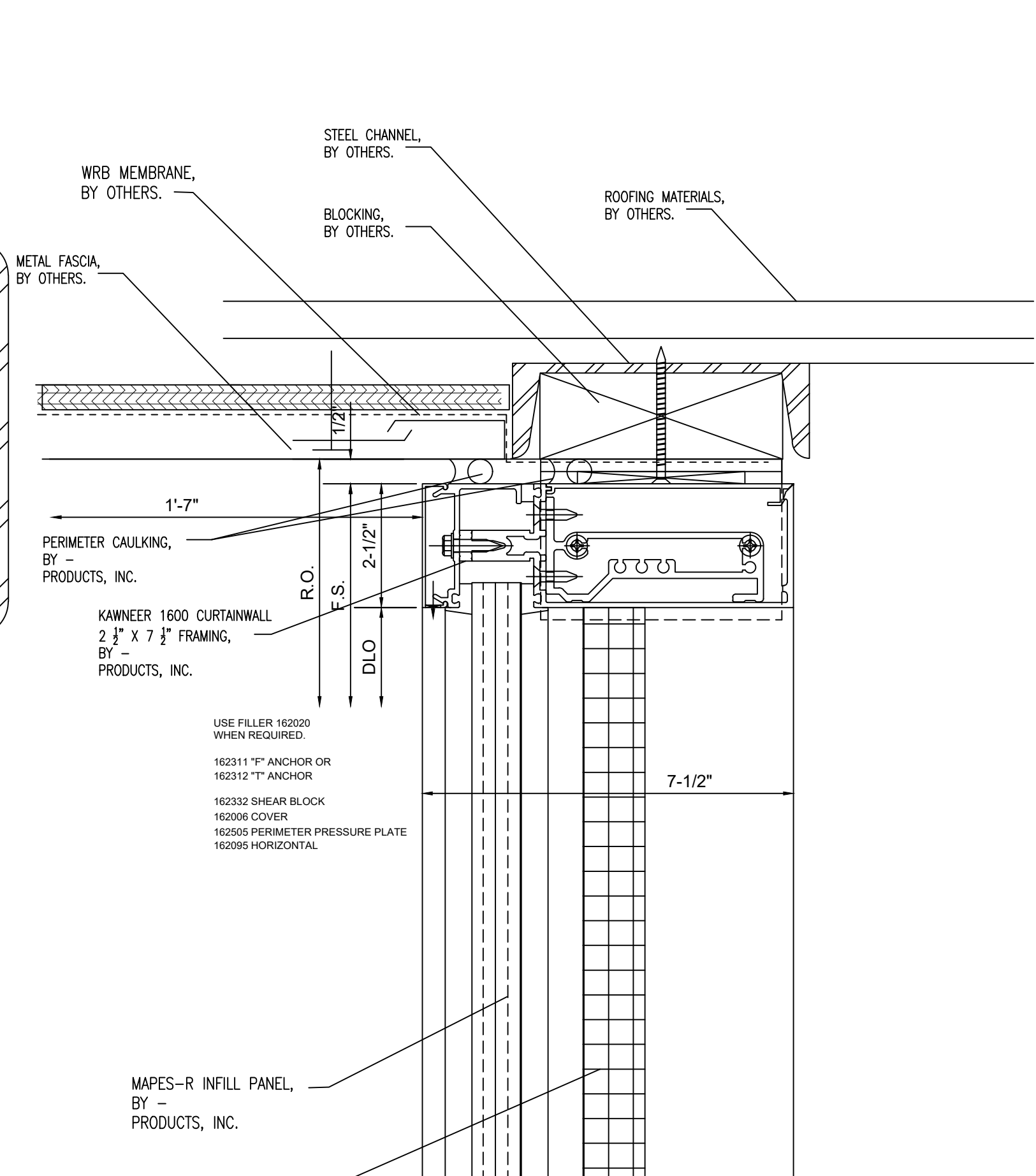
DATE: 01/25/2017
 SHEET: 405



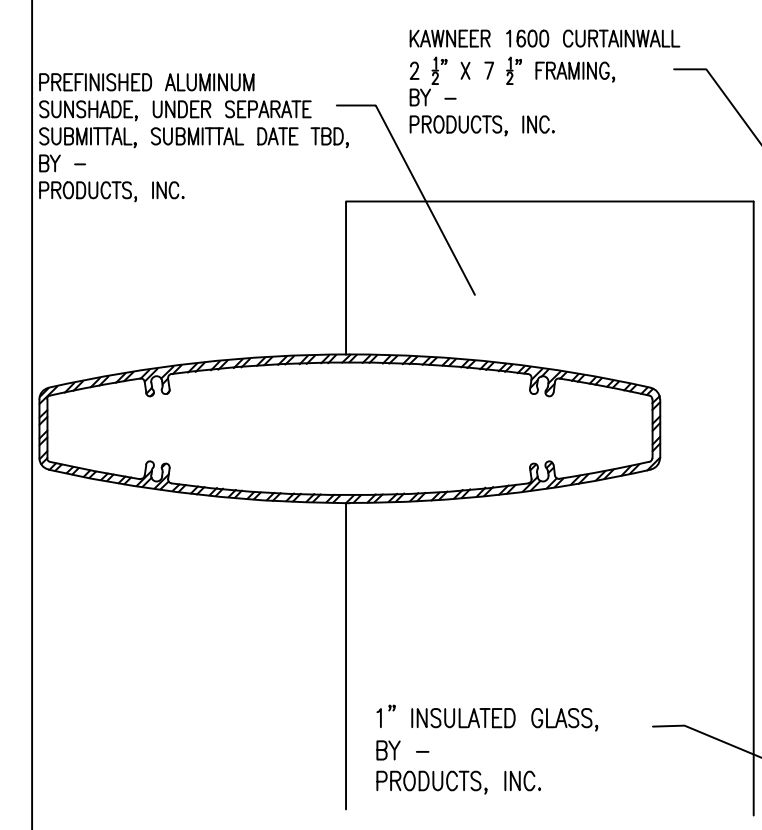
1 SECTION VIEW
 ARCH. REF.: 1/A331



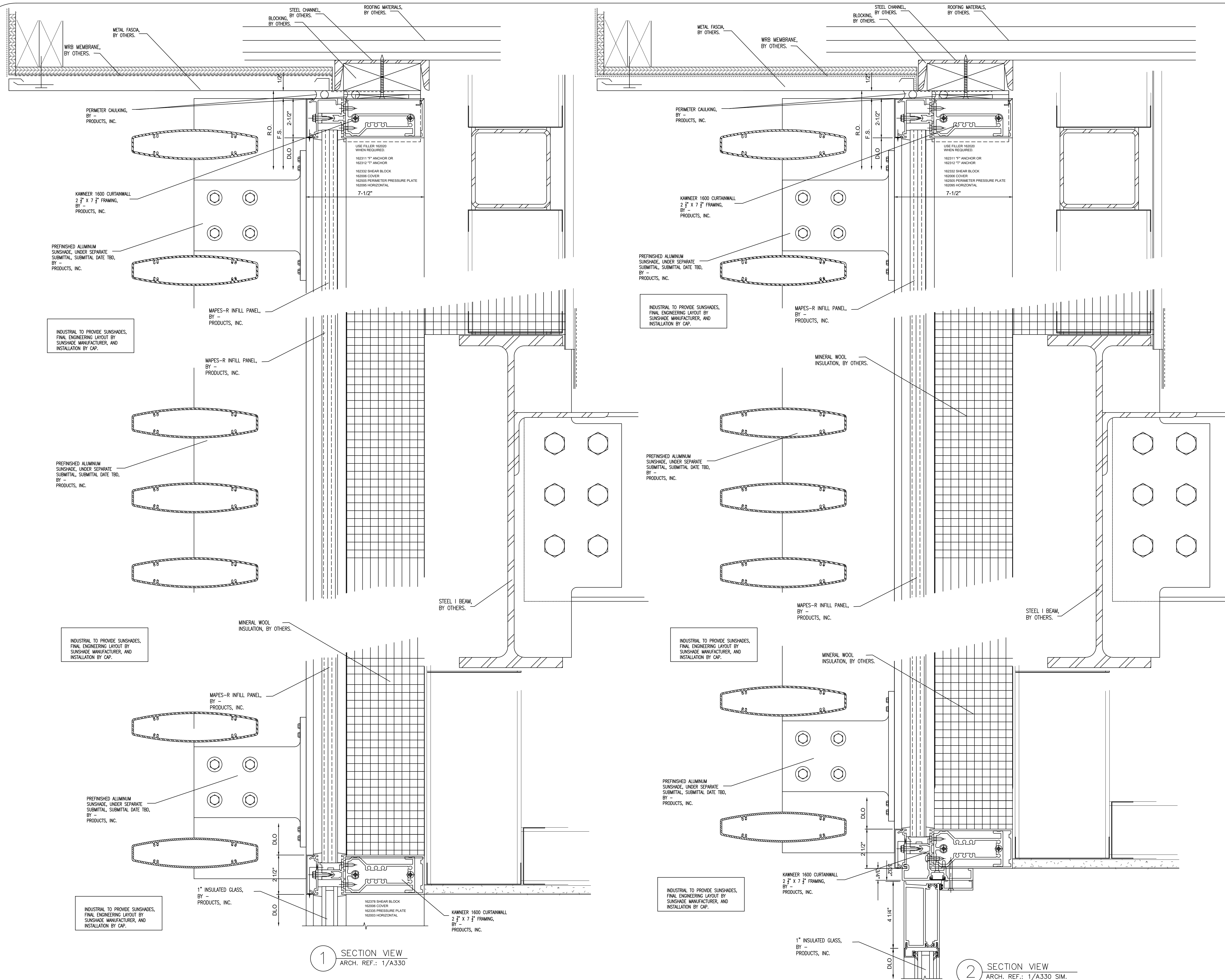
2 SECTION VIEW
 ARCH. REF.: 3/A331



3 SECTION VIEW
 ARCH. REF.: 5/A330



INDUSTRIAL TO PROVIDE SUNSHADES,
 FINAL ENGINEERING LAYOUT BY
 SUNSHADE MANUFACTURER, AND
 INSTALLATION BY CIP.



1 SECTION VIEW
 ARCH. REF.: 1/A330

2 SECTION VIEW
 ARCH. REF.: 1/A330 SIM.

NO.	REVISION/ISSUED	DATE
1	1ST SUBMITTAL	01/25/2017

PROJECT NAME & LOCATION:
 MOUNT HOLYOKE COLLEGE
 50 COLLEGE STREET
 SOUTH HADLEY, MA 01075

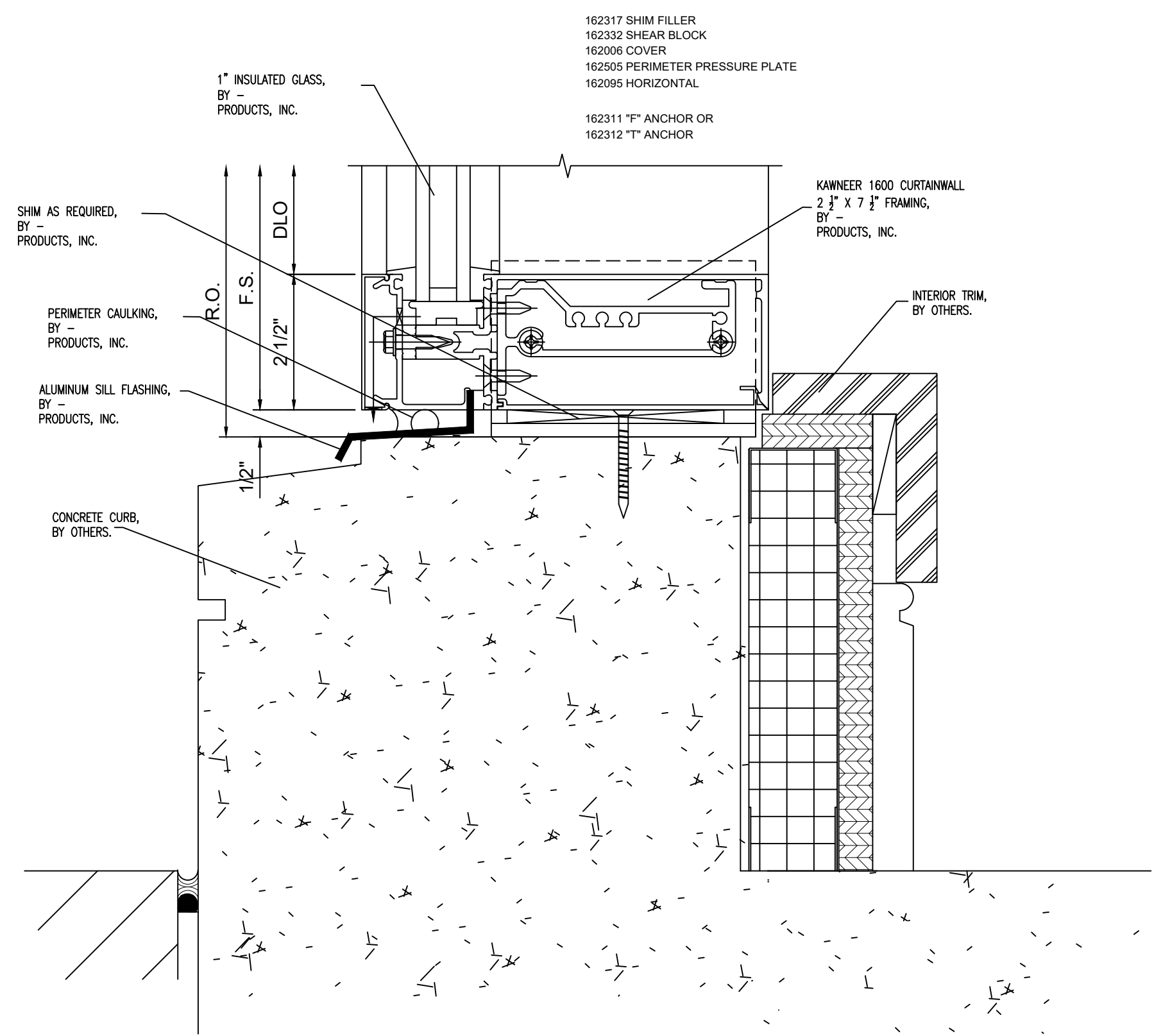
SHEET TITLE:
 DETAILS

DRAFTSMAN:
 KS DRAFTING & DESIGN, LLC.
 KYLE SCHNECK
 HARRISBURG, PA 17110
 KYLE@KSDRAFTINGDESIGNLLC.COM
 717-228-7114
 KSDRAFTINGDESIGNLLC.COM

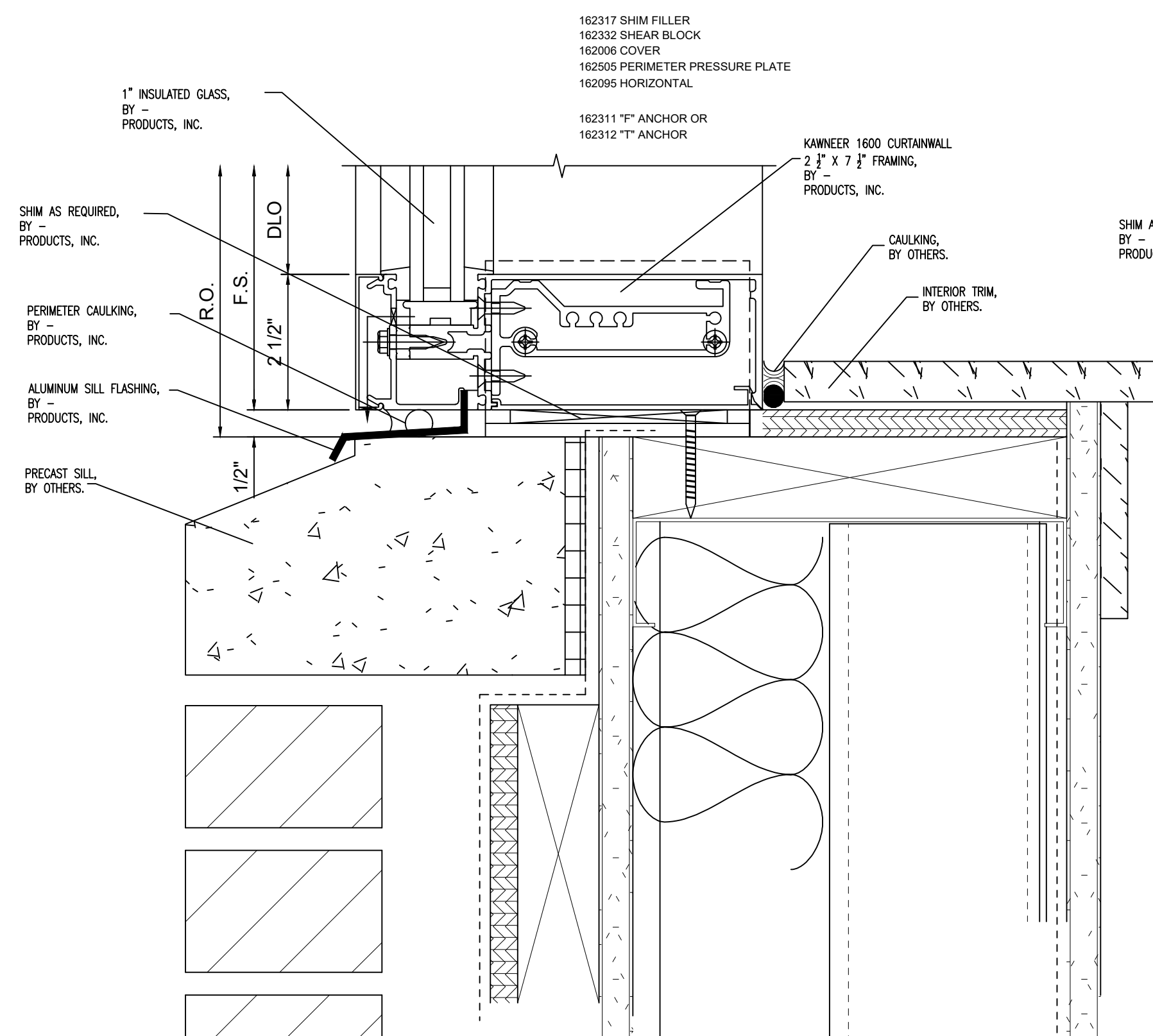
ARCHITECT:
 BERGMEYER

DRAWN BY: KYLE SCHNECK
 CHECKED BY: KYLE SCHNECK

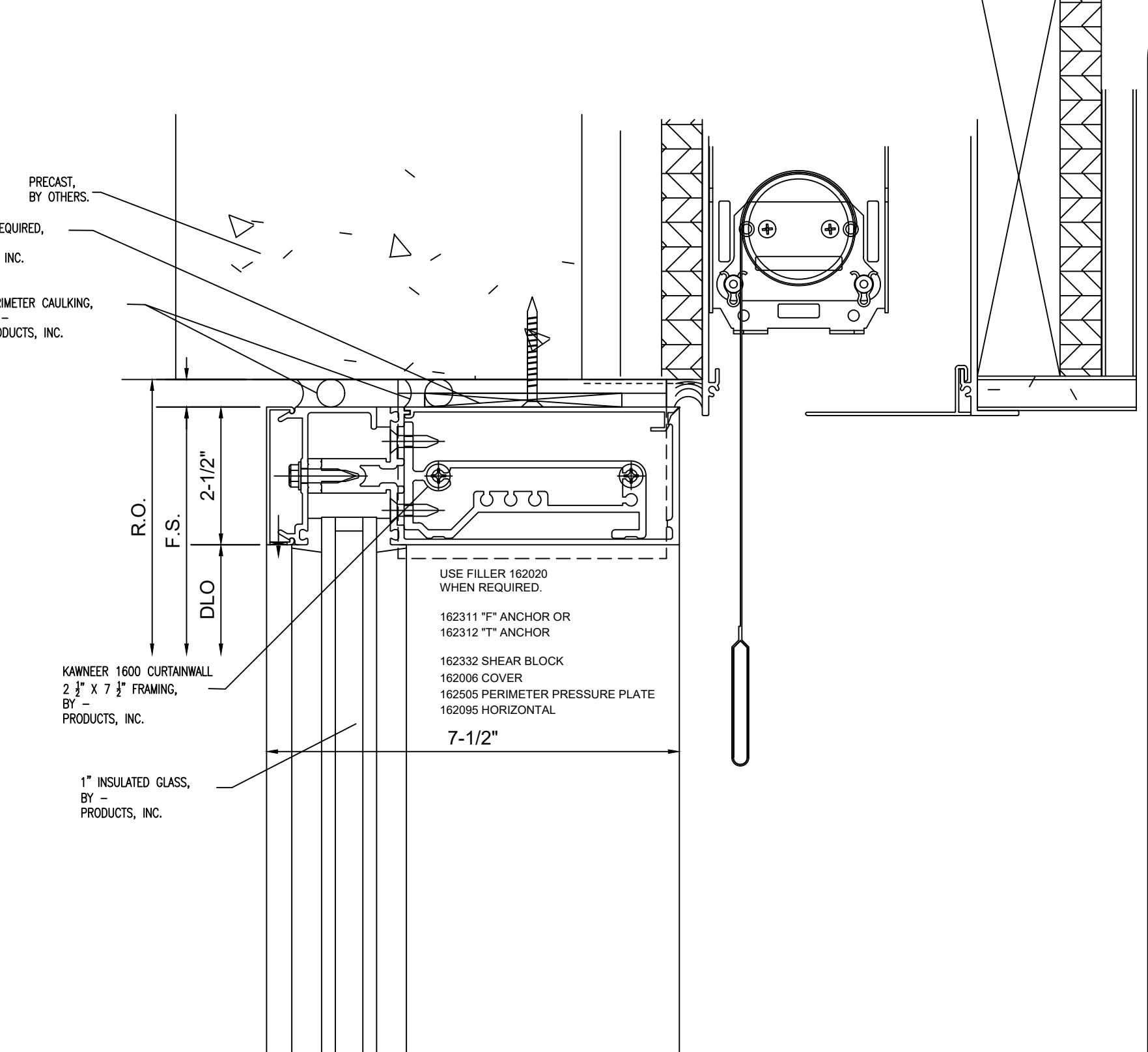
DATE: 01/25/2017
 SHEET: 406



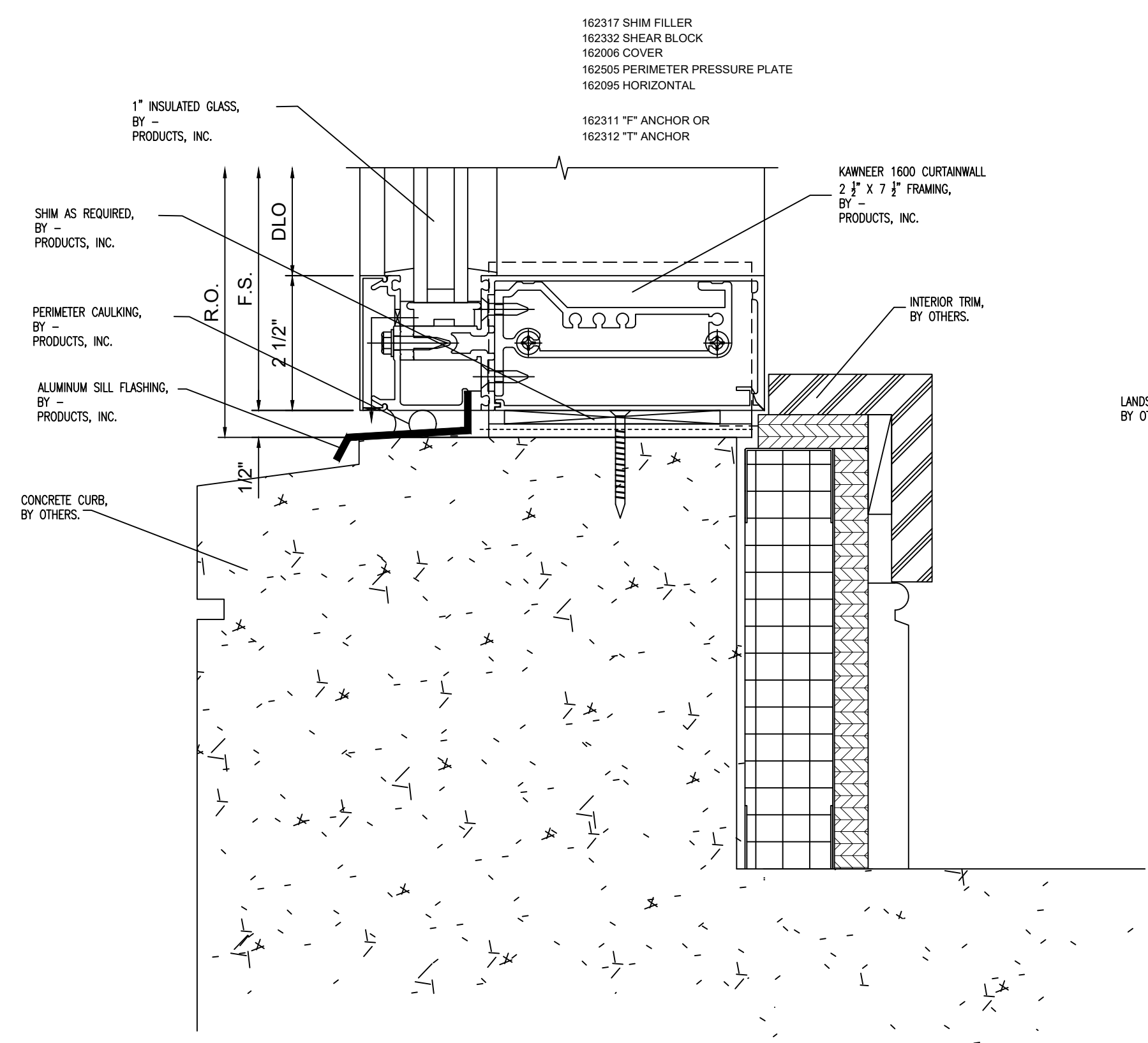
1 SECTION VIEW
ARCH. REF.: 6/A320



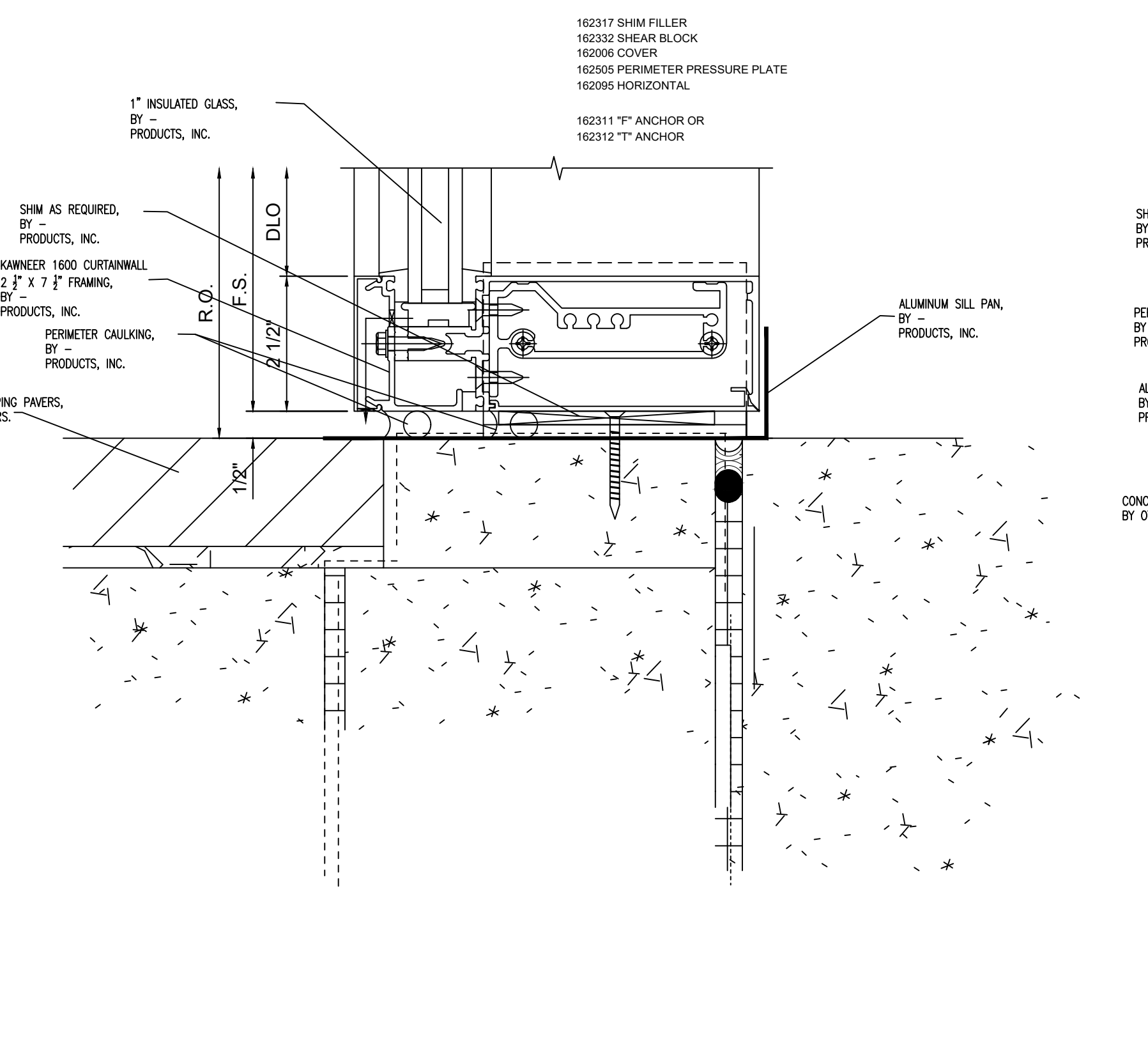
3 SECTION VIEW
ARCH. REF.: 3/A320



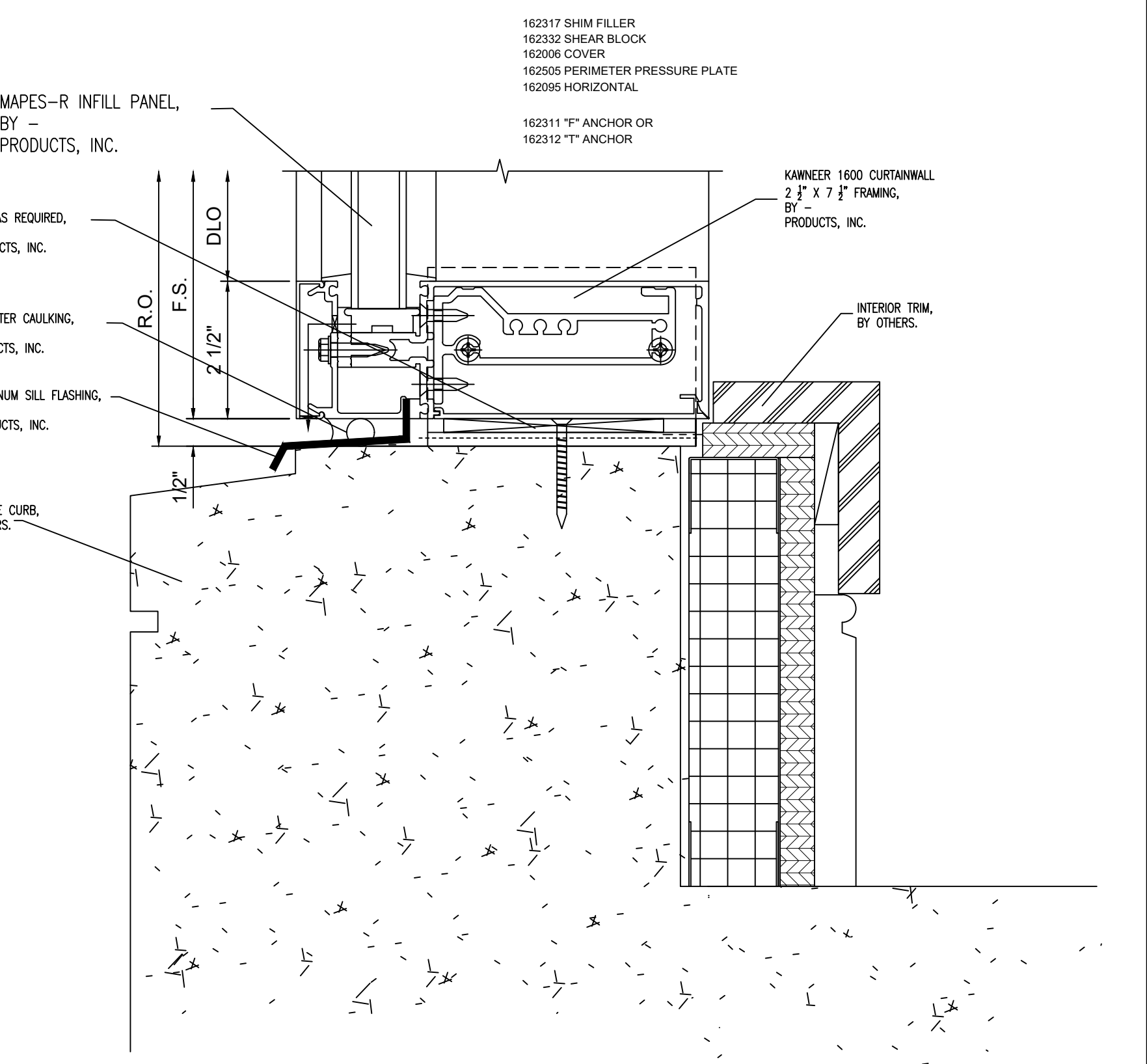
5 SECTION VIEW
ARCH. REF.: 2/A313



2 SECTION VIEW
ARCH. REF.: 4/A320



4 SECTION VIEW
ARCH. REF.: 5/A320



2A SECTION VIEW
ARCH. REF.: 4/A320

NO.	REVISION/ISSUED	DATE
1	1ST SUBMITTAL	01/25/2017

PROJECT NAME & LOCATION:
MOUNT HOLYOKE COLLEGE
 50 COLLEGE STREET
 SOUTH HADLEY, MA 01075

SHEET TITLE:
DETAILS

DRAFTSMAN:
 KS DRAFTING & DESIGN, LLC.
 KYLE SCHNECK
 HARRISBURG, PA 17110
 KYLE@KSDRAFTINGDESIGNLLC.COM
 717-228-7114
 KSDRAFTINGDESIGNLLC.COM

ARCHITECT:
 BERGMEYER

DRAWN BY: KYLE SCHNECK
 CHECKED BY: KYLE SCHNECK

DATE: 01/25/2017
 SHEET: 407

NO.	REVISION/ISSUED	DATE
1	1ST SUBMITTAL	01/25/2017

PROJECT NAME & LOCATION:
MOUNT HOLYOKE COLLEGE
50 COLLEGE STREET
SOUTH HADLEY, MA 01075

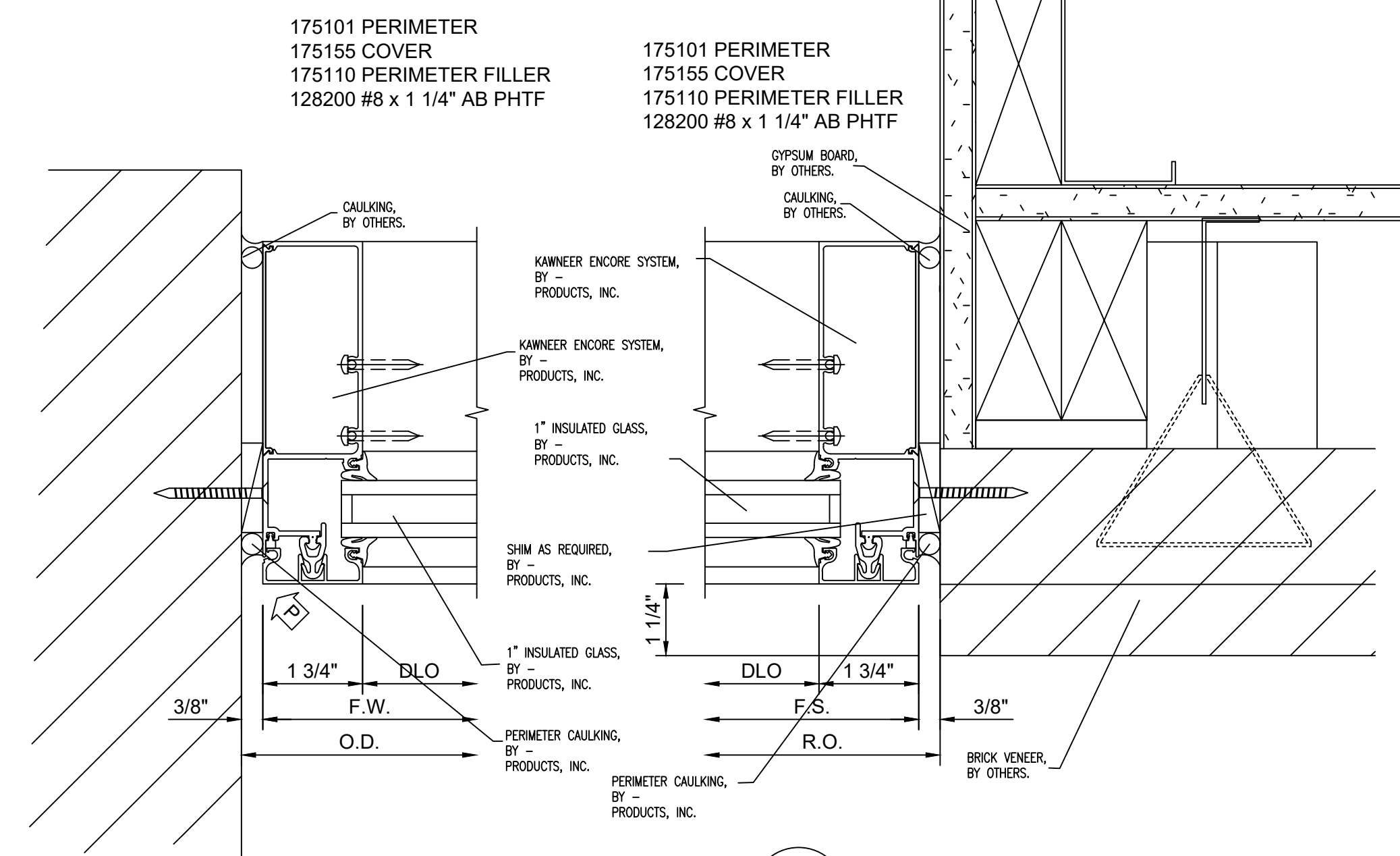
SHEET TITLE:
DETAILS

DRAFTSMAN:
 KS DRAFTING & DESIGN, LLC.
 KYLE SCHNECK
 HARRISBURG, PA 17110
 KYLE@KSDRAFTINGDESIGNLLC.COM
 717-228-7114
 KSDRAFTINGDESIGNLLC.COM

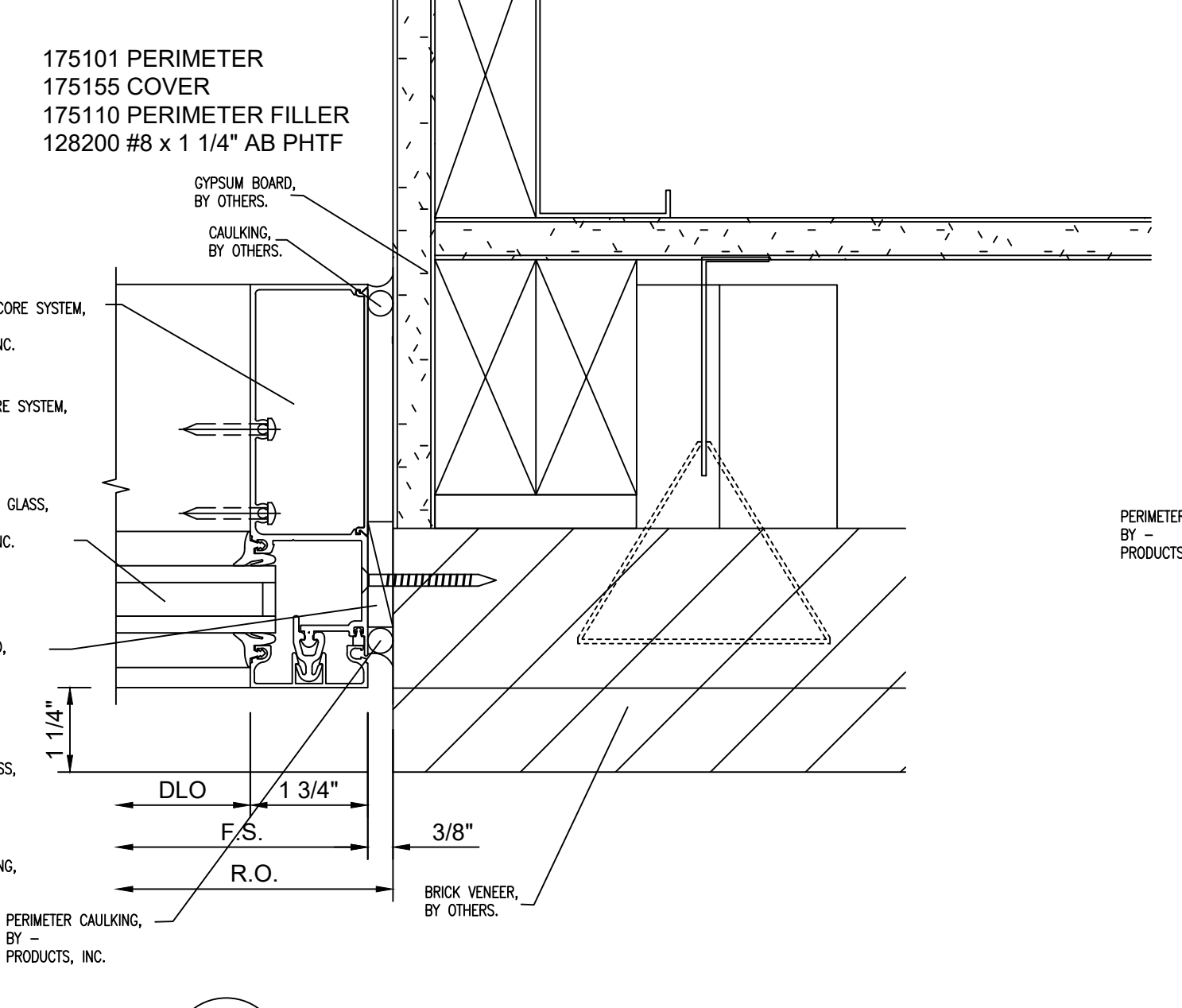
ARCHITECT:
 BERGMAYER

DRAWN BY: KYLE SCHNECK
 CHECKED BY: KYLE SCHNECK

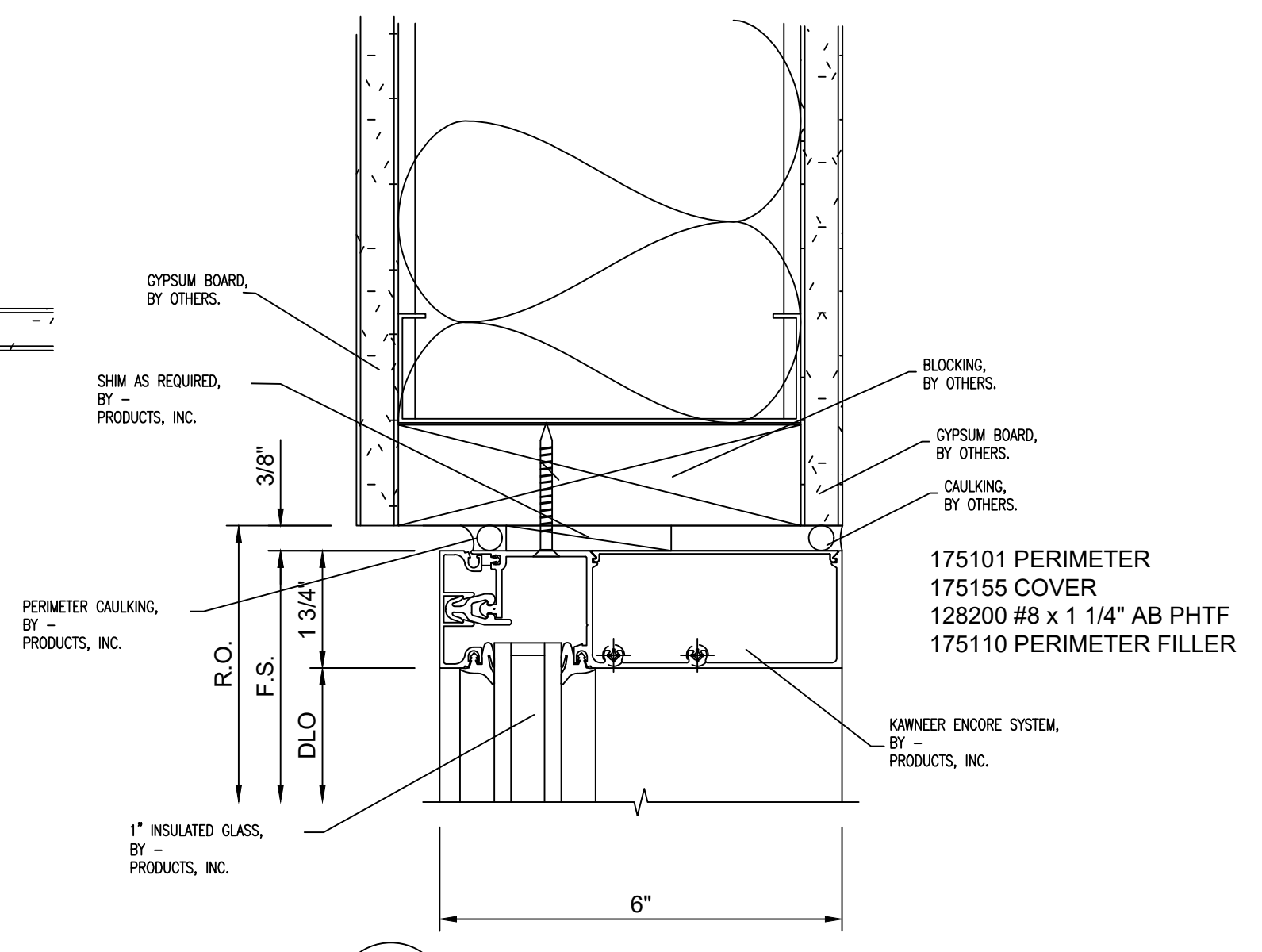
DATE: 01/25/2017
 SHEET: **408**



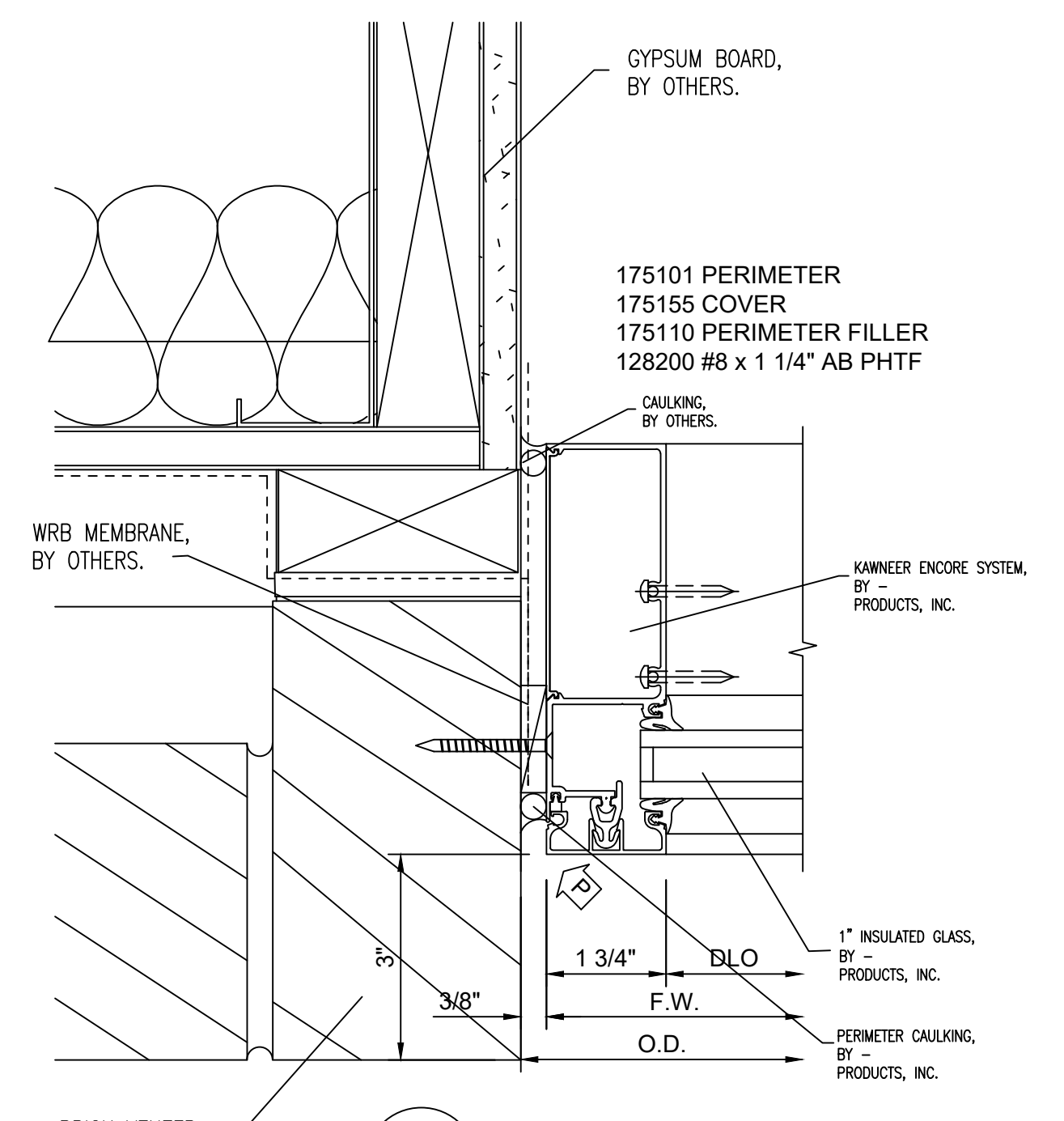
1 PLAN VIEW



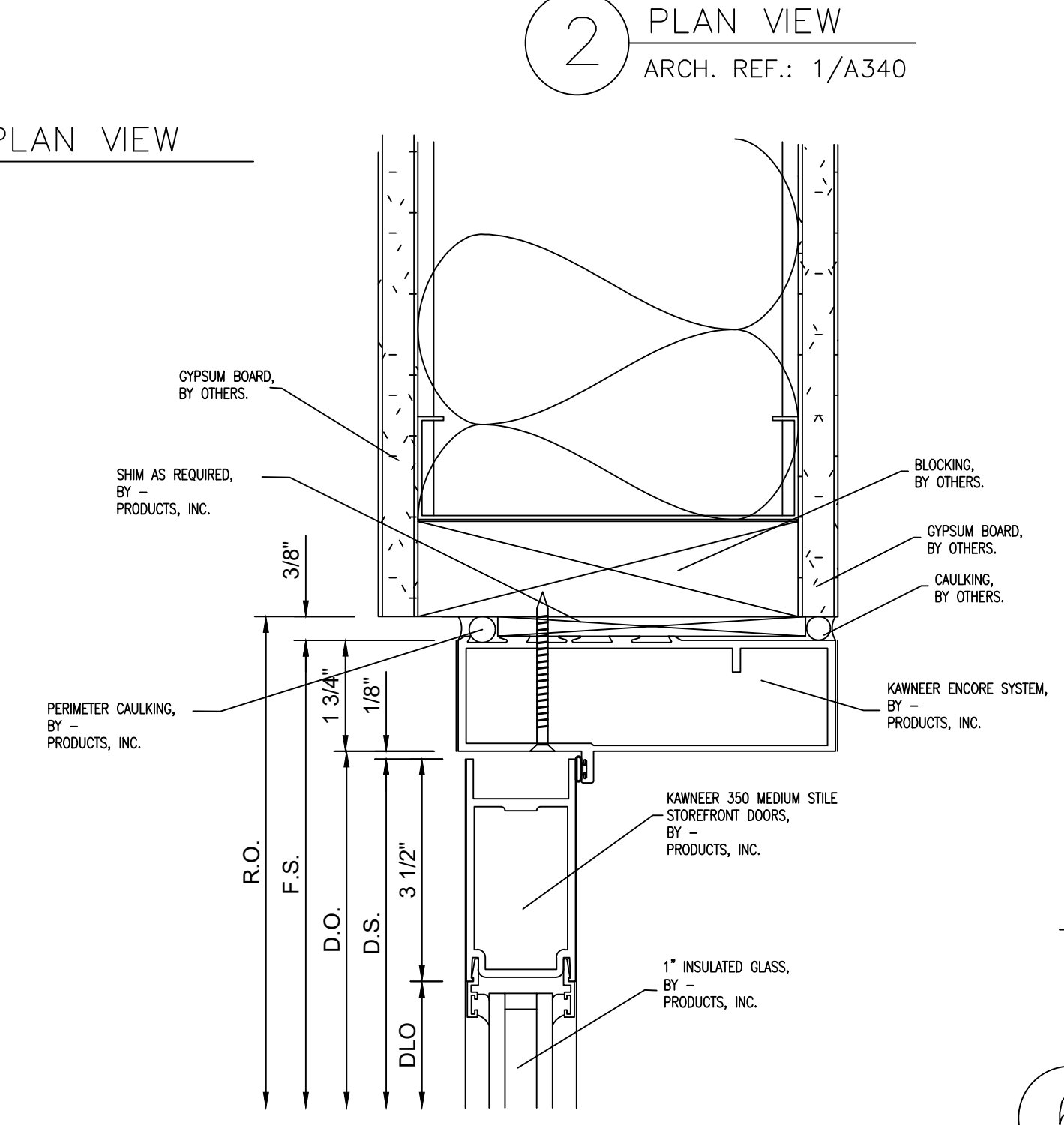
2 PLAN VIEW
 ARCH. REF.: 1/A340



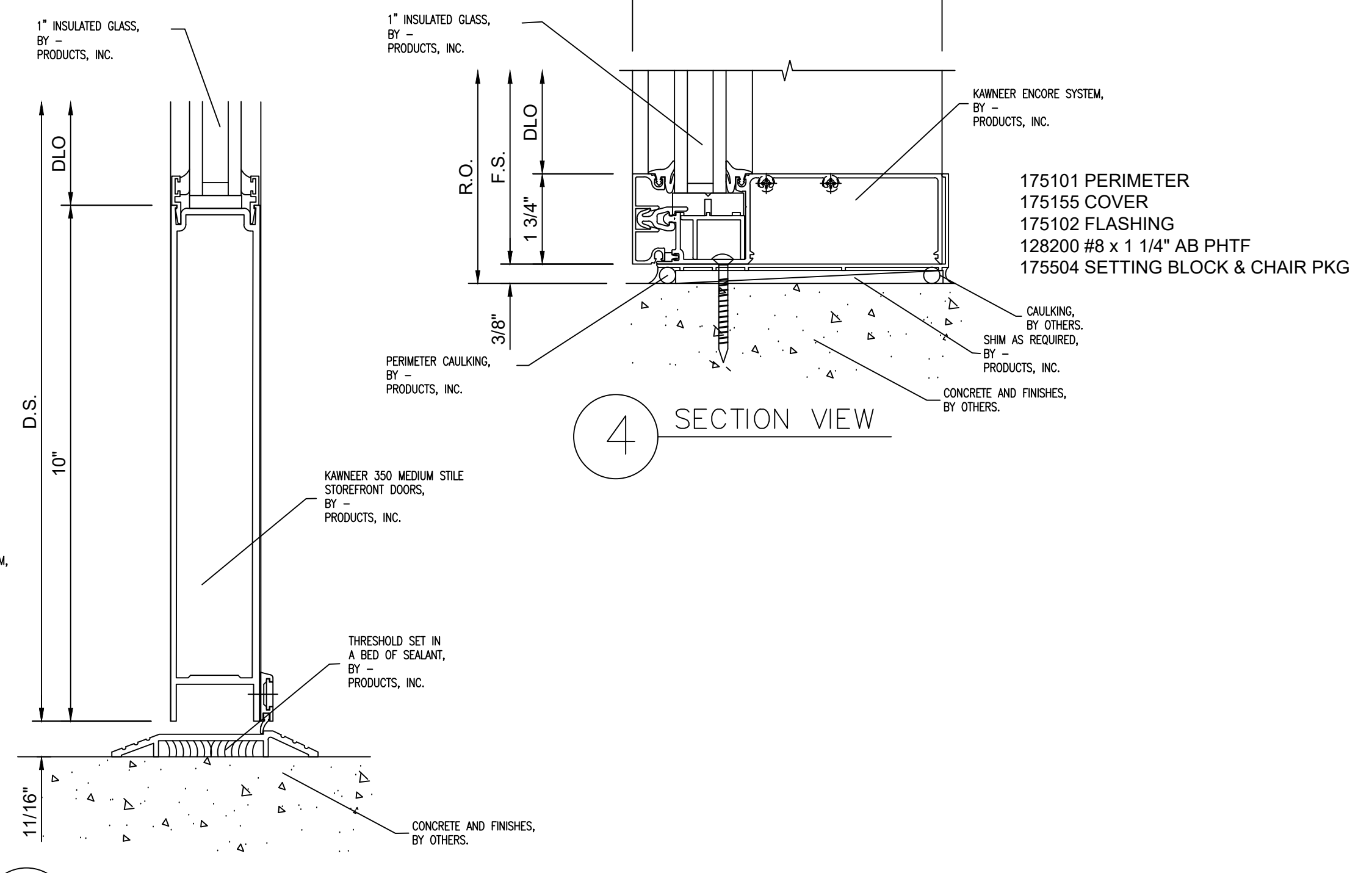
3 SECTION VIEW
 ARCH. REF.: 2/A332



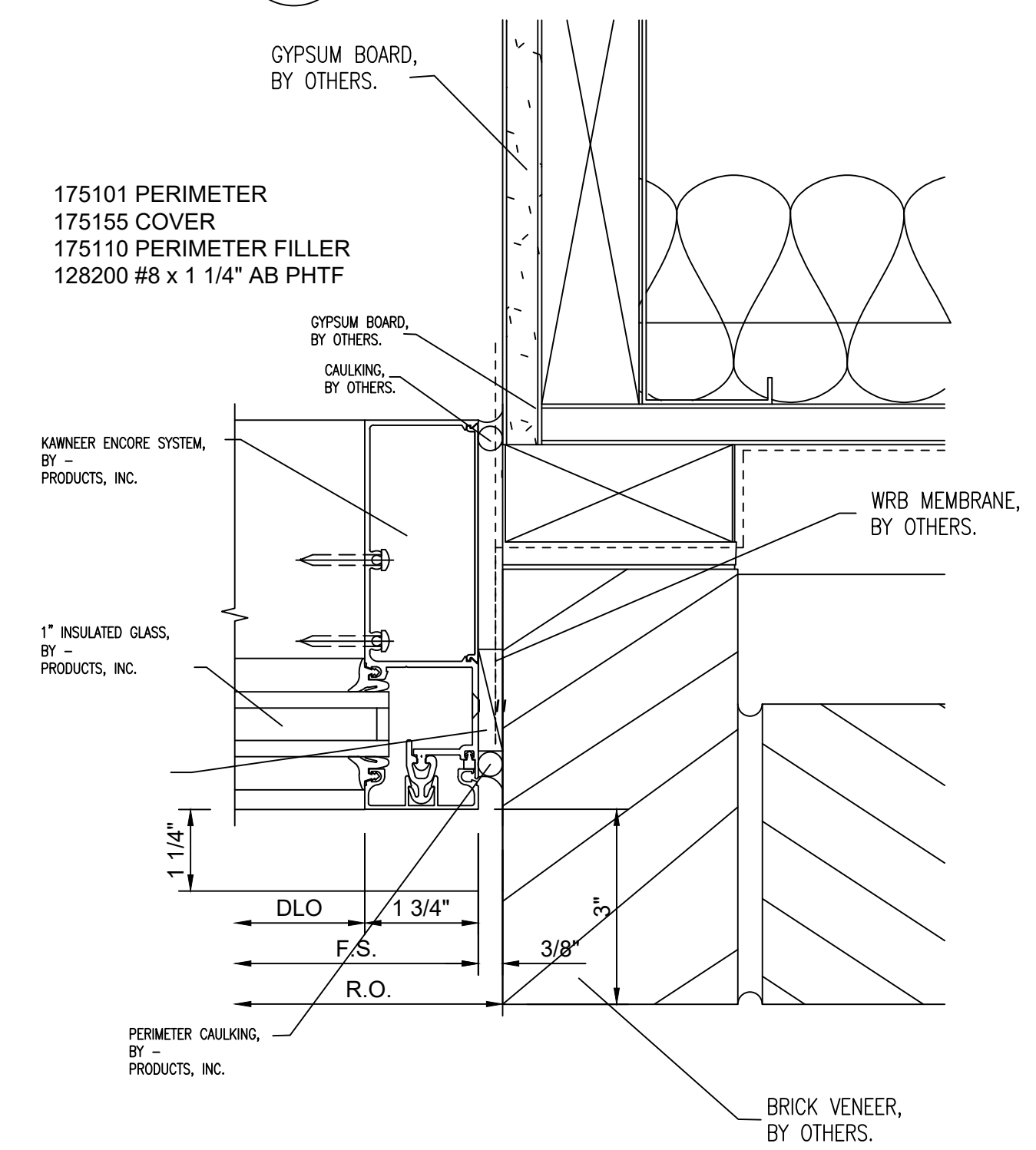
10 PLAN VIEW
 ARCH. REF.: 7/A341



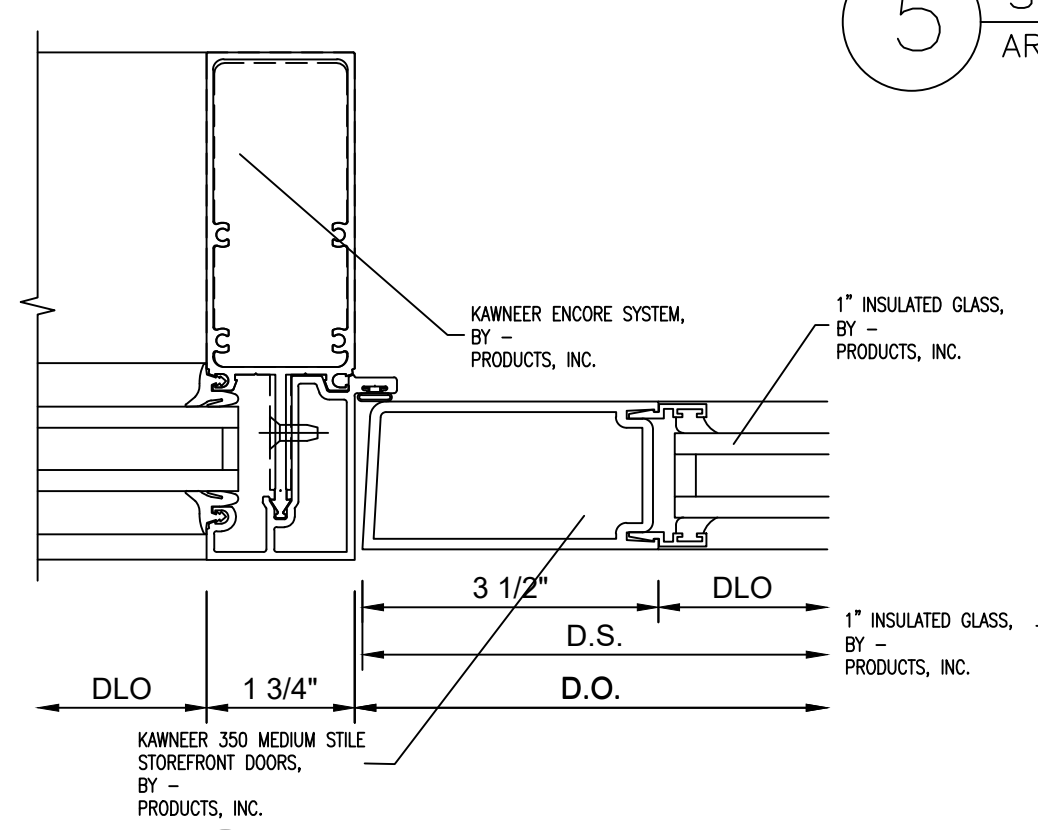
5 SECTION VIEW
 ARCH. REF.: 2/A332



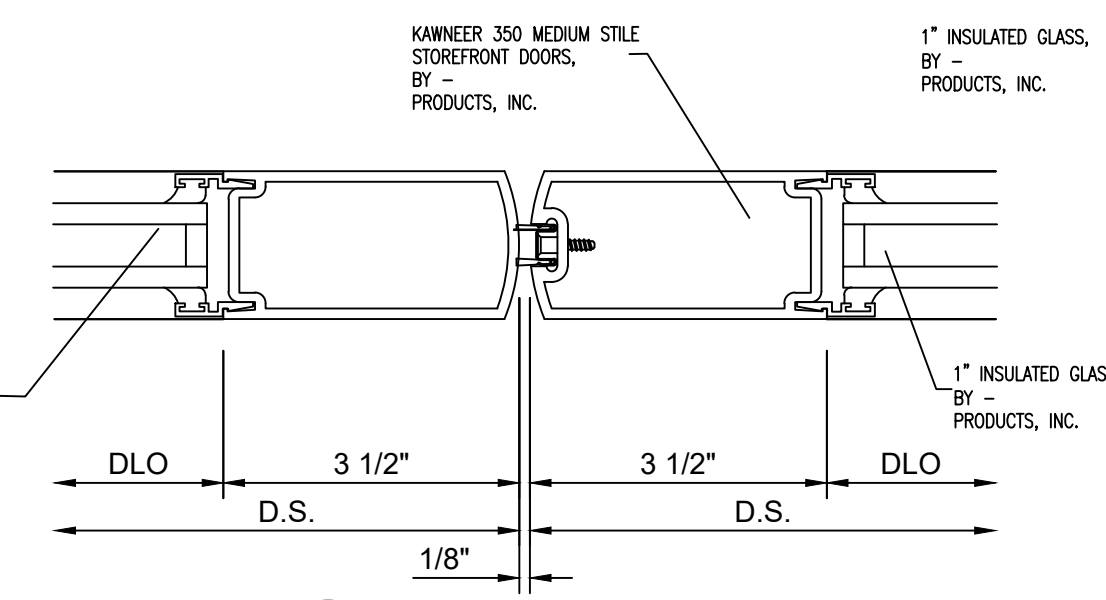
4 SECTION VIEW



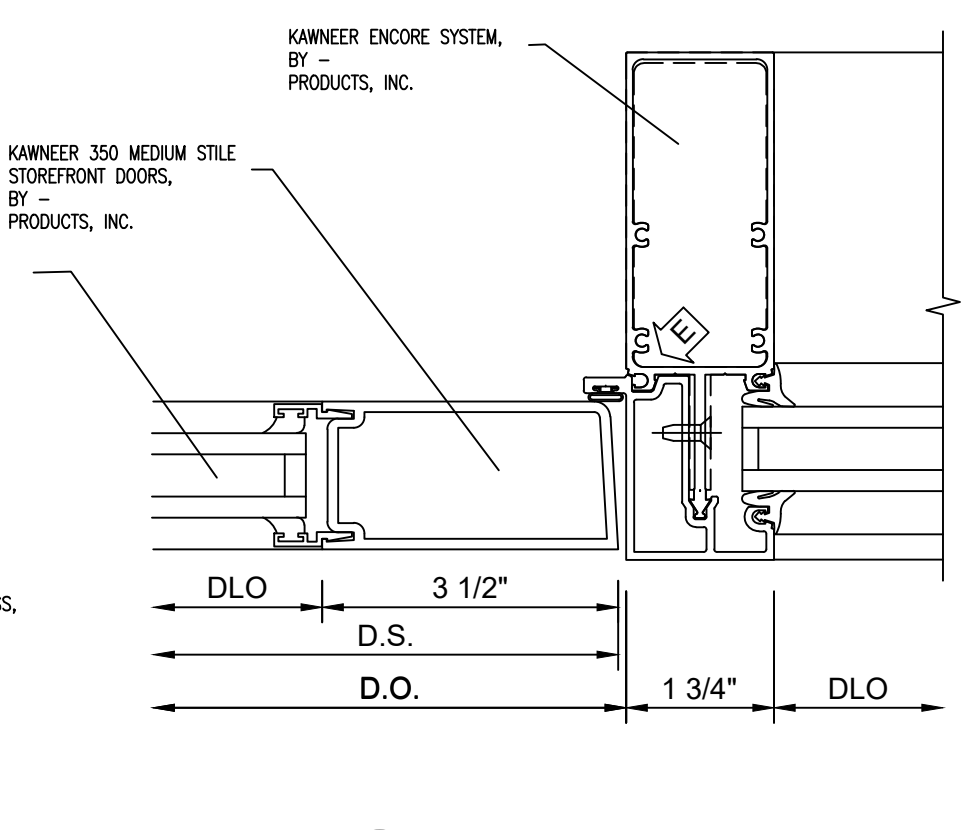
11 PLAN VIEW
 ARCH. REF.: 7/A341



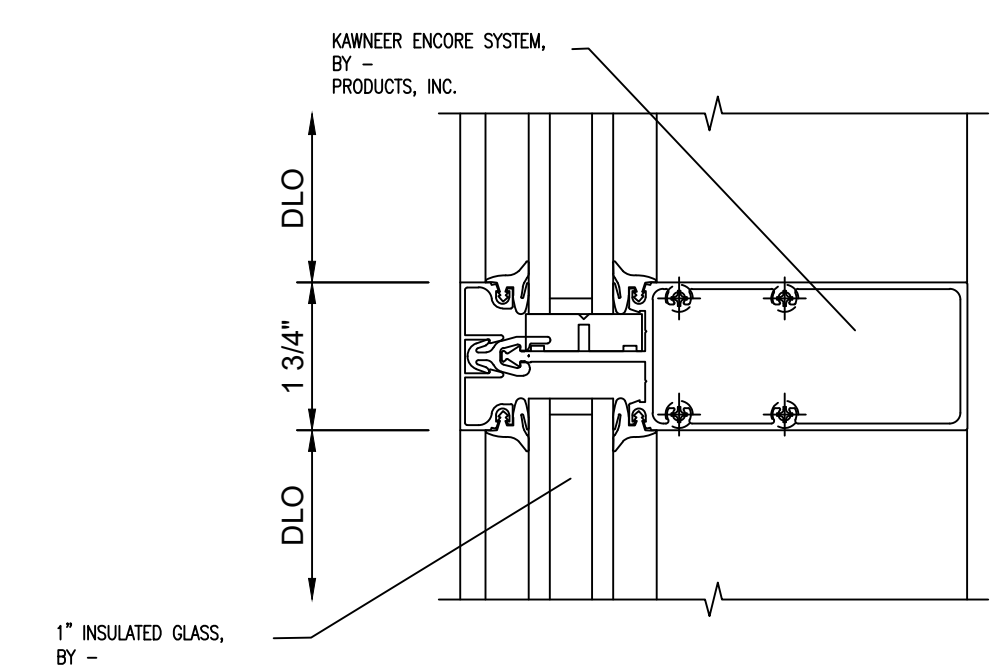
7 PLAN VIEW



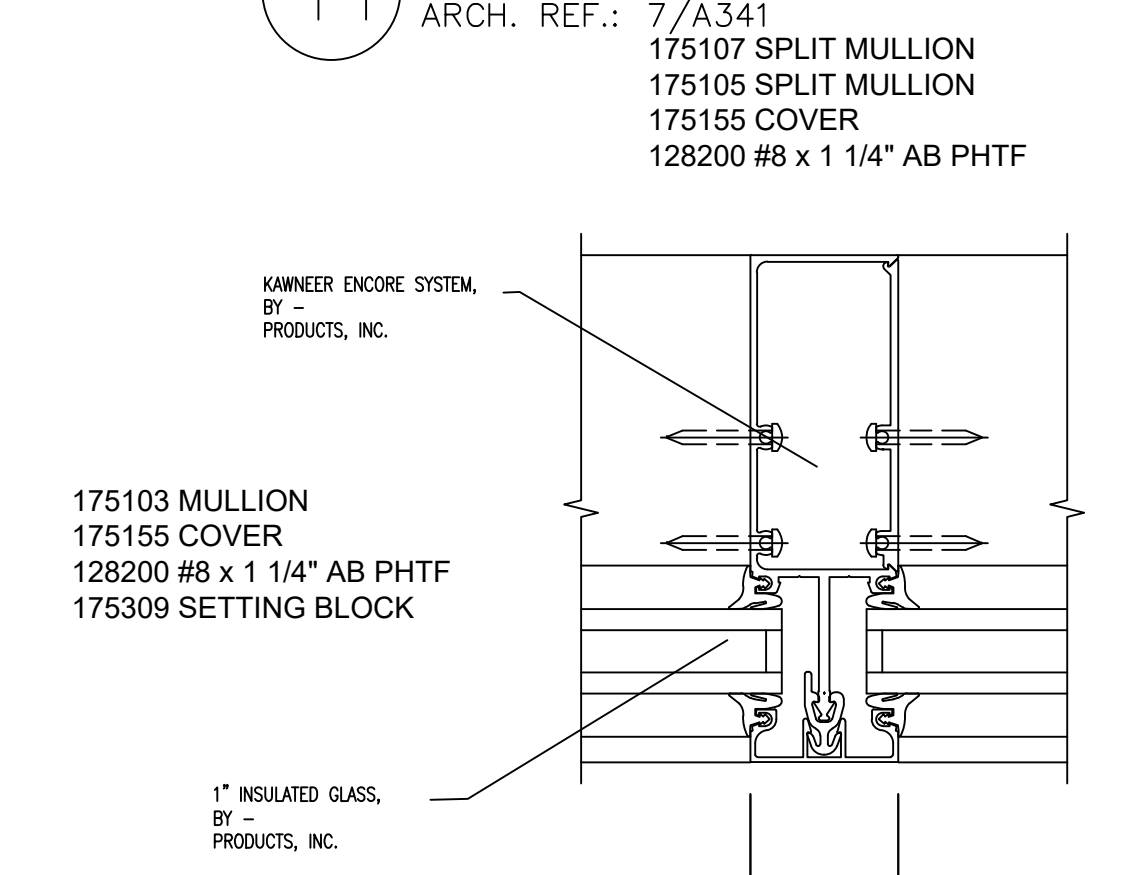
8 PLAN VIEW



9 PLAN VIEW



12 SECTION VIEW



13 PLAN VIEW

NO.	REVISION/ISSUED	DATE
1	1ST SUBMITTAL	01/25/2017

PROJECT NAME & LOCATION:
MOUNT HOLYOKE COLLEGE
50 COLLEGE STREET
SOUTH HADLEY, MA 01075

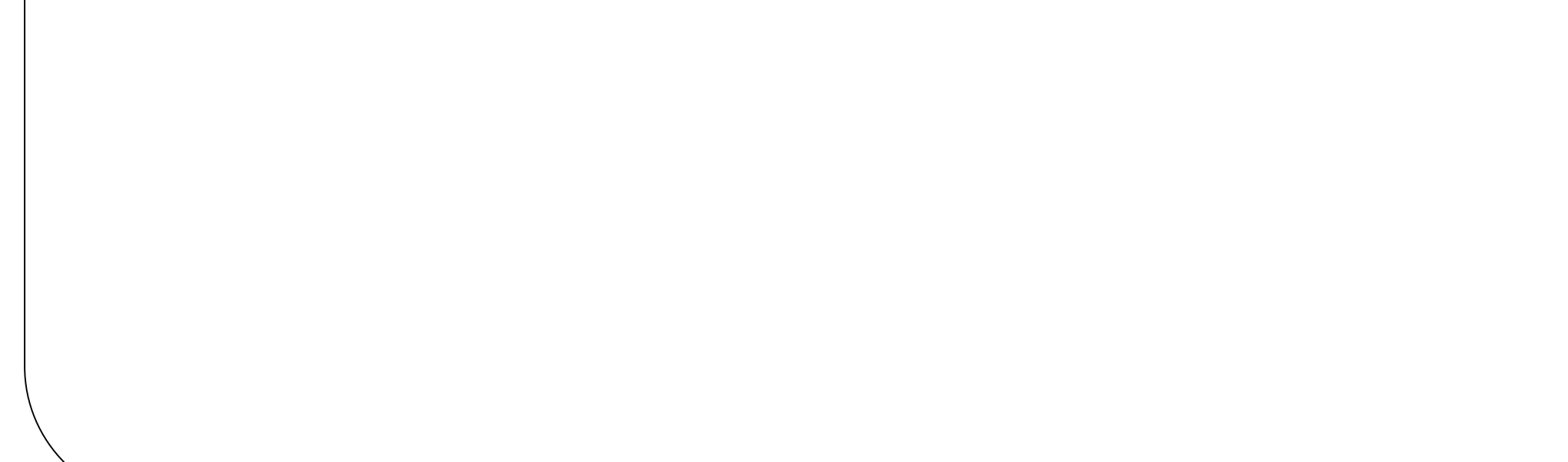
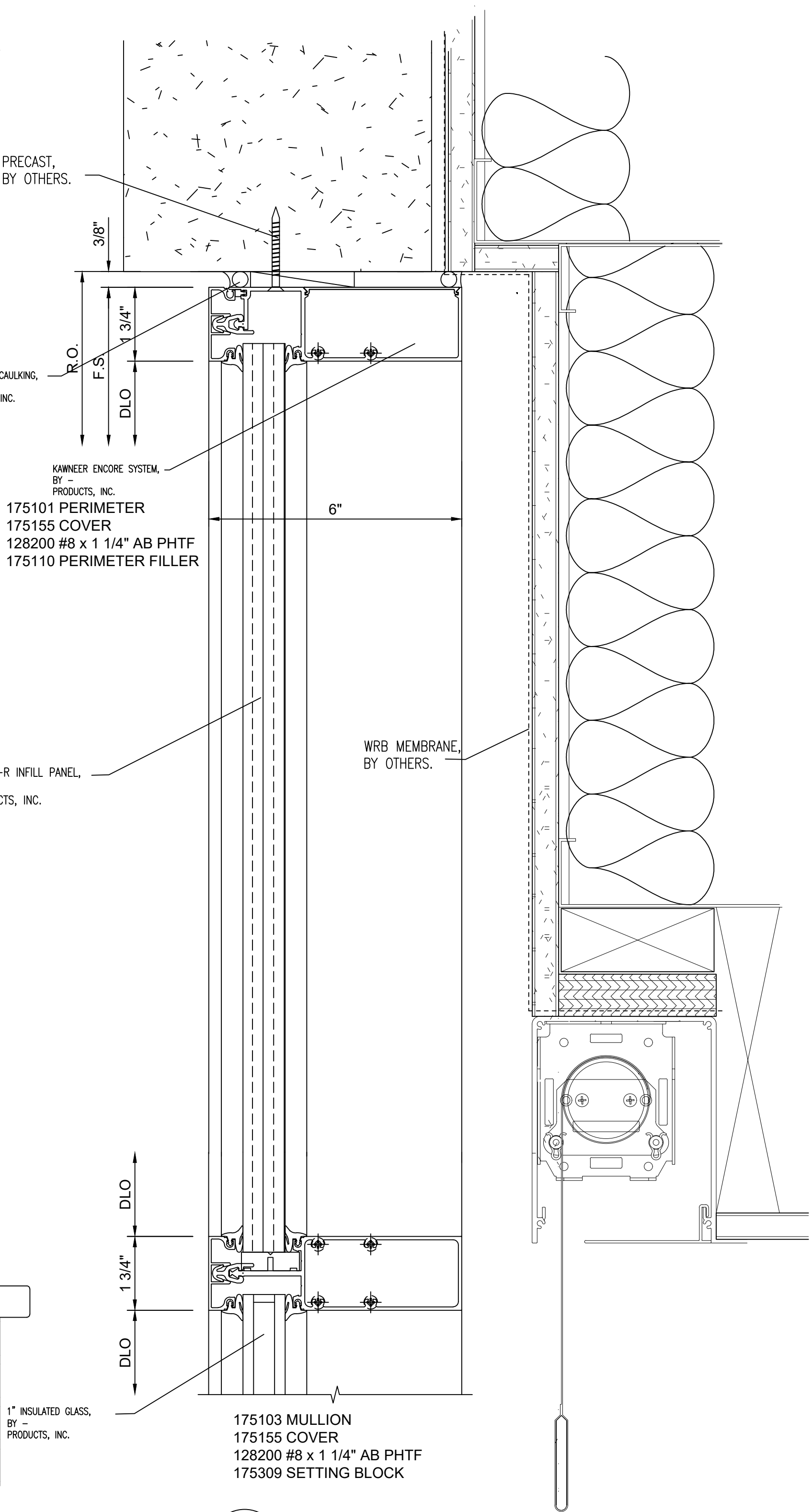
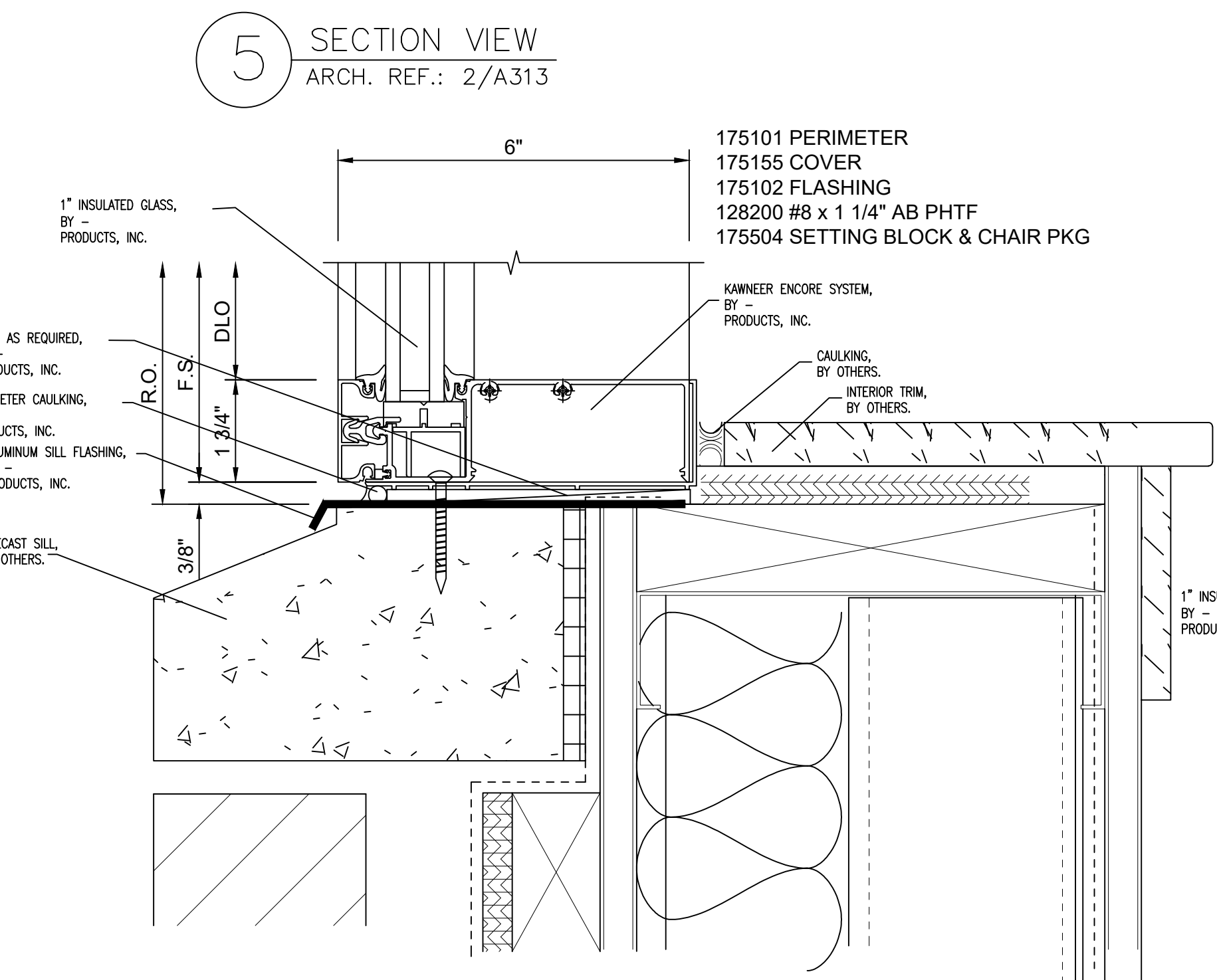
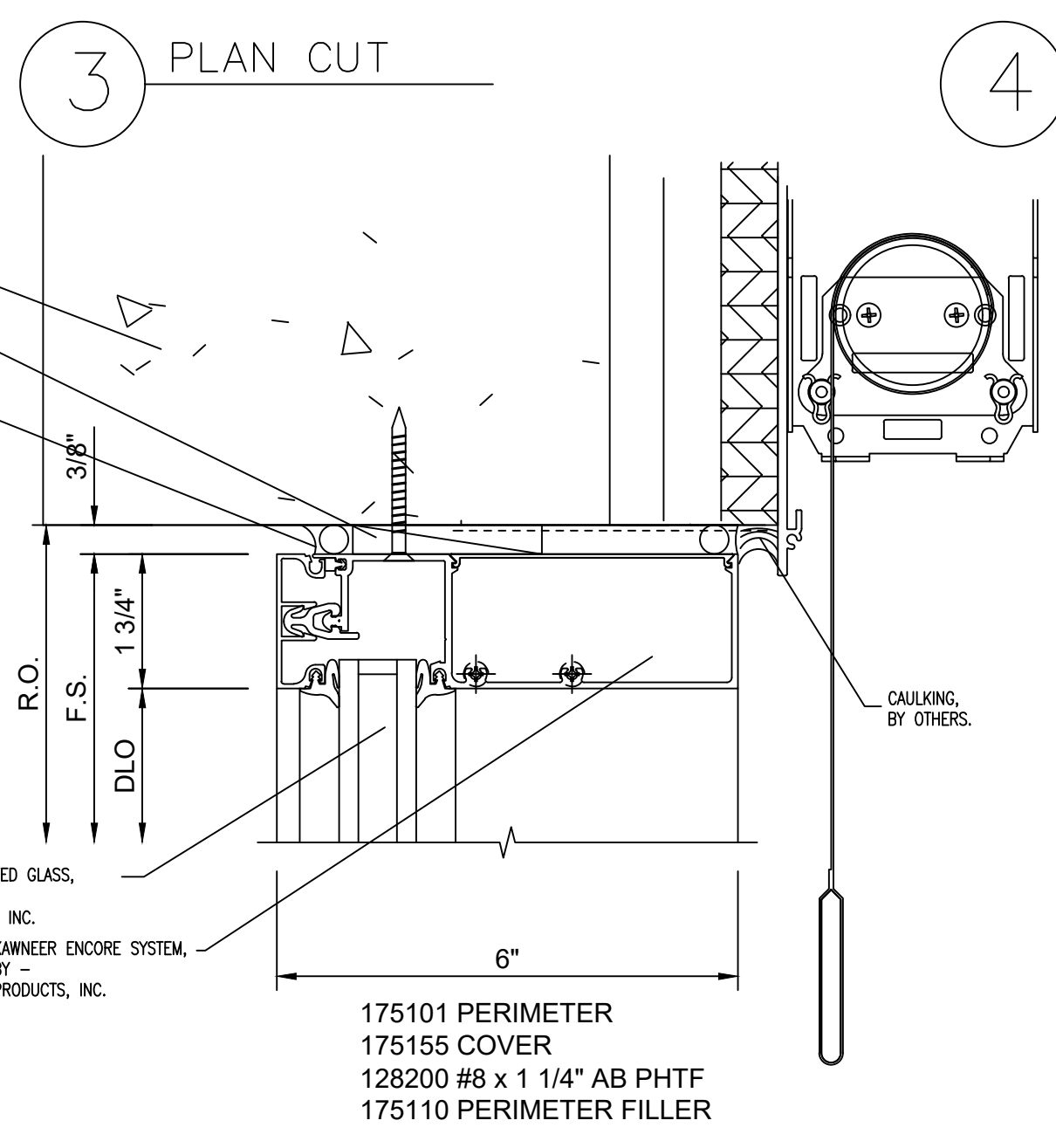
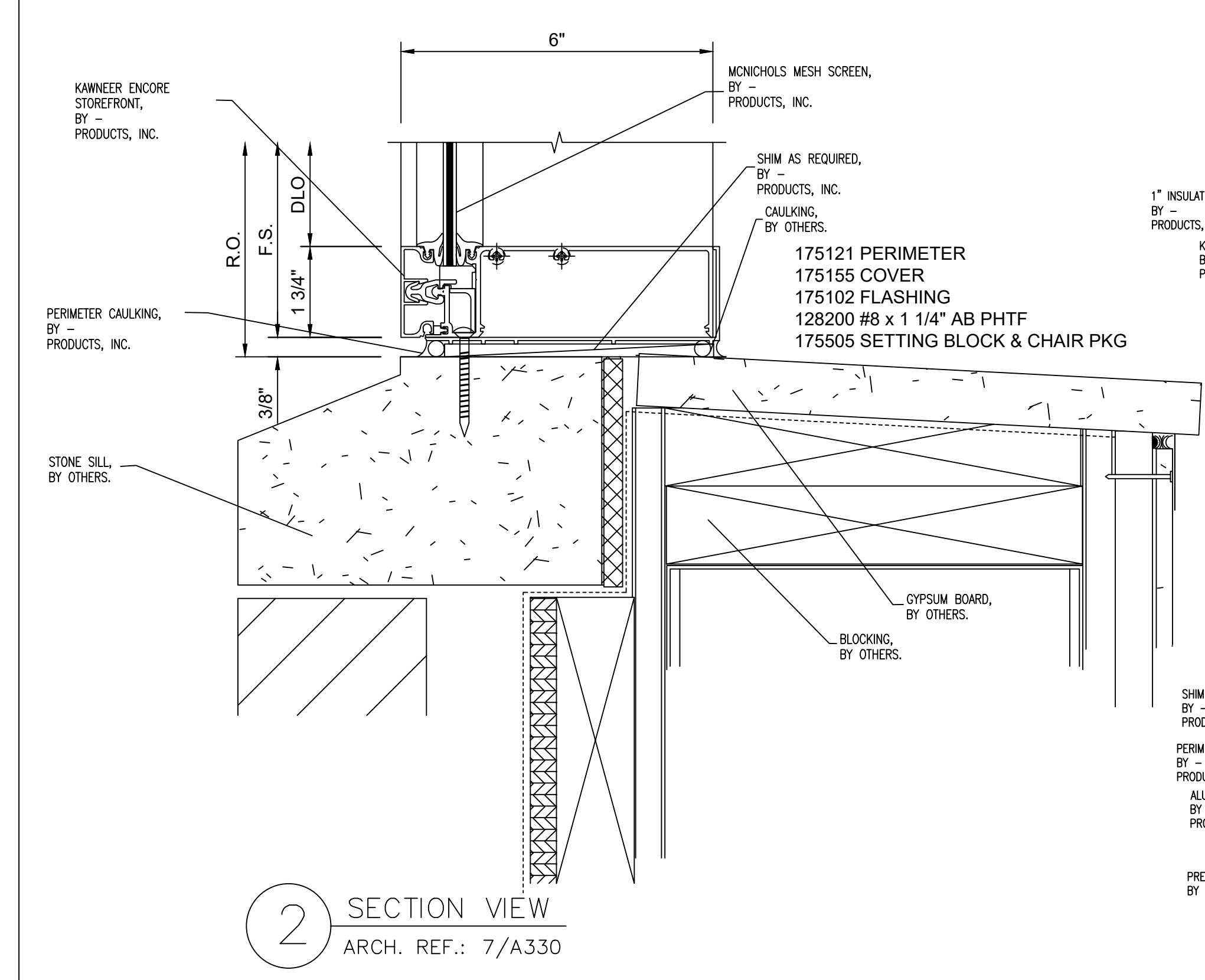
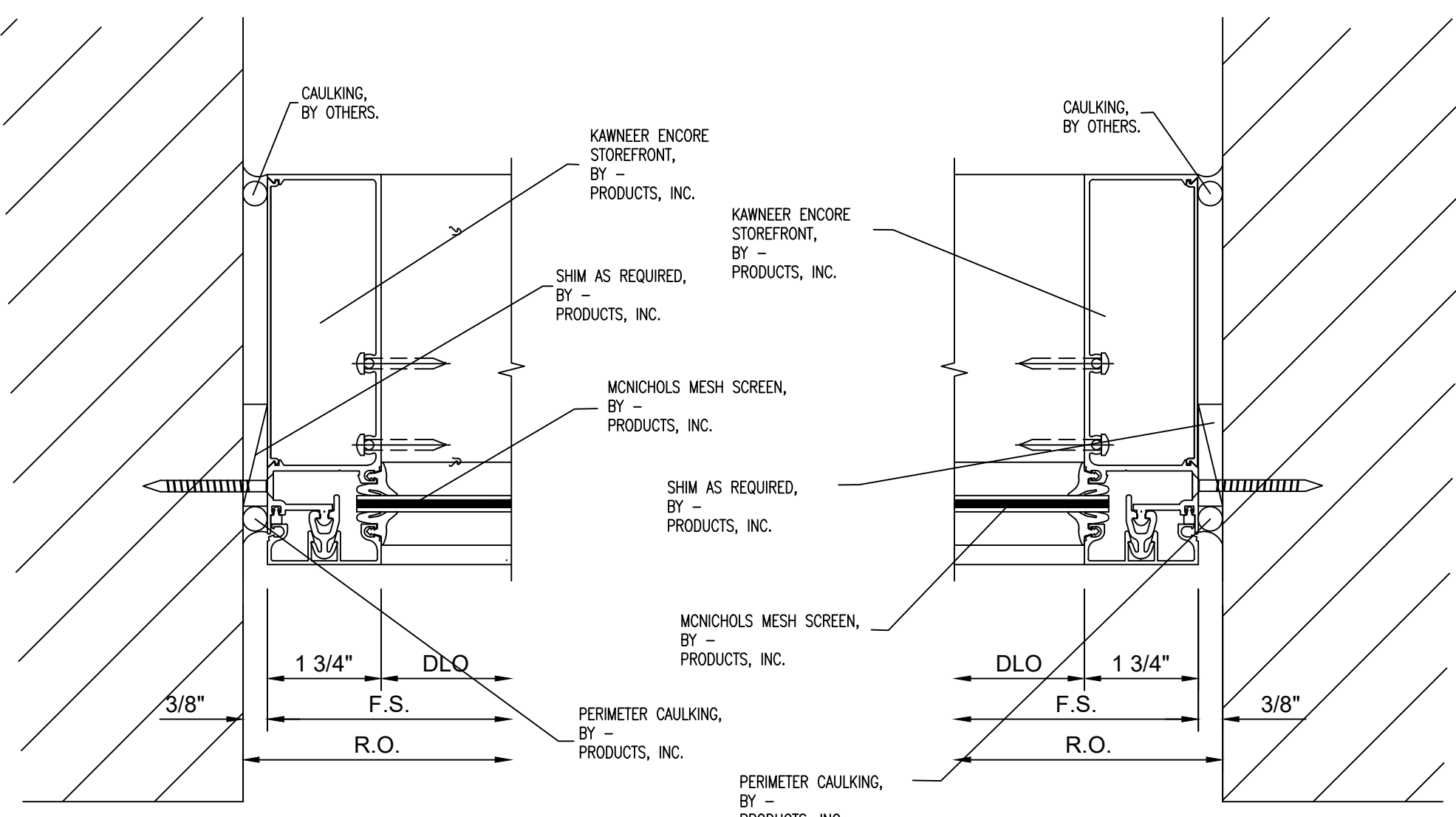
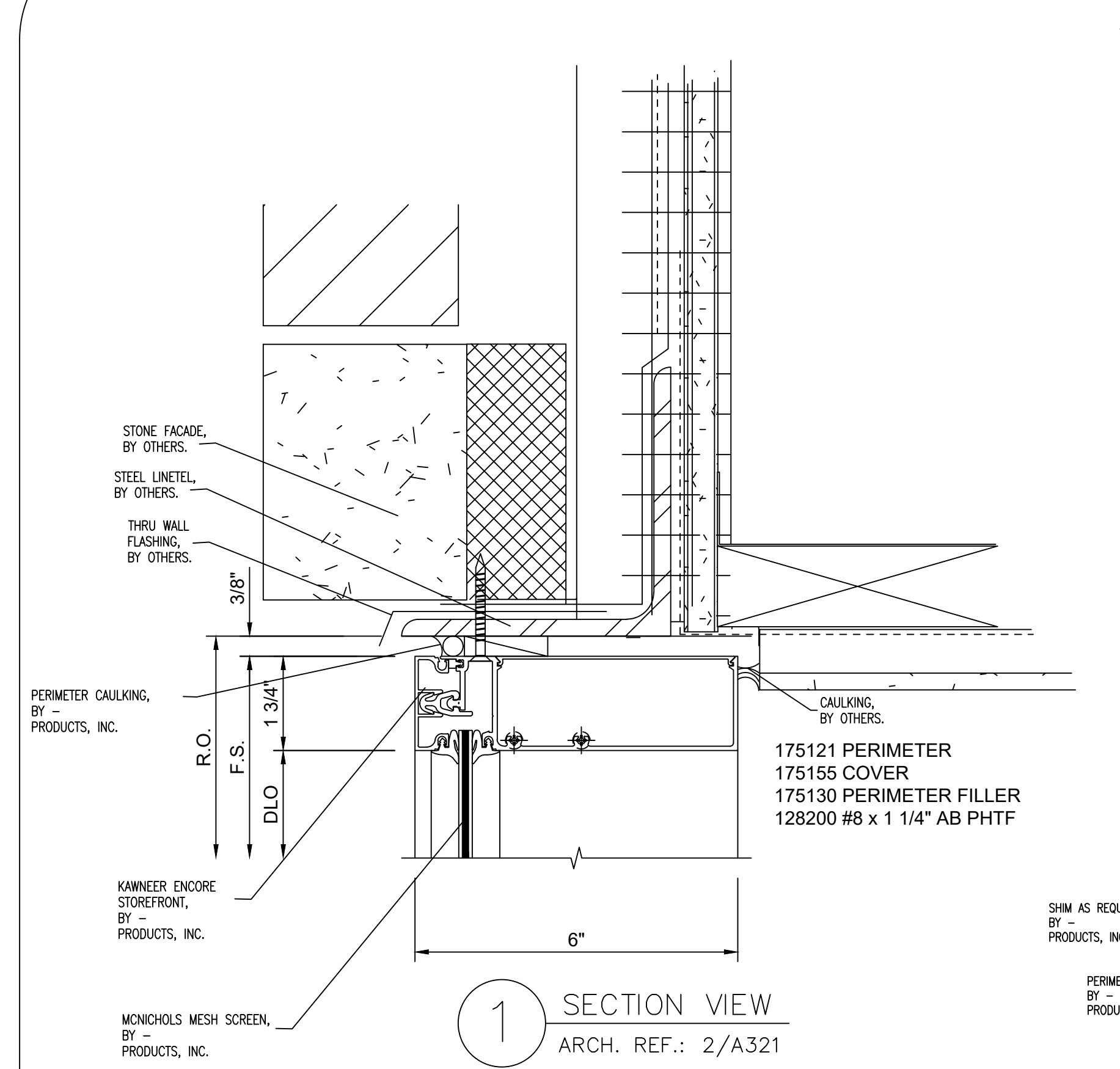
SHEET TITLE:
DETAILS

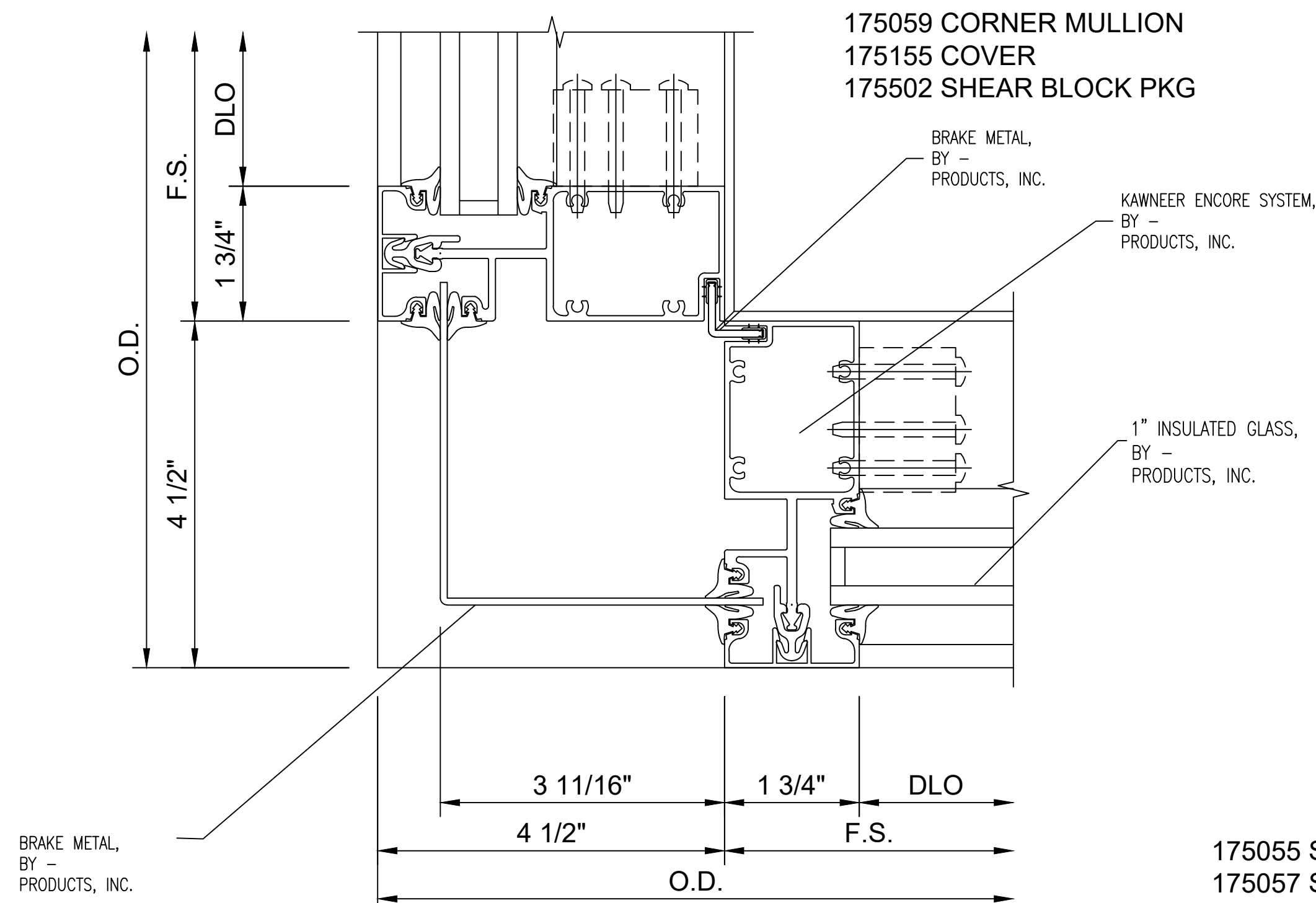
DRAFTSMAN:
 KS DRAFTING & DESIGN, LLC.
 KYLE SCHNECK
 HARRISBURG, PA 17110
 KYLE@KSDRAFTINGDESIGNLLC.COM
 717-228-7114
 KSDRAFTINGDESIGNLLC.COM

ARCHITECT:
 BERGMEYER

DRAWN BY: KYLE SCHNECK
 CHECKED BY: KYLE SCHNECK

DATE: 01/25/2017
 SHEET: 409

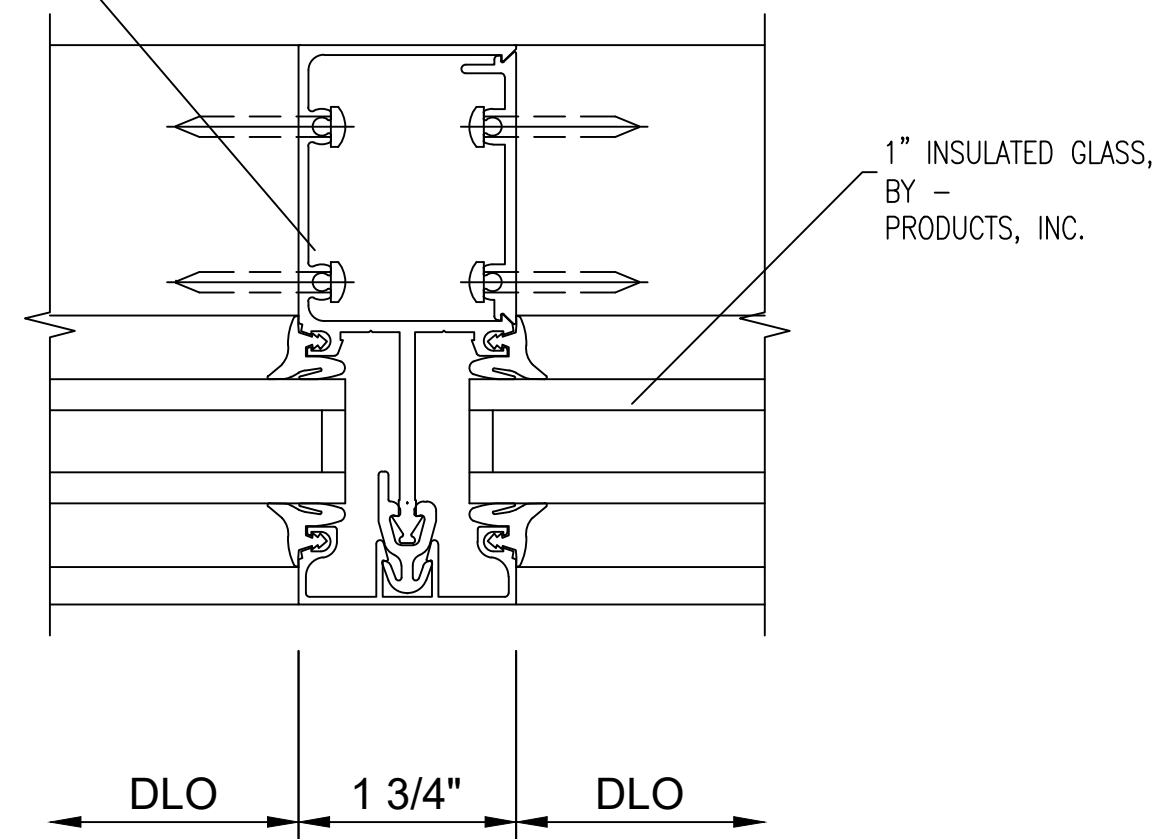




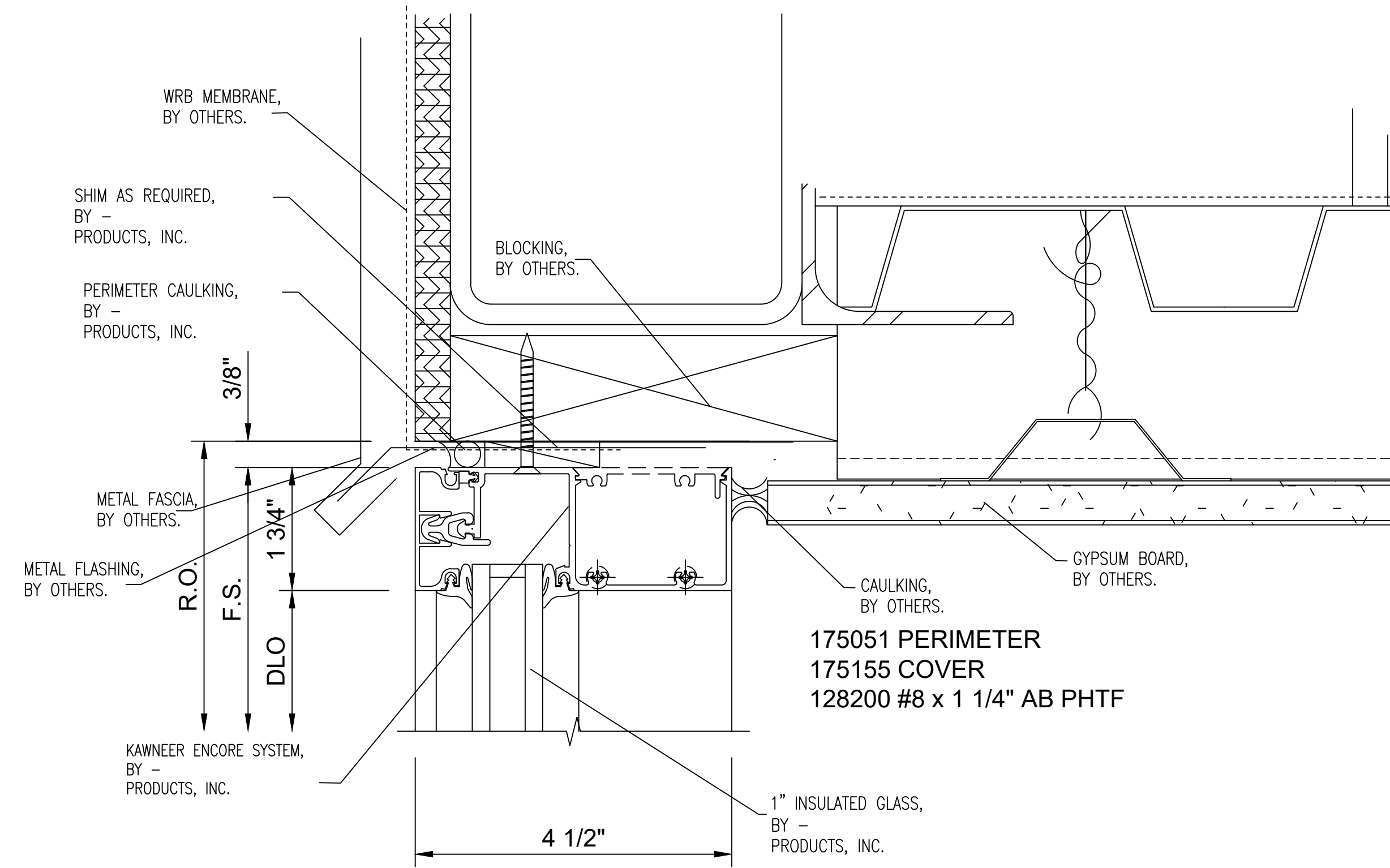
1 PLAN CUT

BRAKE METAL,
BY -
PRODUCTS, INC.

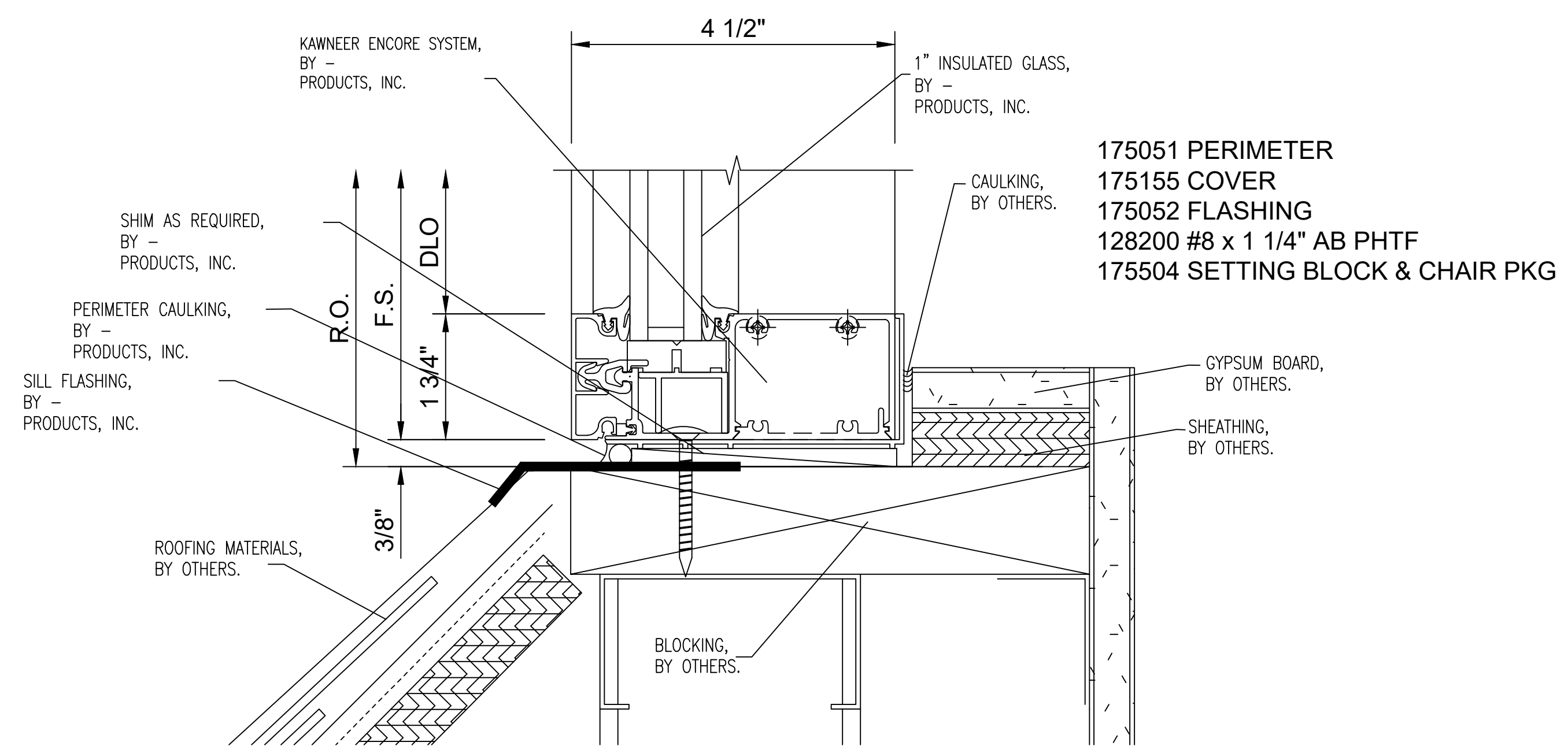
KAWNEER ENCORE SYSTEM,
BY -
PRODUCTS, INC.



2 PLAN CUT



3 SECTION VIEW
ARCH. REF.: 4/A331



4 SECTION VIEW
ARCH. REF.: 4/A331

NO.	REVISION/ISSUED	DATE
1	1ST SUBMITTAL	01/25/2017

PROJECT NAME & LOCATION:
MOUNT HOLYOKE COLLEGE
50 COLLEGE STREET
SOUTH HADLEY, MA 01075

SHEET TITLE:
DETAILS

DRAFTSMAN:
KS DRAFTING & DESIGN, LLC.
KYLE SCHNECK
HARRISBURG, PA 17110
KYLE@KSDRAFTINGDESIGNLLC.COM
717-228-7114
KSDRAFTINGDESIGNLLC.COM

ARCHITECT:
BERGMEYER

DRAWN BY: KYLE SCHNECK
CHECKED BY: KYLE SCHNECK

DATE: 01/25/2017
SHEET: 410