

SYMBOLS			
	ELEVATION NAME		
	DETAIL NAME		
	ELEVATION CALLOUT		
	SECTION CALLOUT		
	REVISED ITEM		
	REVISION NUMBER		

INFORMATION AVAILABLE TO PREPARE DRAWINGS

ARCHITECTURAL DRAWINGS DATED – 09/30/2016
 EMAILED NOTES
 OLD CASTLE CUTSHEETS

GENERAL NOTES

1.) LIMITATIONS: THESE DRAWINGS REPRESENT AN INTERPRETATION OF ARCHITECTURAL INFORMATION MADE AVAILABLE TO KS DRAFTING & DESIGN, LLC. KS DRAFTING & DESIGN, LLC. MAKES NO REPRESENTATION OR WARRANTY TO THE PERFORMANCE OR COMPLETENESS OF THE ARCHITECTURAL DETAILS OF THE SURROUNDING AREAS.

2.) CONFIRMATION: ANY LISTED TOLERANCES, DIMENSIONS, DEFLECTION, ANCHORAGE, REFERENCES, AND FUNCTIONAL PERFORMANCE REQUIREMENTS SHALL BE CONFIRMED WITH THE ARCHITECT, AND VALIDATED BY FIELD MEASUREMENTS TO ENSURE SIZING, PERFORMANCE COMPLIANCE, AND ARCHITECTURAL INTENT.

3.) ACCEPTANCE: FINAL APPROVAL OF THESE DRAWINGS CONSTITUTES ACCEPTANCE OF ALL DEVIATIONS, IF ANY, AND ALL WORK CONTAINED HEREIN.

4.) USE: KS DRAFTING & DESIGN, LLC. ASSUMES NO RESPONSIBILITY FOR THE USE OF THESE DRAWINGS BY OTHER TRADES.

5.) COMPLIANCE: ARCHITECT, ENGINEER, GENERAL CONTRACTOR, AND MISC. TRADES ARE RESPONSIBLE FOR THE SELECTION, INSTALLATION, AND ADJUSTMENT OF SYSTEMS TO ENSURE COMPLIANCE WITH ALL APPLICABLE DESIGN, ENERGY, RATING, BUILDING, AND/ OR SAFETY CODES.

6.) QUALITY OF CONSTRUCTION: ROUGH OPENINGS MAY NOT BE PLUMB, SQUARE, OR LEVEL. CONTRACTOR TO VERIFY EXISTING OPENINGS.

7.) RELEASE OF LIABILITY: THESE DRAWINGS HAVE BEEN PREPARED BY KS DRAFTING & DESIGN, LLC. FOR USE BY THE CUSTOMER. THE CUSTOMER AGREES TO ASSUME ALL LIABILITY AND ANY CLAIMS THAT MAY ARISE FROM THE USE OF, OR INFORMATION CONTAINED IN THESE DRAWINGS.

NO.	REVISION/ISSUED	DATE
1	1ST SUBMITTAL	01/31/2017

NOTES TO GENERAL CONTRACTOR

PLEASE CONFIRM THAT THE SURROUNDING CONDITIONS OUTLINED IN THESE DRAWINGS ARE ACCURATE TO THE TRUE FIELD CONDITIONS, AND THAT ALL ROUGH OPENINGS SHOWN ARE ACCURATE TO FIELD CONDITIONS AND SIZES.

PERIMETER CAULKING
 – PRODUCTS.

NOTES TO ARCHITECT

PERIMETER CAULKING
 – PRODUCTS.

PROJECT NAME & LOCATION:
 MOUNT HOLYOKE COLLEGE
 50 COLLEGE STREET
 SOUTH HADLEY, MA 01075
 SHEET TITLE:
 COVER SHEET

PROJECT:
 MOUNT HOLYOKE COLLEGE

50 COLLEGE STREET
 SOUTH HADLEY, MA 01075

DRAFTSMAN:
 KS DRAFTING & DESIGN, LLC.
 KYLE SCHNECK
 HARRISBURG, PA 17110
 KYLE@KSDRAFTINGDESIGNLLC.COM
 717-228-7114
 KSDRAFTINGDESIGNLLC.COM

ARCHITECT:
 BERGMEYER

GLASS INFORMATION	
MARK	GLASS DESCRIPTION
	1/2" CLEAR TEMPERED, POLISHED EDGES

DOOR INFORMATION	
DOOR:	NOTES:
TYPE: G D108A – PAIR D108B – PAIR	HARDWARE: OLD CASTLE 6" SQUARE BOTTOM DOOR RAILS OLD CASTLE DOOR TOP PATCH FITTINGS OLD CASTLE 6" SQUARE FIXED SIDELITE SILL RAILS 2" X 4 1/2" HEADER TUBES HEADER COVER PLATES BTS 80 FLOOR CLOSERS WALKING BEAM TOP PIVOTS 12" STRAIGHT PULL HANDLES 24" PUSH BARS
	ALL FINISHES TO BE: EXTRUDED ALUMINUM W/ STAINLESS STEEL CLADDING

TABLE OF CONTENTS	
100 COVER SHEET	400 DETAILS
200 LOWER LEVEL FLOOR PLAN – SOUTH	401 DETAILS
201 MIDDLE LEVEL BLANCHARD FLOOR PLAN	
202 FRAME ELEVATIONS	
203 FRAME ELEVATIONS	
204 FRAME ELEVATIONS	

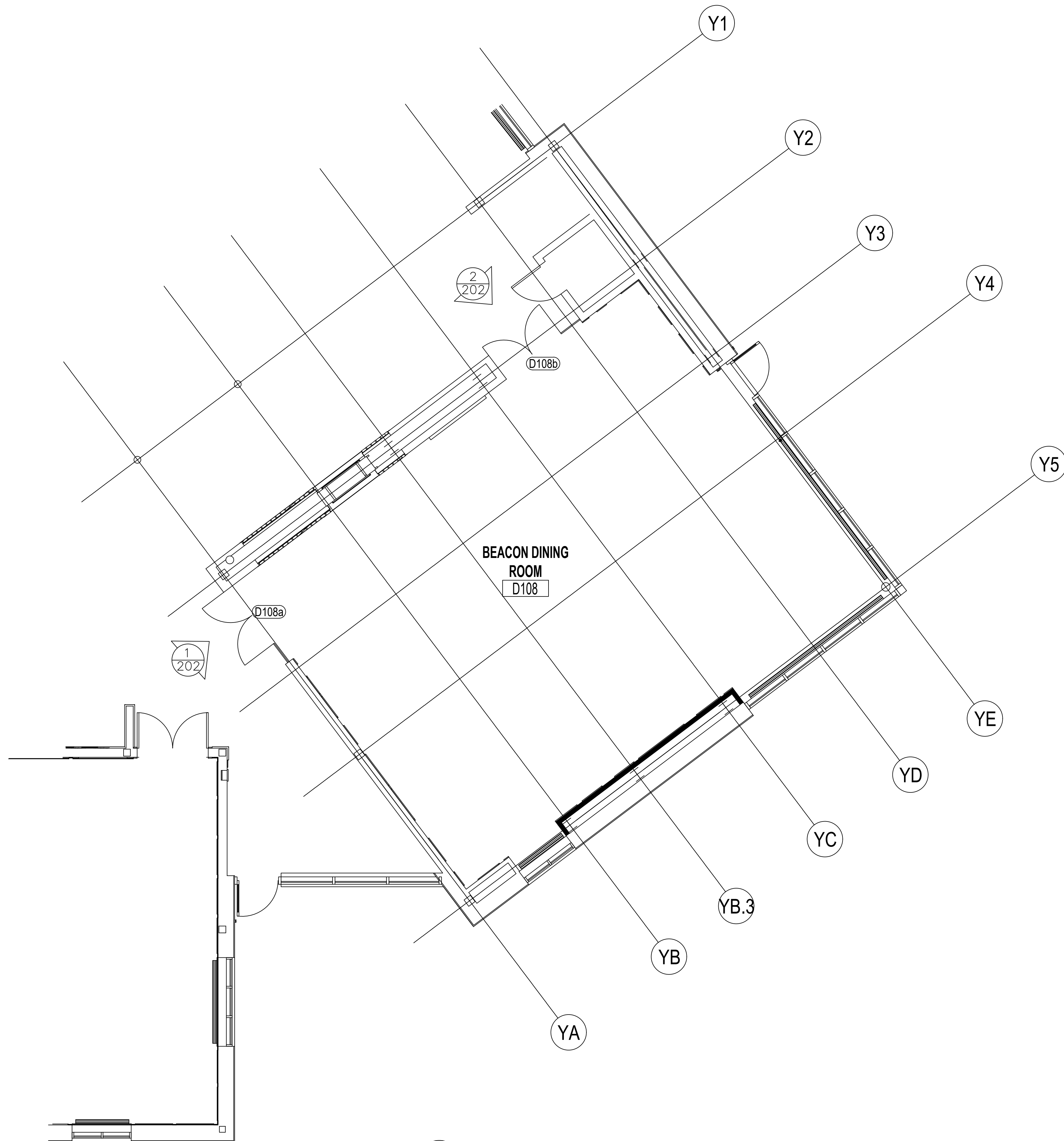
MATERIALS

FIXED ALL GLASS PARTITIONS AT OFFICES:
 ALUMINUM 1" X 2" TOP CHANNEL
 ALUMINUM 1" X 1" BOTTOM CHANNEL

ALL FINISHES TO BE: STAINLESS STEEL CLAD

DRAWN BY: KYLE SCHNECK
 CHECKED BY: KYLE SCHNECK

DATE: 01/31/2017
 SHEET: 100



1 LOWER LEVEL PLAN SOUTH
 ARCH. REF.: 1/A101.3

NO.	REVISION/ISSUED	DATE
1	1ST SUBMITTAL	01/31/2017

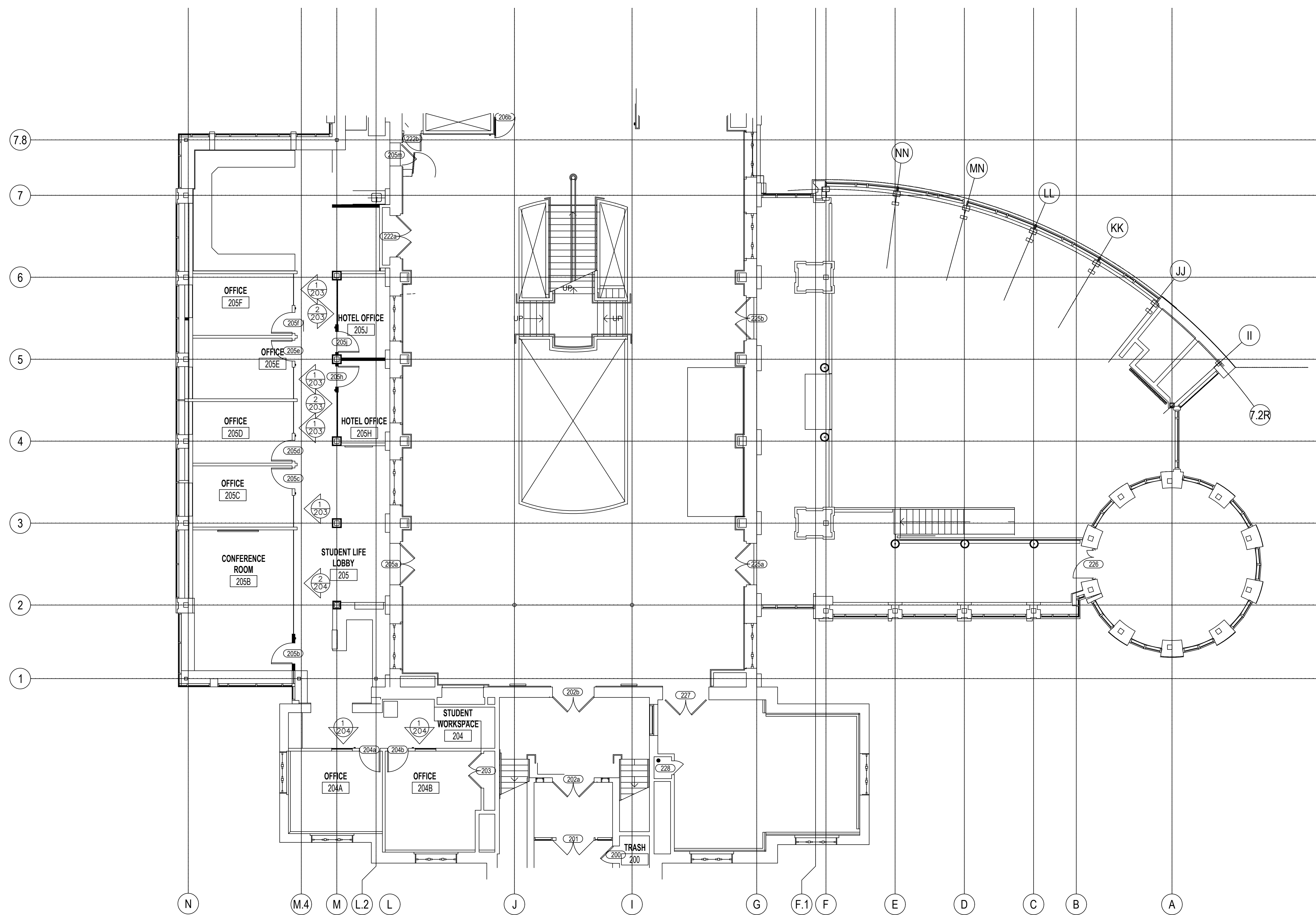
PROJECT NAME & LOCATION: MOUNT HOLYOKE COLLEGE 50 COLLEGE STREET SOUTH HADLEY, MA 01075	SHEET TITLE: FLOOR PLAN

DRAFTSMAN:
 KS DRAFTING & DESIGN, LLC.
 KYLE SCHNECK
 HARRISBURG, PA 17110
 KYLE@KSDRAFTINGDESIGNLLC.COM
 717-228-7114
 KSDRAFTINGDESIGNLLC.COM

ARCHITECT:
 BERGMEYER

DRAWN BY: KYLE SCHNECK
 CHECKED BY: KYLE SCHNECK

DATE: 01/31/2017	SHEET: 200
------------------	------------



1 MIDDLE LEVEL BLANCHARD CONSTRUCTION PLAN
 ARCH. REF.: 1/A102.1

NO.	REVISION/ISSUED	DATE
1	1ST SUBMITTAL	01/31/2017

PROJECT NAME & LOCATION:
 MOUNT HOLYOKE COLLEGE
 50 COLLEGE STREET
 SOUTH HADLEY, MA 01075

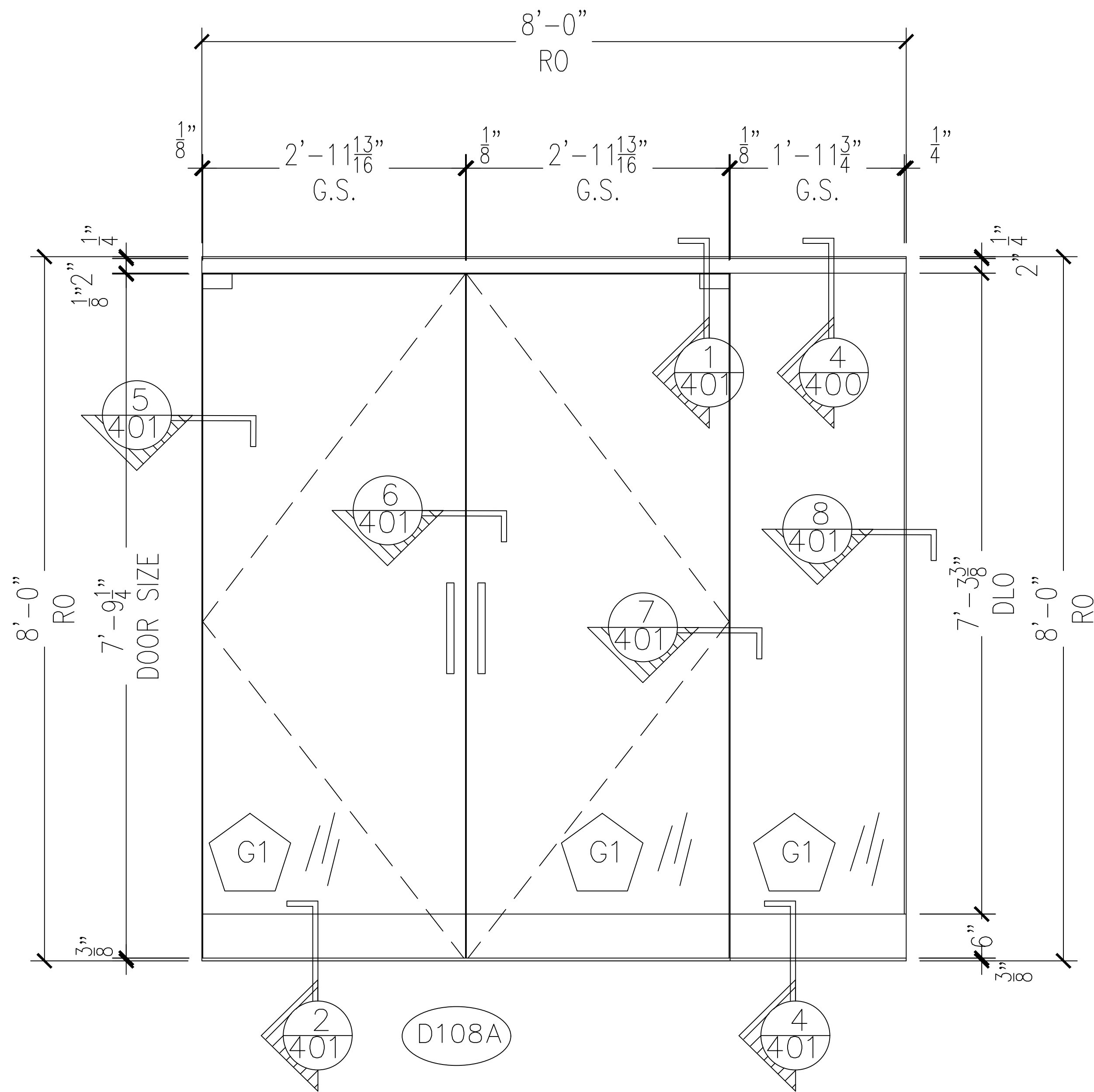
SHEET TITLE:
 FLOOR PLAN

DRAFTSMAN:
 KS DRAFTING & DESIGN, LLC.
 KYLE SCHNECK
 HARRISBURG, PA 17110
 KYLE@KSDRAFTINGDESIGNLLC.COM
 717-228-7114
 KSDRAFTINGDESIGNLLC.COM

ARCHITECT:
 BERGMEYER

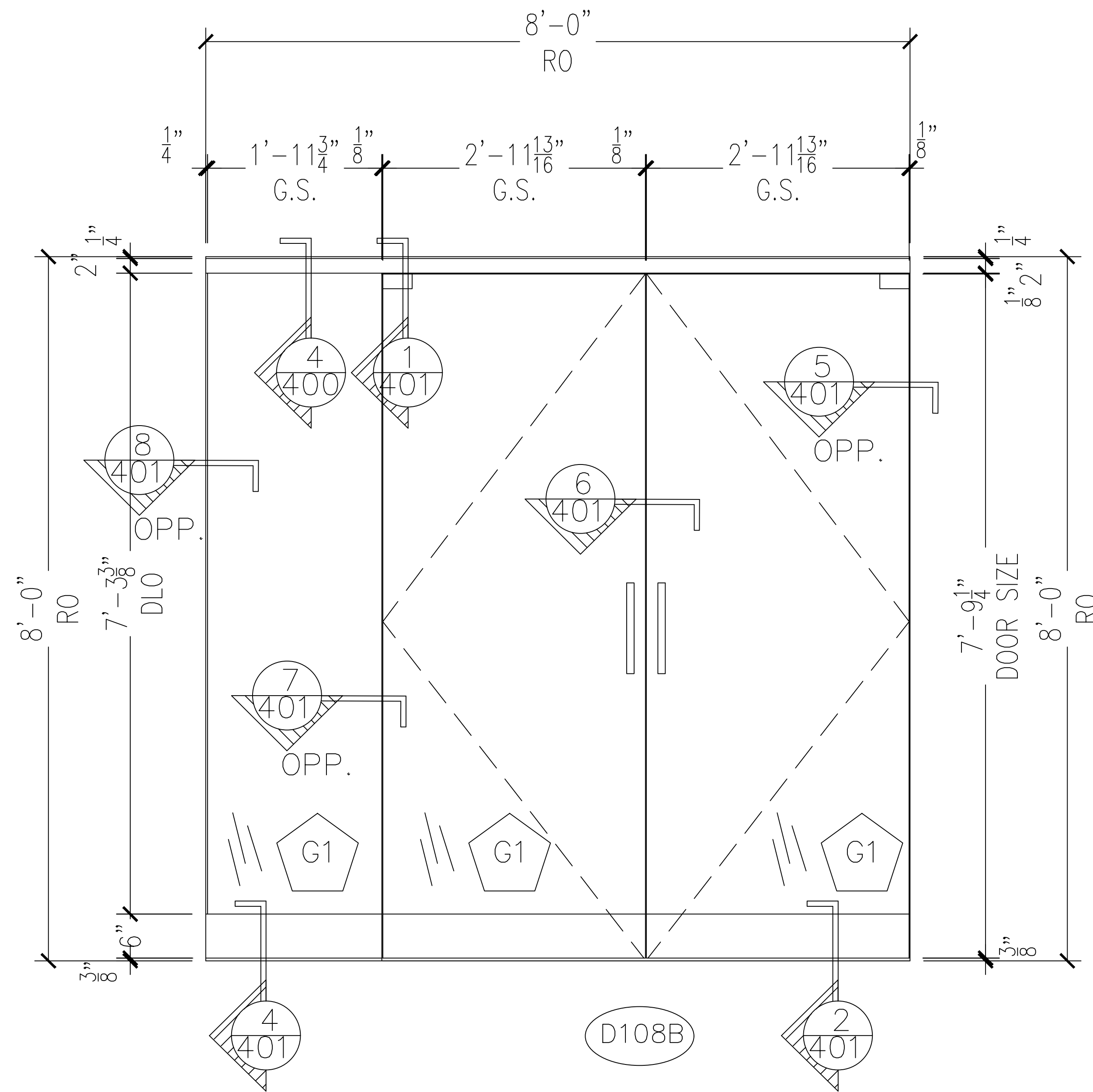
DRAWN BY: KYLE SCHNECK
 CHECKED BY: KYLE SCHNECK

DATE: 01/31/2017
 SHEET: 201



QTY: 1

1 DOOR TYPE G W/ SIDELITE
ARCH. REF: 21/A432



QTY: 1

2 DOOR TYPE G W/ SIDELITE
ARCH. REF: 20/A432

NO.	REVISION/ISSUED	DATE
1	1ST SUBMITTAL	01/31/2017

PROJECT NAME & LOCATION:
MOUNT HOLYOKE COLLEGE
 50 COLLEGE STREET
 SOUTH HADLEY, MA 01075

SHEET TITLE:
ELEVATIONS

DRAFTSMAN:
 KS DRAFTING & DESIGN, LLC.
 KYLE SCHNECK
 HARRISBURG, PA 17110
 KYLE@KSDRAFTINGDESIGNLLC.COM
 717-228-7114
 KSDRAFTINGDESIGNLLC.COM

ARCHITECT:
 BERGMEYER

DRAWN BY: KYLE SCHNECK
 CHECKED BY: KYLE SCHNECK

DATE: 01/31/2017
 SHEET: 202

NO.	REVISION/ISSUED	DATE
1	1ST SUBMITTAL	01/31/2017

PROJECT NAME & LOCATION:
MOUNT HOLYOKE COLLEGE
50 COLLEGE STREET
SOUTH HADLEY, MA 01075

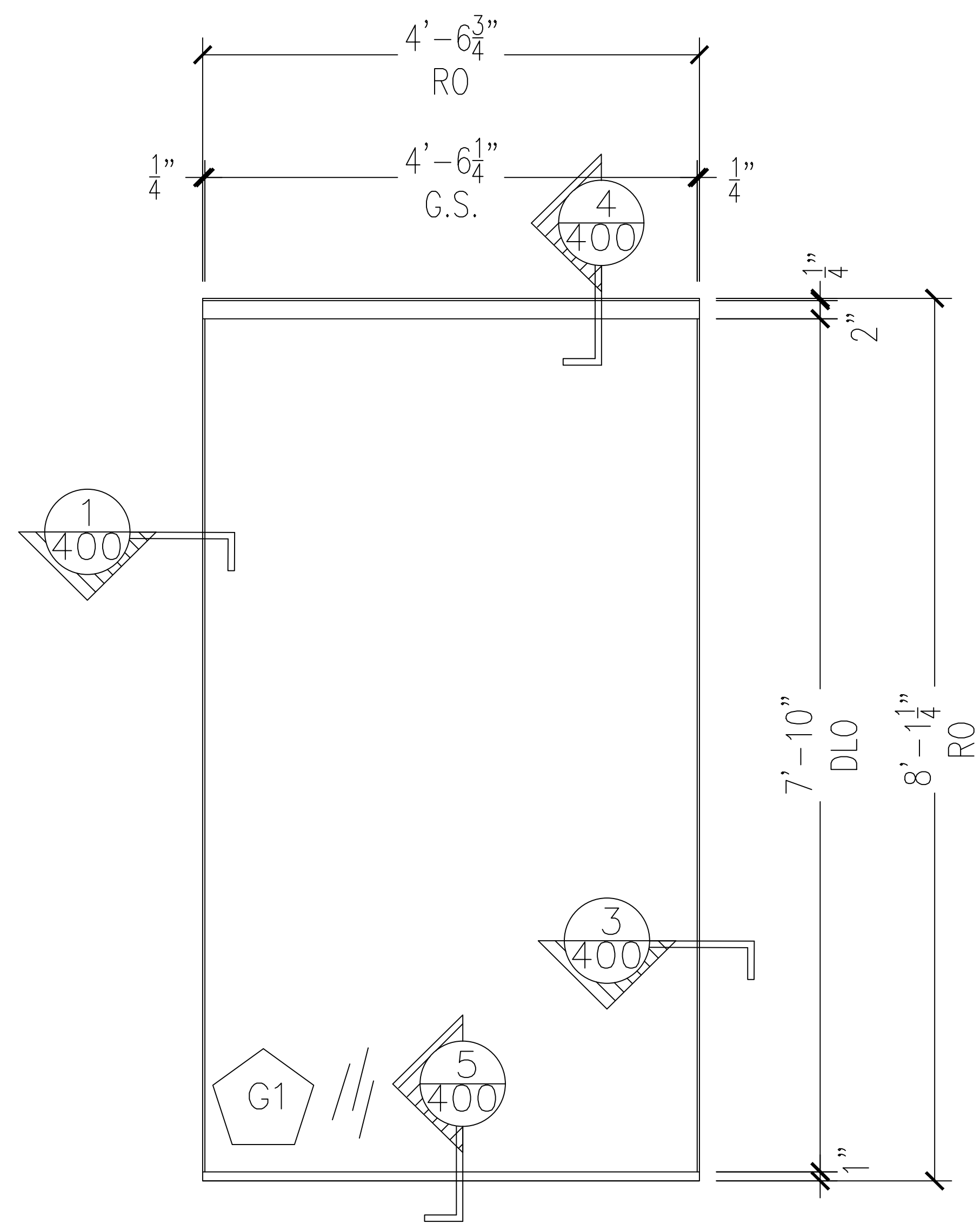
SHEET TITLE:
ELEVATIONS

DRAFTSMAN:
 KS DRAFTING & DESIGN, LLC.
 KYLE SCHNECK
 HARRISBURG, PA 17110
 KYLE@KSDRAFTINGDESIGNLLC.COM
 717-228-7114
 KSDRAFTINGDESIGNLLC.COM

ARCHITECT:
 BERGMEYER

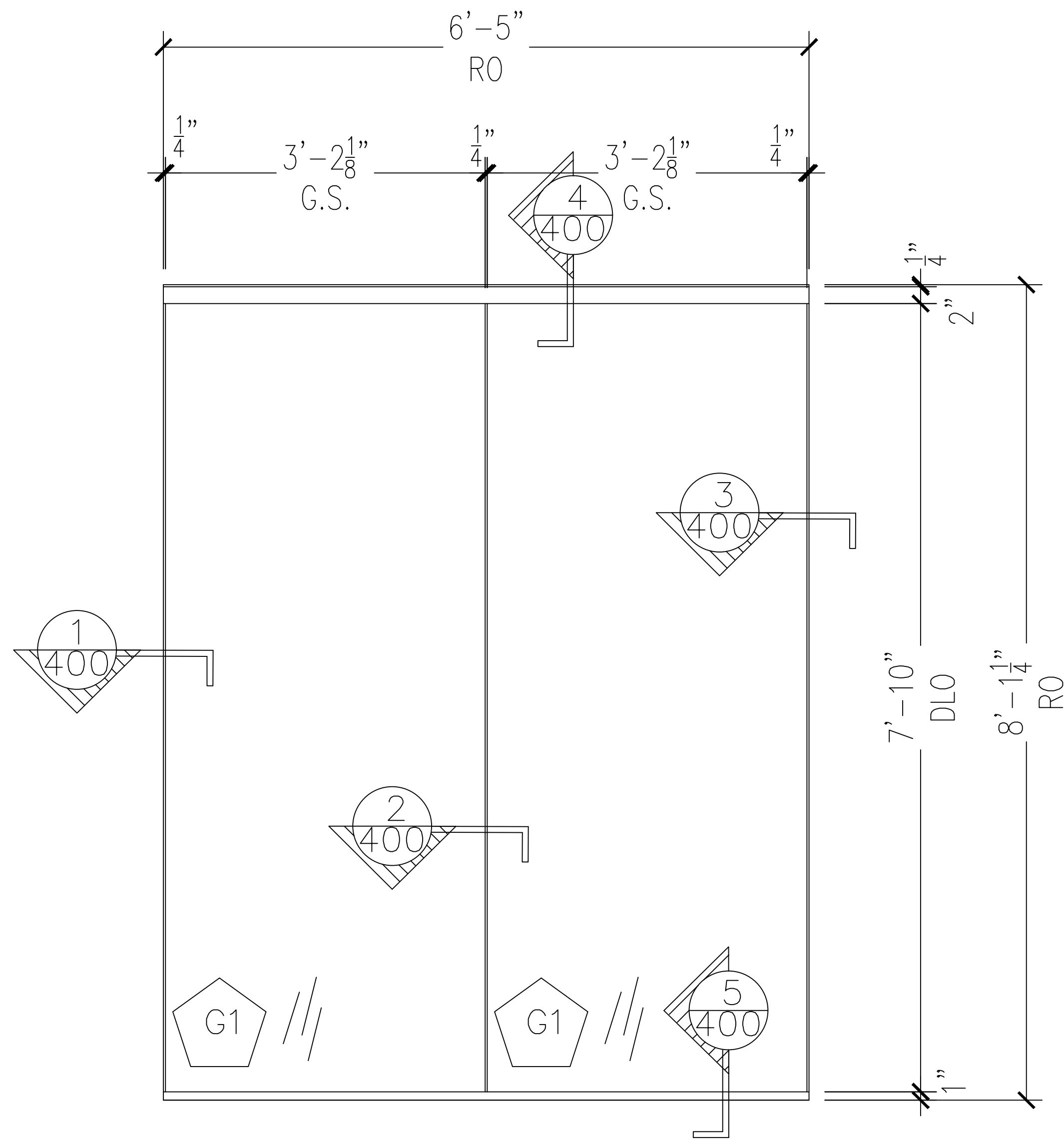
DRAWN BY: KYLE SCHNECK
 CHECKED BY: KYLE SCHNECK

DATE: 01/31/2017
 SHEET: 203



QTY: 4

1 GLAZING AT PRIVATE OFFICE
 ARCH. REF: 7/A604



QTY: 2

2 GLAZING AT HOTEL OFFICE
 ARCH. REF: 6/A604

NO.	REVISION/ISSUED	DATE
1	1ST SUBMITTAL	01/31/2017

PROJECT NAME & LOCATION:
MOUNT HOLYOKE COLLEGE
50 COLLEGE STREET
SOUTH HADLEY, MA 01075

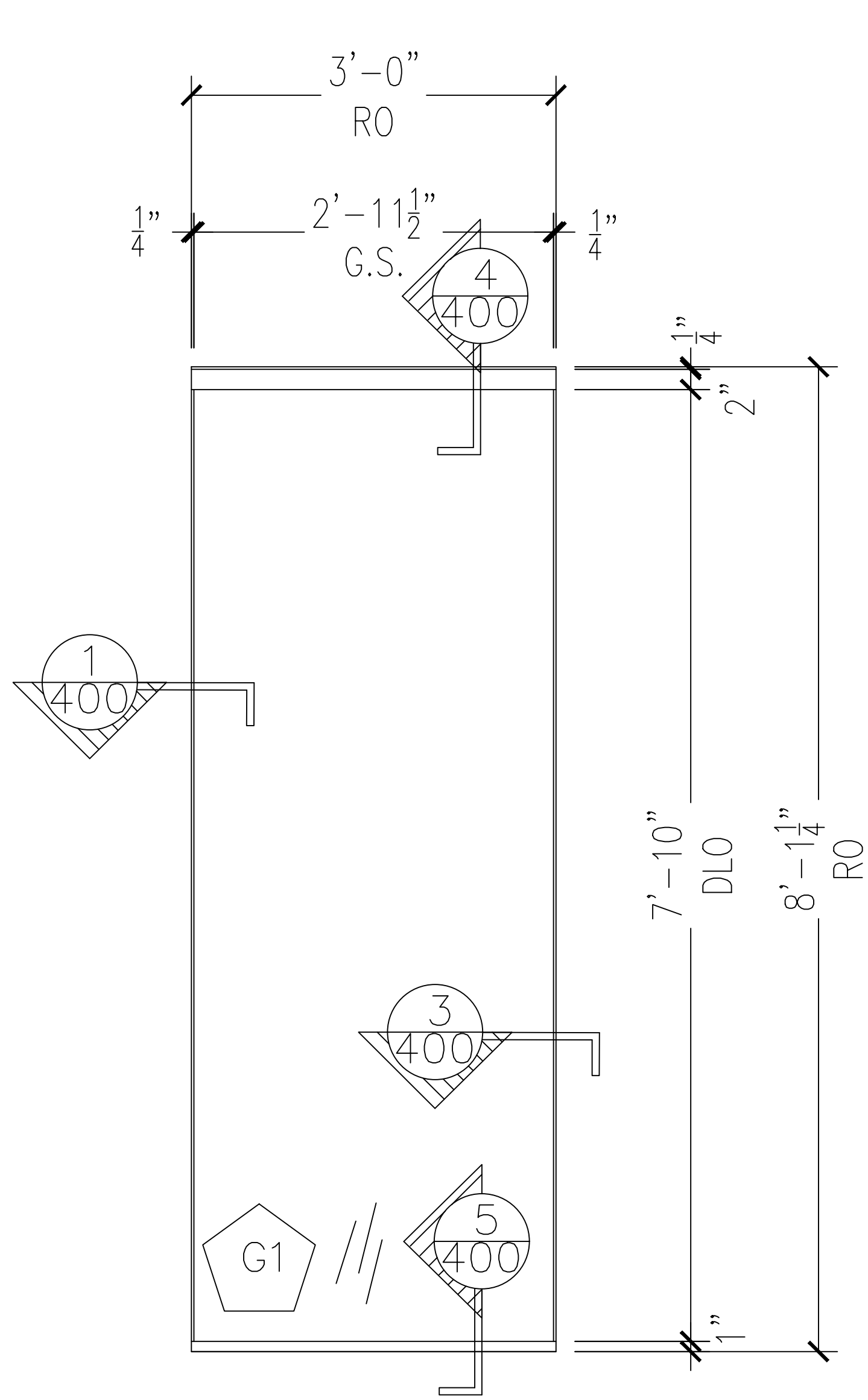
SHEET TITLE:
ELEVATIONS

DRAFTSMAN:
 KS DRAFTING & DESIGN, LLC.
 KYLE SCHNECK
 HARRISBURG, PA 17110
 KYLE@KSDRAFTINGDESIGNLLC.COM
 717-228-7114
 KSDRAFTINGDESIGNLLC.COM

ARCHITECT:
 BERGMEYER

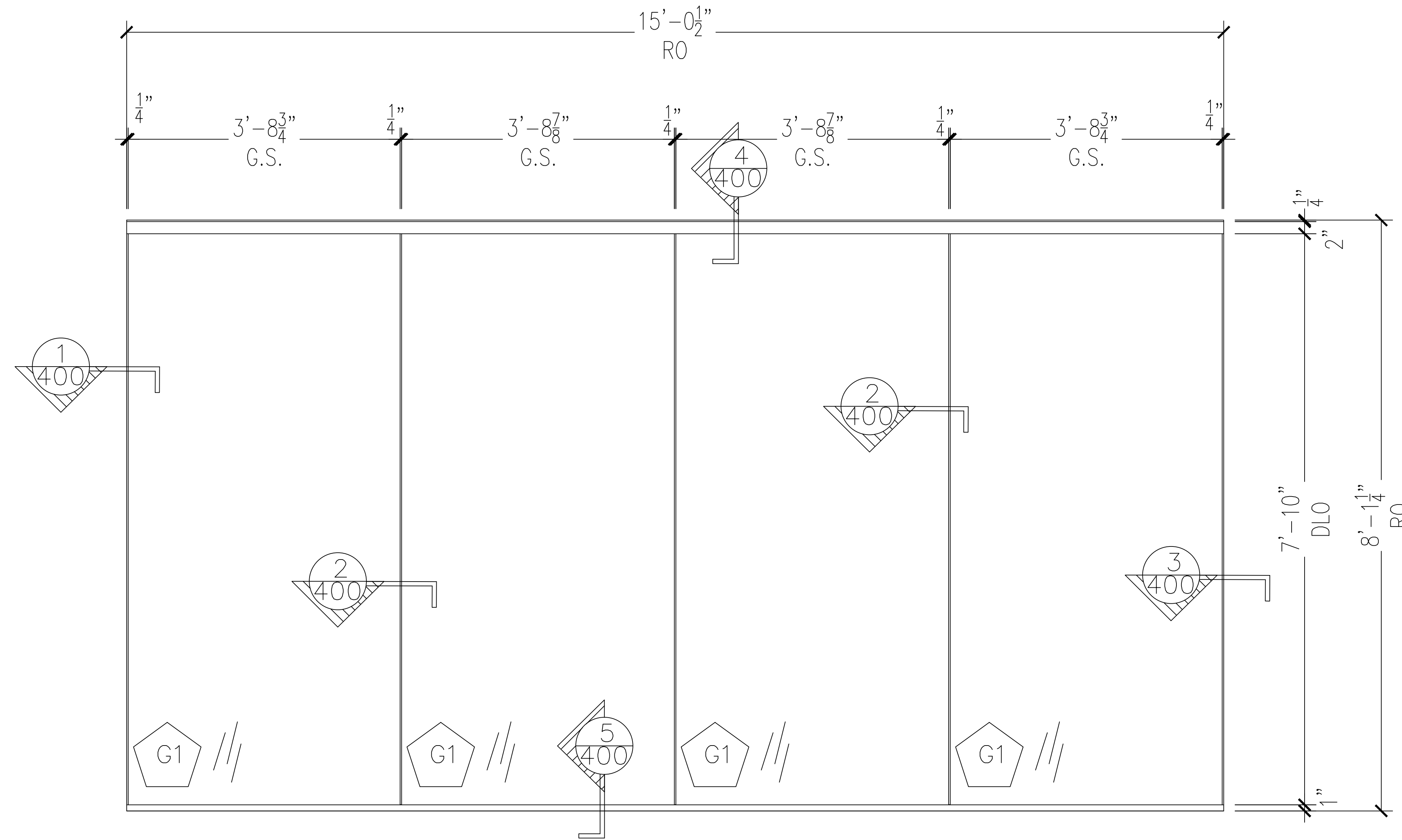
DRAWN BY: KYLE SCHNECK
 CHECKED BY: KYLE SCHNECK

DATE: 01/31/2017
 SHEET: 204



QTY: 2

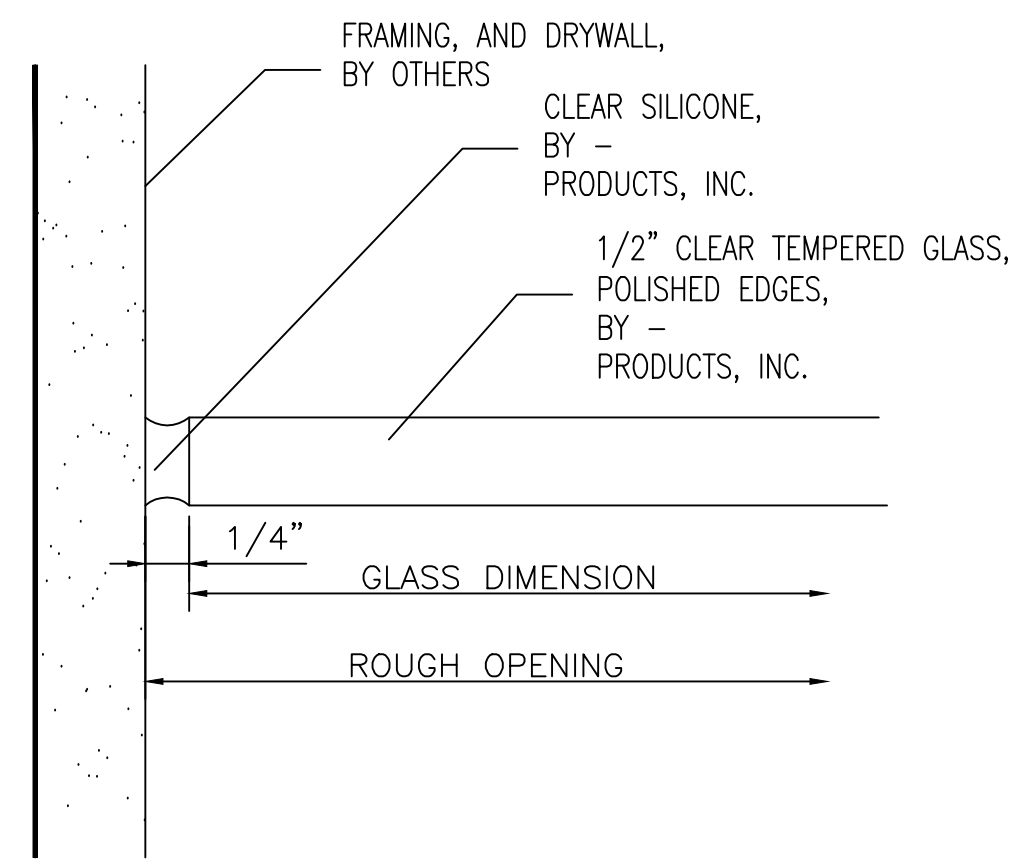
1 GLAZING AT DEAN
 ARCH. REF: 9/A604



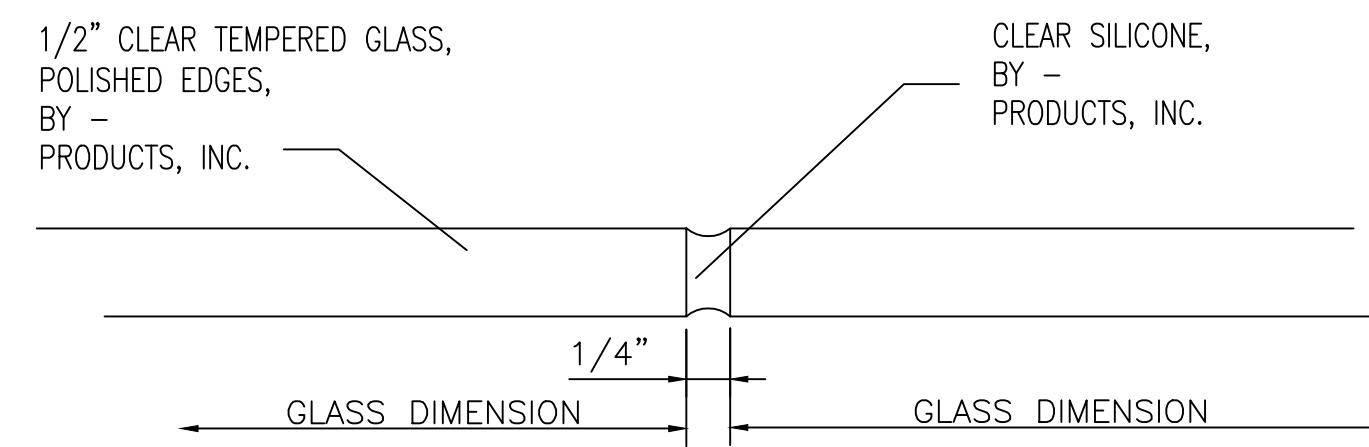
QTY: 1

2 GLAZING AT STUDENT LIFE CONFERENCE ROOM
 ARCH. REF: 8/A604

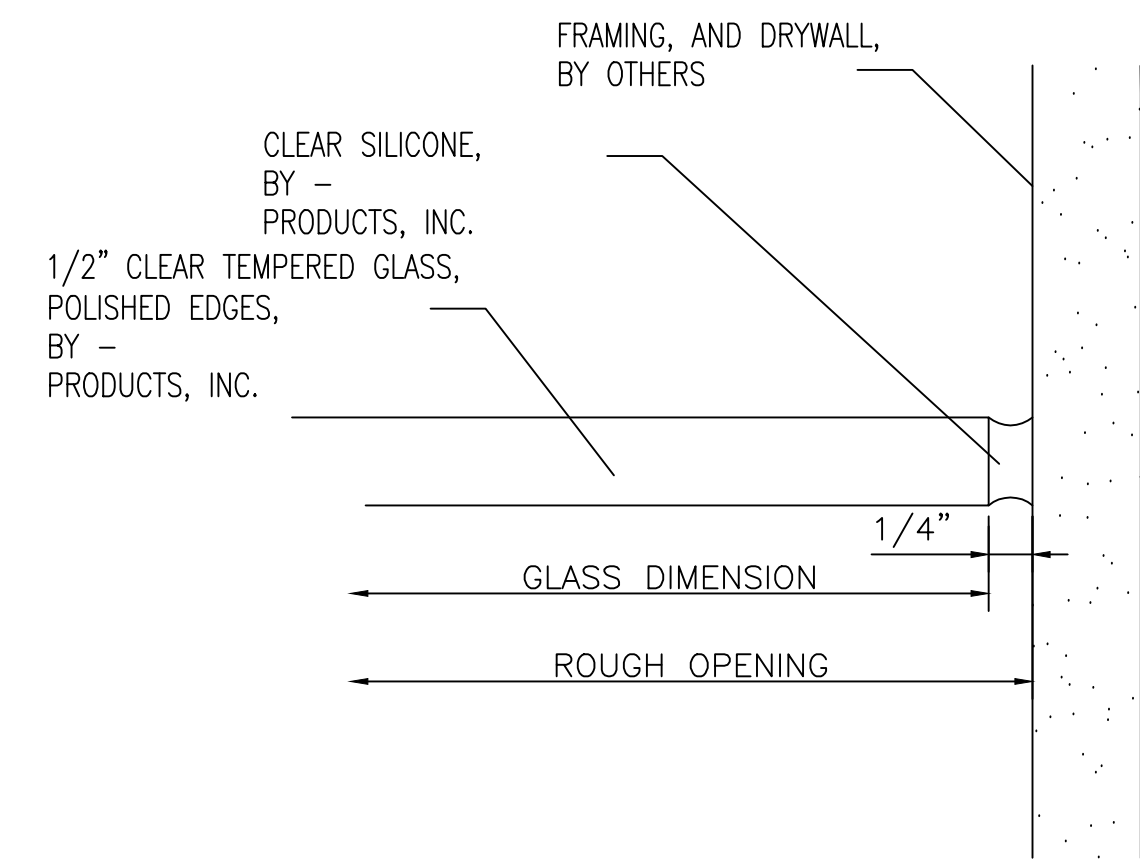
NO.	REVISION/ISSUED	DATE
1	1ST SUBMITTAL	01/31/2017



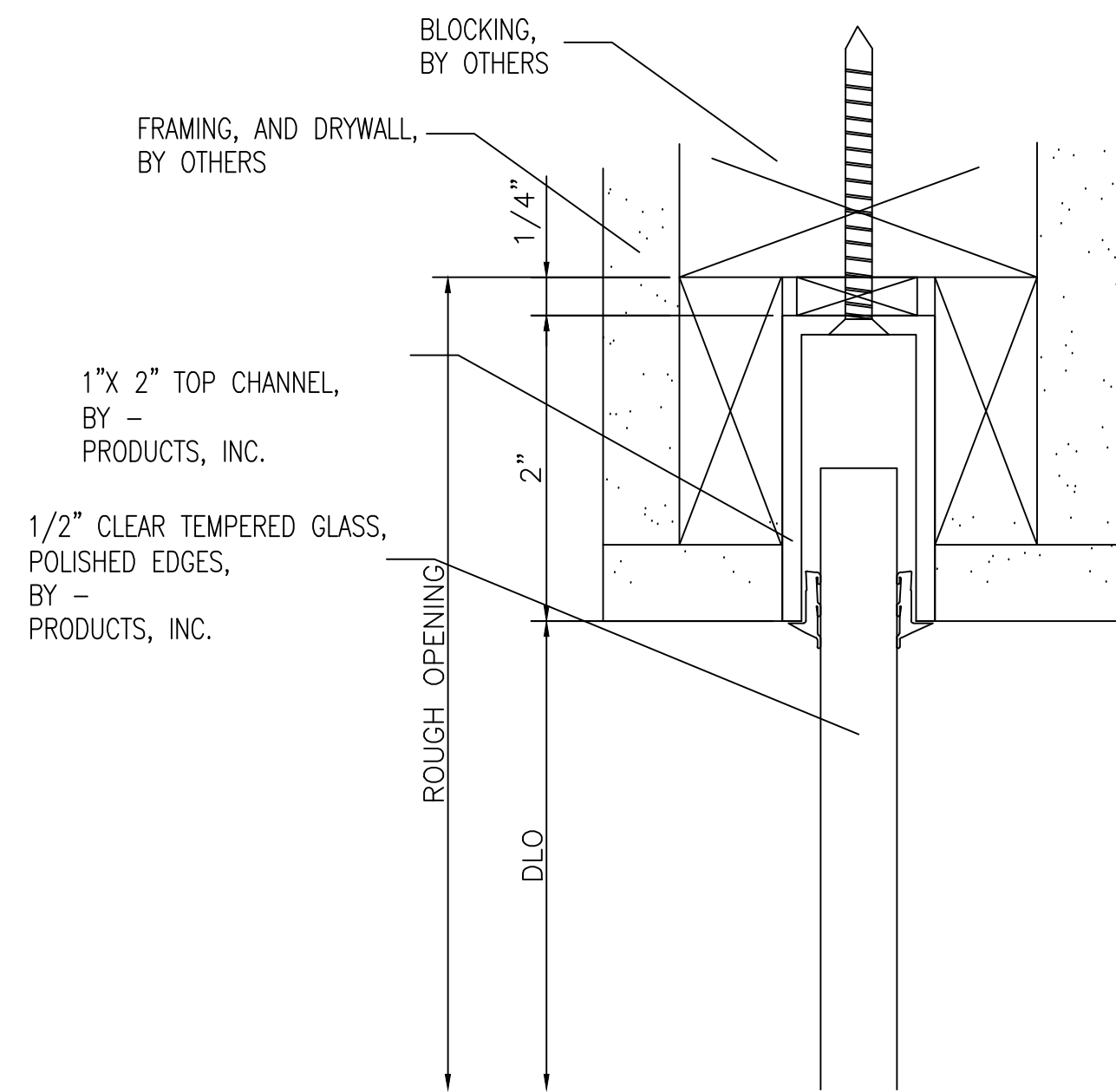
1 PLAN CUT
 @ INTERIOR SIDELIGHT LEFT JAMB



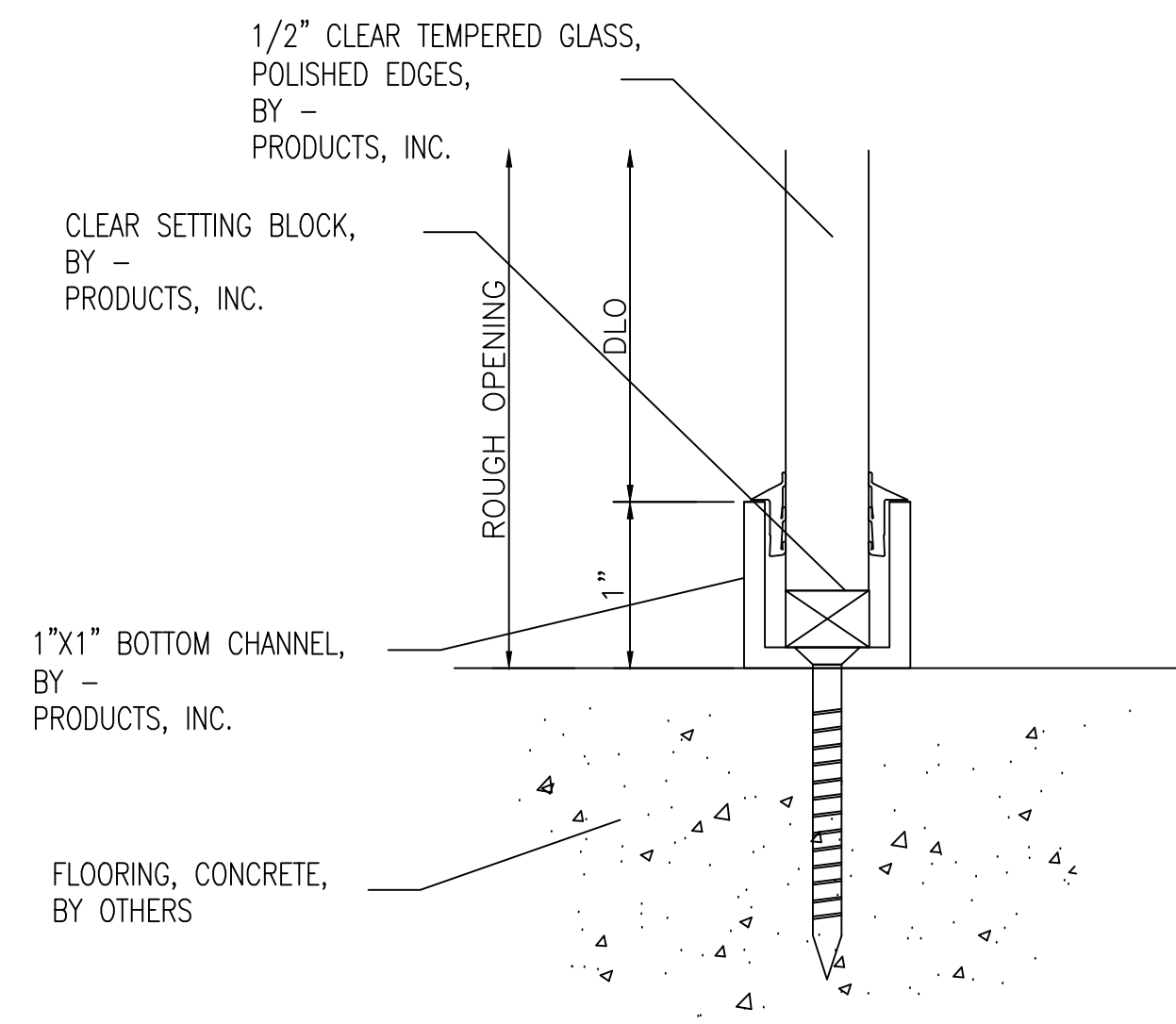
2 PLAN CUT
 @ GLASS JOINT



3 PLAN CUT
 @ INTERIOR SIDELITE RIGHT JAMB



4 SECTION CUT
 @ INTERIOR SIDELIGHT HEAD



5 SECTION CUT
 @ INTERIOR SIDELIGHT SILL

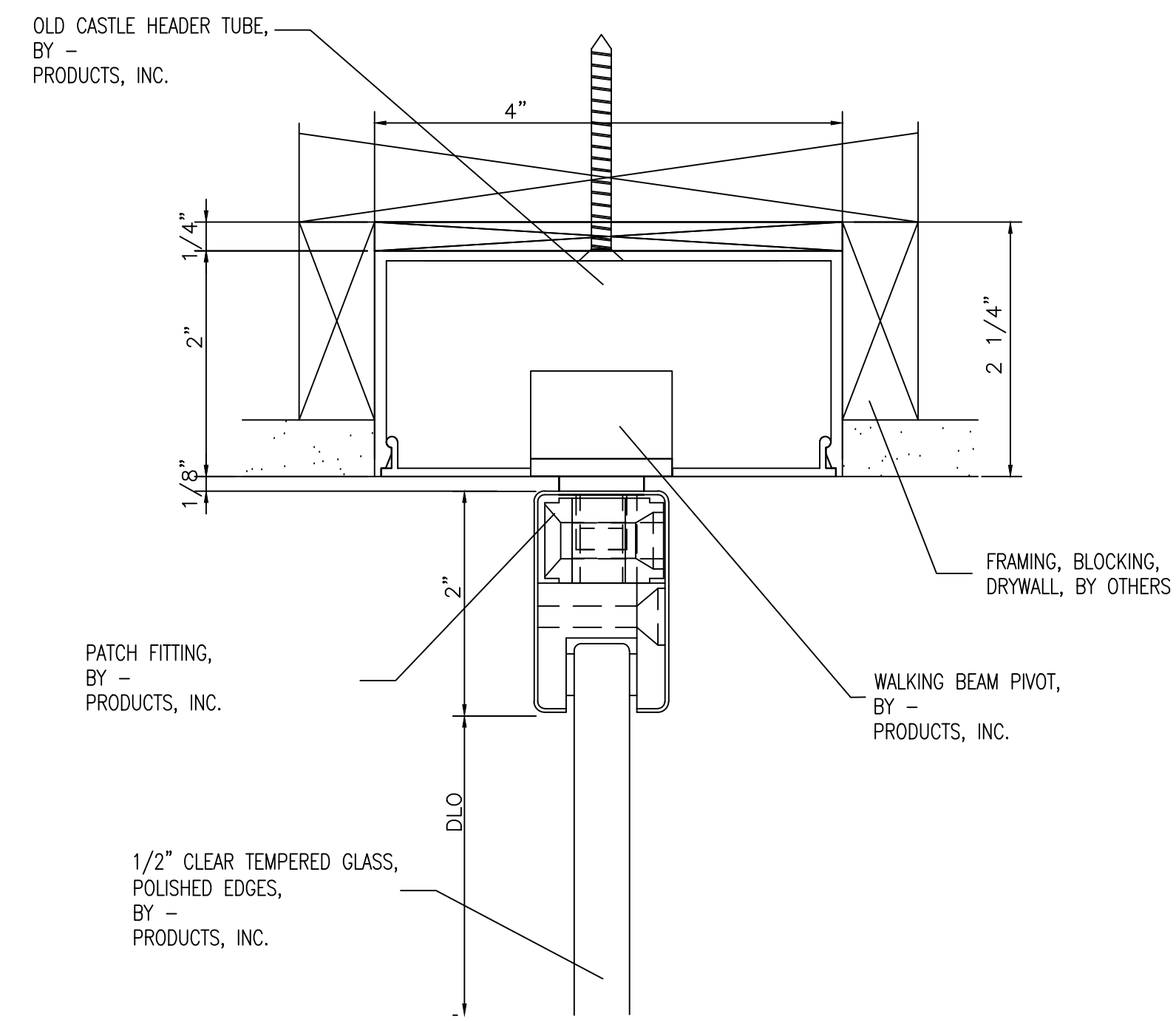
PROJECT NAME & LOCATION:	MOUNT HOLYOKE COLLEGE
	50 COLLEGE STREET
	SOUTH HADLEY, MA 01075
SHEET TITLE:	DETAILS

DRAFTSMAN:
 KS DRAFTING & DESIGN, LLC.
 KYLE SCHNECK
 HARRISBURG, PA 17110
 KYLE@KSDRAFTINGDESIGNLLC.COM
 717-228-7114
 KSDRAFTINGDESIGNLLC.COM

ARCHITECT:
 BERGMEYER

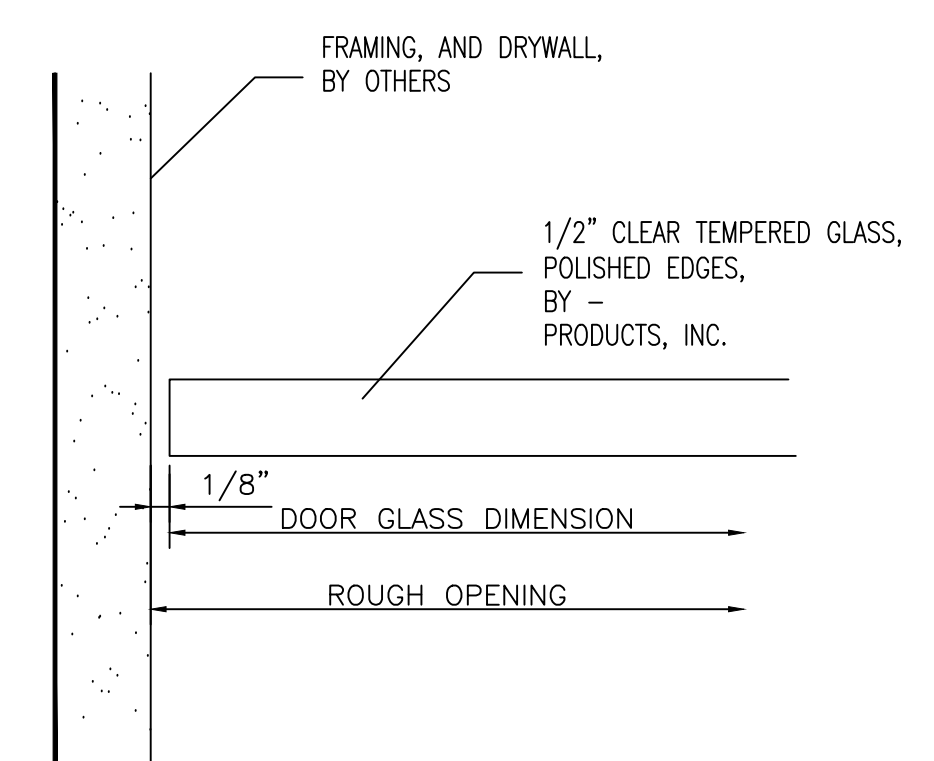
DRAWN BY: KYLE SCHNECK
 CHECKED BY: KYLE SCHNECK

DATE: 01/31/2017
 SHEET: 400

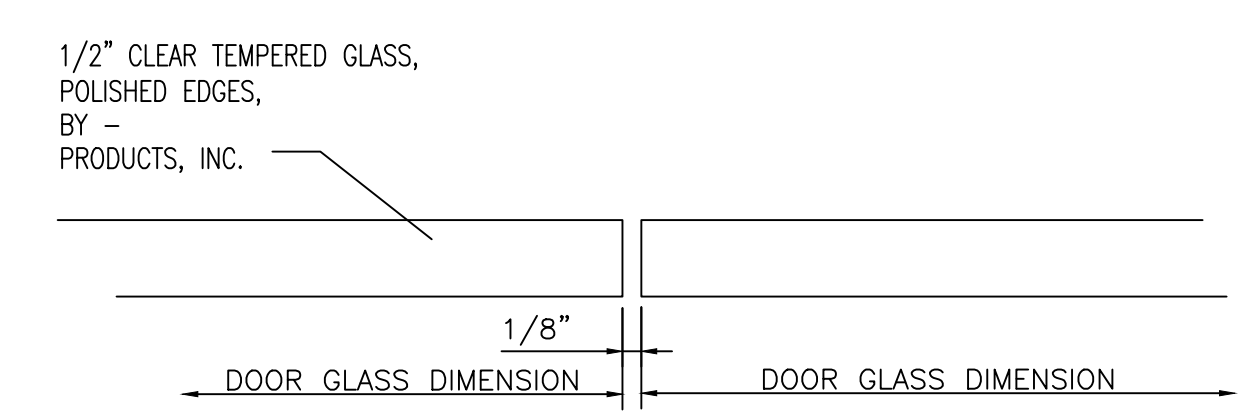


1 SECTION CUT

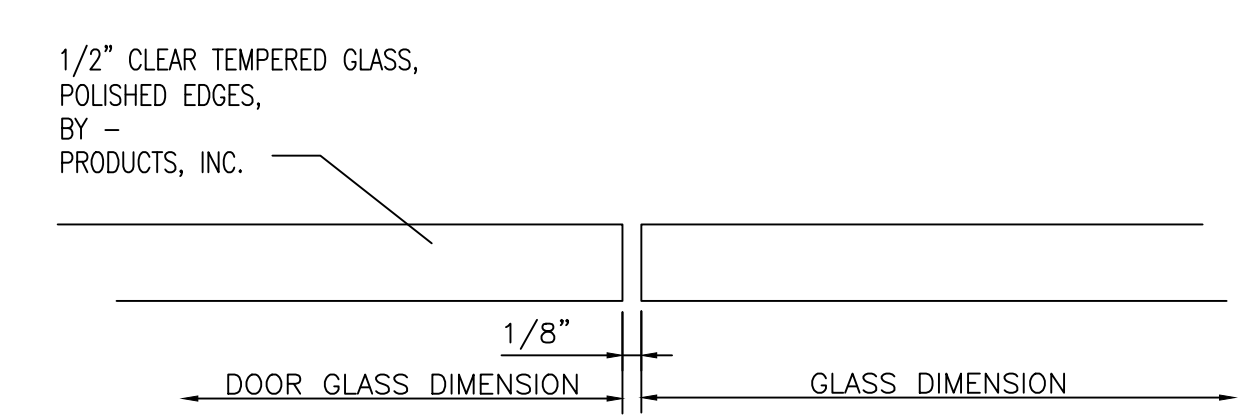
3 NOT USED



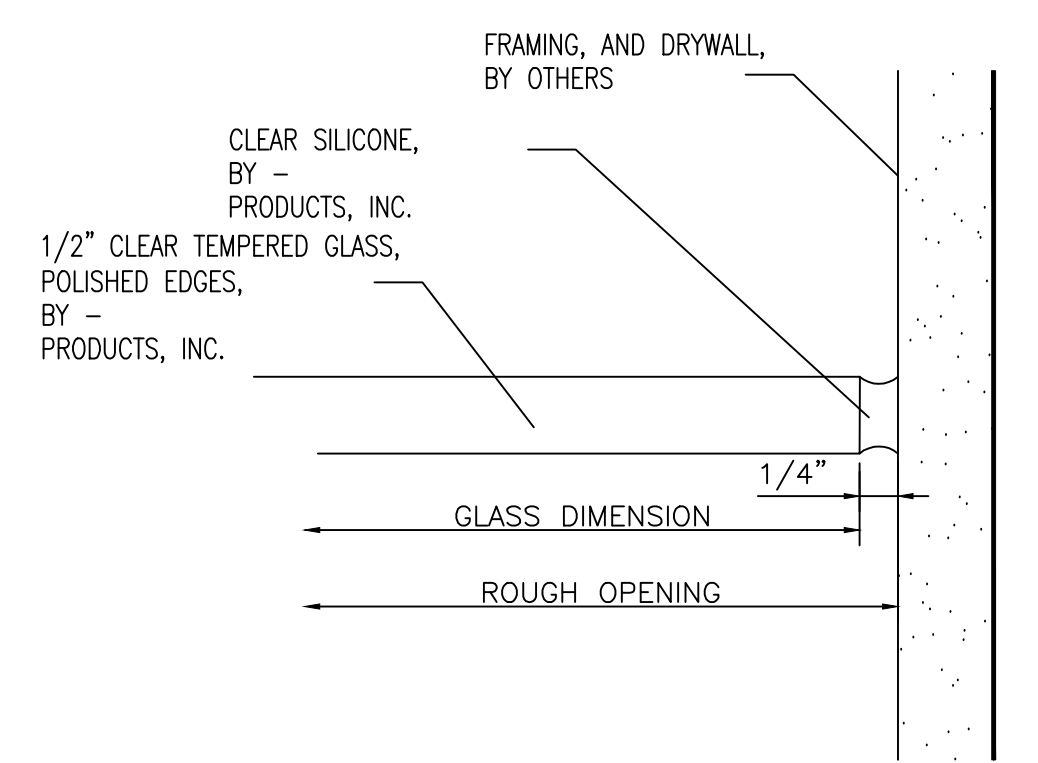
5 PLAN CUT



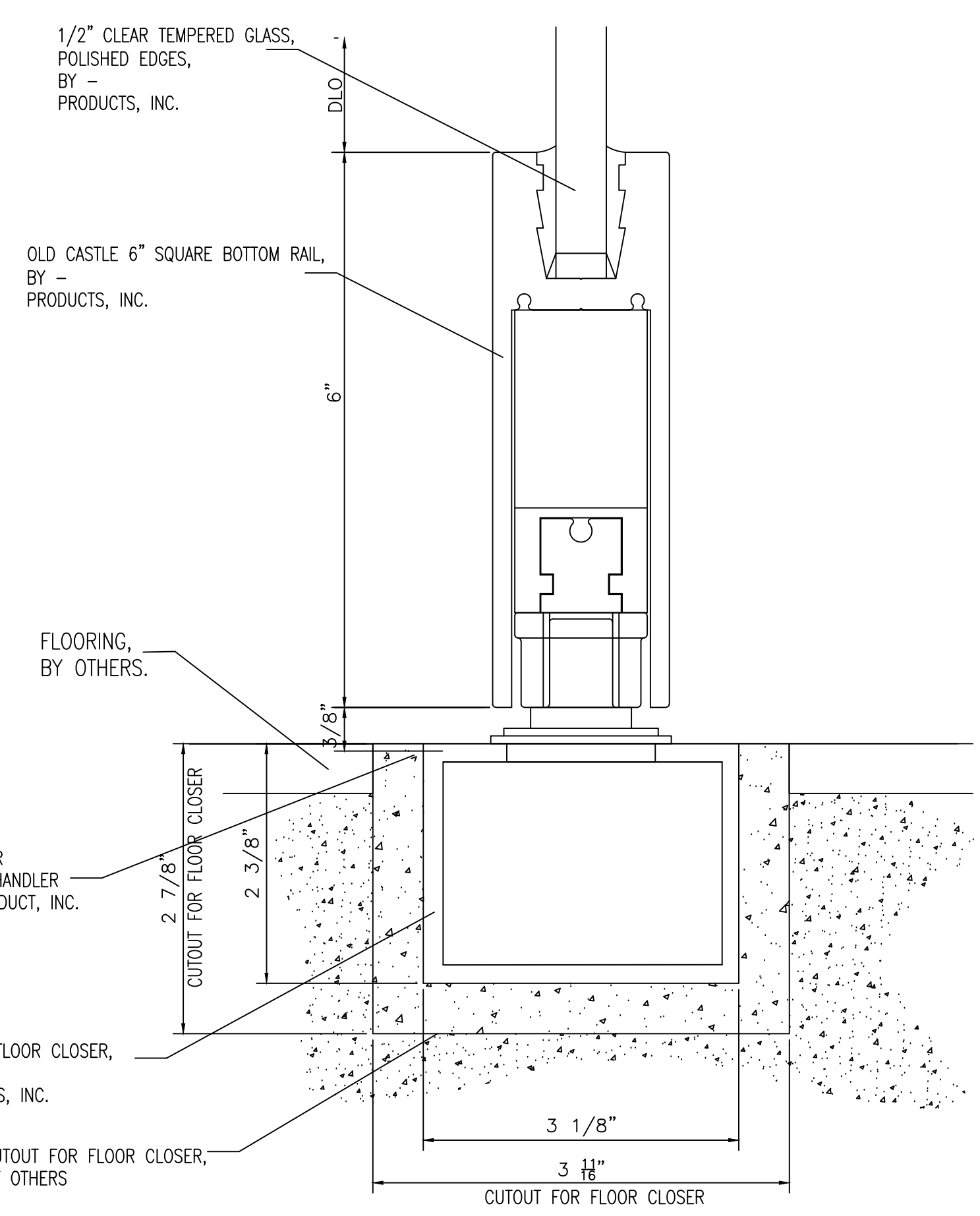
6 PLAN CUT



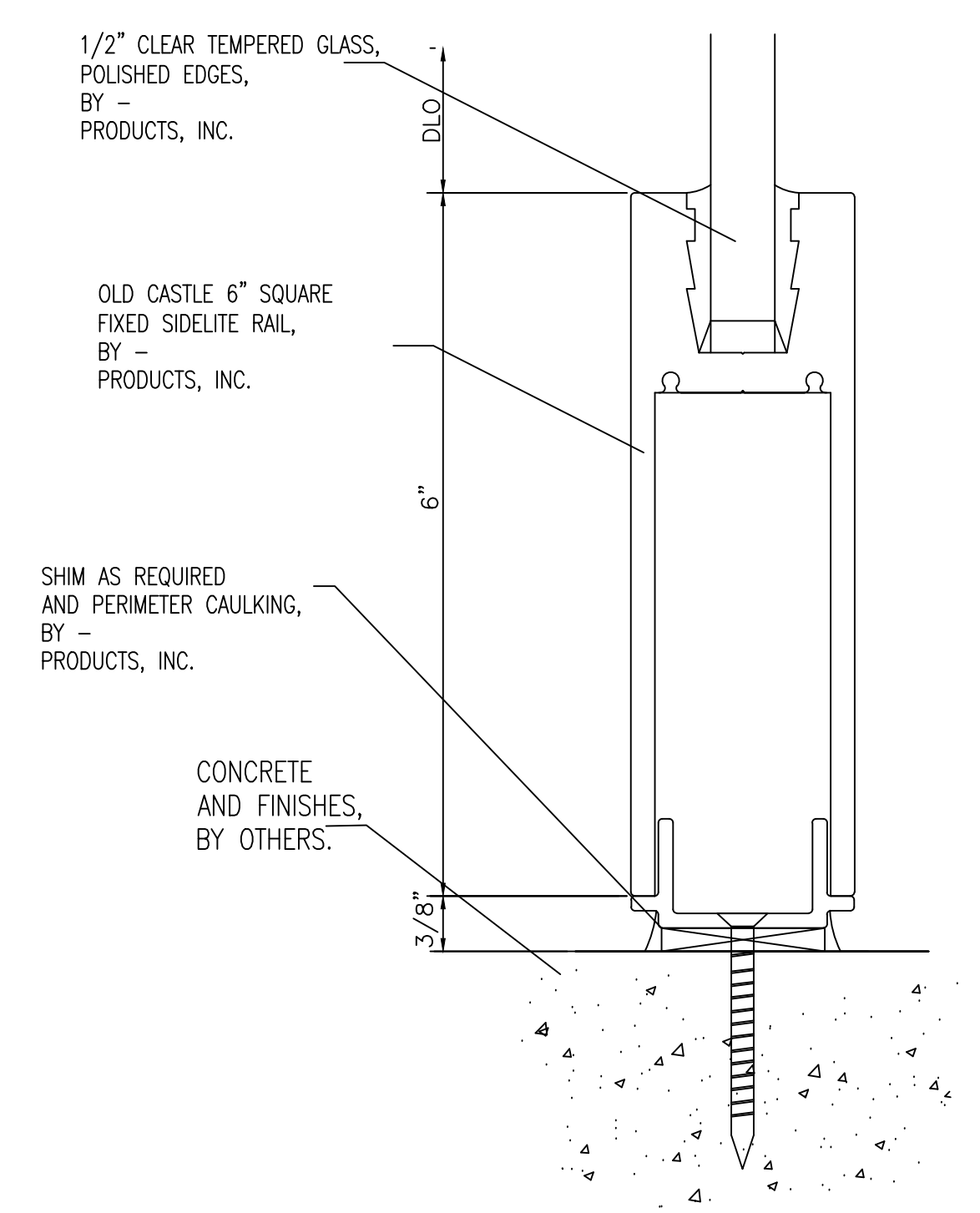
7 PLAN CUT



8 PLAN CUT



2 SECTION CUT



4 SECTION CUT

NO.	REVISION/ISSUED	DATE
1	1ST SUBMITTAL	01/31/2017

PROJECT NAME & LOCATION:
MOUNT HOLYOKE COLLEGE
50 COLLEGE STREET
SOUTH HADLEY, MA 01075

SHEET TITLE:
DETAILS

DRAFTSMAN:
 KS DRAFTING & DESIGN, LLC.
 KYLE SCHNECK
 HARRISBURG, PA 17110
 KYLE@KSDRAFTINGDESIGNLLC.COM
 717-228-7114
 KSDRAFTINGDESIGNLLC.COM

ARCHITECT:
 BERGMEYER

DRAWN BY: KYLE SCHNECK
 CHECKED BY: KYLE SCHNECK

DATE: 01/31/2017
 SHEET: 401