

SYMBOLS			
	ELEVATION NAME		
	DETAIL NAME		
	ELEVATION CALLOUT		
	SECTION CALLOUT		
	REVISED ITEM		
	REVISION NUMBER		

ABBREVIATIONS			
AFF - ABOVE FINISHED FLOOR	NTS - NOT TO SCALE		
AD - ANCHOR DIMENSION	OD - OPENING DIMENSION		
BO - BY OTHERS	OFD - OVERALL FRAME DIMENSION		
BOH - BOTTOM OF HORIZONTAL	REF - REFERENCE		
CL - CENTERLINE	RO - ROUGH OPENING		
DFS - DOOR FRAME SIZE	S/L - STOCK LENGTH		
DIM - DIMENSION	TOFF - TOP OF FINISHED FLOOR		
DLO - DAY LIGHT OPENING	TOH - TOP OF HORIZONTAL		
DL - DEAD LOAD ANCHOR	TOS - TOP OF SLAB		
DO - DOOR OPENING	TYP - TYPICAL		
FH - FRAME HEIGHT	UON - UNLESS OTHERWISE NOTED		
FW - FRAME WIDTH	VIF - VERIFY IN FIELD		
FF - FINISHED FLOOR	WD - WINDOW DIMENSION		
MO - MASONRY OPENING	WL - WIND LOAD ANCHOR		
NIC - NOT IN CONTRACT	WP - WORKING POINT		

INFORMATION AVAILABLE TO PREPARE DRAWINGS

PER ARCHITECTURAL DRAWINGS DATED - 10/11/2016
SCOPE OF WORK SHEET

NOTES TO ARCHITECT

INTERIOR CAULKING BY OTHERS

MATERSEAL NP1 CAULKING WILL BE USED AT THE EXTERIOR JOINTS OF THE ALUMINUM FRAMES.

NOTES TO GENERAL CONTRACTOR

PLEASE CONFIRM THAT THE SURROUNDING CONDITIONS OUTLINED IN THESE DRAWINGS ARE ACCURATE TO THE TRUE FIELD CONDITIONS, AND THAT ALL ROUGH OPENINGS SHOWN ARE ACCURATE TO FIELD CONDITIONS AND SIZES.

INTERIOR CAULKING BY OTHERS

GENERAL NOTES

1.) LIMITATIONS: THESE DRAWINGS REPRESENT AN INTERPRETATION OF ARCHITECTURAL INFORMATION MADE AVAILABLE TO KS DRAFTING & DESIGN, LLC. KS DRAFTING & DESIGN, LLC MAKES NO REPRESENTATION OR WARRANTY TO THE PERFORMANCE OR COMPLETENESS OF THE ARCHITECTURAL DETAILS OF THE SURROUNDING AREAS.

2.) CONFIRMATION: ANY LISTED TOLERANCES, DIMENSIONS, DEFLECTION, ANCHORAGE, REFERENCES, AND FUNCTIONAL PERFORMANCE REQUIREMENTS SHALL BE CONFIRMED WITH THE ARCHITECT, AND VALIDATED BY FIELD MEASUREMENTS TO ENSURE SIZING, PERFORMANCE COMPLIANCE, AND ARCHITECTURAL INTENT.

3.) ACCEPTANCE: FINAL APPROVAL OF THESE DRAWINGS CONSTITUTES ACCEPTANCE OF ALL DEVIATIONS, IF ANY, AND ALL WORK CONTAINED HEREIN.

4.) USE: KS DRAFTING & DESIGN, LLC ASSUMES NO RESPONSIBILITY FOR THE USE OF THESE DRAWINGS BY OTHER TRADES.

5.) COMPLIANCE: ARCHITECT, ENGINEER, GENERAL CONTRACTOR, AND MISC. TRADES ARE RESPONSIBLE FOR THE SELECTION, INSTALLATION, AND ADJUSTMENT OF SYSTEMS TO ENSURE COMPLIANCE WITH ALL APPLICABLE DESIGN, ENERGY, RATING, BUILDING, AND/OR SAFETY CODES.

6.) QUALITY CONSTRUCTION: ROUGH OPENINGS MUST BE BUILT PLUMB, SQUARE, AND LEVEL. OPENINGS MUST BE BUILT TO THE ROUGH OPENING (R.O.) SIZES SHOWN HEREIN FOR PROPER FIT.

7.) RELEASE OF LIABILITY: THESE DRAWINGS HAVE BEEN PREPARED BY KS DRAFTING & DESIGN, LLC FOR USE BY THE CUSTOMER. THE CUSTOMER AGREES TO GLASSUME ALL LIABILITY AND ANY CLAIMS THAT MAY ARISE FROM THE USE OF, OR INFORMATION CONTAINED IN THESE DRAWINGS.

NO.	REVISION/ISSUED	DATE
1	1ST SUBMITTAL	01/14/2017

PROJECT NAME & LOCATION:
HIGHLAND ISD
ROSCOE, TEXAS

SHEET TITLE:
COVER SHEET

PROJECT TITLE:
HIGHLAND ISD

PROJECT ADDRESS:
ROSCOE, TX

DOOR HARDWARE	
DOOR #	HARDWARE PACKAGE DESCRIPTION
TYPE D1:	MID PANEL PANIC GEAR HINGE PULL
100A-1	SURFACE MOUNTED DOOR CLOSER
100A-2	THRESHOLD
120A-1	
120A-2	

GLASS INFORMATION	
MARK	GLASS DESCRIPTION
	3/4" CLEAR TEMPERED
	1" INSULATED UNIT: 3/4" GRAYLITE II, TEMPERED 3/8" AIR SPACER 3/4" CLEAR, TEMPERED

MATERIALS

TUBELITE - WIDE STILE, 1 3/4" THICK, NON THERMAL, 10" BOTTOM RAIL, STOREFRONT ENTRANCE DOORS.

TUBELITE - T14000 EXTERIOR STOREFRONT - 2" X 4 1/2" THERMAL CENTER SET FRAMING.

ALL FINISHES TO BE: CLASS I DARK BRONZE ANODIZED

TABLE OF CONTENTS	
100 COVER SHEET	400 DETAILS
200 SCIENCE ANNEX - FLOOR PLAN	401 DETAILS
201 OVERALL BUILDING ELEVATIONS	
202 ENLARGED ELEVATIONS	
203 ENLARGED ELEVATIONS	
204 ENLARGED ELEVATIONS	

DRAWN BY:

KS DRAFTING & DESIGN, LLC
KYLE SCHNECK
HARRISBURG, PA 17110
KYLE@KSDRAFTINGDESIGNLLC.COM
717-228-7114

ARCHITECT:

CADCO

DRAWN BY: KYLE SCHNECK
CHECKED BY: KYLE SCHNECK

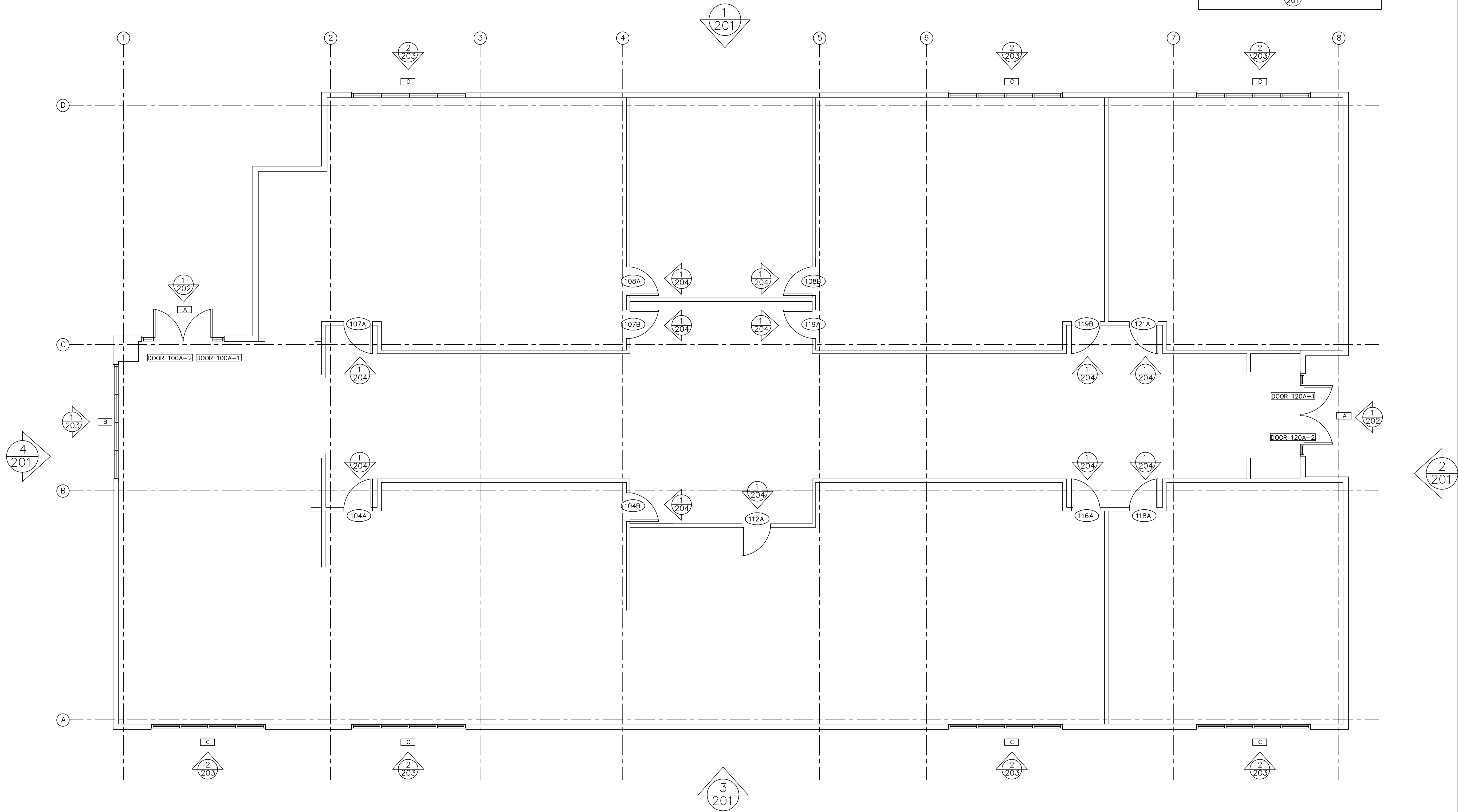
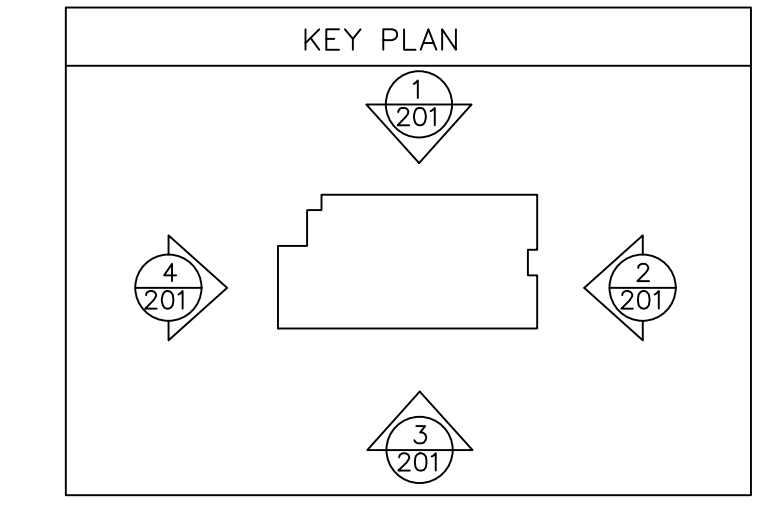
DATE: 01/14/2017

SHEET: 100

NO.	REVISION/ISSUED	DATE
1	1ST SUBMITTAL	01/14/2017

PROJECT NAME & LOCATION:
**HIGHLAND ISD
 ROSCOE, TEXAS**

SHEET TITLE:
FLOOR PLAN



1 SCIENCE ANNEX FLOOR PLAN
 ARCH. REF.: M1/A101.A

DRAWN BY:
 KS DRAFTING & DESIGN, LLC
 KYLE SCHNECK
 HARRISBURG, PA 17110
 KYLE@KSDRAFTINGDESIGNLLC.COM
 717-228-7114

ARCHITECT:
 CADCO

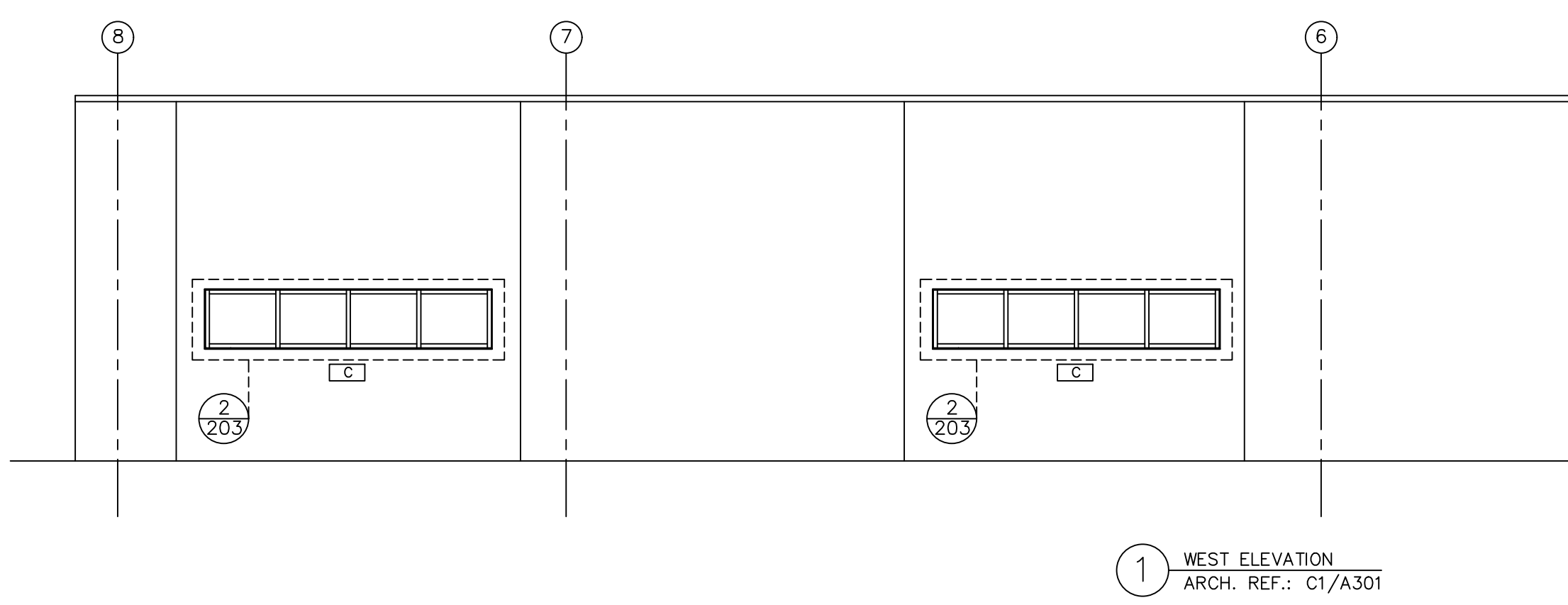
DRAWN BY: KYLE SCHNECK
 CHECKED BY: KYLE SCHNECK

DATE: 01/14/2017
 SHEET: 200

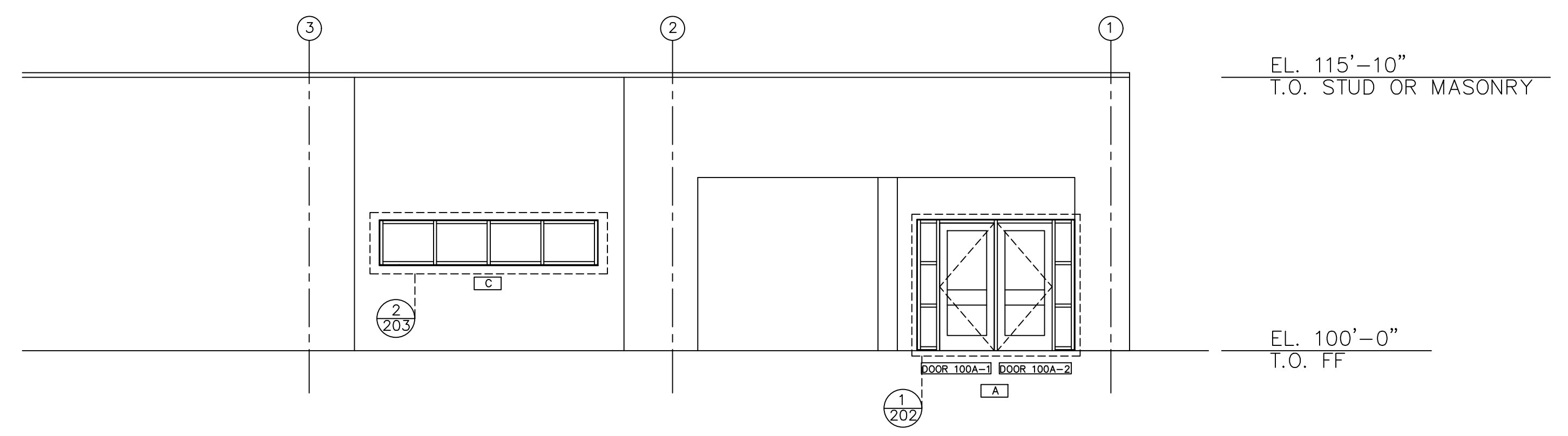
NO.	REVISION/ISSUED	DATE
1	1ST SUBMITTAL	01/14/2017

PROJECT NAME & LOCATION:
**HIGHLAND ISD
 ROSCOE, TEXAS**

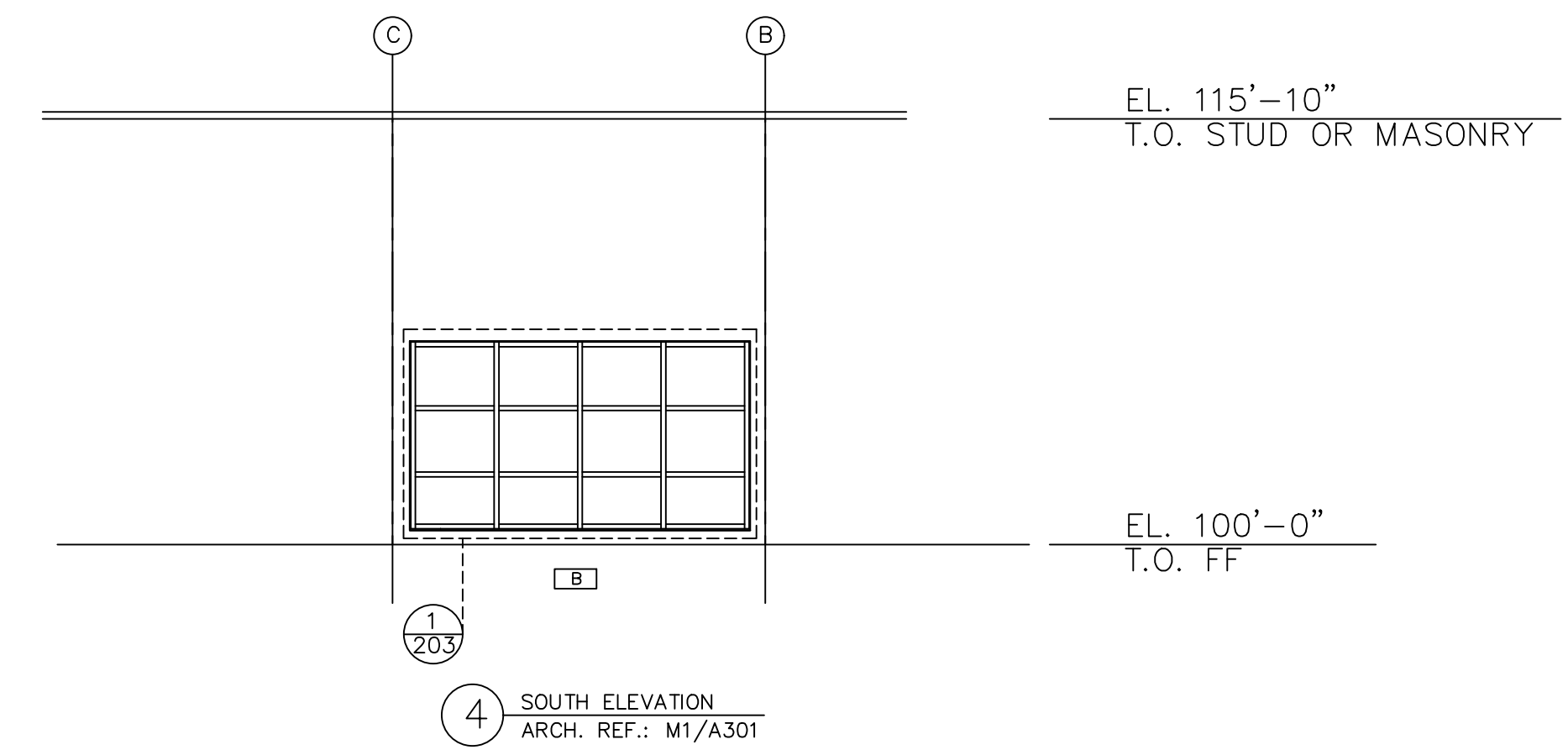
SHEET TITLE:
ELEVATIONS



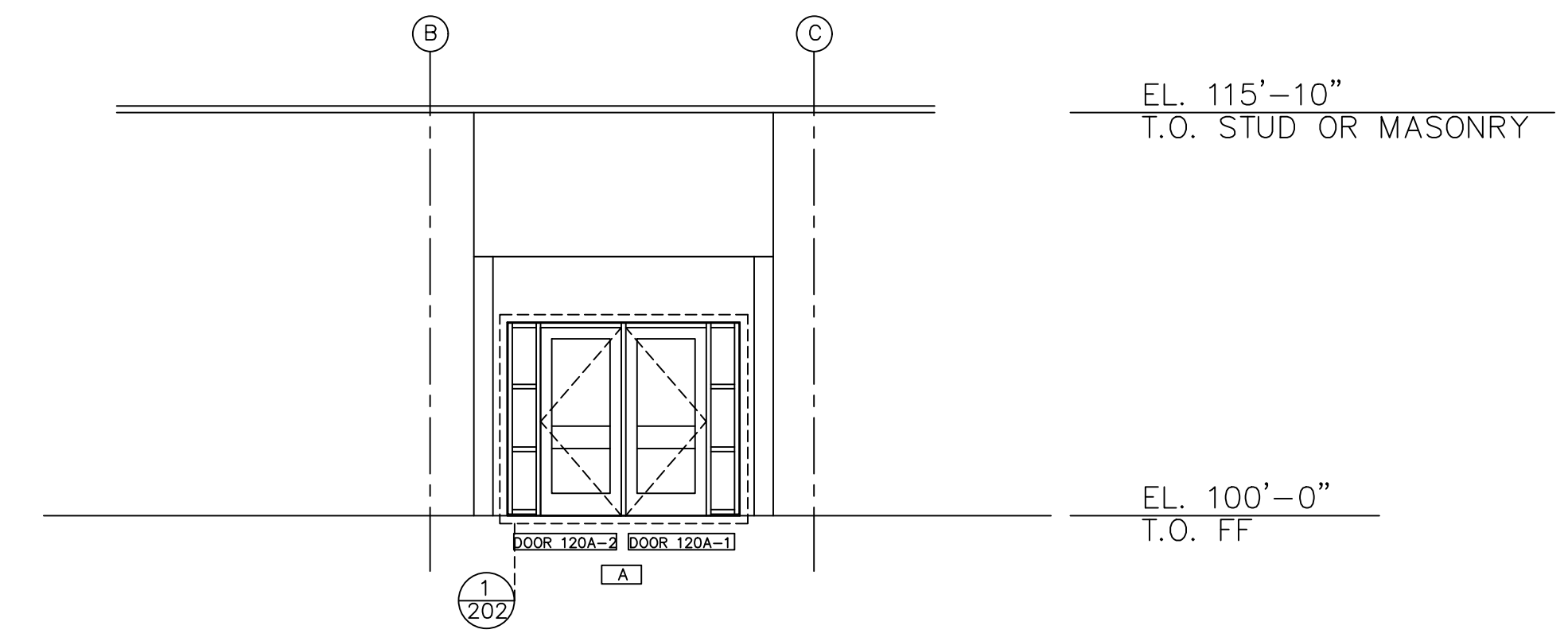
1 WEST ELEVATION
 ARCH. REF.: C1/A301



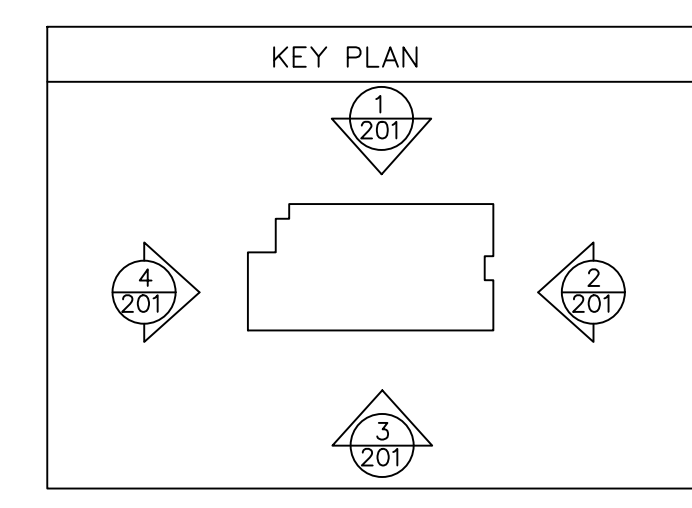
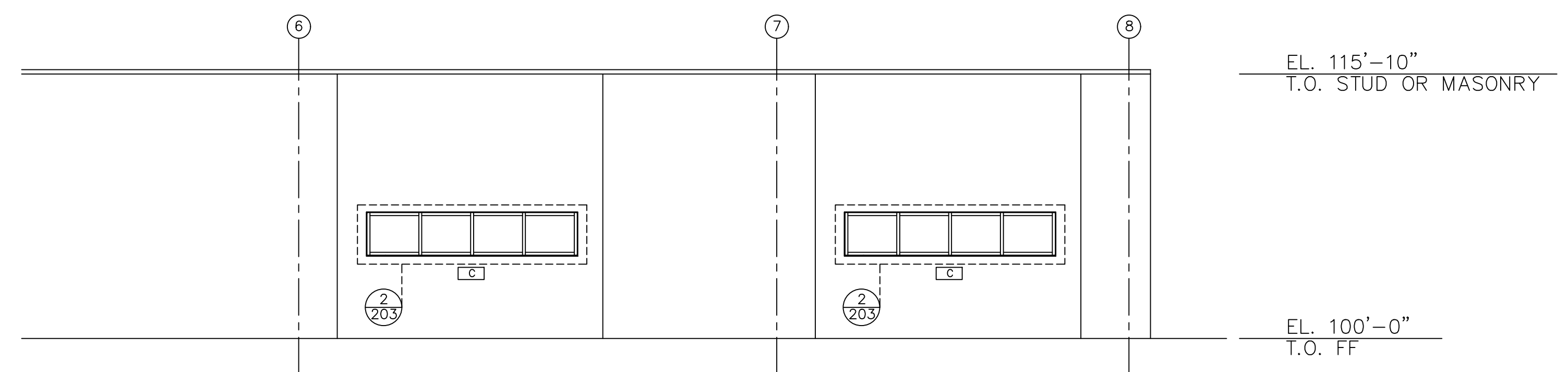
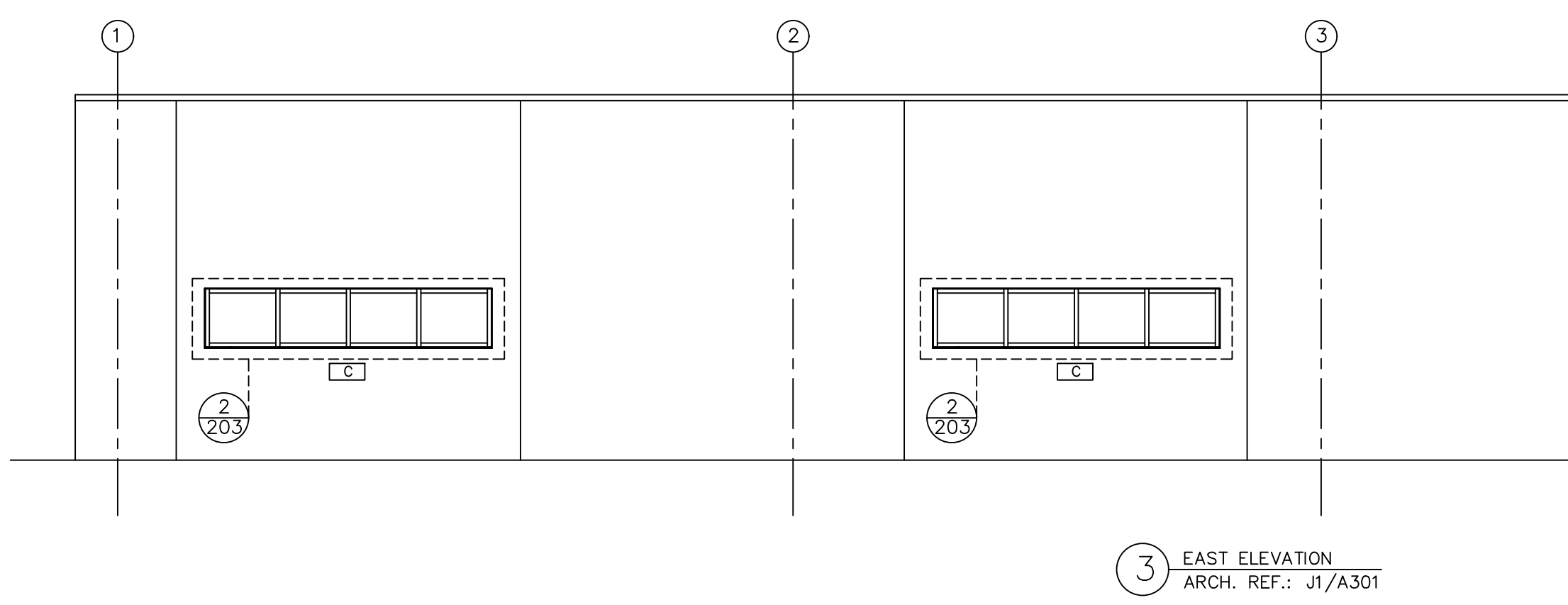
2 NORTH ELEVATION
 ARCH. REF.: F1/A301



4 SOUTH ELEVATION
 ARCH. REF.: M1/A301



3 EAST ELEVATION
 ARCH. REF.: J1/A301

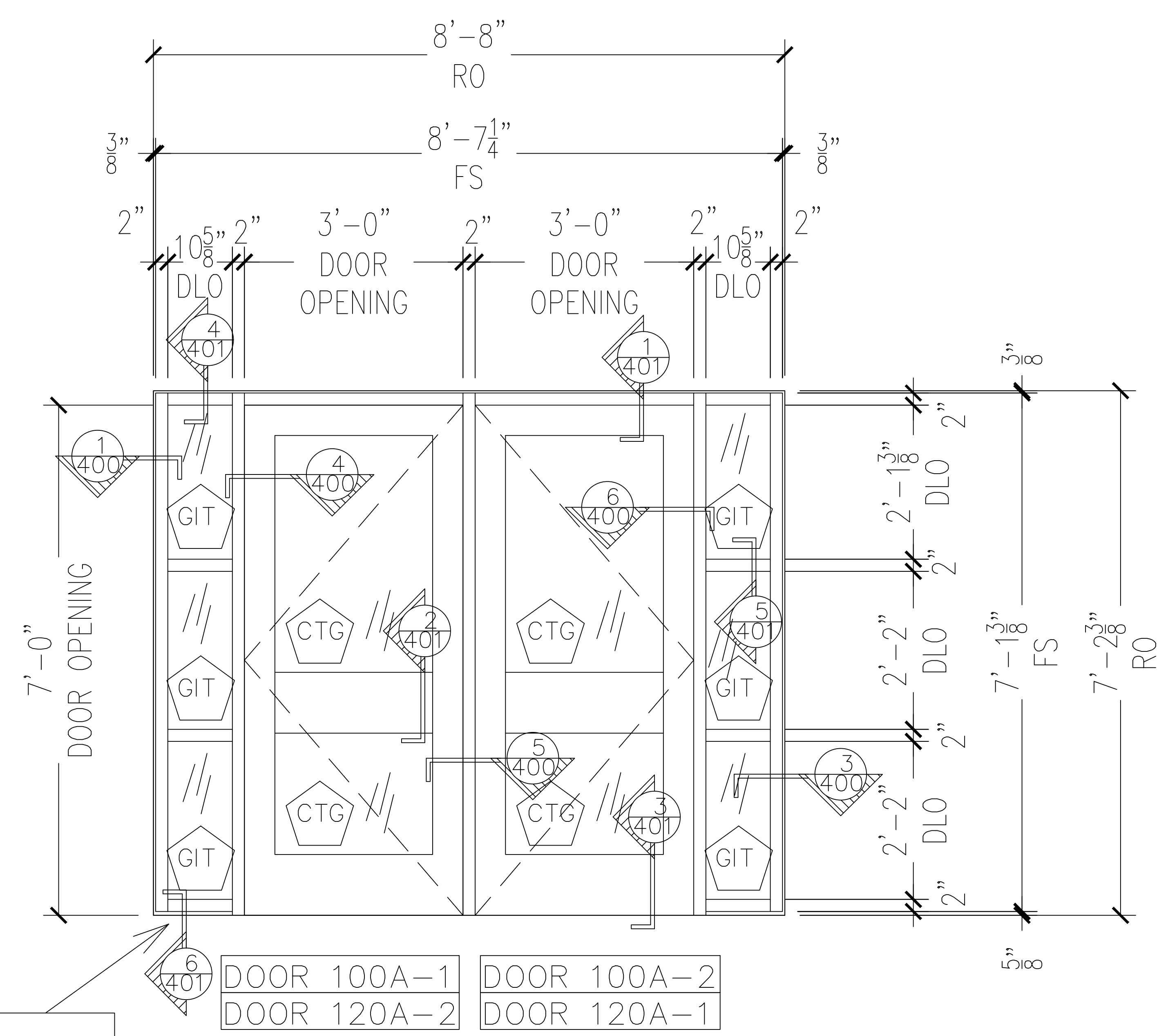


DRAWN BY:
 KS DRAFTING & DESIGN, LLC
 KYLE SCHNECK
 HARRISBURG, PA 17110
 KYLE@KSDRAFTINGDESIGNLLC.COM
 717-228-7114

ARCHITECT:
 CADCO

DRAWN BY: KYLE SCHNECK
 CHECKED BY: KYLE SCHNECK

DATE: 01/14/2017
 SHEET: 201



ALUMINUM SILL PAN
& FLASHING AT THIS DETAIL

DOOR 100A-1 DOOR 100A-2
DOOR 120A-2 DOOR 120A-1

TUBELITE WIDE STILE DOORS
TUBELITE T14000 SERIES STOREFRONT
2" X 4 1/2" THERMAL, CENTER SET FRAMING

QTY 2

1 ELEVATION - WINDOW A
ARCH. REF.: WINDOW A/A801

NO.	REVISION/ISSUED	DATE
1	1ST SUBMITTAL	01/14/2017

PROJECT NAME & LOCATION:
HIGHLAND ISD
ROSCOE, TEXAS

SHEET TITLE:
ELEVATIONS

DRAWN BY:
KS DRAFTING & DESIGN, LLC
KYLE SCHNECK
HARRISBURG, PA 17110
KYLE@KSDRAFTINGDESIGNLLC.COM
717-228-7114

ARCHITECT:
CADCO

DRAWN BY: KYLE SCHNECK
CHECKED BY: KYLE SCHNECK

DATE: 01/14/2017 SHEET: 202

NO.	REVISION/ISSUED	DATE
1	1ST SUBMITTAL	01/14/2017

PROJECT NAME & LOCATION:
**HIGHLAND ISD
 ROSCOE, TEXAS**

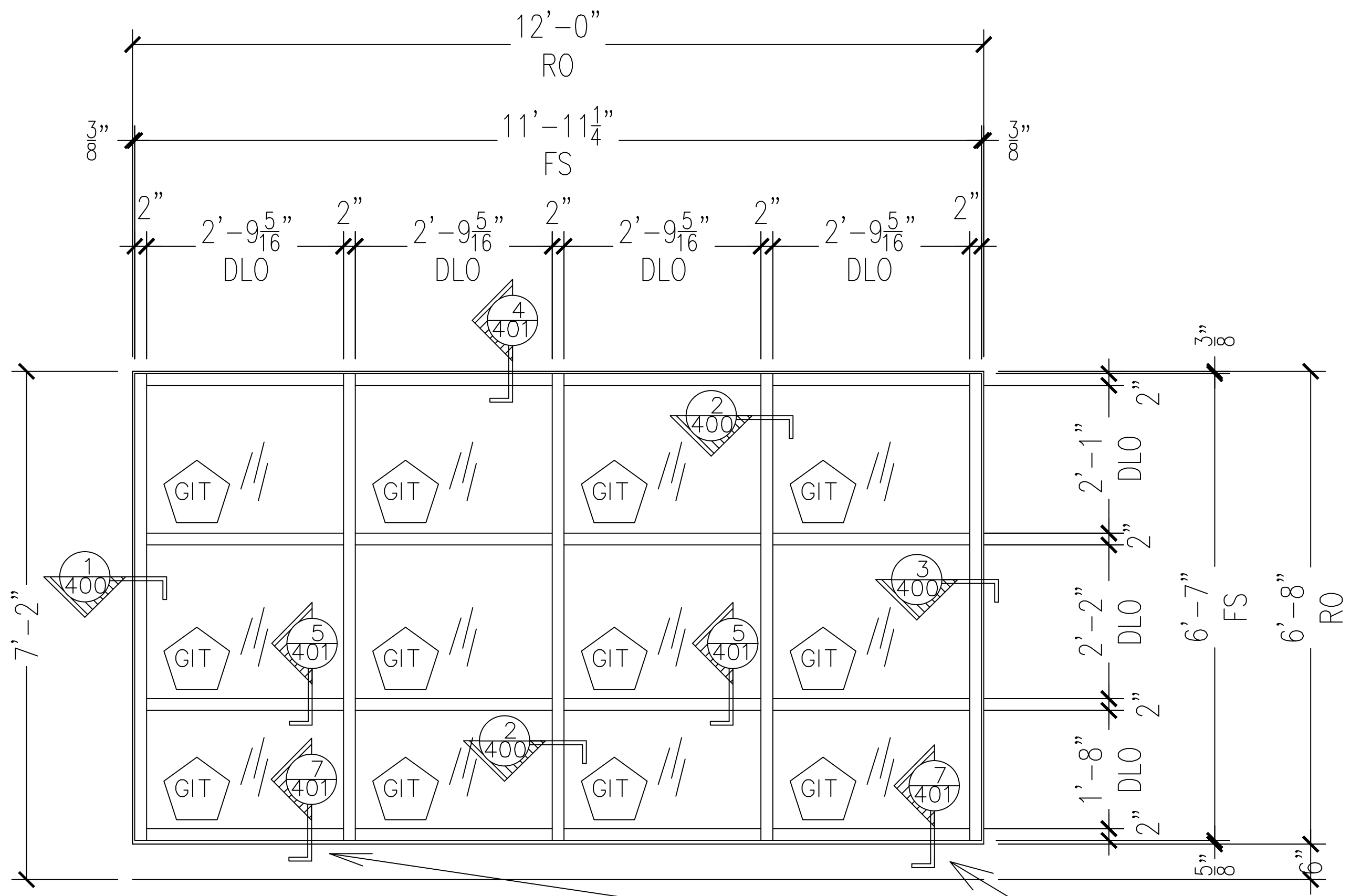
SHEET TITLE:
ELEVATIONS

DRAWN BY:
 KS DRAFTING & DESIGN, LLC
 KYLE SCHNECK
 HARRISBURG, PA 17110
 KYLE@KSDRAFTINGDESIGNLLC.COM
 717-228-7114

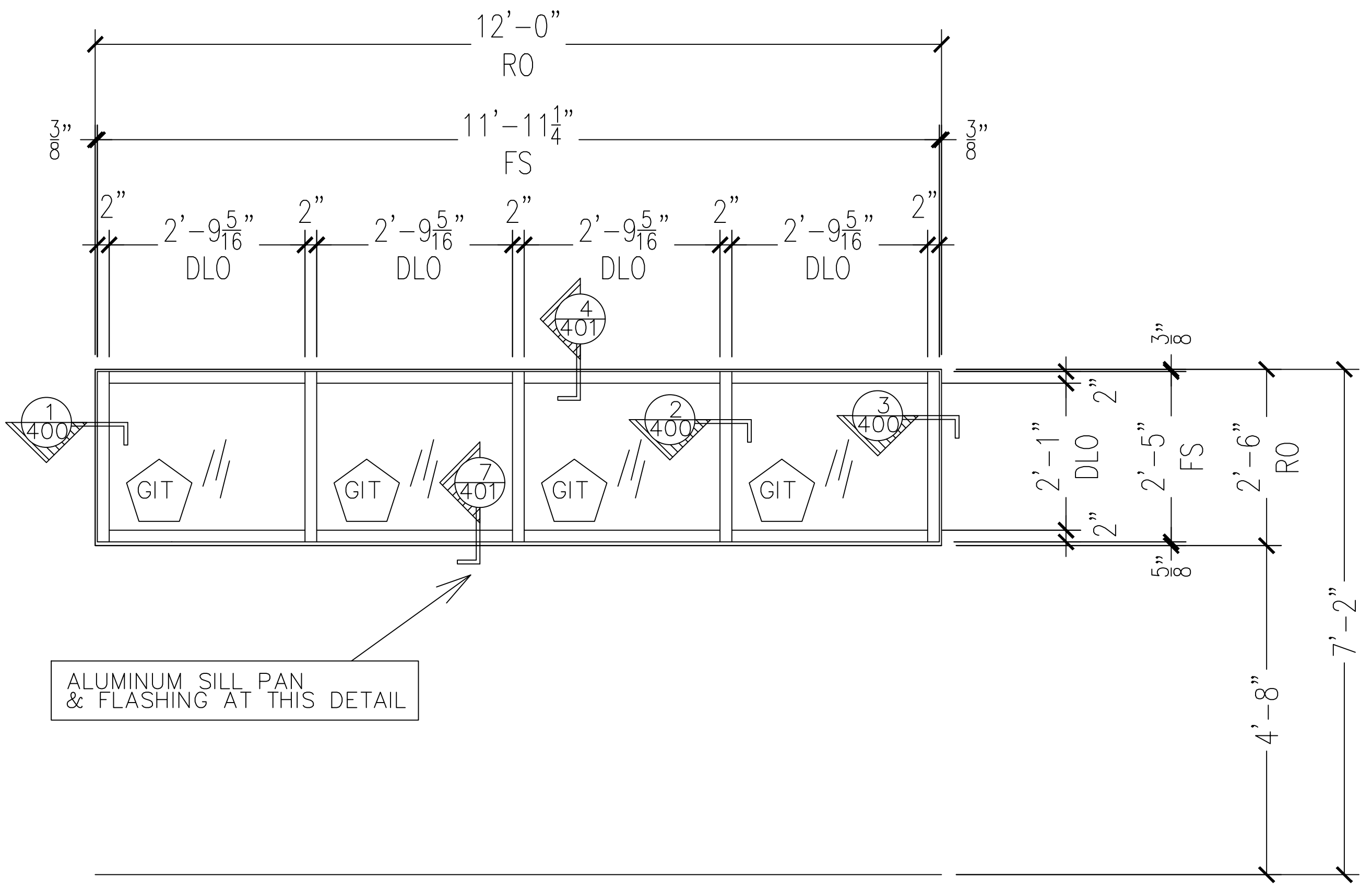
ARCHITECT:
 CADCO

DRAWN BY: KYLE SCHNECK
 CHECKED BY: KYLE SCHNECK

DATE: 01/14/2017
 SHEET: **203**

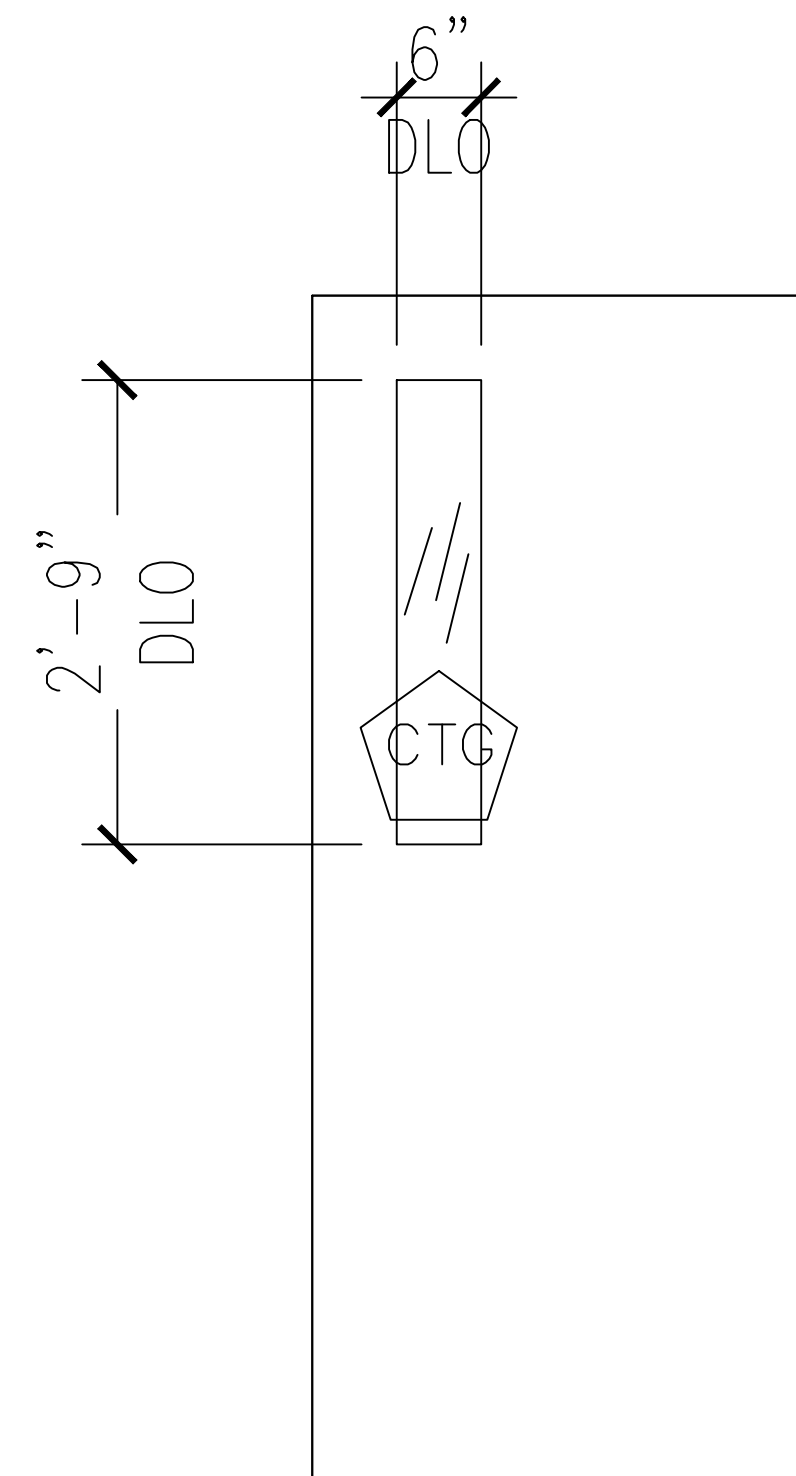


TUBELITE T14000 SERIES STOREFRONT
 2" X 4 1/2" THERMAL, CENTER SET FRAMING
 QTY 1
1 ELEVATION - WINDOW B
 ARCH. REF.: WINDOW B/A801



TUBELITE T14000 SERIES STOREFRONT
 2" X 4 1/2" THERMAL, CENTER SET FRAMING
 QTY 7
2 ELEVATION - WINDOW C
 ARCH. REF.: WINDOW C/A801

NO.	REVISION/ISSUED	DATE
1	1ST SUBMITTAL	01/14/2017



- 104A
- 104B
- 107A
- 107B
- 108A
- 108B
- 112A
- 116A
- 118A
- 119A
- 119B
- 121A

QTY 12

1 DOOR TYPE D-2
 ARCH. REF.: D-2/A801

DOORS AND FRAMES BY OTHERS,
 GLASS BY -.

PROJECT NAME & LOCATION:
 HIGHLAND ISD
 ROSCOE, TEXAS

SHEET TITLE:
 ELEVATIONS

DRAWN BY:
 KS DRAFTING & DESIGN, LLC
 KYLE SCHNECK
 HARRISBURG, PA 17110
 KYLE@KSDRAFTINGDESIGNLLC.COM
 717-228-7114

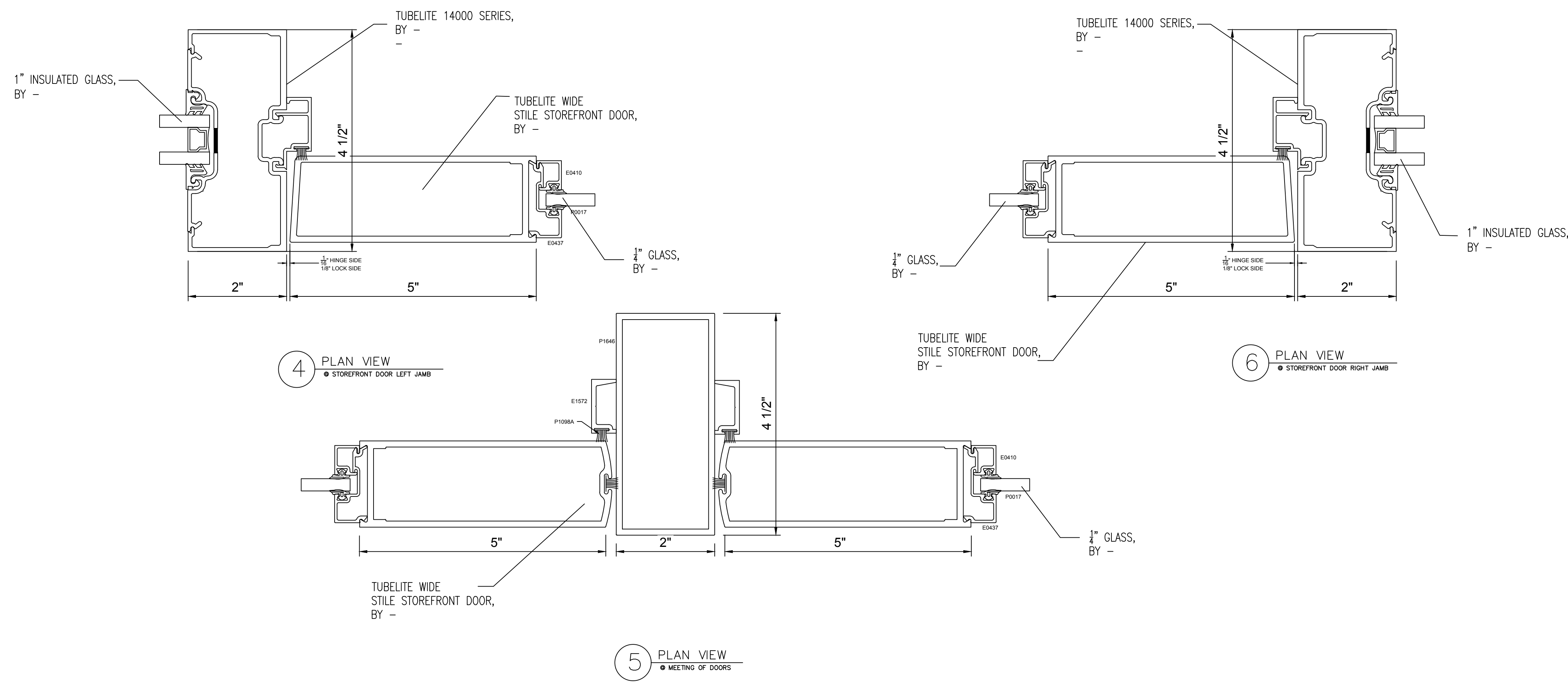
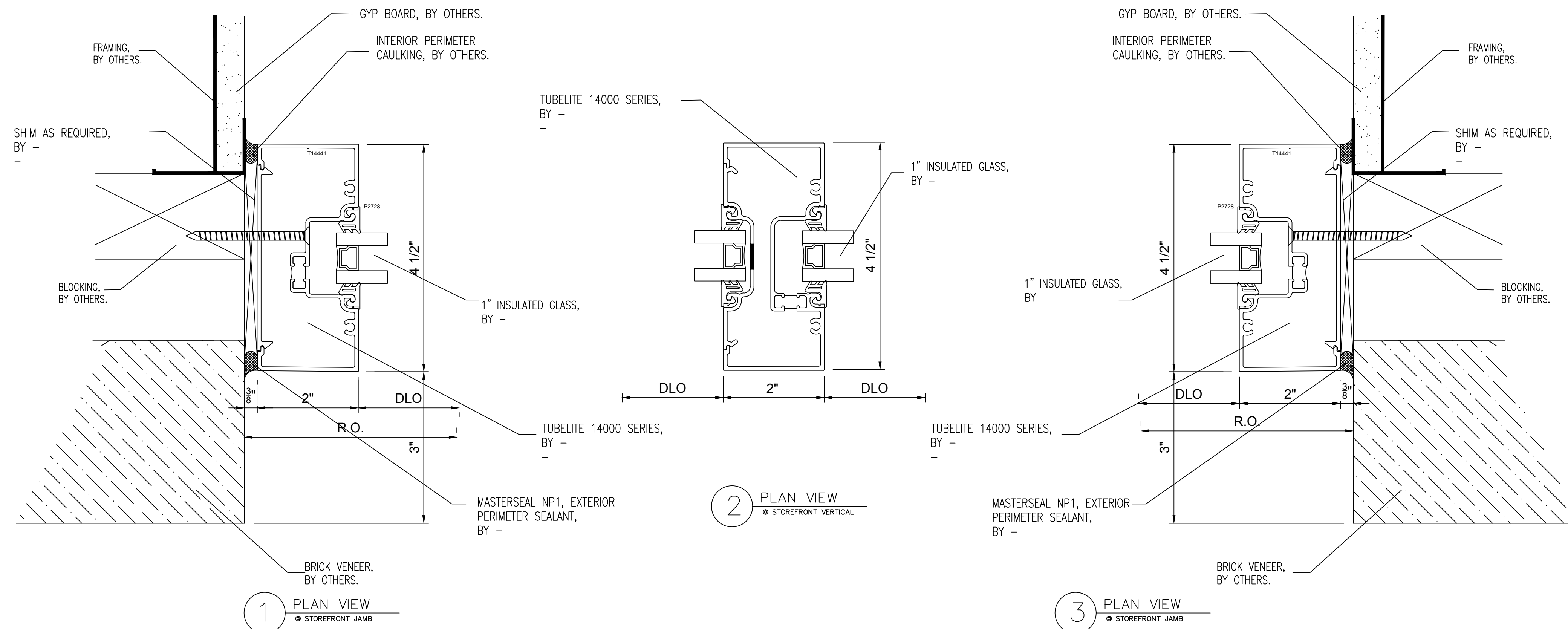
ARCHITECT:
 CADCO

DRAWN BY: KYLE SCHNECK
 CHECKED BY: KYLE SCHNECK

DATE: 01/14/2017

SHEET:
 204

NO.	REVISION/ISSUED	DATE
1	1ST SUBMITTAL	01/14/2017



PROJECT NAME & LOCATION:
HIGHLAND ISD
ROSCOE, TEXAS

SHEET TITLE:
DETAILS

DRAWN BY:
KS DRAFTING & DESIGN, LLC
KYLE SCHNECK
HARRISBURG, PA 17110
KYLE@KSDRAFTINGDESIGNLLC.COM
717-228-7114

ARCHITECT:
CADCO

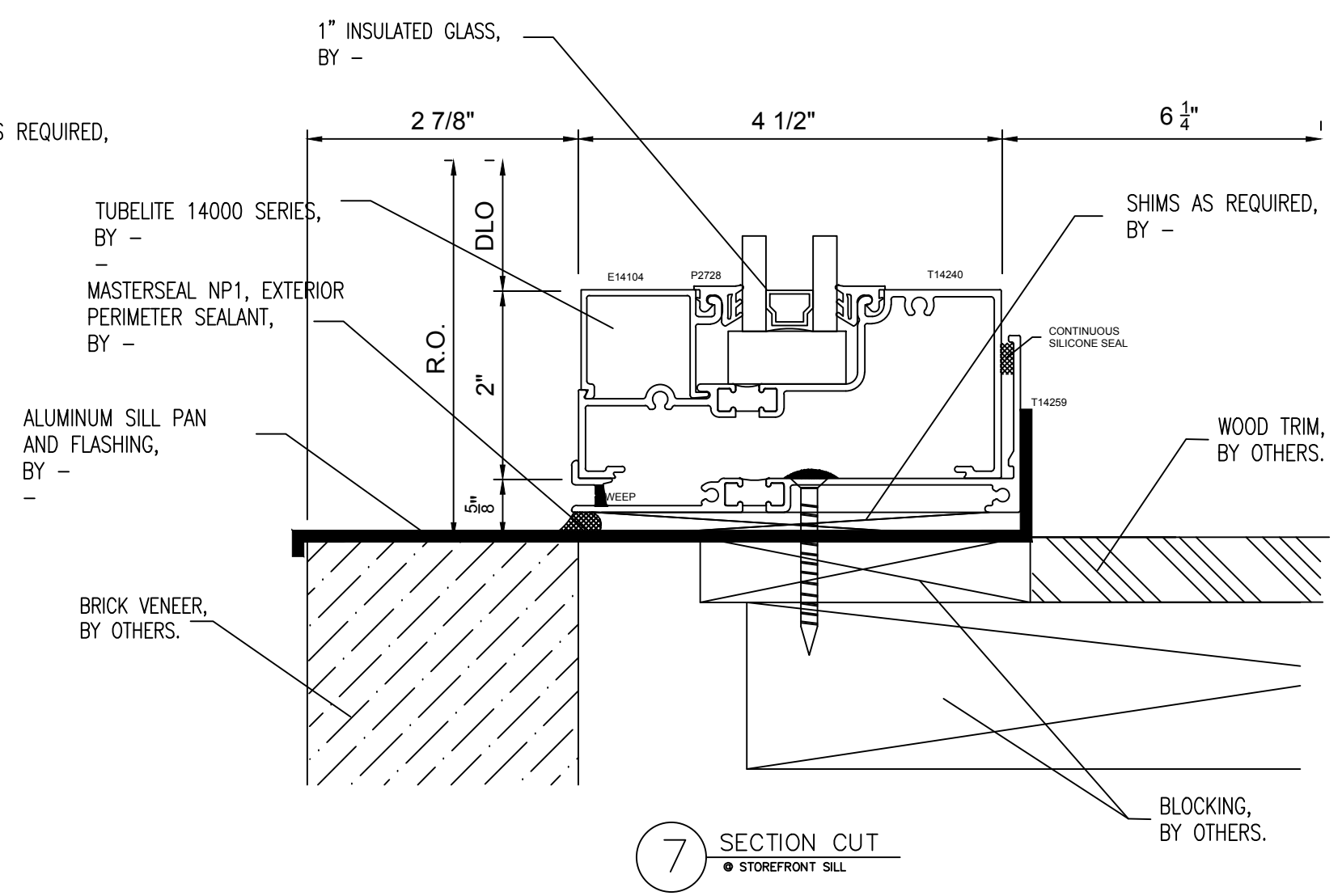
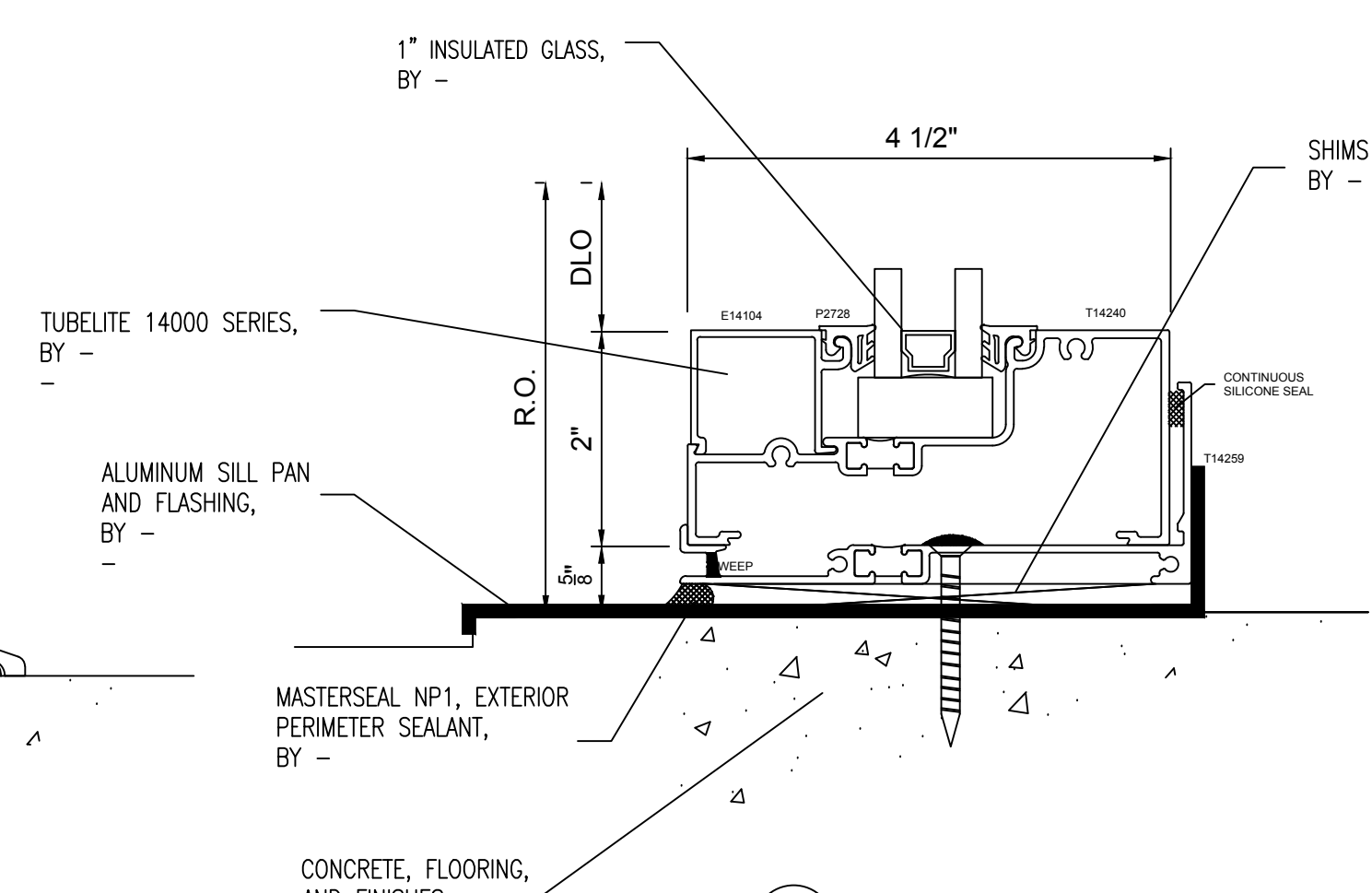
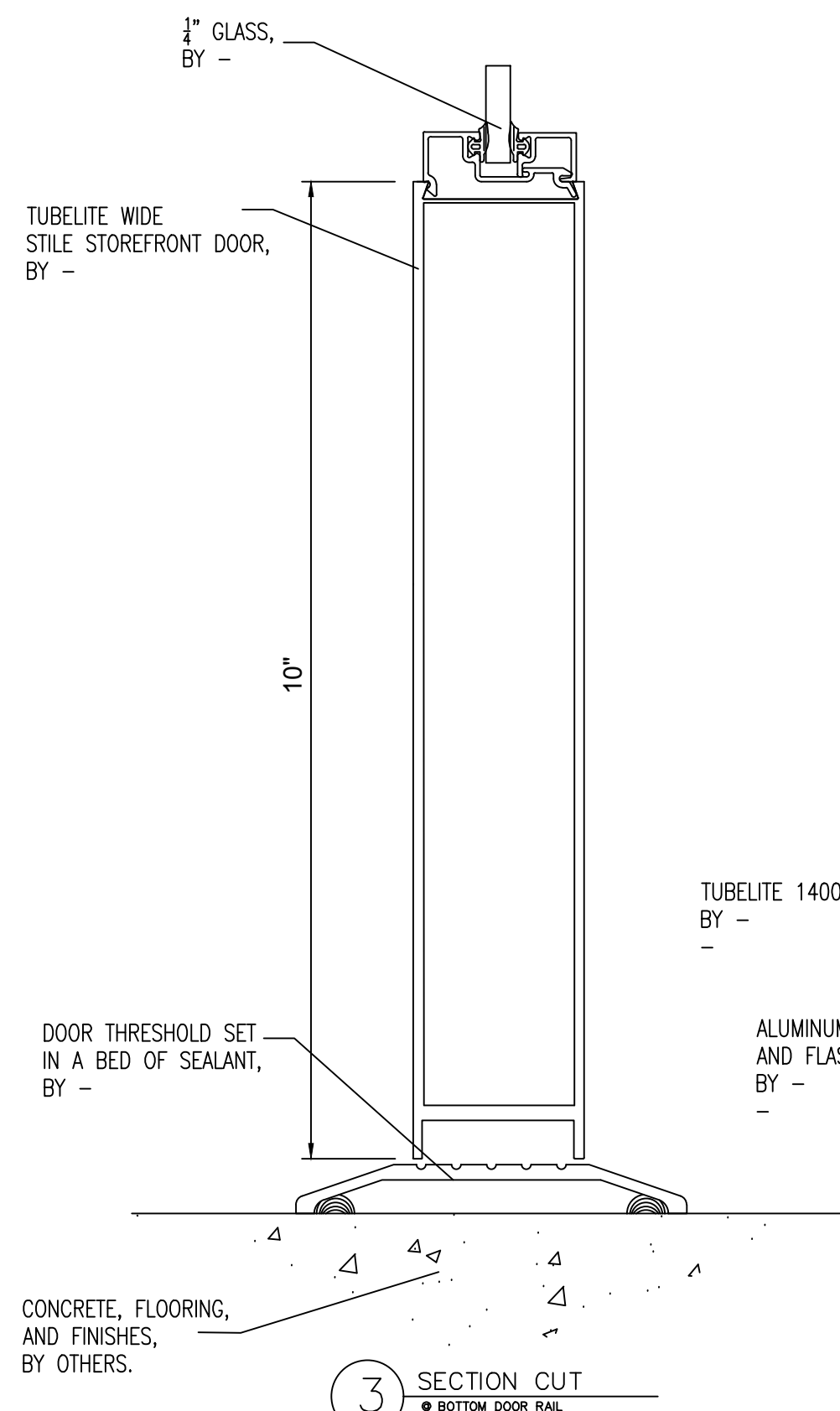
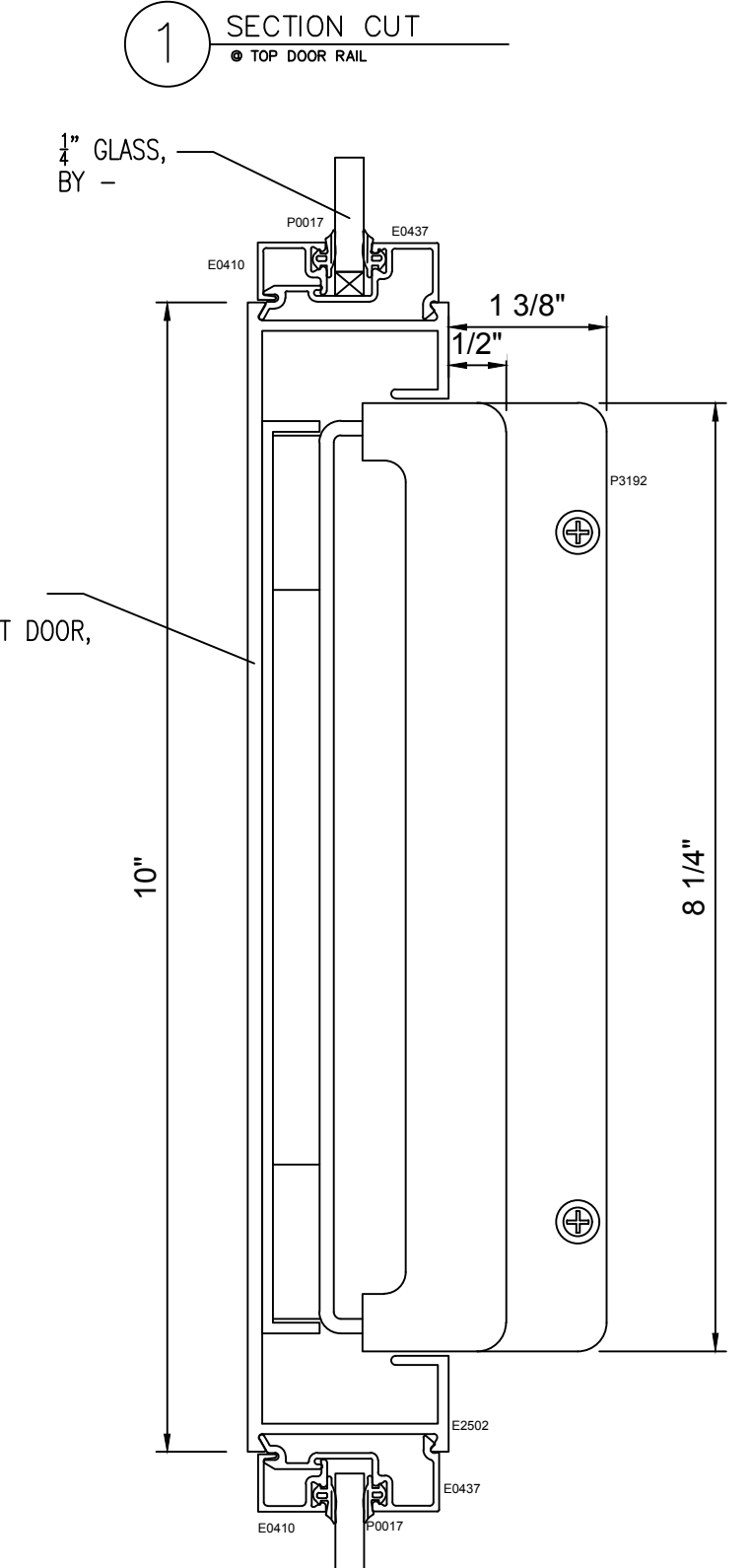
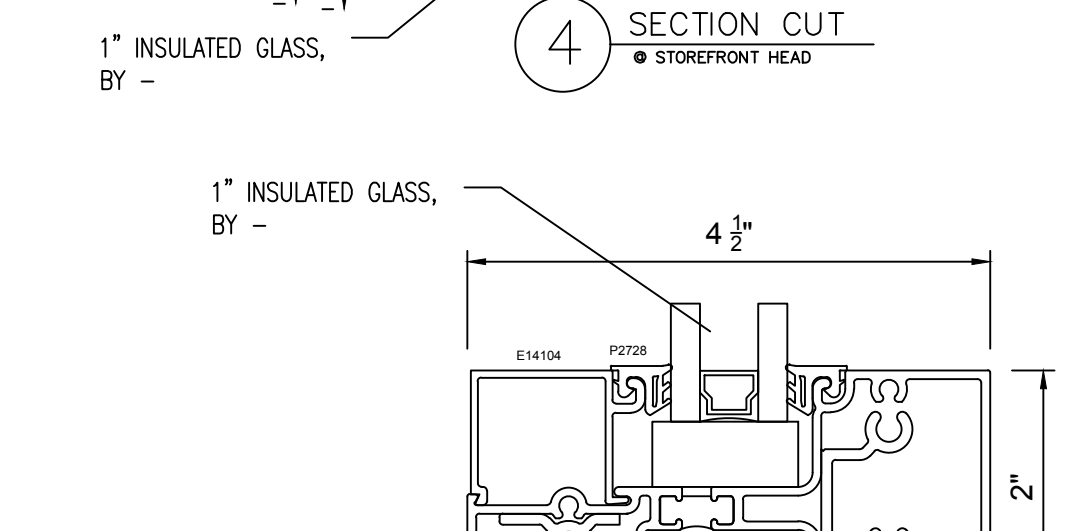
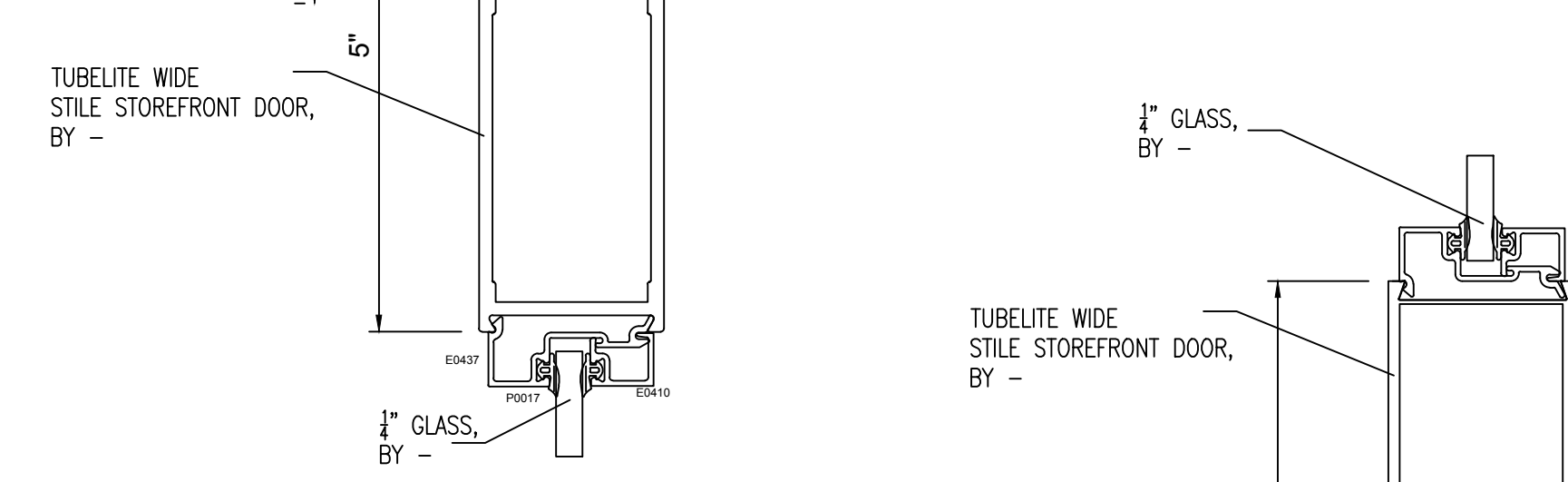
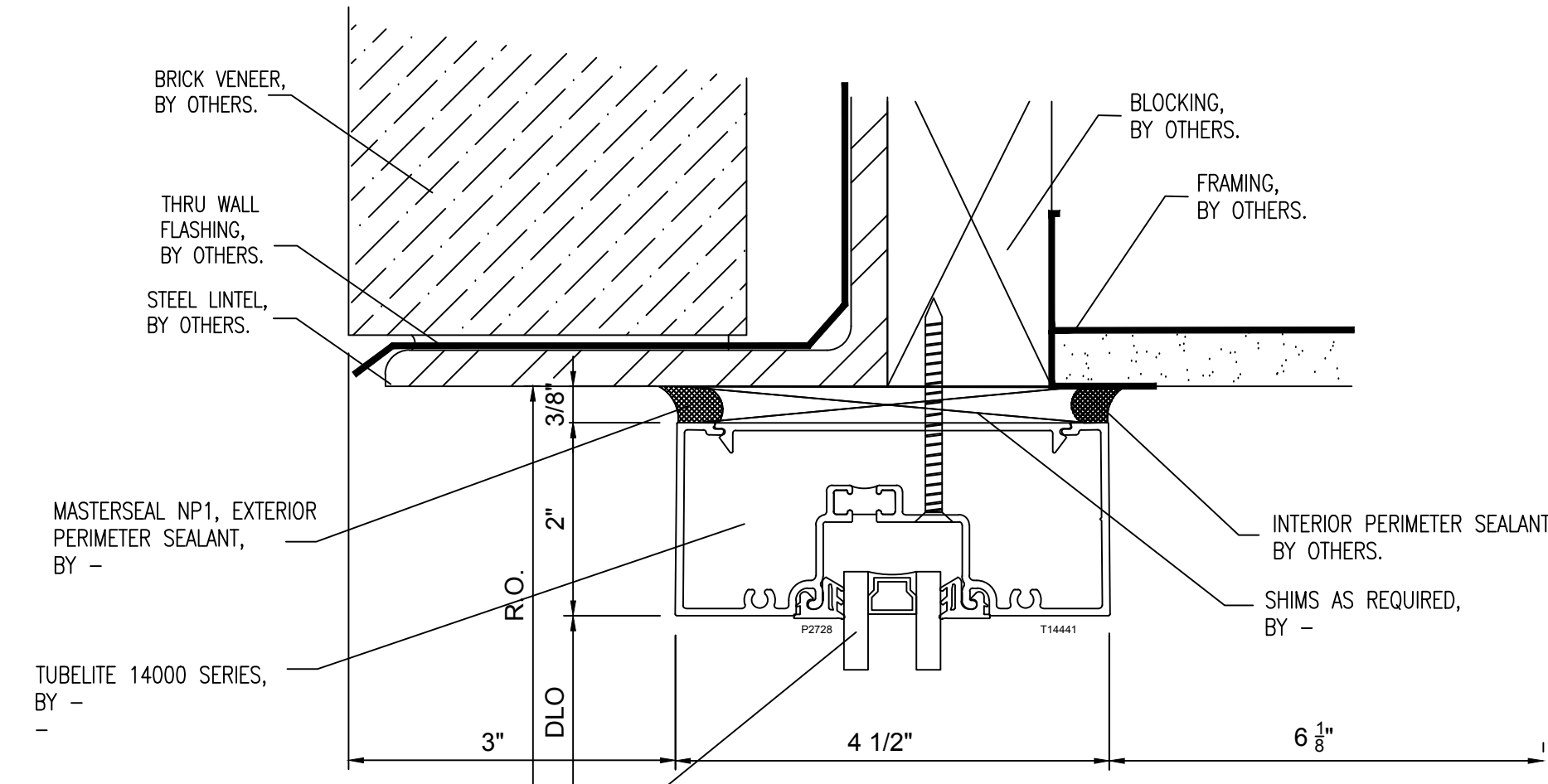
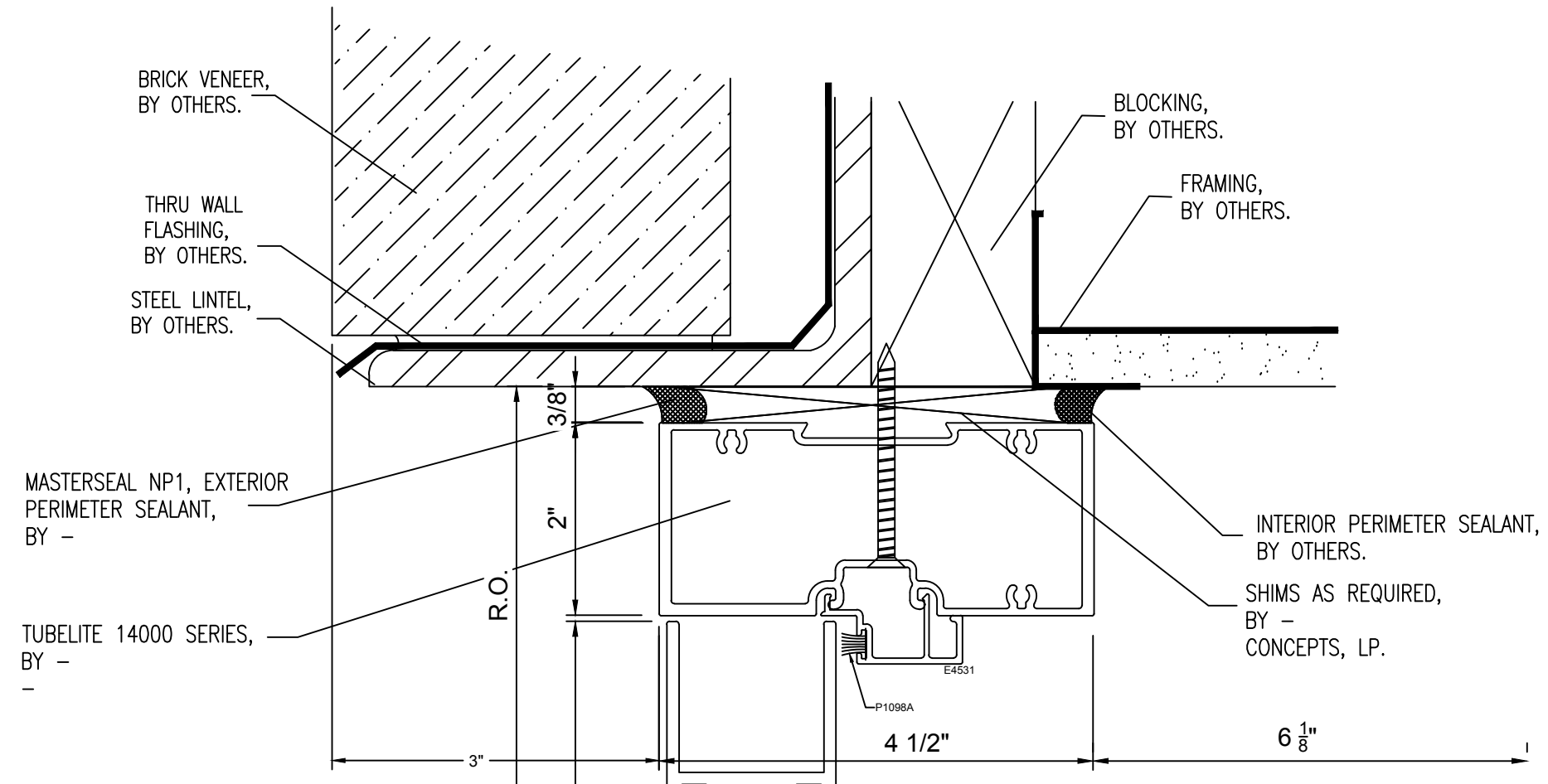
DRAWN BY: KYLE SCHNECK
CHECKED BY: KYLE SCHNECK

DATE: 01/14/2017
SHEET: 400

NO.	REVISION/ISSUED	DATE
1	1ST SUBMITTAL	01/14/2017

PROJECT NAME & LOCATION:
HIGHLAND ISD
ROSCOE, TEXAS

SHEET TITLE:
DETAILS



DRAWN BY:
 KS DRAFTING & DESIGN, LLC
 KYLE SCHNECK
 HARRISBURG, PA 17110
 KYLE@KSDRAFTINGDESIGNLLC.COM
 717-228-7114

ARCHITECT:
 CADCO

DRAWN BY: KYLE SCHNECK
 CHECKED BY: KYLE SCHNECK

DATE: 01/14/2017
 SHEET: 401