

INFORMATION AVAILABLE TO PREPARE DRAWINGS

ARCHITECTURAL DRAWINGS 12/06/2019

GENERAL NOTES

- 1.) LIMITATIONS: THESE DRAWINGS REPRESENT AN INTERPRETATION OF ARCHITECTURAL INFORMATION MADE AVAILABLE TO KS DRAFTING & DESIGN, LLC. KS DRAFTING & DESIGN, LLC. MAKES NO REPRESENTATION OR WARRANTY TO THE PERFORMANCE OR COMPLETENESS OF THE ARCHITECTURAL DETAILS OF THE SURROUNDING AREAS.
- 2.) CONFIRMATION: ANY LISTED TOLERANCES, DIMENSIONS, DEFLECTION, ANCHORAGE, REFERENCES, AND FUNCTIONAL PERFORMANCE REQUIREMENTS SHALL BE CONFIRMED WITH THE ARCHITECT, AND VALIDATED BY FIELD MEASUREMENTS TO ENSURE SIZING, PERFORMANCE COMPLIANCE, AND ARCHITECTURAL INTENT.
- 3.) ACCEPTANCE: FINAL APPROVAL OF THESE DRAWINGS CONSTITUTES ACCEPTANCE OF ALL DEVIATIONS, IF ANY, AND ALL WORK CONTAINED HEREIN.
- 4.) USE: KS DRAFTING & DESIGN, LLC. ASSUMES NO RESPONSIBILITY FOR THE USE OF THESE DRAWINGS BY OTHER TRADES.
- 5.) COMPLIANCE: ARCHITECT, ENGINEER, GENERAL CONTRACTOR, AND MISC. TRADES ARE RESPONSIBLE FOR THE SELECTION, INSTALLATION, AND ADJUSTMENT OF SYSTEMS TO ENSURE COMPLIANCE WITH ALL APPLICABLE DESIGN, ENERGY, RATING, BUILDING, AND/ OR SAFETY CODES.
- 6.) QUALITY OF CONSTRUCTION: ROUGH OPENINGS MAY NOT BE PLUMB, SQUARE, OR LEVEL. CONTRACTOR TO VERIFY EXISTING OPENINGS.
- 7.) RELEASE OF LIABILITY: THESE DRAWINGS HAVE BEEN PREPARED BY KS DRAFTING & DESIGN, LLC. FOR USE BY THE CUSTOMER. THE CUSTOMER AGREES TO ASSUME ALL LIABILITY AND ANY CLAIMS THAT MAY ARISE FROM THE USE OF, OR INFORMATION CONTAINED IN THESE DRAWINGS.

SHEET LIST

SHEET	DESCRIPTION
100	COVER SHEET
200	FLOOR PLAN
201	FRAME ELEVATIONS
400	DETAILS
401	DETAILS

NO.	REVISION/ISSUED	DATE
1	1ST SUBMITTAL	01/15/2020

PROJECT NAME & LOCATION: CGI – 12701 FAIR LAKES 12701 FAIR LAKES FAIRFAX, VA 22033	SHEET TITLE: COVER SHEET
---	-----------------------------

PROJECT TITLE:
CGI – 12701 FAIR LAKES

ADDRESS:
12701 FAIR LAKES
FAIRFAX, VA 22033

DOOR SCHEDULE

DOOR #	DOOR WIDTH	DOOR HEIGHT	ACTIVE LEAF	TYPE
309A	3'-0"	8'-0"	OUTSWING	SINGLE
309B	3'-0"	8'-0"	OUTSWING	SINGLE

DOOR HARDWARE:
CRL WALL MOUNTED HINGES – 180° SWING
BACK TO BACK PULLS

ALL FINISHES TO BE BLACK POWDERCOAT

GLASS SCHEDULE

MARK	GLAZING DESCRIPITON AND MAKEUP	NOTES
GL-1	DESCRIPTION 1/2" CLEAR, TEMPERED W/ POLISHED EDGES	
GL-2	DESCRIPTION 1/4" BACK PAINTED GLASS	

MATERIAL SCHEDULE

DEKO DIAMOND OR EQUAL BACK PAINTED GLASS – ADHERED TO WALL W/ MANUFACTURER'S APPROVED ADHESIVE

DRAFTSMAN:

KS DRAFTING & DESIGN, LLC.
KYLE SCHNECK
HARRISBURG, PA 17111
KYLE@KSDRAFTINGDESIGNLLC.COM
717-228-7114
KSDRAFTINGDESIGNLLC.COM

GLAZING CONTRACTOR:

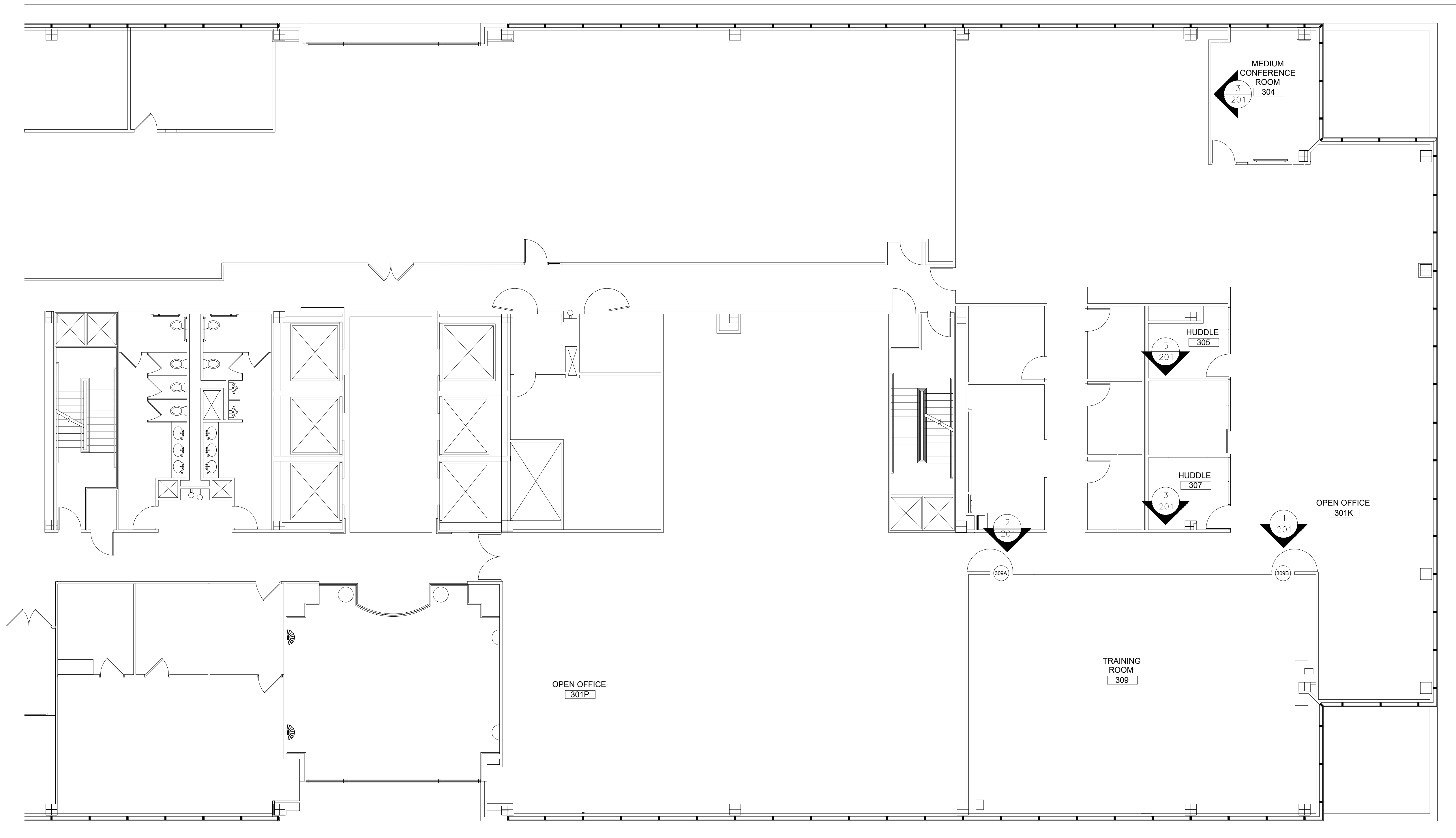
ARCHITECT:

ENGINEER:

DRAWN BY:
JAMES LUPICA
CHECKED BY:
KYLE SCHNECK
DATE:
01/15/2020

SHEET:

100



NO.	REVISION/ISSUED	DATE
1	1ST SUBMITTAL	01/15/2020

PROJECT NAME & LOCATION:
 CGI - 12701 FAIR LAKES
 12701 FAIR LAKES
 FAIRFAX, VA 22033

SHEET TITLE:
FLOOR PLAN

DRAFTSMAN:
 KS DRAFTING & DESIGN, LLC.
 KYLE SCHNECK
 HARRISBURG, PA 17111
 KYLE@KSDRAFTINGDESIGNLLC.COM
 717-228-7114
 KSDRAFTINGDESIGNLLC.COM

GLAZING CONTRACTOR:

ARCHITECT:

ENGINEER:

DRAWN BY: JAMES LUPICA
 CHECKED BY: KYLE SCHNECK
 DATE: 01/15/2020

SHEET:
200

1 PARTITION PLAN
 ARCH. REF.: 1/A1003

NO.	REVISION/ISSUED	DATE
1	1ST SUBMITTAL	01/15/2020

PROJECT NAME & LOCATION:
CGI - 12701 FAIR LAKES
12701 FAIR LAKES
FAIRFAX, VA 22033

SHEET TITLE:
FRAME ELEVATIONS

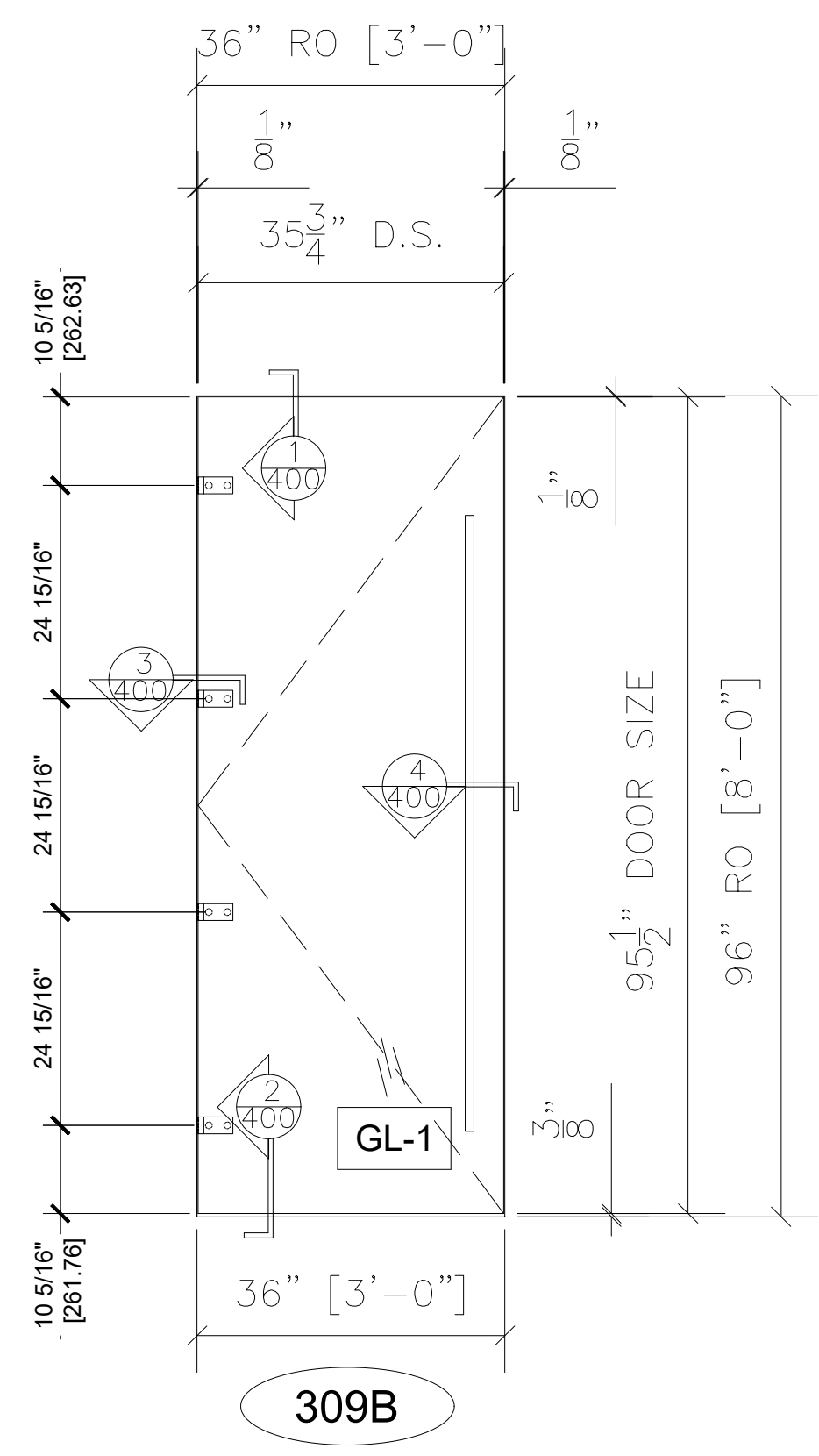
DRAFTSMAN:
 KS DRAFTING & DESIGN, LLC.
 KYLE SCHNECK
 HARRISBURG, PA 17111
 KYLE@KSDRAFTINGDESIGNLLC.COM
 717-228-7114
 KSDRAFTINGDESIGNLLC.COM

GLAZING CONTRACTOR:

ARCHITECT:

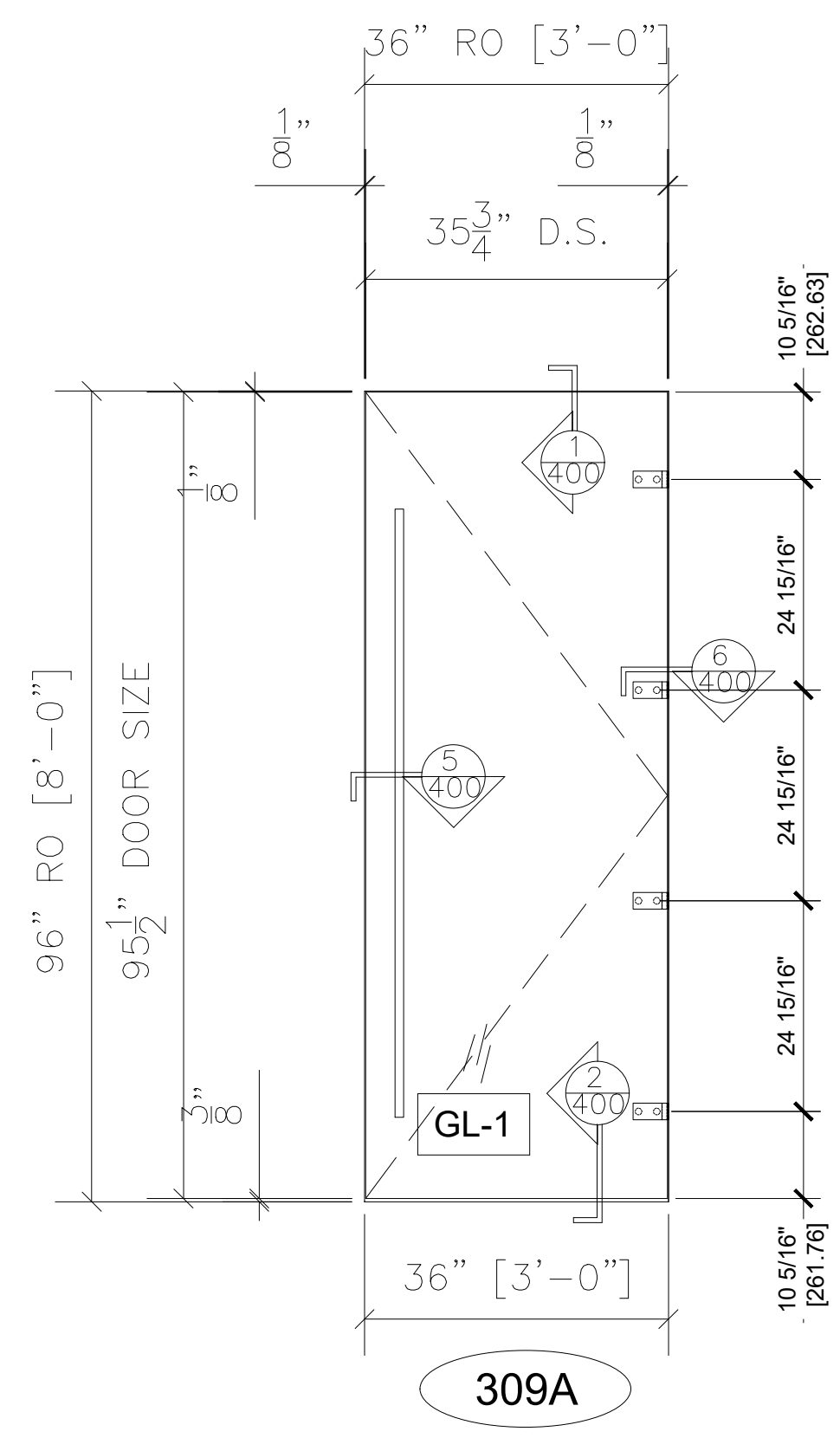
ENGINEER:

DRAWN BY: **JAMES LUPICA** SHEET:
 CHECKED BY: **KYLE SCHNECK** **201**
 DATE: **01/15/2020**



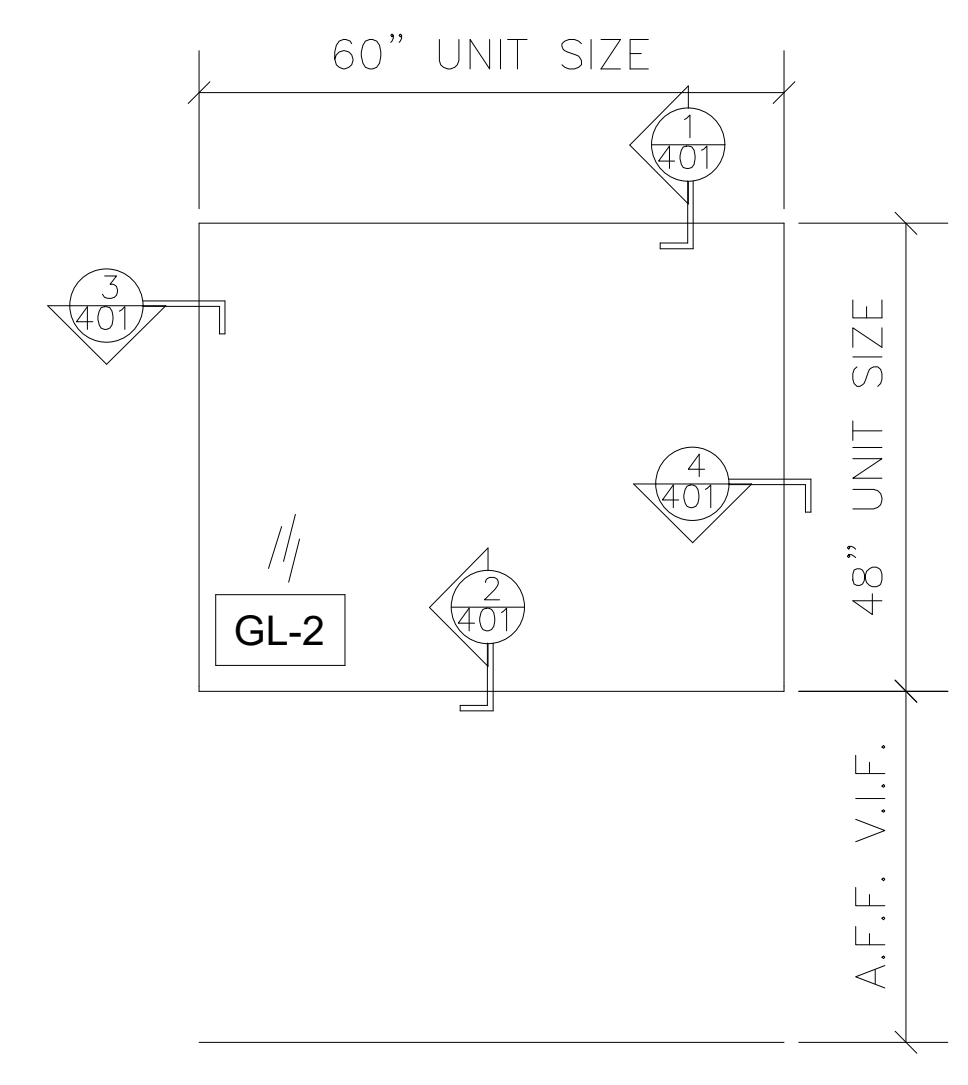
1 DOOR 309B ELEVATION
 CRL HINGES
 ARCH. REF.: TYPE D5/A0005

QTY	LOCATION
1	TRAINING ROOM 309
1 TOTAL	



2 DOOR 309A ELEVATION
 CRL HINGES
 ARCH. REF.: TYPE D5/A0005

QTY	LOCATION
1	TRAINING ROOM 309
1 TOTAL	



3 BACKPAINTED GLASS ELEVATION
 ADHERED TO WALL W/ MANUFACTURER'S APPROVED ADHESIVE

QTY	LOCATION
1	MEDIUM CONFERENCE ROOM 304
1	HUDDLE 305
1	HUDDLE 307
3 TOTAL	

3 TOTAL

NO.	REVISION/ISSUED	DATE
1	1ST SUBMITTAL	01/15/2020

PROJECT NAME & LOCATION:
 CGI - 12701 FAIR LAKES
 12701 FAIR LAKES
 FAIRFAX, VA 22033

SHEET TITLE:
DETAILS

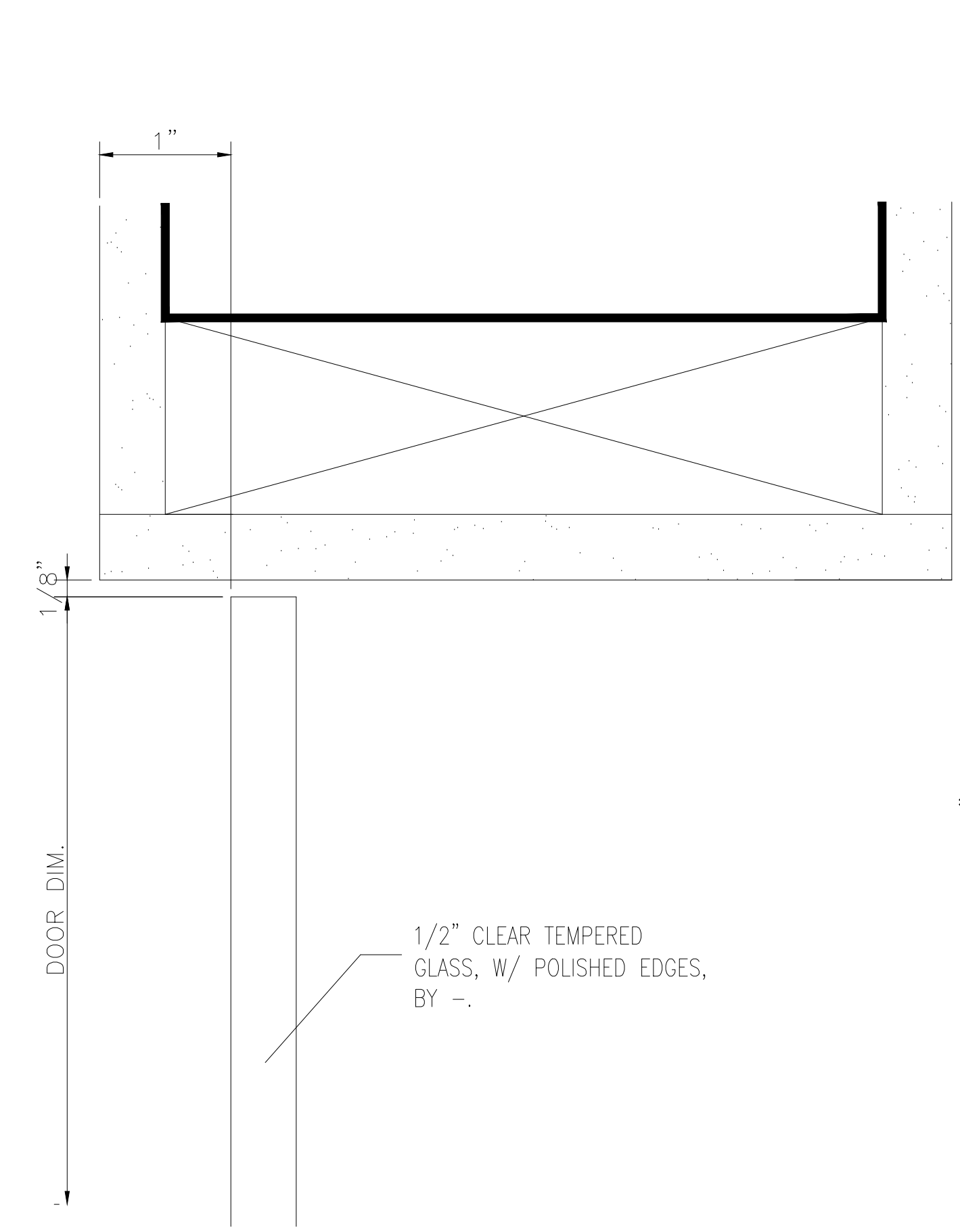
DRAFTSMAN:
 KS DRAFTING & DESIGN, LLC.
 KYLE SCHNECK
 HARRISBURG, PA 17111
 KYLE@KSDRAFTINGDESIGNLLC.COM
 717-228-7114
 KSDRAFTINGDESIGNLLC.COM

GLAZING CONTRACTOR:

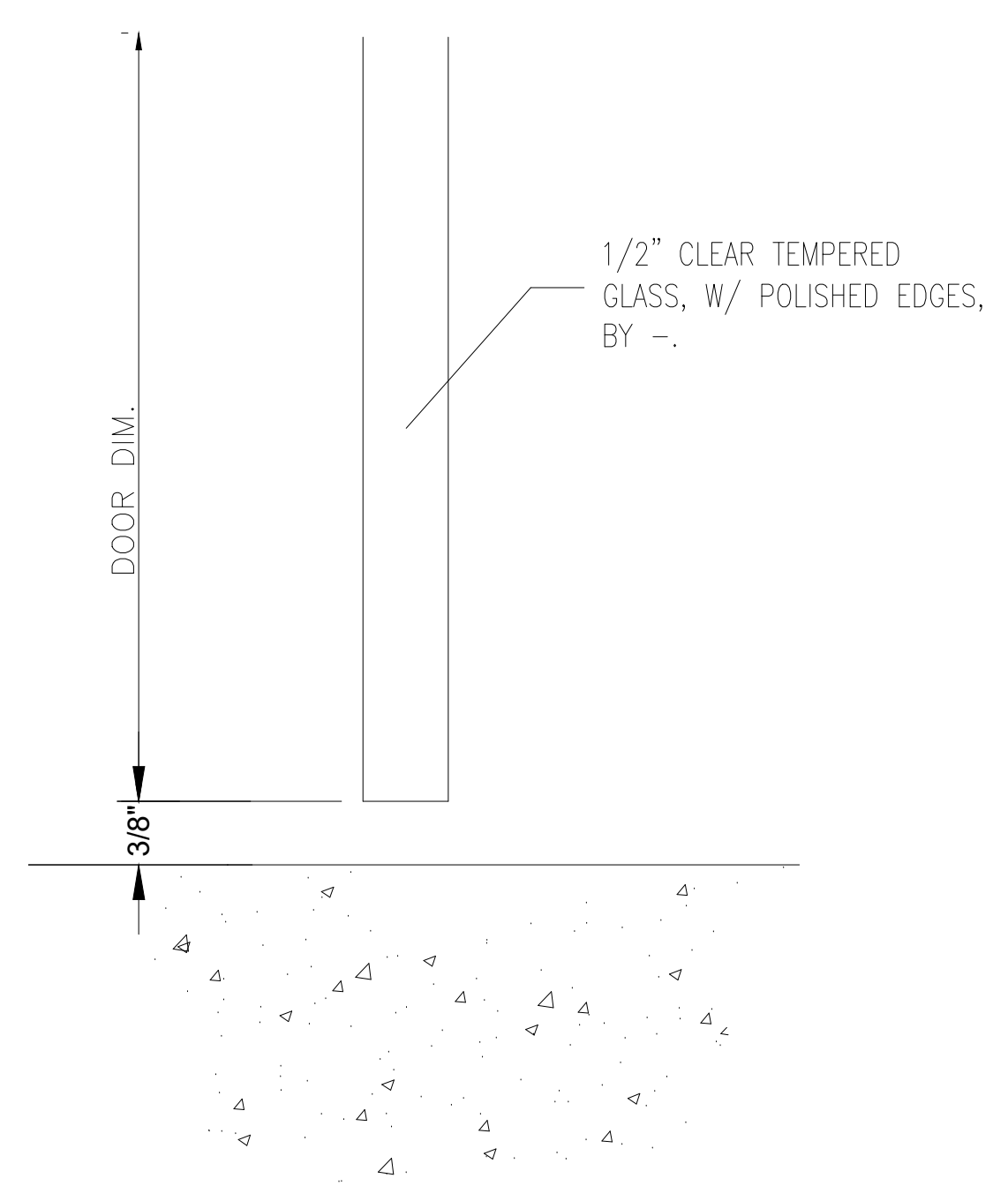
ARCHITECT:

ENGINEER:

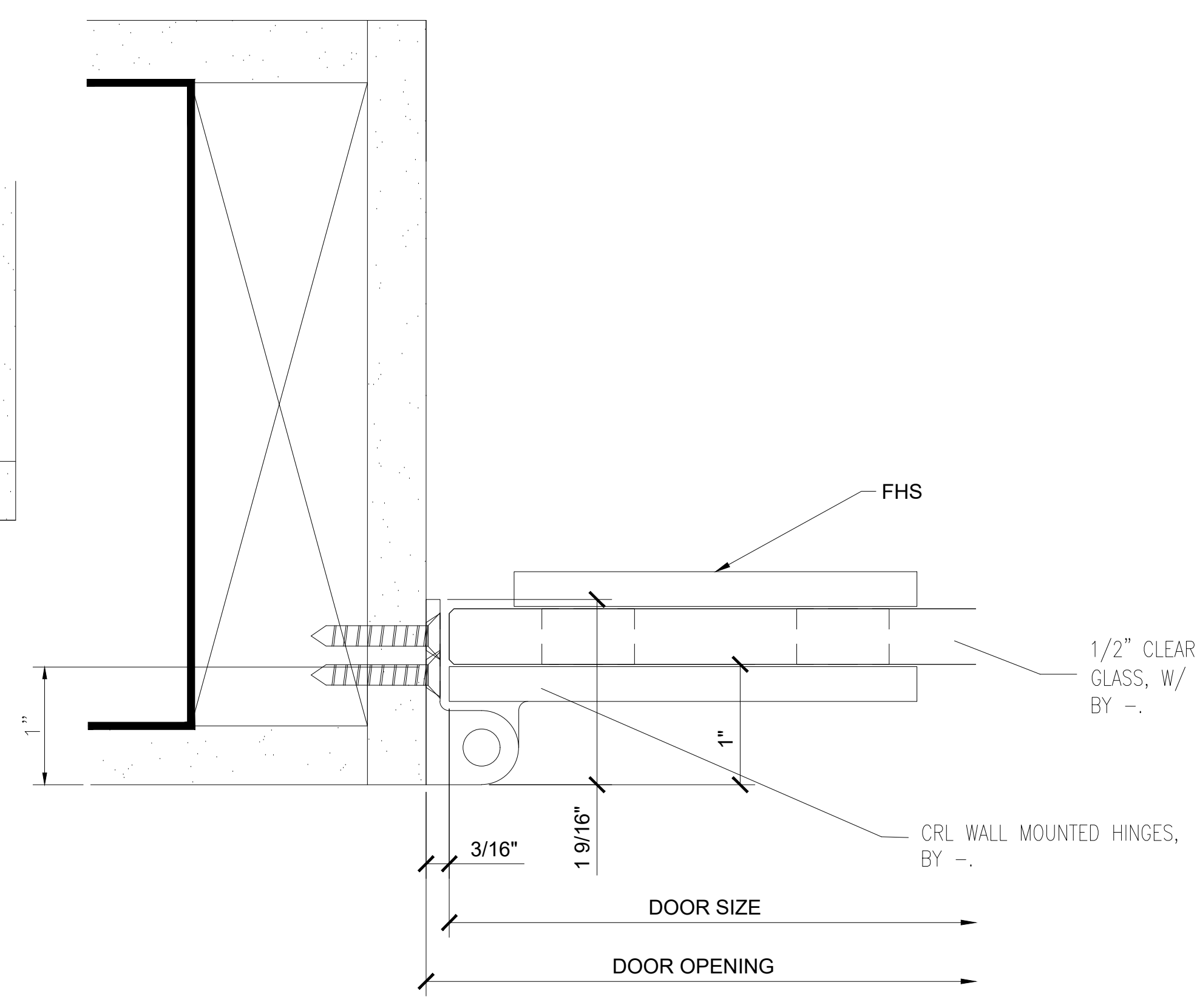
DRAWN BY: JAMES LUPICA	SHEET:
CHECKED BY: KYLE SCHNECK	400
DATE: 01/15/2020	



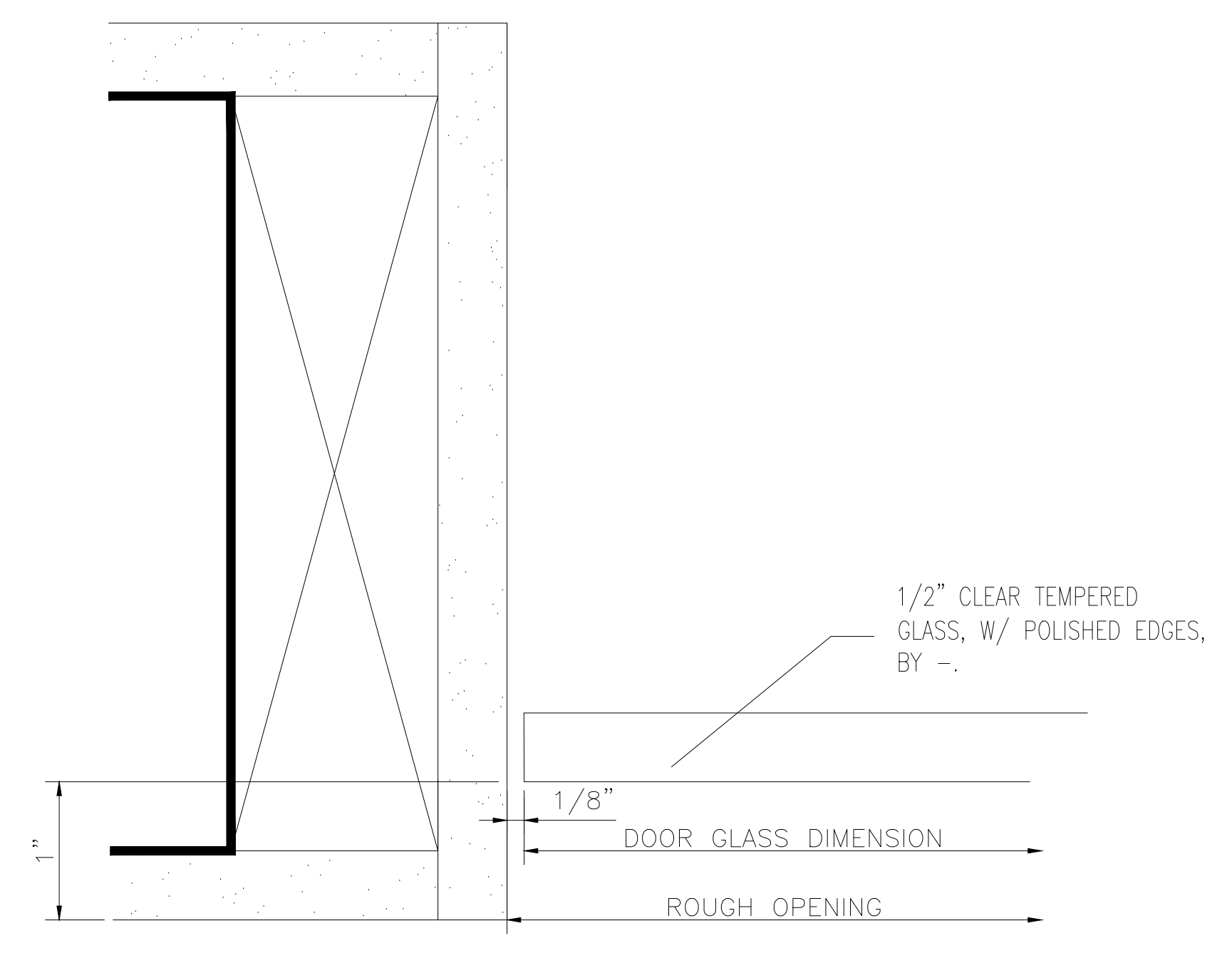
1 SECTION CUT
 @ DOOR HEAD



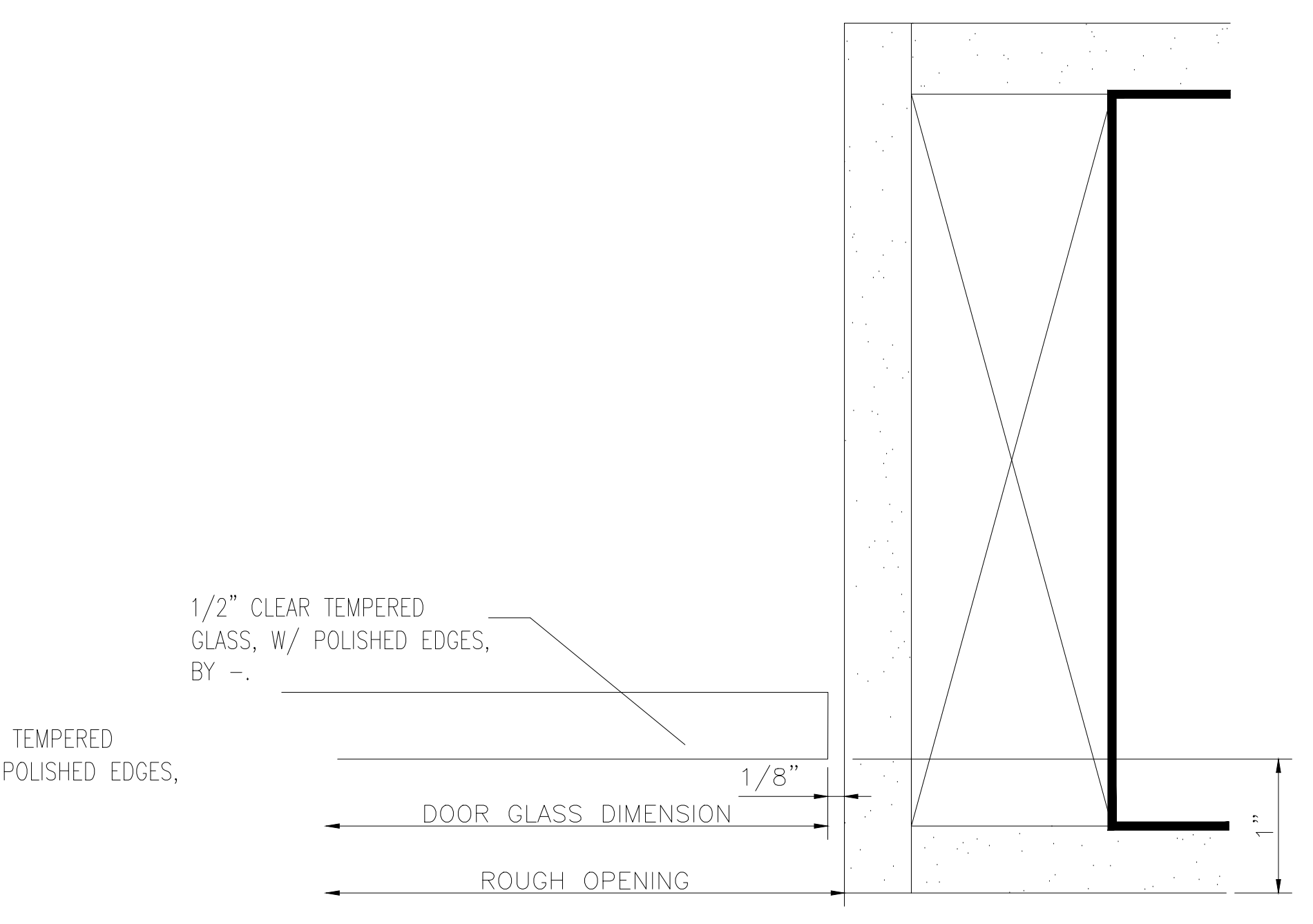
2 SECTION CUT
 @ DOOR SILL



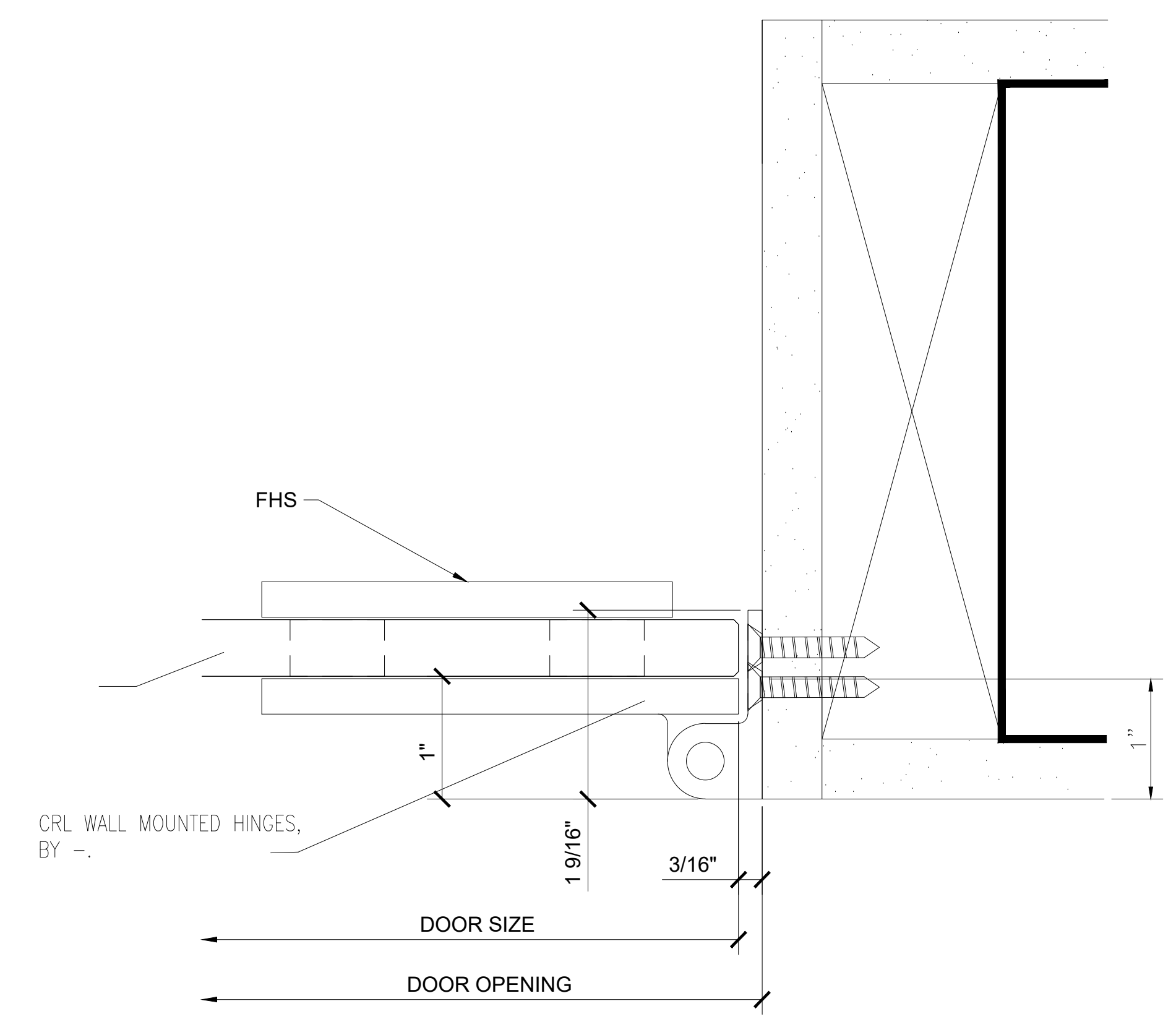
3 PLAN CUT
 @ DOOR LEFT JAMB



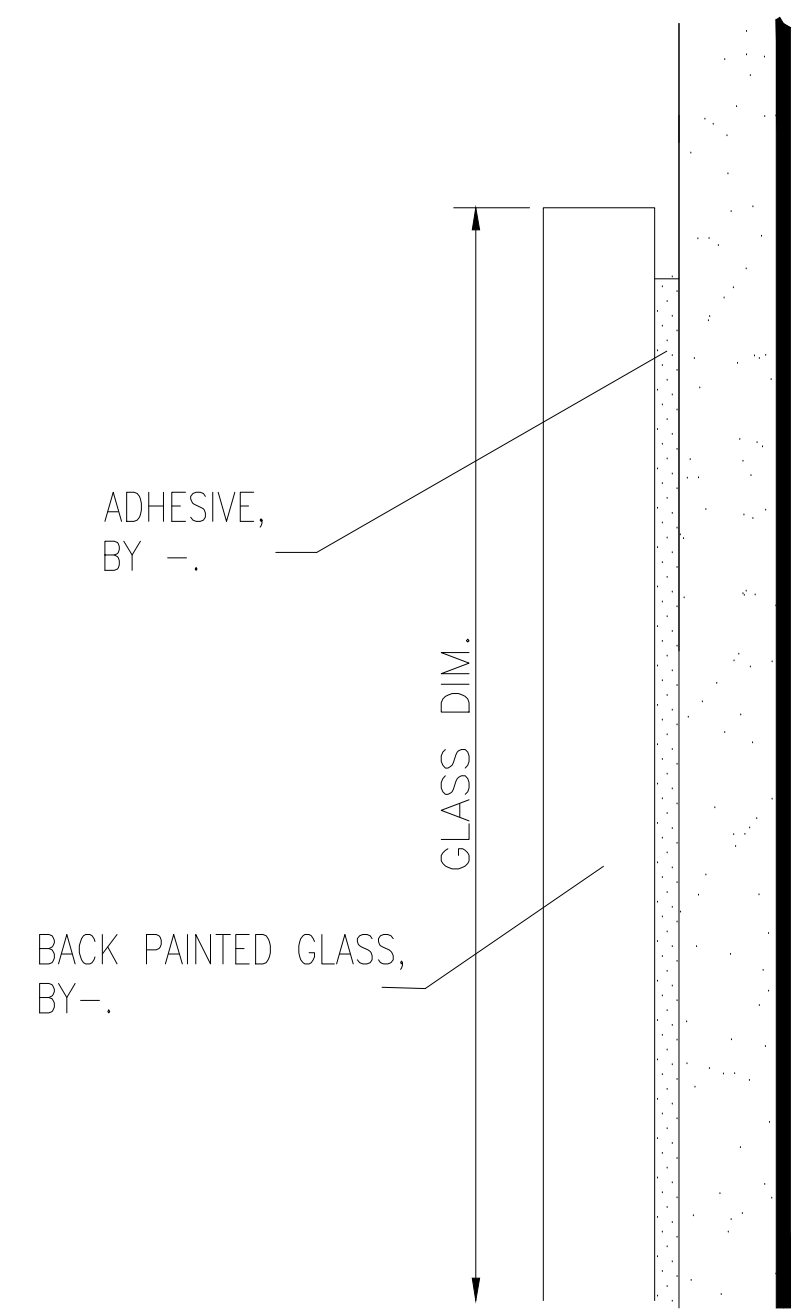
5 PLAN CUT
 @ DOOR LEFT JAMB



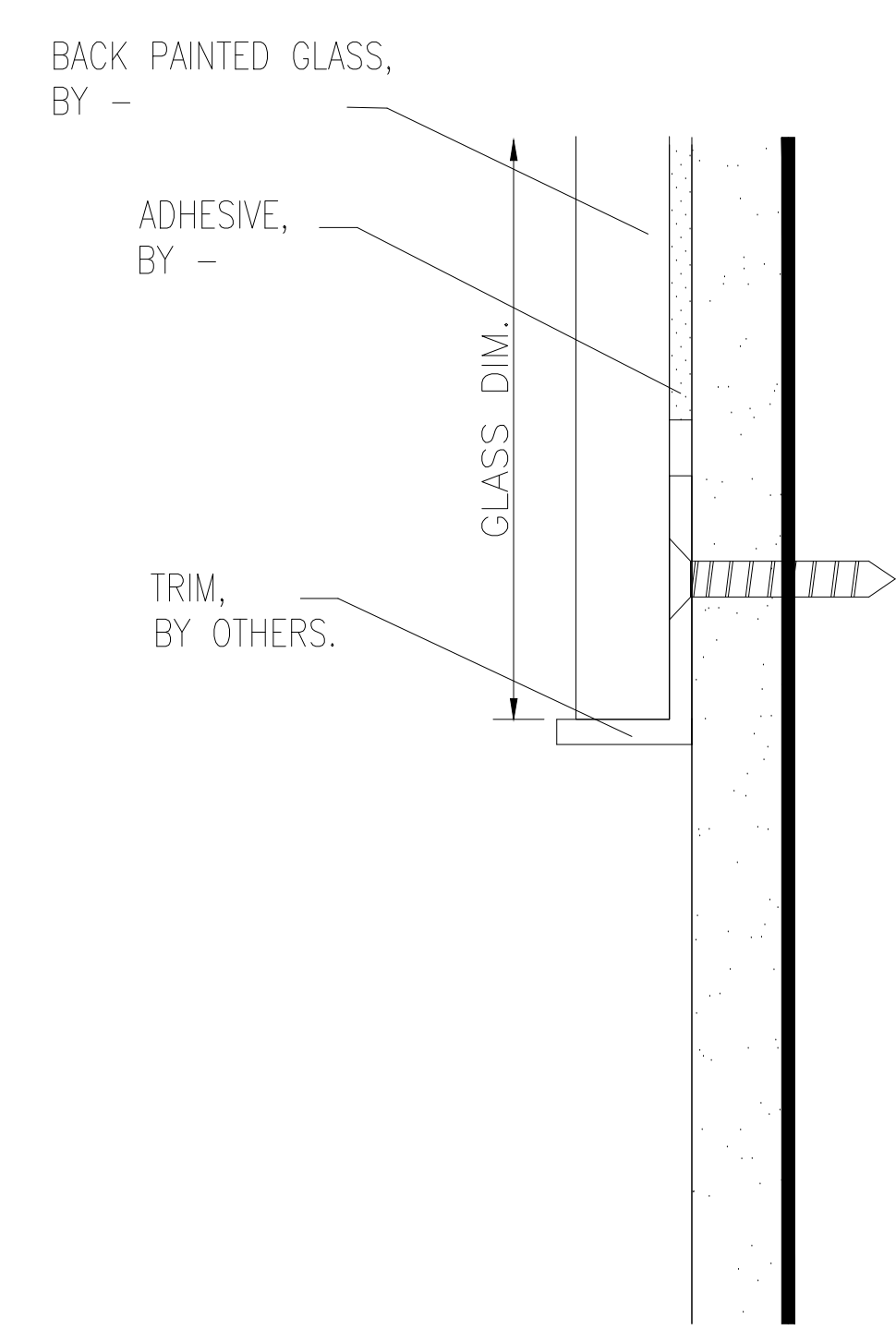
4 PLAN CUT
 @ DOOR RIGHT JAMB



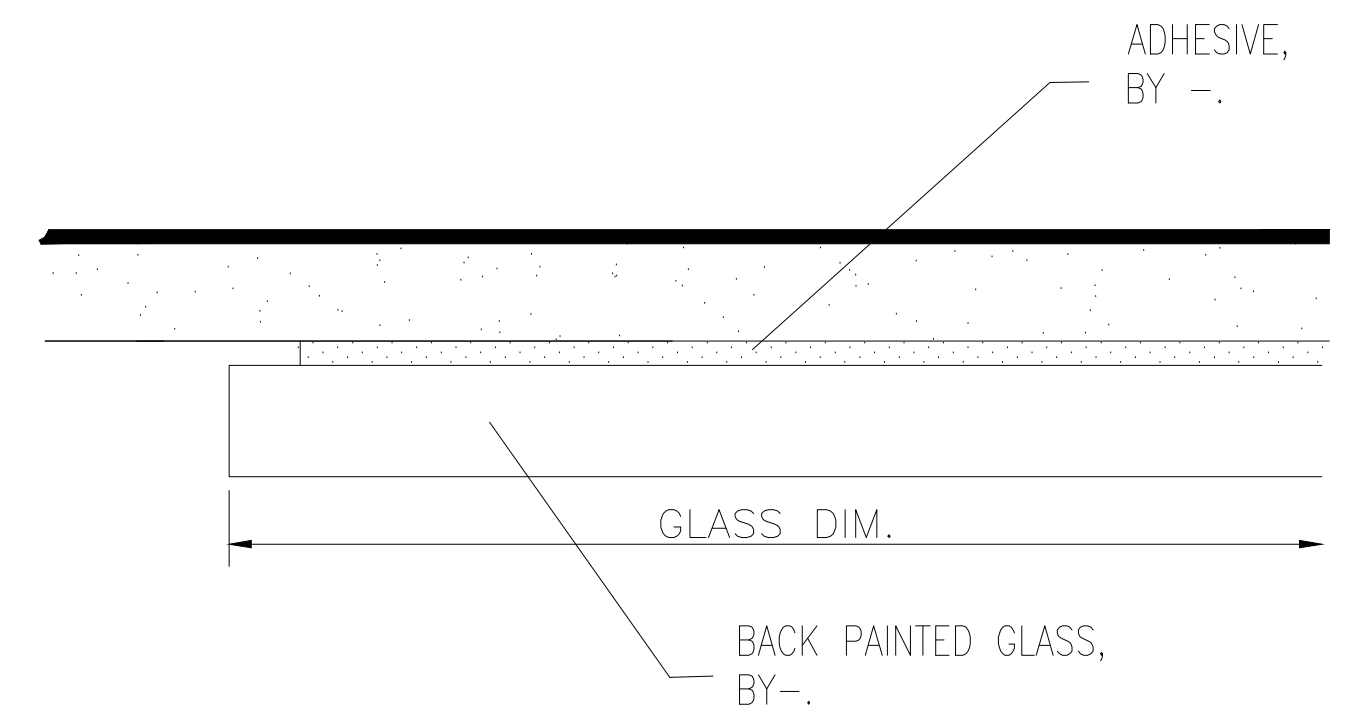
6 PLAN CUT
 @ DOOR RIGHT JAMB



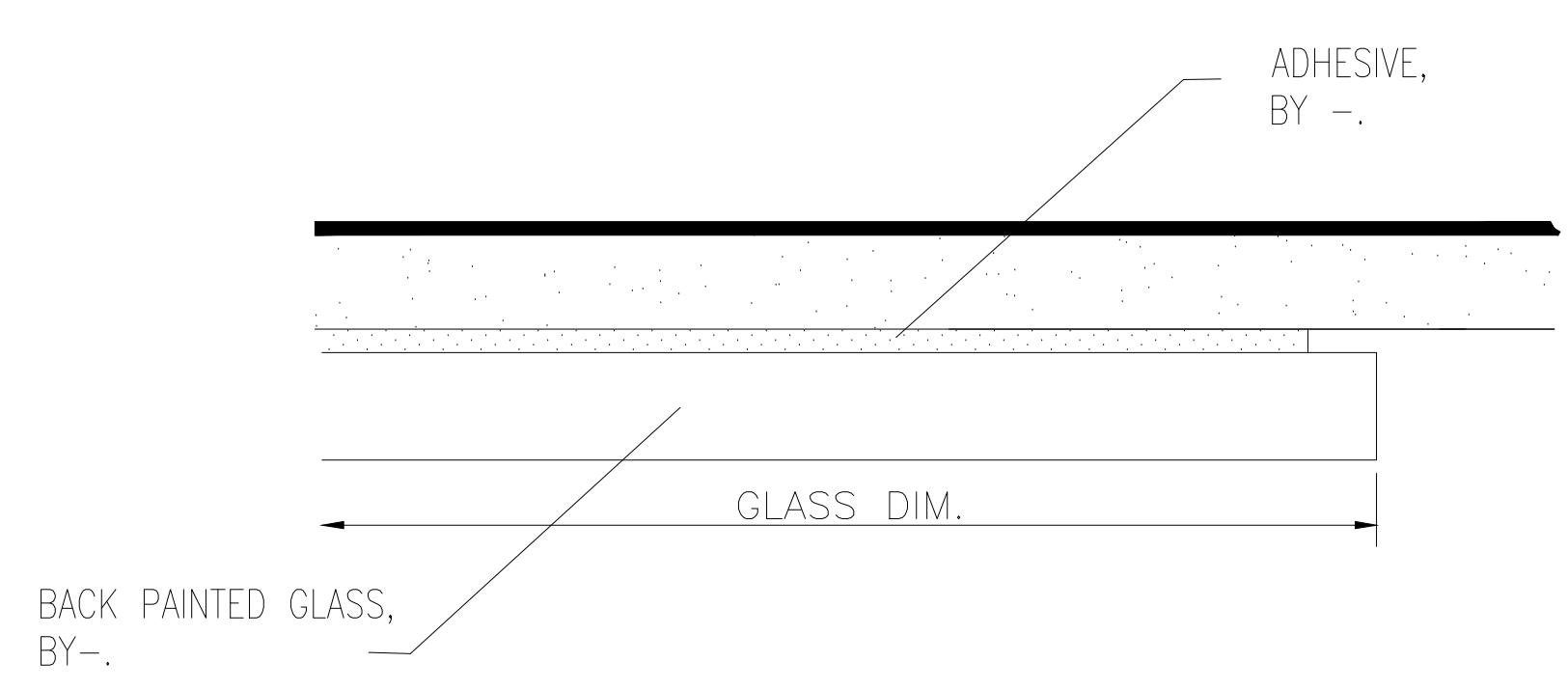
1 SECTION CUT
© BACKPAINTED GLASS



2 SECTION CUT
© BACKPAINTED GLASS



3 PLAN CUT
© BACKPAINTED GLASS



4 PLAN CUT
© BACKPAINTED GLASS

NO.	REVISION/ISSUED	DATE
1	1ST SUBMITTAL	01/15/2020

PROJECT NAME & LOCATION: CGI - 12701 FAIR LAKES 12701 FAIR LAKES FAIRFAX, VA 22033	SHEET TITLE: DETAILS

DRAFTSMAN:
KS DRAFTING & DESIGN, LLC.
KYLE SCHNECK
HARRISBURG, PA 17111
KYLE@KSDRAFTINGDESIGNLLC.COM
717-228-7114
KSDRAFTINGDESIGNLLC.COM

GLAZING CONTRACTOR:

ARCHITECT:

ENGINEER:

DRAWN BY: JAMES LUPICA	SHEET: 401
CHECKED BY: KYLE SCHNECK	
DATE: 01/15/2020	