

DOOR HARDWARE			
DOOR #	HARDWARE	DOOR #	HARDWARE
102A PAIR	HARDWARE: STANDARD DOOR SWEEP K-CONTINUOUS HINGE 1686 CR LOCK K-STD CYLINDER CO-9 PULL #14 INSULATED GLASS STANDARD SURFACE MOUNTED DOOR CLOSERS	142D SINGLE	HARDWARE: STANDARD DOOR SWEEP K-CONTINUOUS HINGE 1786 RM LOCK K-STD CYLINDER CO-9 PULL #14 INSULATED GLASS STANDARD SURFACE MOUNTED DOOR CLOSERS CARD READER ALARMED EXIT
142A PAIR	HARDWARE: STANDARD DOOR SWEEP K-CONTINUOUS HINGE 1686 CR LOCK K-STD CYLINDER CO-9 PULL #14 1/2" GLASS	118C SINGLE	HARDWARE: STANDARD DOOR SWEEP K-CONTINUOUS HINGE 1786 RM LOCK K-STD CYLINDER CO-9 PULL #14 ALARMED EXIT INSULATED GLASS STANDARD SURFACE MOUNTED DOOR CLOSERS
109A SINGLE	HARDWARE: STANDARD DOOR SWEEP K-CONTINUOUS HINGE 1786 RM LOCK K-STD CYLINDER CO-9 PULL #14 INSULATED GLASS STANDARD SURFACE MOUNTED DOOR CLOSERS CARD READER		
142B SINGLE	HARDWARE: STANDARD DOOR SWEEP K-CONTINUOUS HINGE MS1850 LOCK K-STD EXTERIOR KEYPED CYLINDER INTERIOR THUMBTURN STANDARD FLUSHBOLTS NORTON 1601 CLOSER - NO HOLD OPEN CO-9/CP #14 INSULATED GLASS CARD READER FIXED MULLION	224A SINGLE	HARDWARE: STANDARD DOOR SWEEP K-CONTINUOUS HINGE 1786 RM LOCK K-STD CYLINDER RIM EXIT DEVICE CO-9 PULL #14 INSULATED GLASS
142C SINGLE			

GLASS INFORMATION	
MARK	GLASS DESCRIPTION
GL1	INSULATED UNIT: 1/4" CLEAR, S60STT ON #2, TEMPERED 1/2" MILL AIR SPACER 1/4" STAR, TEMPERED
GL2	INSULATED UNIT: 1/4" SOLARBAN 60 ON #2, TEMPERED 1/2" MILL AIR SPACER 1/4" CLEAR, TEMPERED
GL3	INSULATED UNIT: 1/4" CLEAR, S60CLT ON #2, HS 1/2" MILL AIR SPACER 1/8" CLEAR HS, 30V09AS, 1/8" CLEAR, HS
GL4	1/4" STAPHIRE, TEMPERED
GL5	1/4" CLEAR, TEMPERED
GL6	1/2" CLEAR, TEMPERED, POLISHED 2 LONG

MATERIALS
KAWNEER 1600UT SYSTEM 1 - 2 1/2" X 7 1/2" FRAMING
KAWNEER 451T EXTERIOR STOREFRONT - 2" X 4 1/2" FRONT SET THERMAL FRAMING
KAWNEER 450 INTERIOR STOREFRONT - 1 3/4" X 4 1/2" CENTER SET NON THERMAL FRAMING
KAWNEER 500 SERIES WIDE STILE STOREFRONT DOORS - 5" TOP RAIL - 12" BOTTOM RAIL
1" X 2" ALUMINUM TOP CHANNEL 1" X 1" ALUMINUM BOTTOM CHANNEL
ALL FINISHES TO BE: #22 BONE WHITE - FLUOROPON

PROJECT TITLE:
BROAD CREEK LIBRARY

PROJECT LOCATION:
1425 NORCHESTER AVE.
NORFOLK, VA

GENERAL NOTES
1.) LIMITATIONS: THESE DRAWINGS REPRESENT AN INTERPRETATION OF ARCHITECTURAL INFORMATION MADE AVAILABLE TO KS DRAFTING & DESIGN, LLC. KS DRAFTING & DESIGN, LLC MAKES NO REPRESENTATION OR WARRANTY TO THE PERFORMANCE OR COMPLETENESS OF THE ARCHITECTURAL DETAILS OF THE SURROUNDING AREAS.
2.) CONFIRMATION: ANY LISTED TOLERANCES, DIMENSIONS, DEFLECTION, ANCHORAGE, REFERENCES, AND FUNCTIONAL PERFORMANCE REQUIREMENTS SHALL BE CONFIRMED WITH THE ARCHITECT, AND VALIDATED BY FIELD MEASUREMENTS TO ENSURE SIZING, PERFORMANCE COMPLIANCE, AND ARCHITECTURAL INTENT.
3.) ACCEPTANCE: FINAL APPROVAL OF THESE DRAWINGS CONSTITUTES ACCEPTANCE OF ALL DEVIATIONS, IF ANY, AND ALL WORK CONTAINED HEREIN.
4.) USE: KS DRAFTING & DESIGN, LLC ASSUMES NO RESPONSIBILITY FOR THE USE OF THESE DRAWINGS BY OTHER TRADES.
5.) COMPLIANCE: ARCHITECT, ENGINEER, GENERAL CONTRACTOR, AND MISC. TRADES ARE RESPONSIBLE FOR THE SELECTION, INSTALLATION, AND ADJUSTMENT OF SYSTEMS TO ENSURE COMPLIANCE WITH ALL APPLICABLE DESIGN, ENERGY, RATING, BUILDING, AND/OR SAFETY CODES.
6.) QUALITY CONSTRUCTION: ROUGH OPENINGS MUST BE BUILT PLUMB, SQUARE, AND LEVEL. OPENINGS MUST BE BUILT TO THE ROUGH OPENING (R.O.) SIZES SHOWN HEREIN FOR PROPER FIT.
7.) RELEASE OF LIABILITY: THESE DRAWINGS HAVE BEEN PREPARED BY KS DRAFTING & DESIGN, LLC FOR USE BY THE CUSTOMER. THE CUSTOMER AGREES TO ASSUME ALL LIABILITY AND ANY CLAIMS THAT MAY ARISE FROM THE USE OF, OR INFORMATION CONTAINED IN THESE DRAWINGS.

INFORMATION AVAILABLE TO PREPARE DRAWINGS
ARCHITECTURAL DRAWINGS DATED: 10/07/2016 & 11/11/2016
KAWNEER MATERIAL QUOTE
OLD CASTLE GLASS QUOTE
PROJECT NOTES

TABLE OF CONTENTS	
100 COVER SHEET	400 DETAILS
200 FIRST FLOOR PLAN	401 DETAILS
201 SECOND FLOOR PLAN	402 DETAILS
202 OVERALL BUILDING ELEVATIONS	403 DETAILS
203 OVERALL BUILDING ELEVATIONS	404 DETAILS
204 FRAME ELEVATIONS	405 DETAILS
205 FRAME ELEVATIONS	406 DETAILS
206 FRAME ELEVATIONS	407 DETAILS
207 FRAME ELEVATIONS	408 DETAILS
208 FRAME ELEVATIONS	409 DETAILS
209 FRAME ELEVATIONS	
210 FRAME ELEVATIONS	
211 FRAME ELEVATIONS	
212 FRAME ELEVATIONS	
213 FRAME ELEVATIONS	
214 FRAME ELEVATIONS	
215 FRAME ELEVATIONS	
216 FRAME ELEVATIONS	
217 FRAME ELEVATIONS	
218 FRAME ELEVATIONS	

NO.	REVISION/ISSUED	DATE
1	1ST SUBMITTAL	02/26/2017
2	REVISIONS	03/07/2017

PROJECT NAME & LOCATION:
BROAD CREEK LIBRARY
1425 NORCHESTER AVE.
NORFOLK, VA

SHEET TITLE:
COVER SHEET

ARCHITECT:
TMA

DRAWN BY:
KS DRAFTING & DESIGN, LLC
KYLE SCHNECK
HARRISBURG, PA 17110
KYLE@KSDRAFTINGDESIGNLLC.COM
717-228-7114

DRAWN BY: KYLE SCHNECK
CHECKED BY: KYLE SCHNECK

DATE: 03/07/2017
SHEET: 100

NO.	REVISION/ISSUED	DATE
1	1ST SUBMITTAL	02/26/2017

PROJECT NAME & LOCATION:
BROAD CREEK LIBRARY
 1425 NORCHESTER AVE.
 NORFOLK, VA

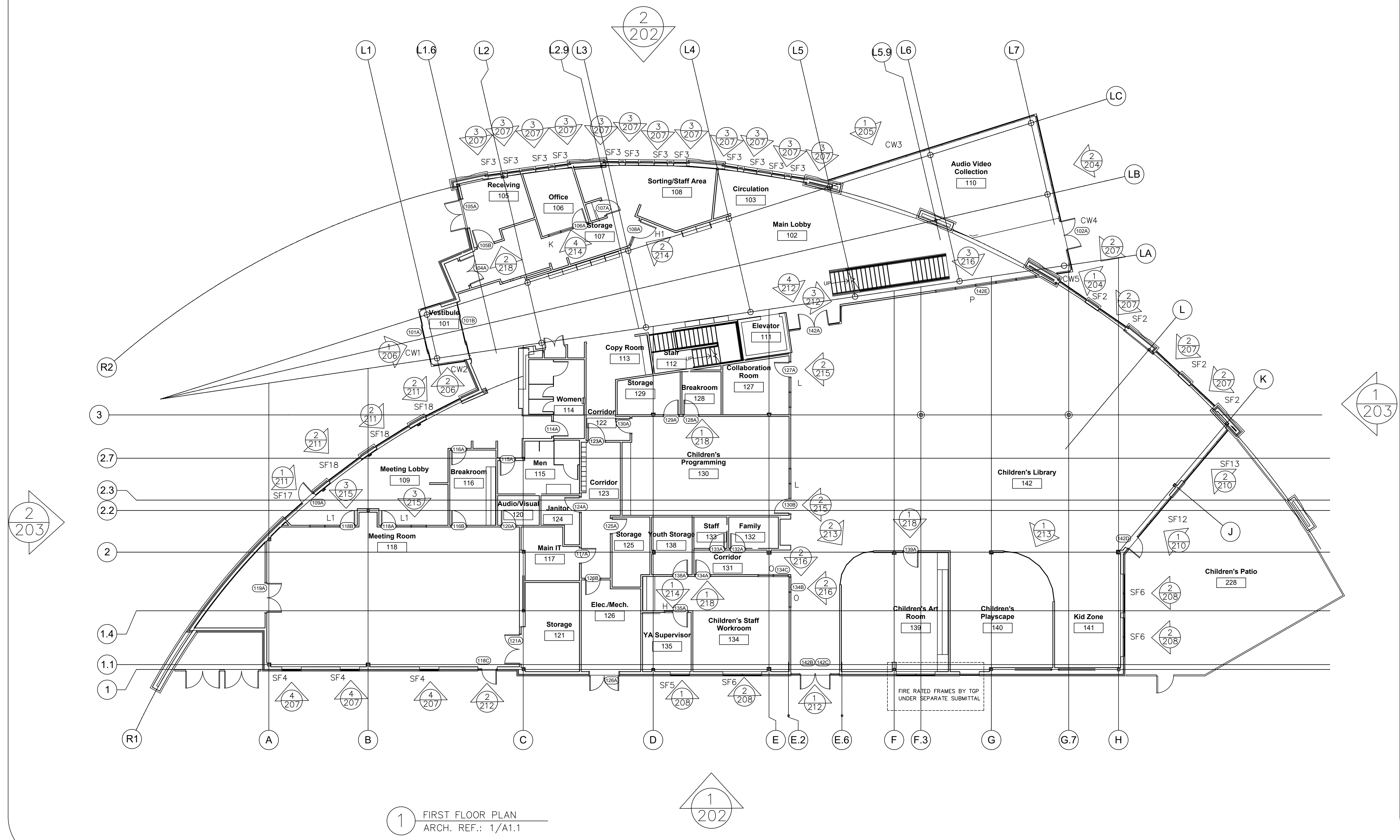
SHEET TITLE:
FLOOR PLAN

ARCHITECT:
 TMA

DRAWN BY:
 KS DRAFTING & DESIGN, LLC
 KYLE SCHNECK
 HARRISBURG, PA 17110
 KYLE@KSDRAFTINGDESIGNLLC.COM
 717-228-7114

DRAWN BY: KYLE SCHNECK
 CHECKED BY: KYLE SCHNECK

DATE: 02/26/2017
 SHEET: **200**



1 FIRST FLOOR PLAN
 ARCH. REF.: 1/A1.1

1
 202

1
 203

2
 203

NO.	REVISION/ISSUED	DATE
1	1ST SUBMITTAL	02/26/2017

PROJECT NAME & LOCATION:
BROAD CREEK LIBRARY
 1425 NORCHESTER AVE.
 NORFOLK, VA

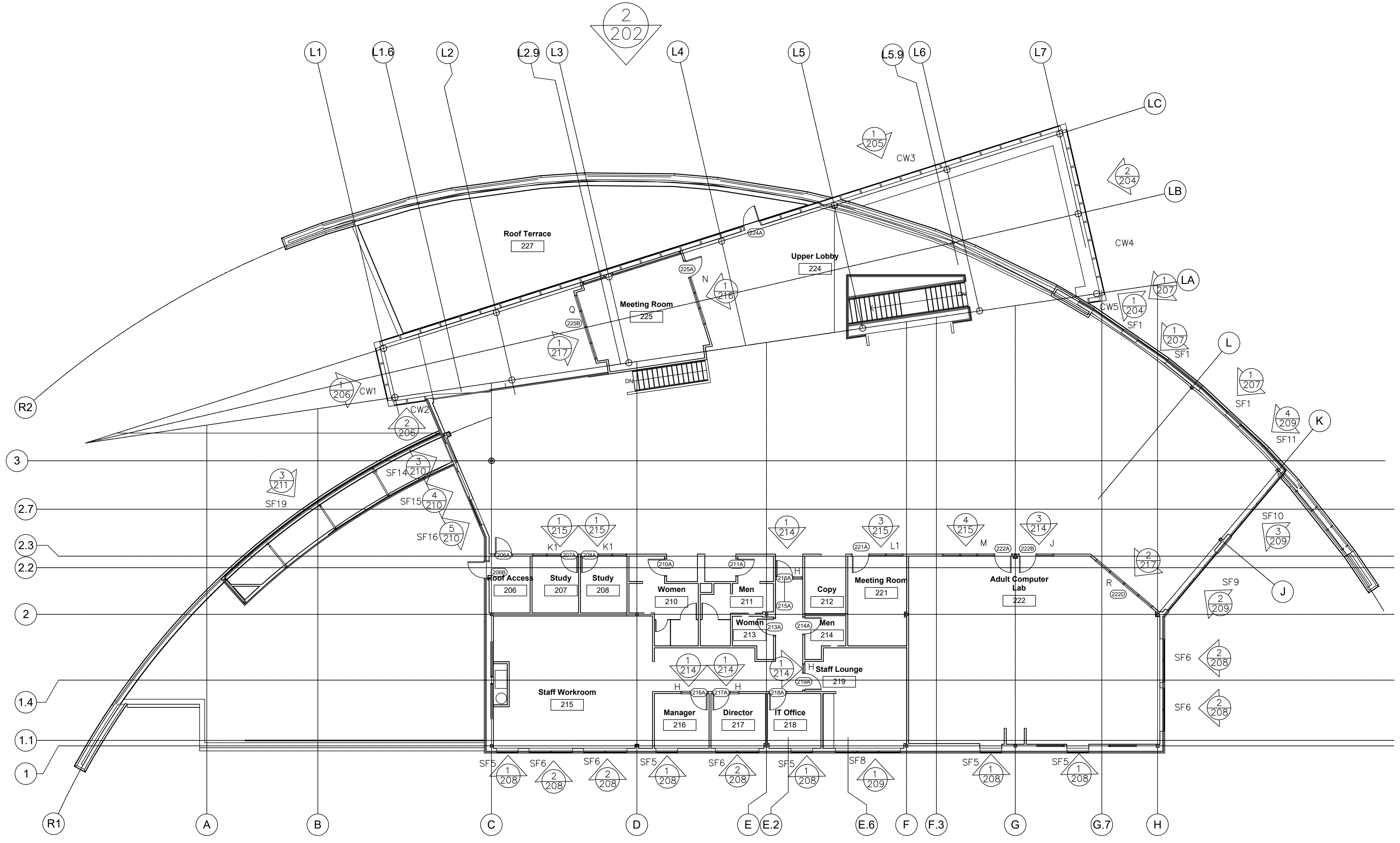
SHEET TITLE:
FLOOR PLAN

ARCHITECT:
 TMA

DRAWN BY:
 KS DRAFTING & DESIGN, LLC
 KYLE SCHNECK
 HARRISBURG, PA 17110
 KYLE@KSDRAFTINGDESIGNLLC.COM
 717-228-7114

DRAWN BY: KYLE SCHNECK
 CHECKED BY: KYLE SCHNECK

DATE: 02/26/2017
 SHEET: 201



1 SECOND FLOOR PLAN
 ARCH. REF.: 1/A1.2

NO.	REVISION/ISSUED	DATE
1	1ST SUBMITTAL	02/26/2017

PROJECT NAME & LOCATION:
BROAD CREEK LIBRARY
1425 NORCHESTER AVE.
NORFOLK, VA

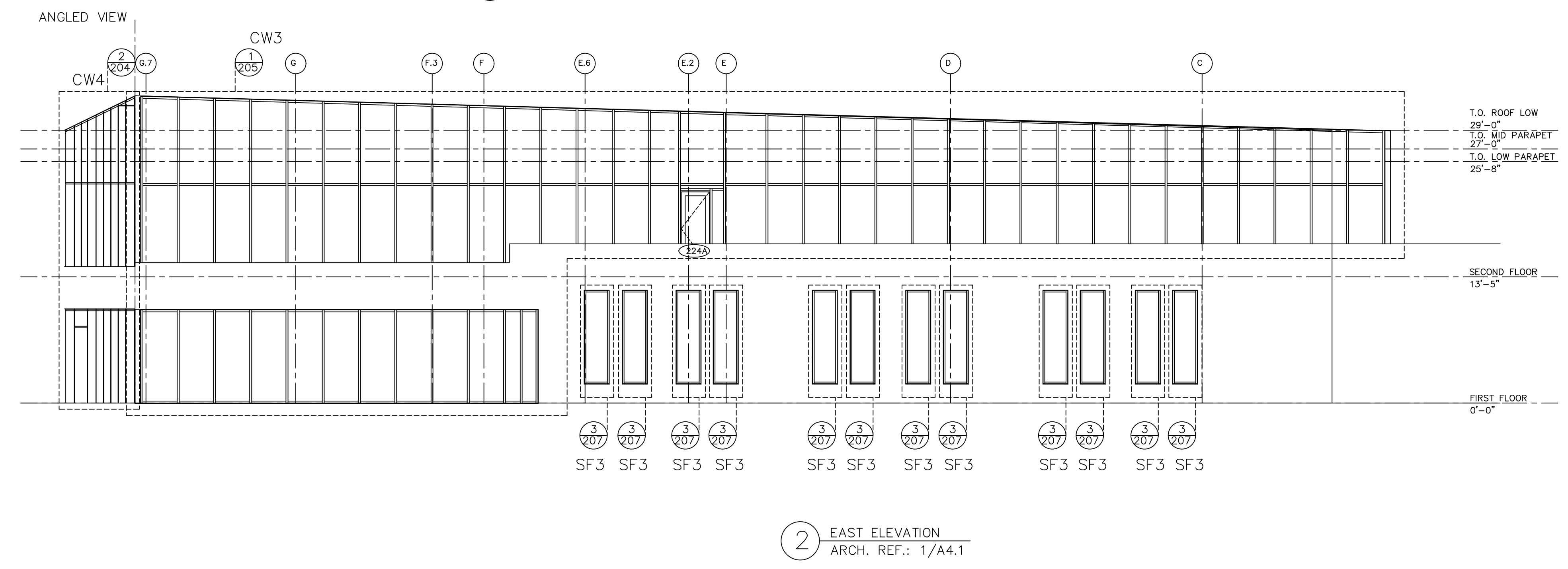
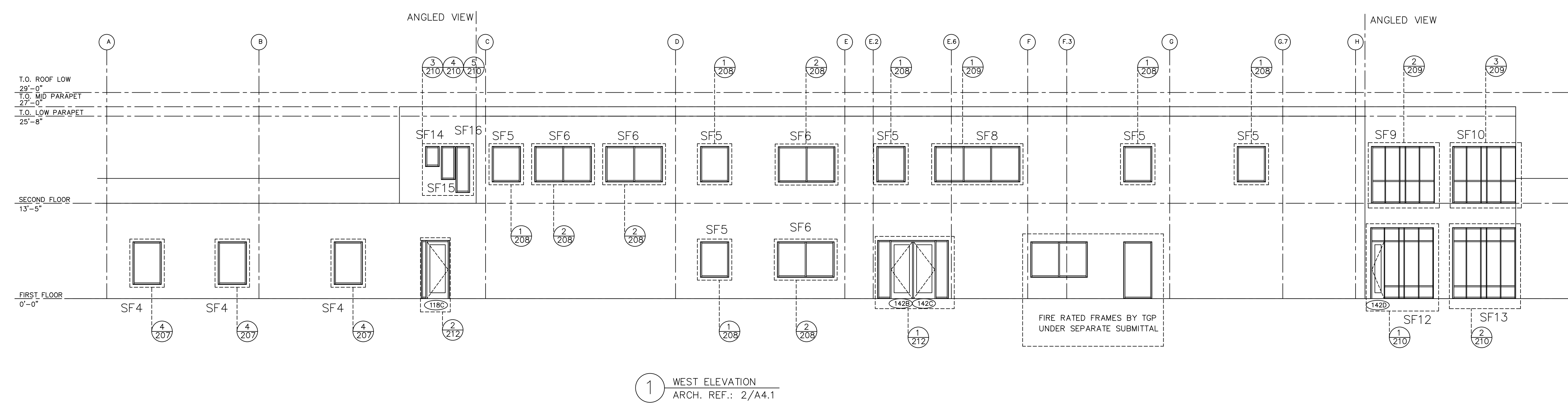
SHEET TITLE:
ELEVATIONS

ARCHITECT:
 TMA

DRAWN BY:
 KS DRAFTING & DESIGN, LLC
 KYLE SCHNECK
 HARRISBURG, PA 17110
 KYLE@KSDRAFTINGDESIGNLLC.COM
 717-228-7114

DRAWN BY: KYLE SCHNECK
 CHECKED BY: KYLE SCHNECK

DATE: 02/26/2017
 SHEET: **202**



2 EAST ELEVATION
 ARCH. REF.: 1/A4.1

NO.	REVISION/ISSUED	DATE
1	1ST SUBMITTAL	02/26/2017
2	REVISIONS	03/07/2017

PROJECT NAME & LOCATION:
BROAD CREEK LIBRARY
 1425 NORCHESTER AVE.
 NORFOLK, VA

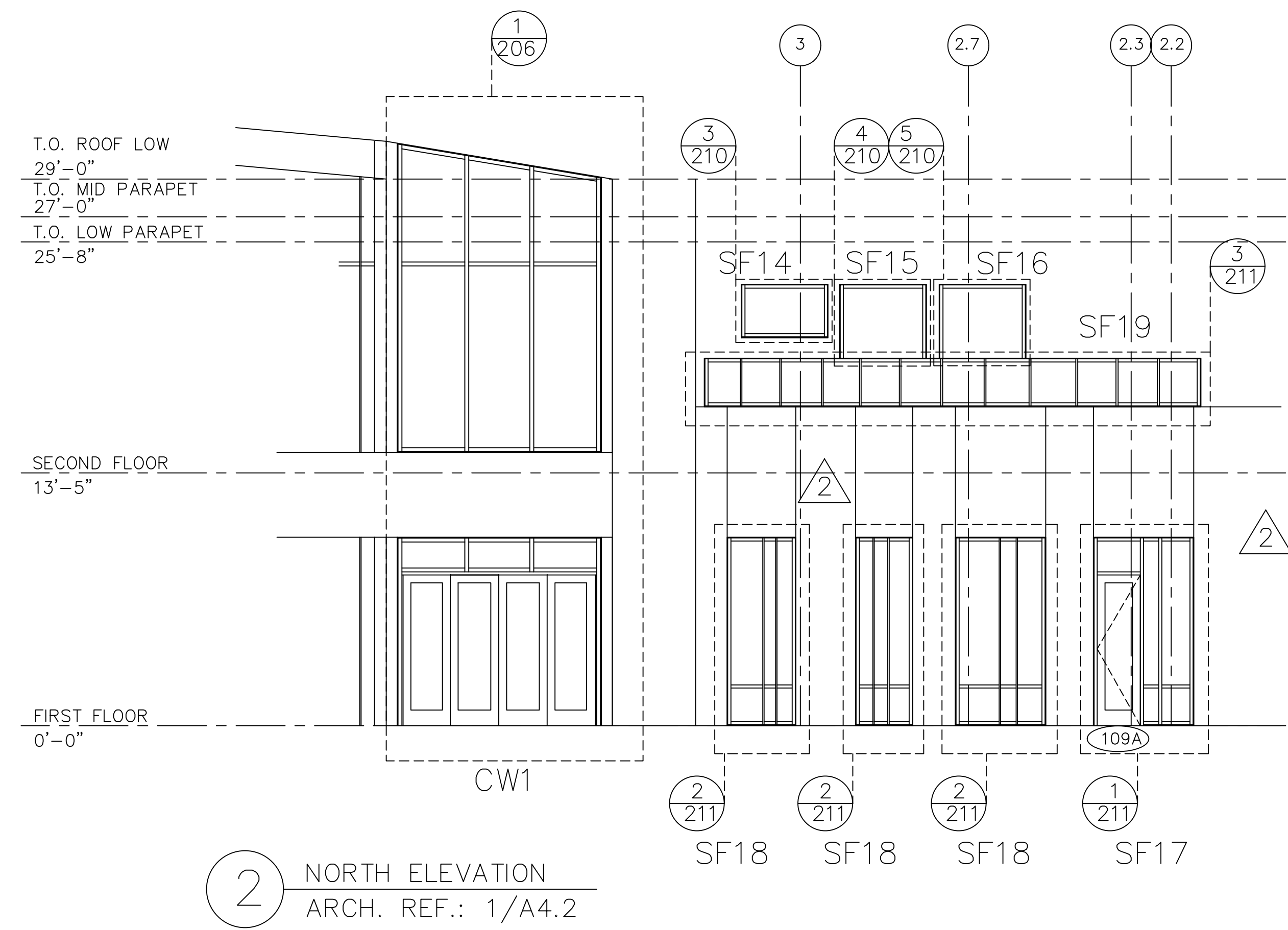
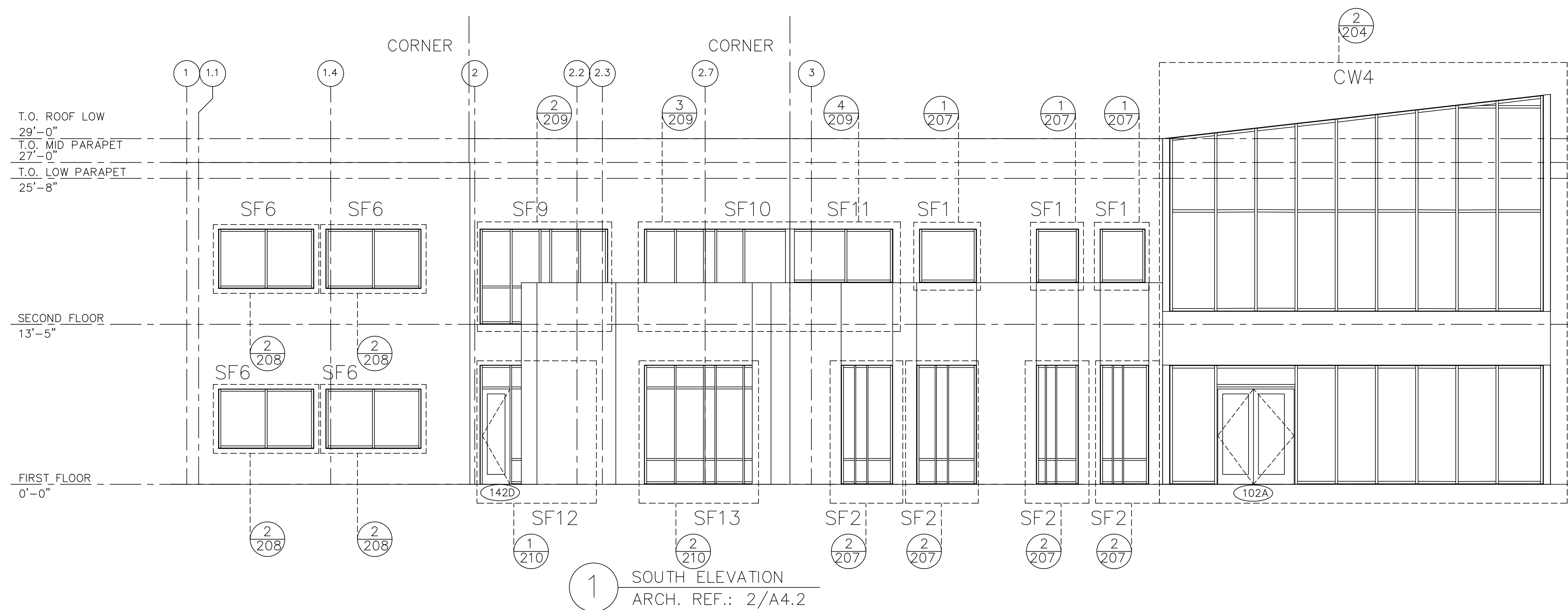
SHEET TITLE:
ELEVATIONS

ARCHITECT:
 TMA

DRAWN BY:
 KS DRAFTING & DESIGN, LLC
 KYLE SCHNECK
 HARRISBURG, PA 17110
 KYLE@KSDRAFTDESIGNLLC.COM
 717-228-7114

DRAWN BY: KYLE SCHNECK
 CHECKED BY: KYLE SCHNECK

DATE: 03/07/2017
 SHEET: **203**



NO.	REVISION/ISSUED	DATE
1	1ST SUBMITTAL	02/26/2017
2	REVISIONS	03/07/2017
3	PER ENGINEERING COMMENTS	03/27/2017

PROJECT NAME & LOCATION:
BROAD CREEK LIBRARY
1425 NORCHESTER AVE.
NORFOLK, VA

SHEET TITLE:
ELEVATIONS

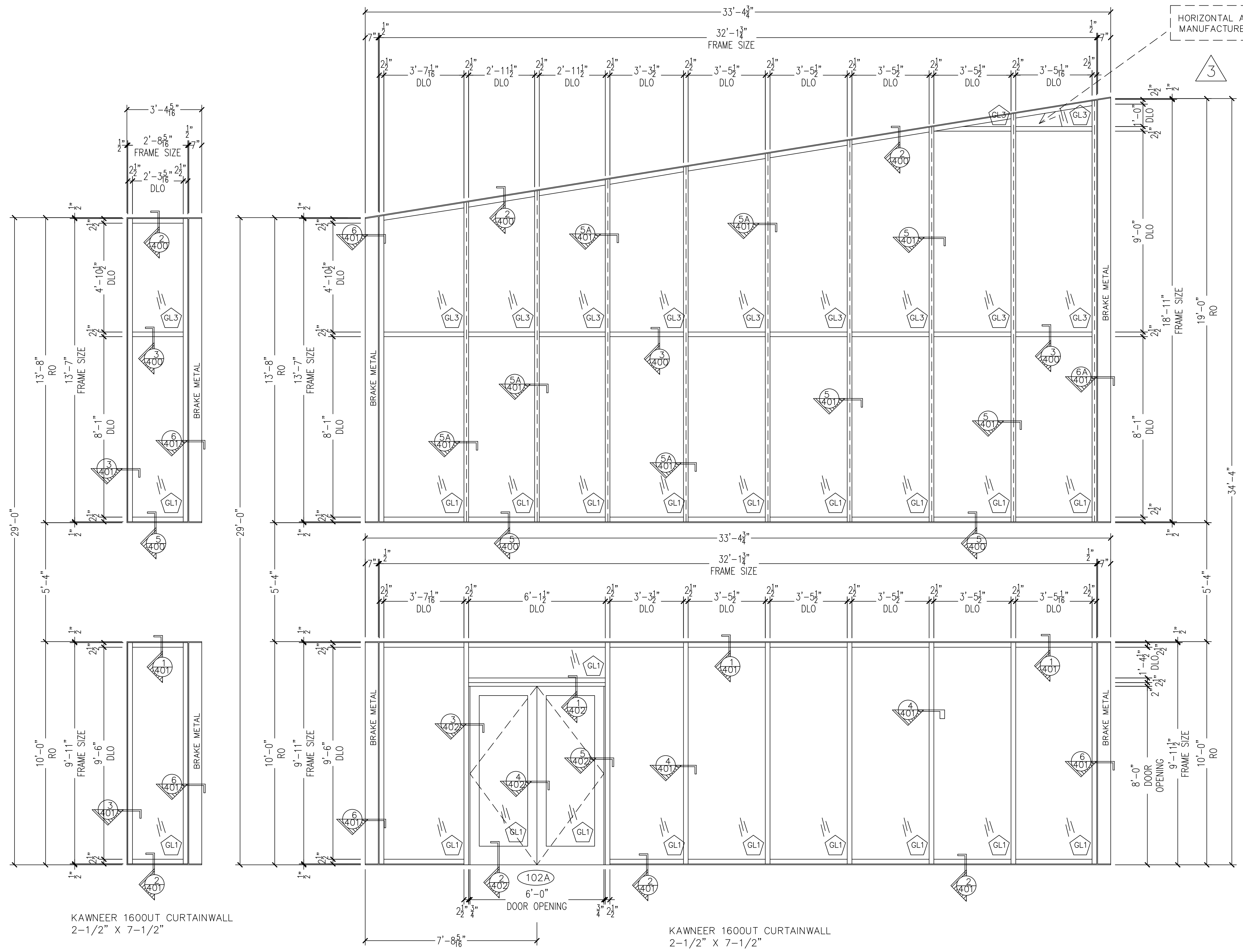
ARCHITECT:
 TMA

ARCHITECT'S OFFICE ADDRESS:
 (Empty)

DRAWN BY:
 KS DRAFTING & DESIGN, LLC
 KYLE SCHNECK
 HARRISBURG, PA 17110
 KYLE@KSDRAFTINGDESIGNLLC.COM
 717-228-7114

DRAWN BY: KYLE SCHNECK
 CHECKED BY: KYLE SCHNECK

DATE: 03/27/2017
 SHEET: 204



KAWNEER 1600UT CURTAINWALL
 2-1/2" X 7-1/2"

QTY 1
 1 CURTAINWALL 5
 ARCH. REF.: 5/X1.0

KAWNEER 1600UT CURTAINWALL
 2-1/2" X 7-1/2"
 KAWNEER 500 SERIES WIDE STILE DOORS

QTY 1
 2 CURTAINWALL 4
 ARCH. REF.: 4/X1.0

HORIZONTAL ADDED DUE TO
 MANUFACTURER GLASS SIZE LIMITS

NO.	REVISION/ISSUED	DATE
1	1ST SUBMITTAL	02/26/2017
3	PER ENGINEERING COMMENTS	03/27/2017

PROJECT NAME & LOCATION:
BROAD CREEK LIBRARY
1425 NORCHESTER AVE.
NORFOLK, VA

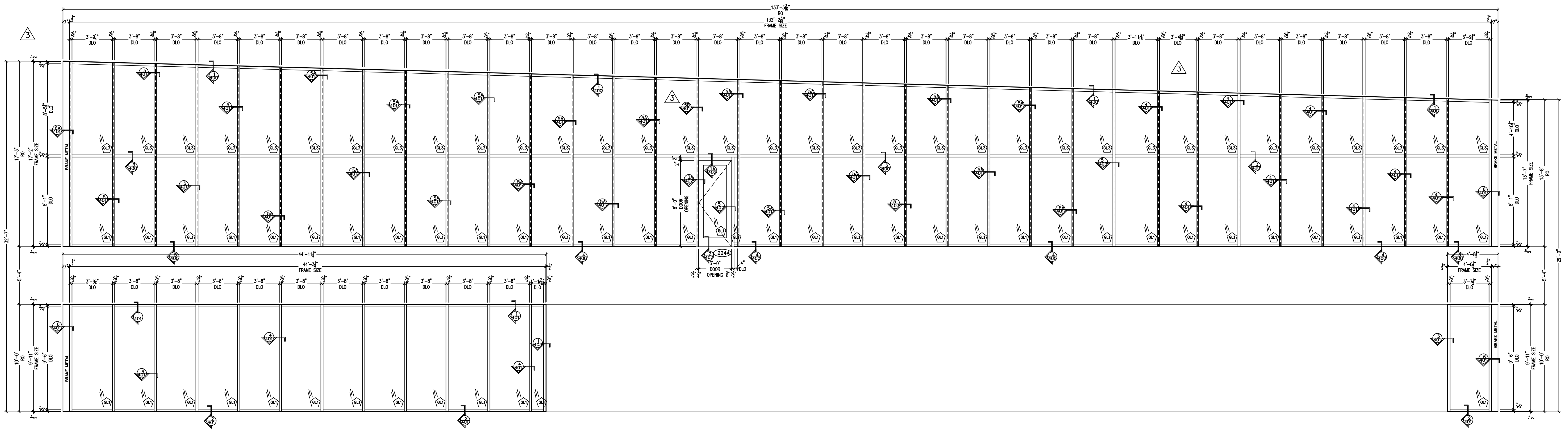
SHEET TITLE:
ELEVATIONS

ARCHITECT:
 TMA

DRAWN BY:
 KS DRAFTING & DESIGN, LLC
 KYLE SCHNECK
 HARRISBURG, PA 17110
 KYLE@KSDRAFTINGDESIGNLLC.COM
 717-228-7114

DRAWN BY: KYLE SCHNECK
 CHECKED BY: KYLE SCHNECK

DATE: 03/27/2017
 SHEET: 205



KAWNEER 1600UT CURTAINWALL
 2-1/2" X 7-1/2"
 KAWNEER 500 SERIES WIDE STILE DOORS
 R1Y-1
 1 CURTAINWALL 3
 ARCH. REF. 3/11.0

NO.	REVISION/ISSUED	DATE
1	1ST SUBMITTAL	02/26/2017
3	PER ENGINEERING COMMENTS	03/27/2017

PROJECT NAME & LOCATION:
BROAD CREEK LIBRARY
1425 NORCHESTER AVE.
NORFOLK, VA

SHEET TITLE:
ELEVATIONS

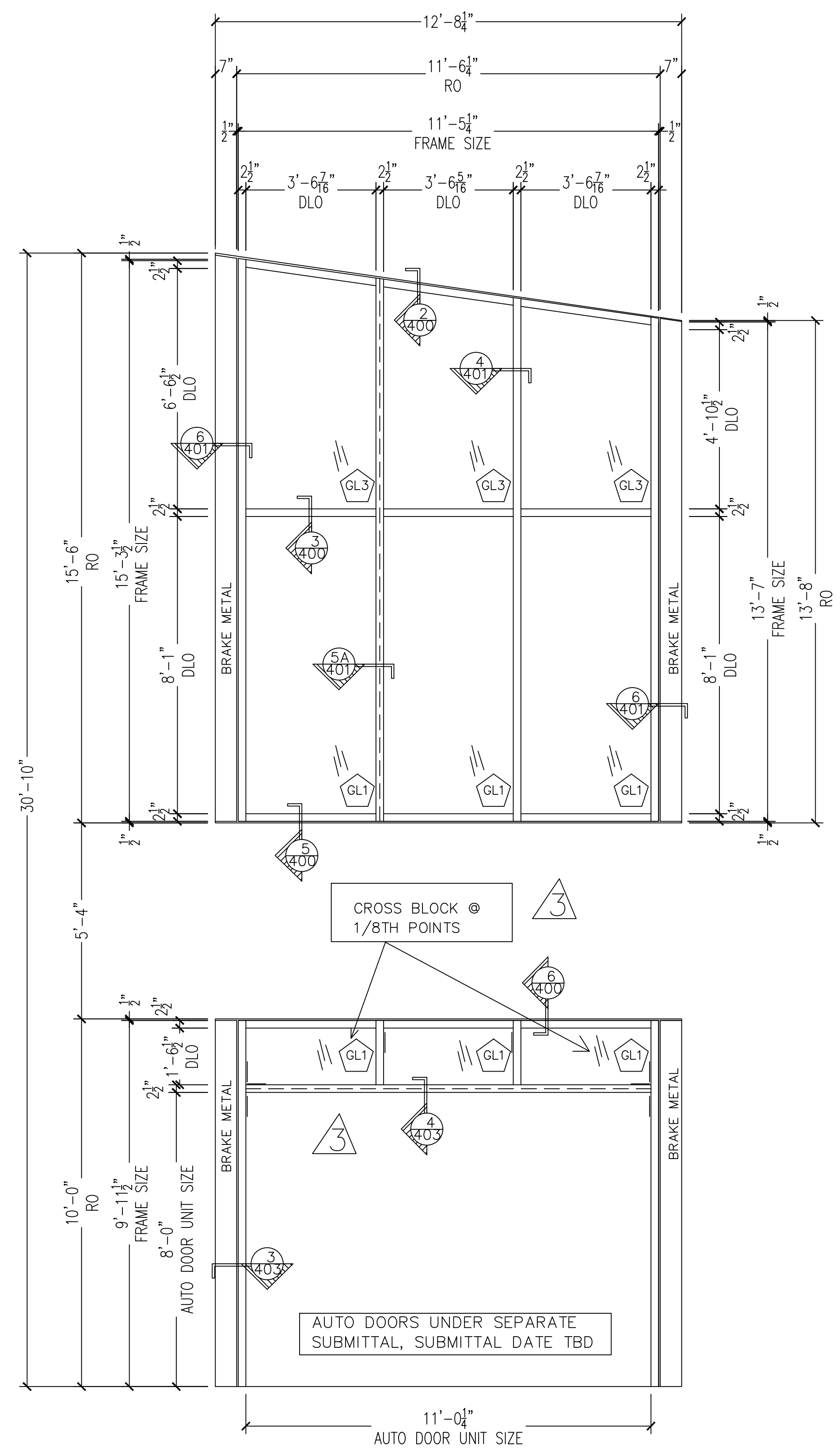
ARCHITECT:
 TMA

ARCHITECT'S SEAL

DRAWN BY:
 KS DRAFTING & DESIGN, LLC
 KYLE SCHNECK
 HARRISBURG, PA 17110
 KYLE@KSDRAFTINGDESIGNLLC.COM
 717-228-7114

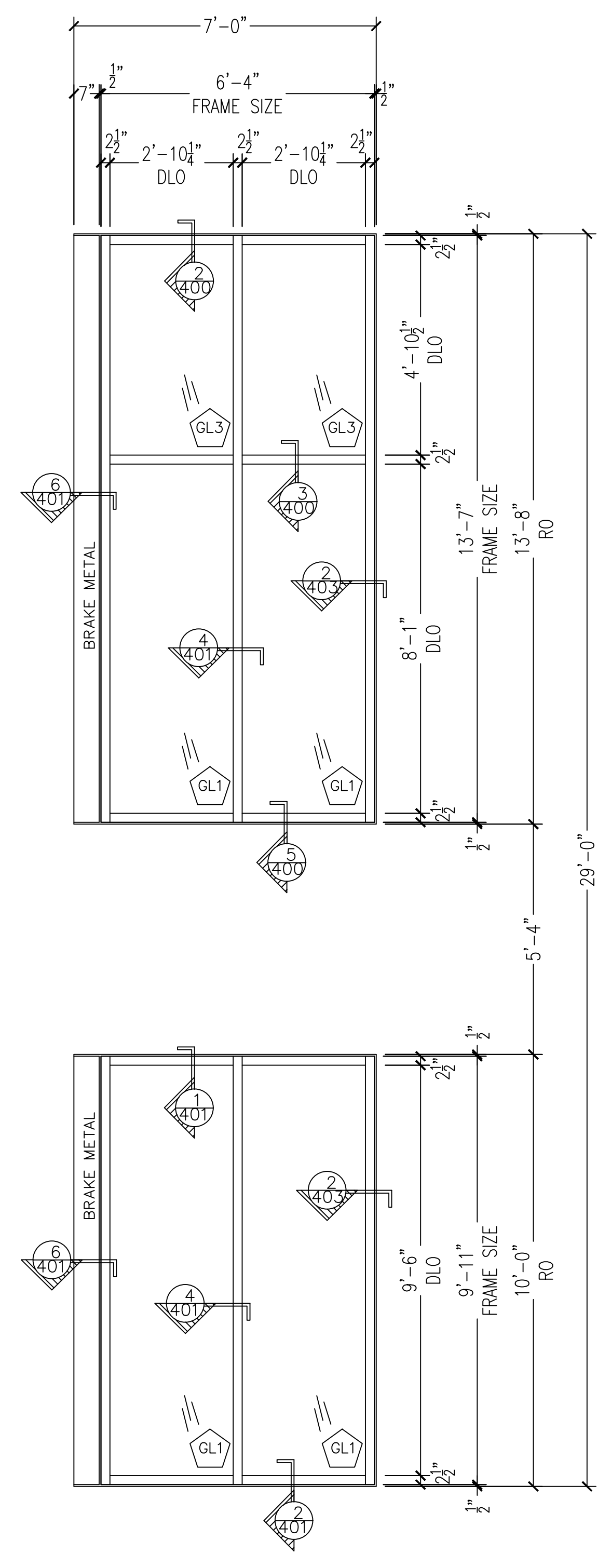
DRAWN BY: KYLE SCHNECK
 CHECKED BY: KYLE SCHNECK

DATE: 03/27/2017
 SHEET: 206



KAWNEER 1600UT CURTAINWALL
 2-1/2" X 7-1/2"

QTY 1
 1 CURTAINWALL 1
 ARCH. REF.: 1/X1.0



KAWNEER 1600UT CURTAINWALL
 2-1/2" X 7-1/2"

QTY 1
 2 CURTAINWALL 2
 ARCH. REF.: 2/X1.0

NO.	REVISION/ISSUED	DATE
1	1ST SUBMITTAL	02/26/2017
3	PER ENGINEERING COMMENTS	03/27/2017

PROJECT NAME & LOCATION:
BROAD CREEK LIBRARY
1425 NORCHESTER AVE.
NORFOLK, VA

SHEET TITLE:
ELEVATIONS

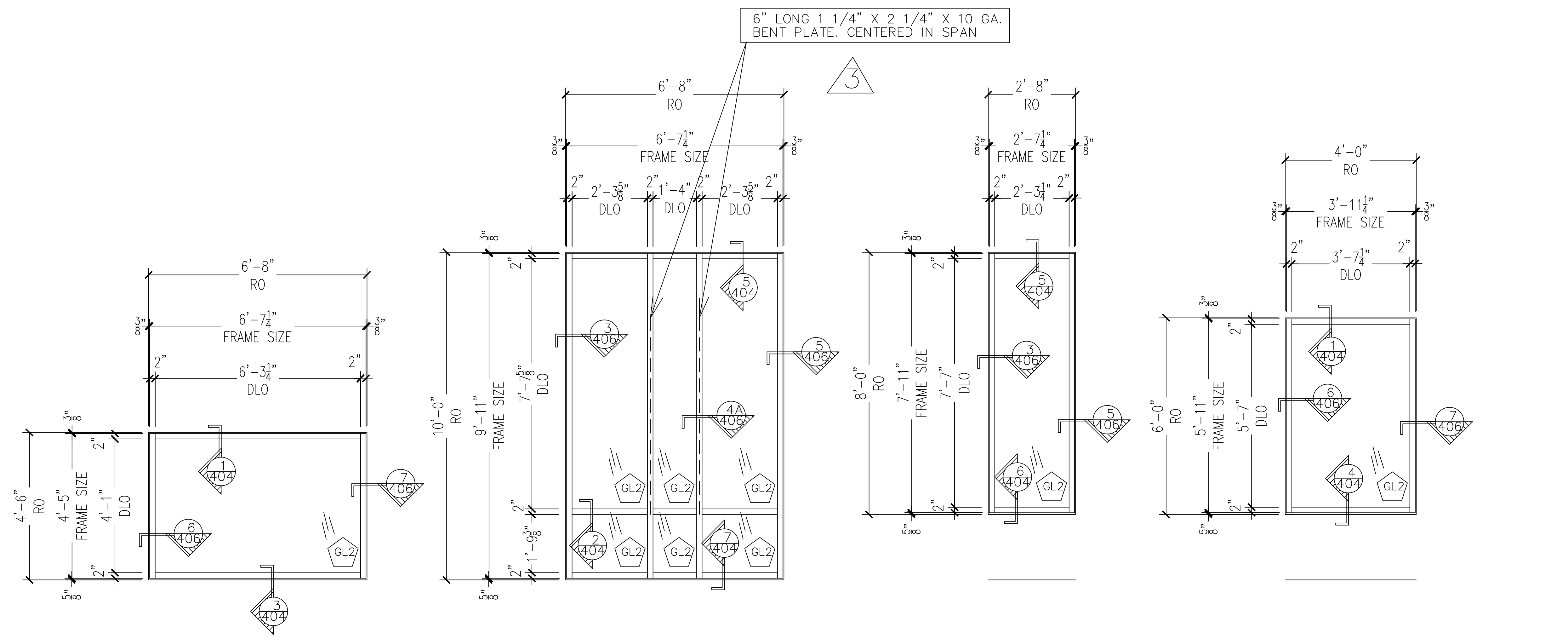
ARCHITECT:
 TMA

ARCHITECT:

DRAWN BY:
 KS DRAFTING & DESIGN, LLC
 KYLE SCHNECK
 HARRISBURG, PA 17110
 KYLE@KSDRAFTINGDESIGNLLC.COM
 717-228-7114

DRAWN BY: KYLE SCHNECK
 CHECKED BY: KYLE SCHNECK

DATE: 03/27/2017
 SHEET: 207



KAWNEER 451T EXTERIOR STOREFRONT
 2" X 4-1/2" FRONT SET THERMAL FRAMING

KAWNEER 451T EXTERIOR STOREFRONT
 2" X 4-1/2" FRONT SET THERMAL FRAMING

KAWNEER 451T EXTERIOR STOREFRONT
 2" X 4-1/2" FRONT SET THERMAL FRAMING

KAWNEER 451T EXTERIOR STOREFRONT
 2" X 4-1/2" FRONT SET THERMAL FRAMING

QTY 3
 1 ELEVATION 1
 ARCH. REF.: 1/A4.1

QTY 4
 2 ELEVATION 2
 ARCH. REF.: 1/A4.1

QTY 12
 3 ELEVATION 3
 ARCH. REF.: 1/A4.1

QTY 3
 4 ELEVATION 4
 ARCH. REF.: 1/A4.1

NO.	REVISION/ISSUED	DATE
1	1ST SUBMITTAL	02/26/2017
3	PER ENGINEERING COMMENTS	03/27/2017

PROJECT NAME & LOCATION:
BROAD CREEK LIBRARY
 1425 NORCHESTER AVE.
 NORFOLK, VA

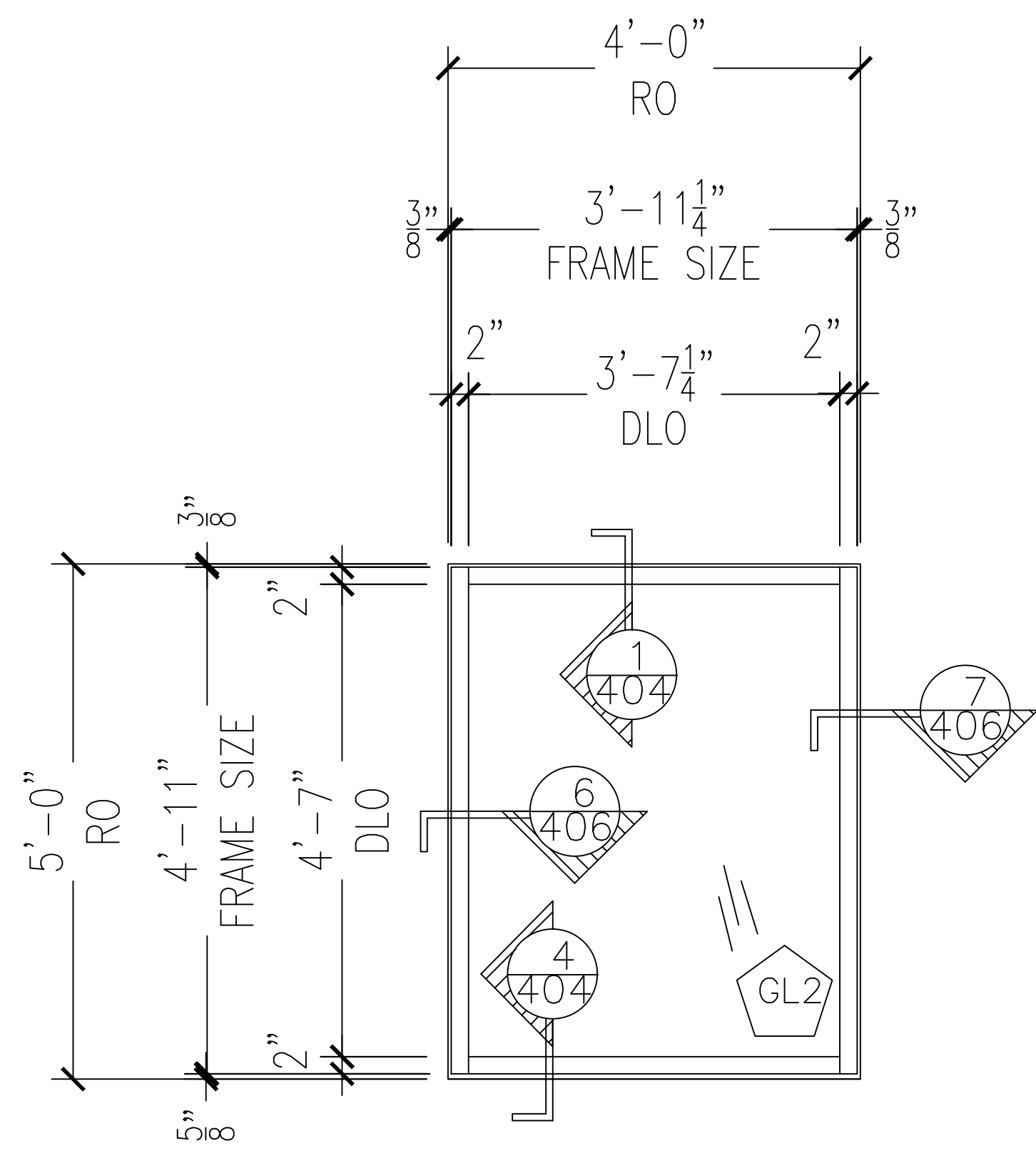
SHEET TITLE:
ELEVATIONS

ARCHITECT:
 TMA

DRAWN BY:
 KS DRAFTING & DESIGN, LLC
 KYLE SCHNECK
 HARRISBURG, PA 17110
 KYLE@KSDRAFTINGDESIGNLLC.COM
 717-228-7114

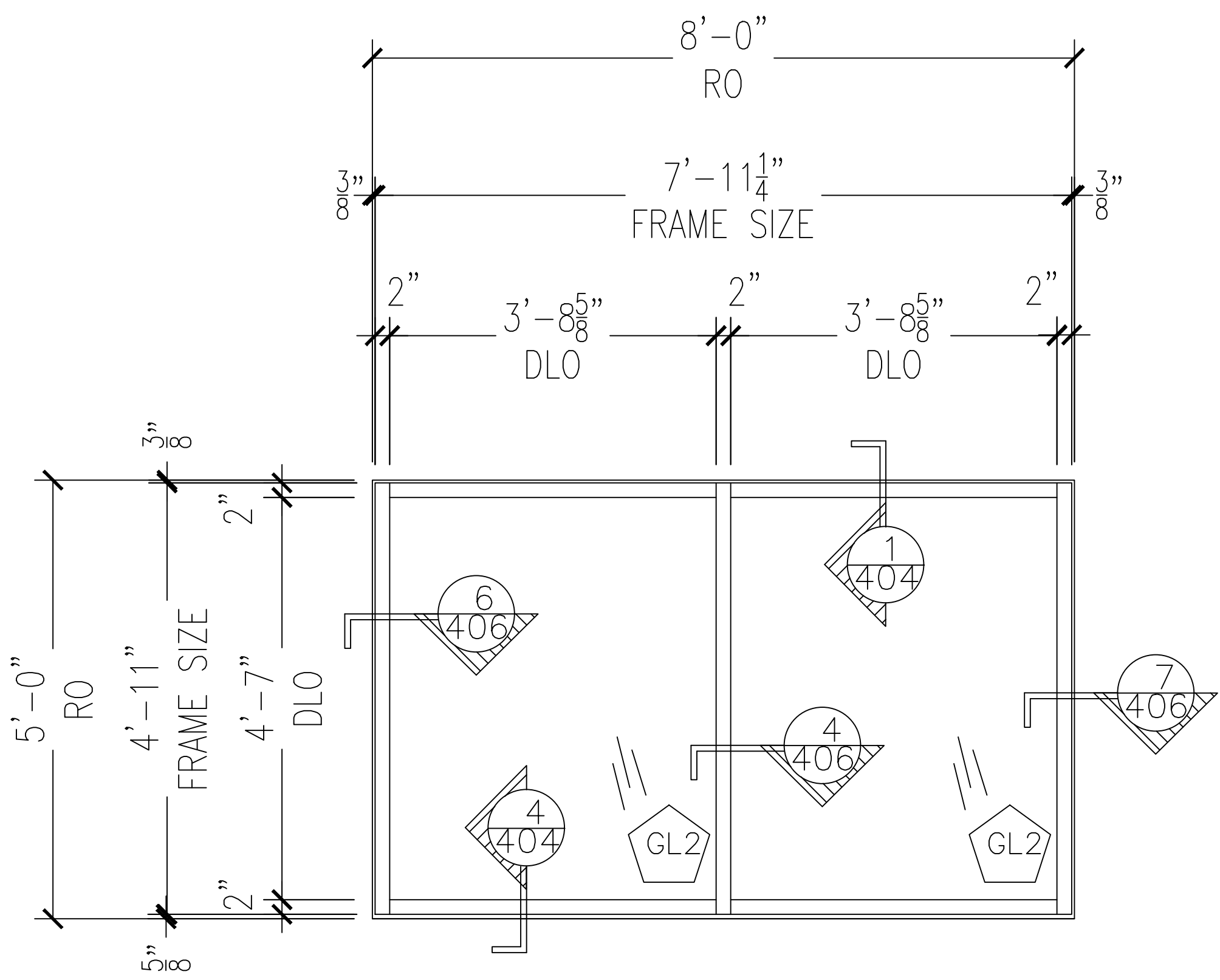
DRAWN BY: KYLE SCHNECK
 CHECKED BY: KYLE SCHNECK

DATE: 03/27/2017
 SHEET: 208



KAWNEER 451T EXTERIOR STOREFRONT
 2" X 4-1/2" FRONT SET THERMAL FRAMING

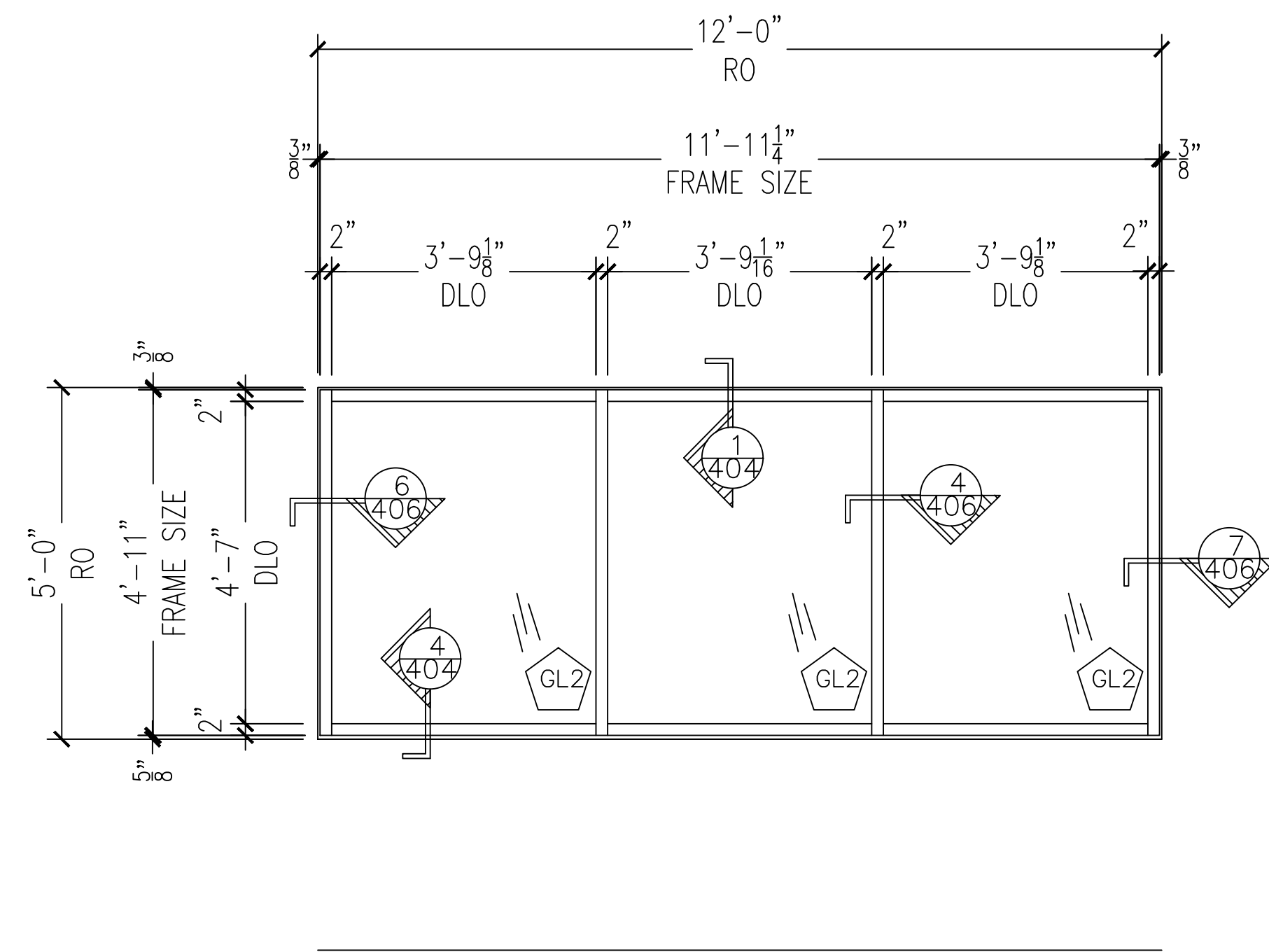
QTY 6
 1 ELEVATION 5
 ARCH. REF.: 1/A4.1



KAWNEER 451T EXTERIOR STOREFRONT
 2" X 4-1/2" FRONT SET THERMAL FRAMING

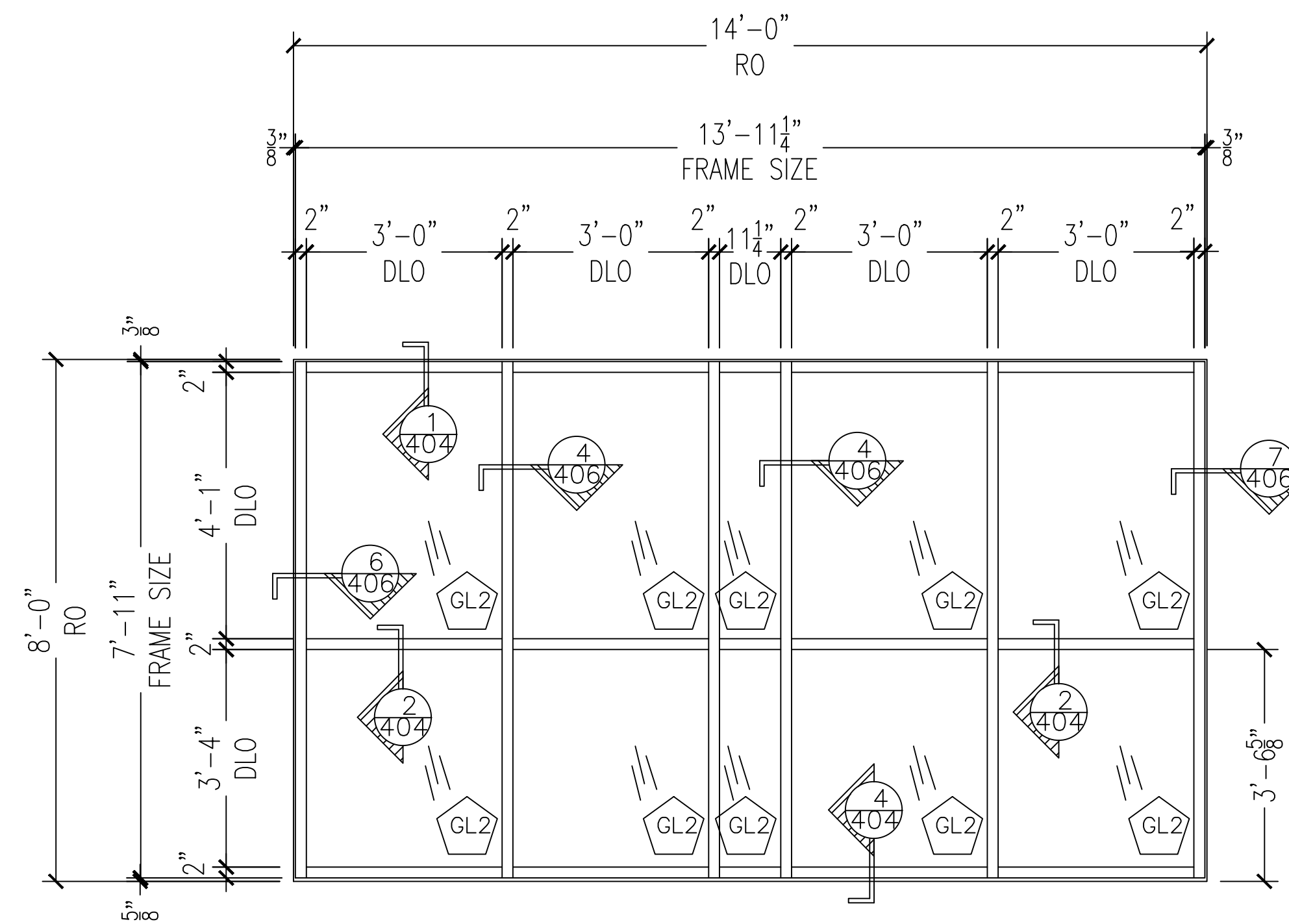
QTY 8
 2 ELEVATION 6
 ARCH. REF.: 1/A4.1

NO.	REVISION/ISSUED	DATE
1	1ST SUBMITTAL	02/26/2017
3	PER ENGINEERING COMMENTS	03/27/2017



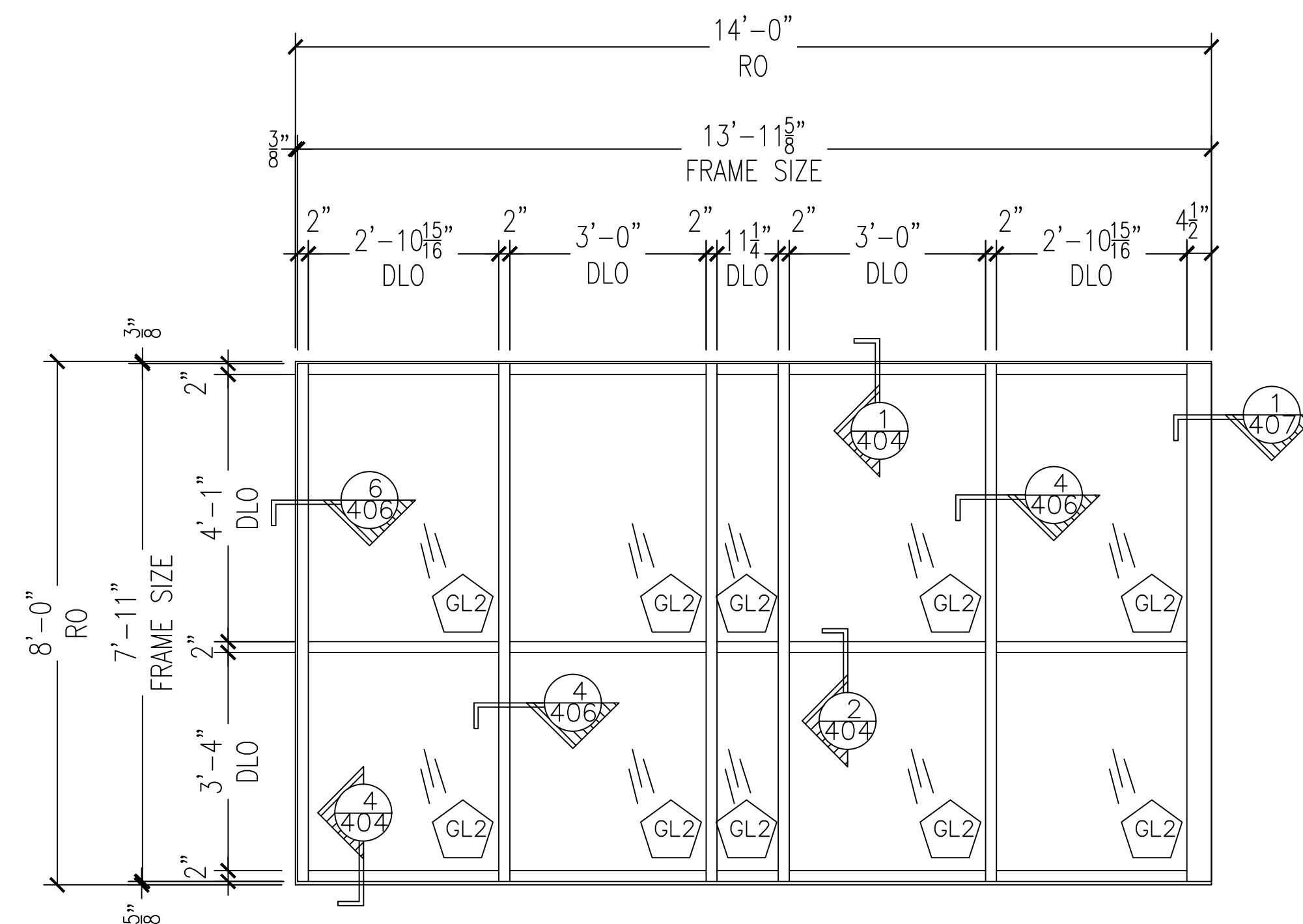
KAWNEER 451T EXTERIOR STOREFRONT
2" X 4-1/2" FRONT SET THERMAL FRAMING

QTY 1
1 ELEVATION 8
ARCH. REF.: 1/A4.1



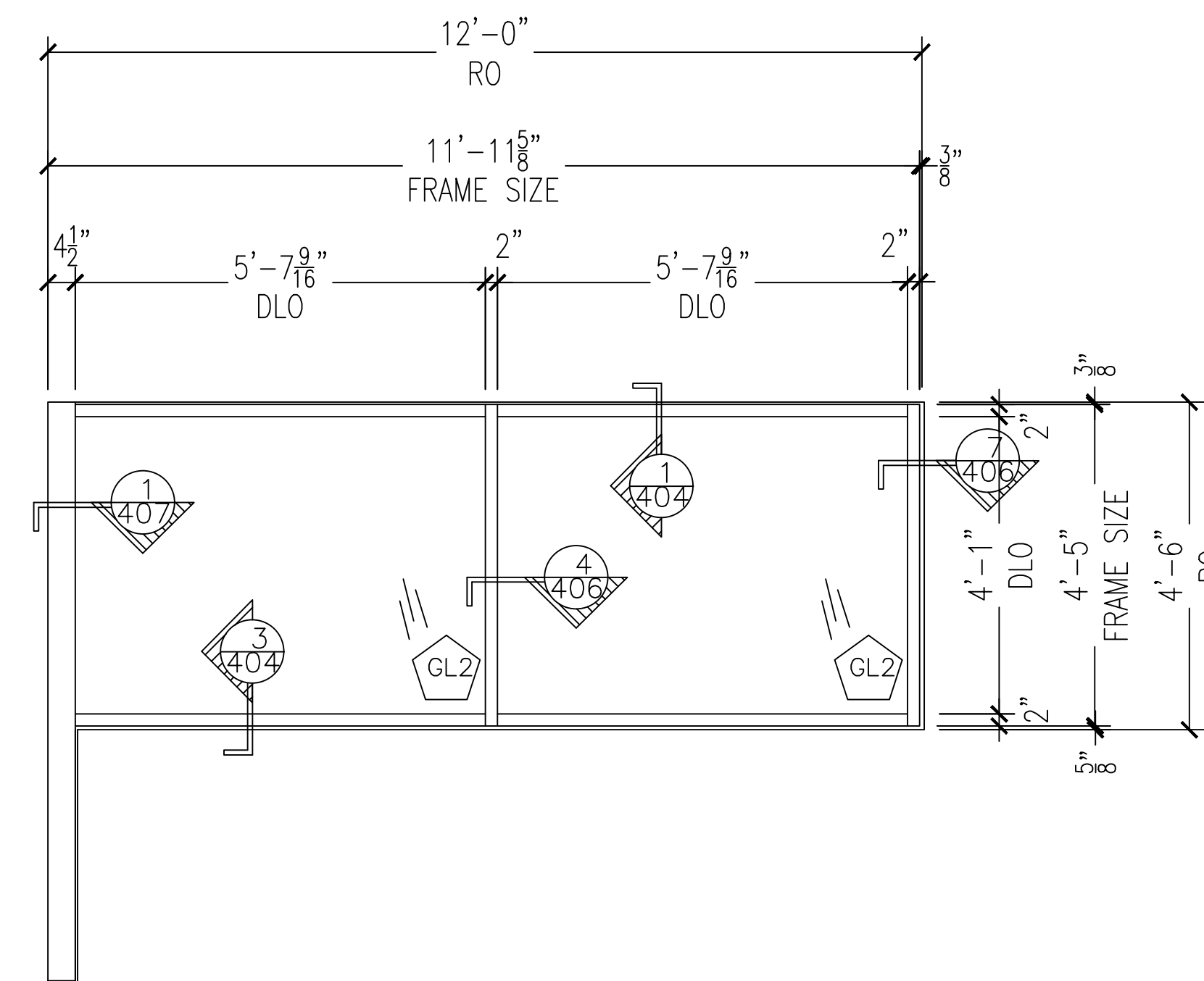
KAWNEER 451T EXTERIOR STOREFRONT
2" X 4-1/2" FRONT SET THERMAL FRAMING

QTY 1
2 ELEVATION 9
ARCH. REF.: 1/A4.1



KAWNEER 451T EXTERIOR STOREFRONT
2" X 4-1/2" FRONT SET THERMAL FRAMING

QTY 1
3 ELEVATION 10
ARCH. REF.: 1/A4.1



KAWNEER 451T EXTERIOR STOREFRONT
2" X 4-1/2" FRONT SET THERMAL FRAMING

QTY 1
4 ELEVATION 11
ARCH. REF.: 1/A4.1

PROJECT NAME & LOCATION:
BROAD CREEK LIBRARY
1425 NORCHESTER AVE.
NORFOLK, VA

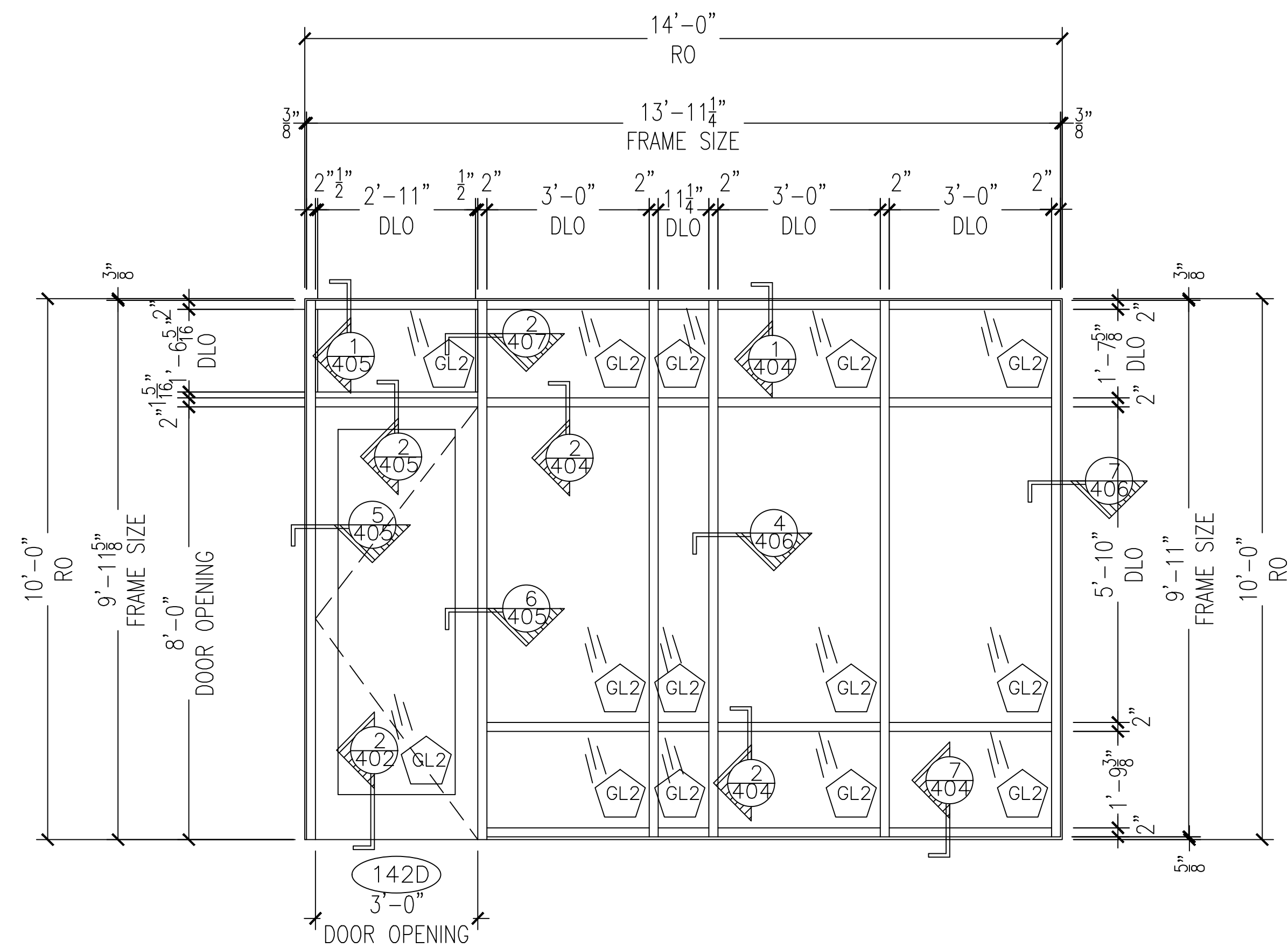
SHEET TITLE:
ELEVATIONS

ARCHITECT:
TMA

DRAWN BY:
KS DRAFTING & DESIGN, LLC
KYLE SCHNECK
HARRISBURG, PA 17110
KYLE@KSDRAFTINGDESIGNLLC.COM
717-228-7114

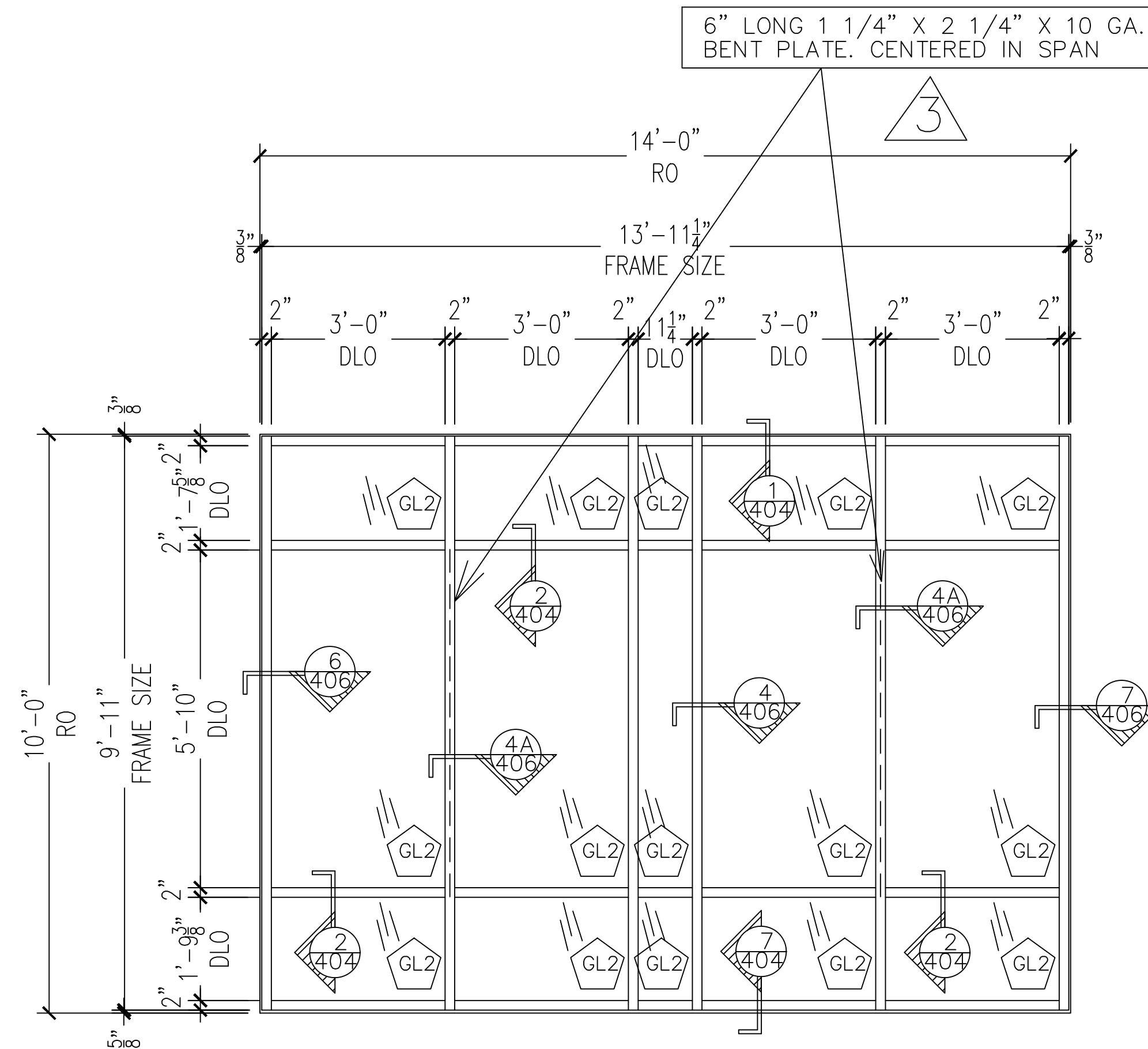
DRAWN BY: KYLE SCHNECK
CHECKED BY: KYLE SCHNECK

DATE: 03/27/2017
SHEET: 209



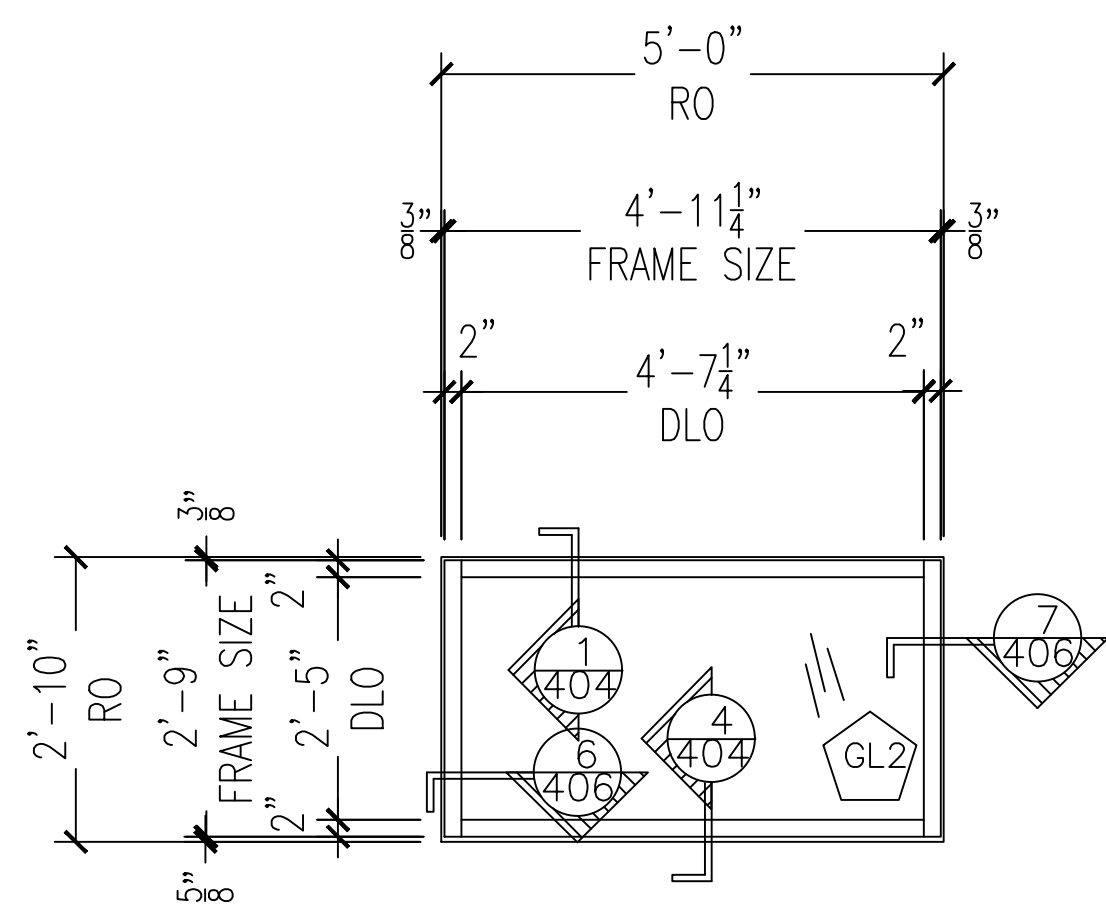
KAWNEER 451T EXTERIOR STOREFRONT
2" X 4-1/2" FRONT SET THERMAL FRAMING
KAWNEER 500 SERIES WIDE STILE DOORS

QTY 1
1 ELEVATION 12
ARCH. REF.: 1/A4.1



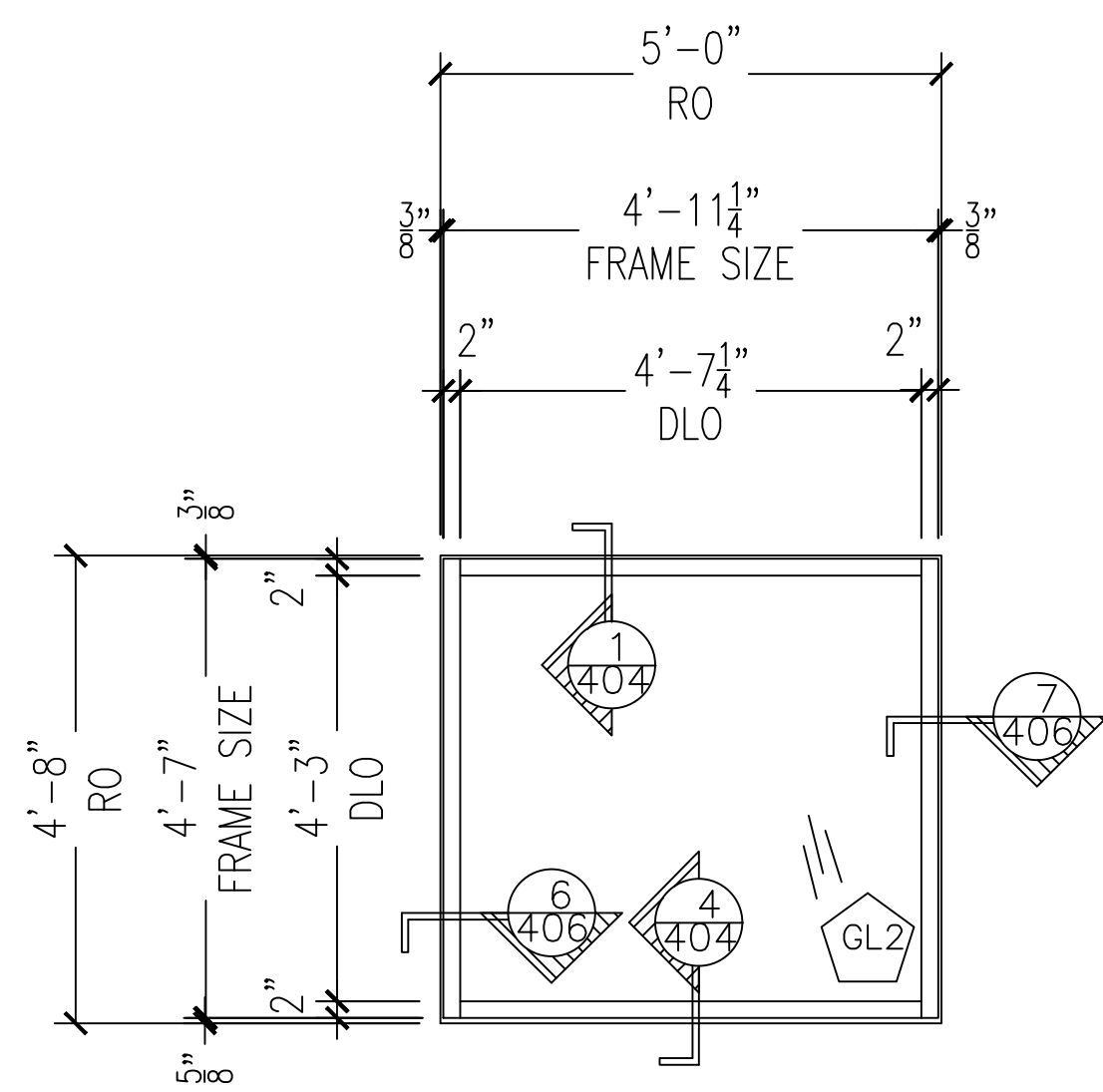
KAWNEER 451T EXTERIOR STOREFRONT
2" X 4-1/2" FRONT SET THERMAL FRAMING

QTY 1
2 ELEVATION 13
ARCH. REF.: 1/A4.1



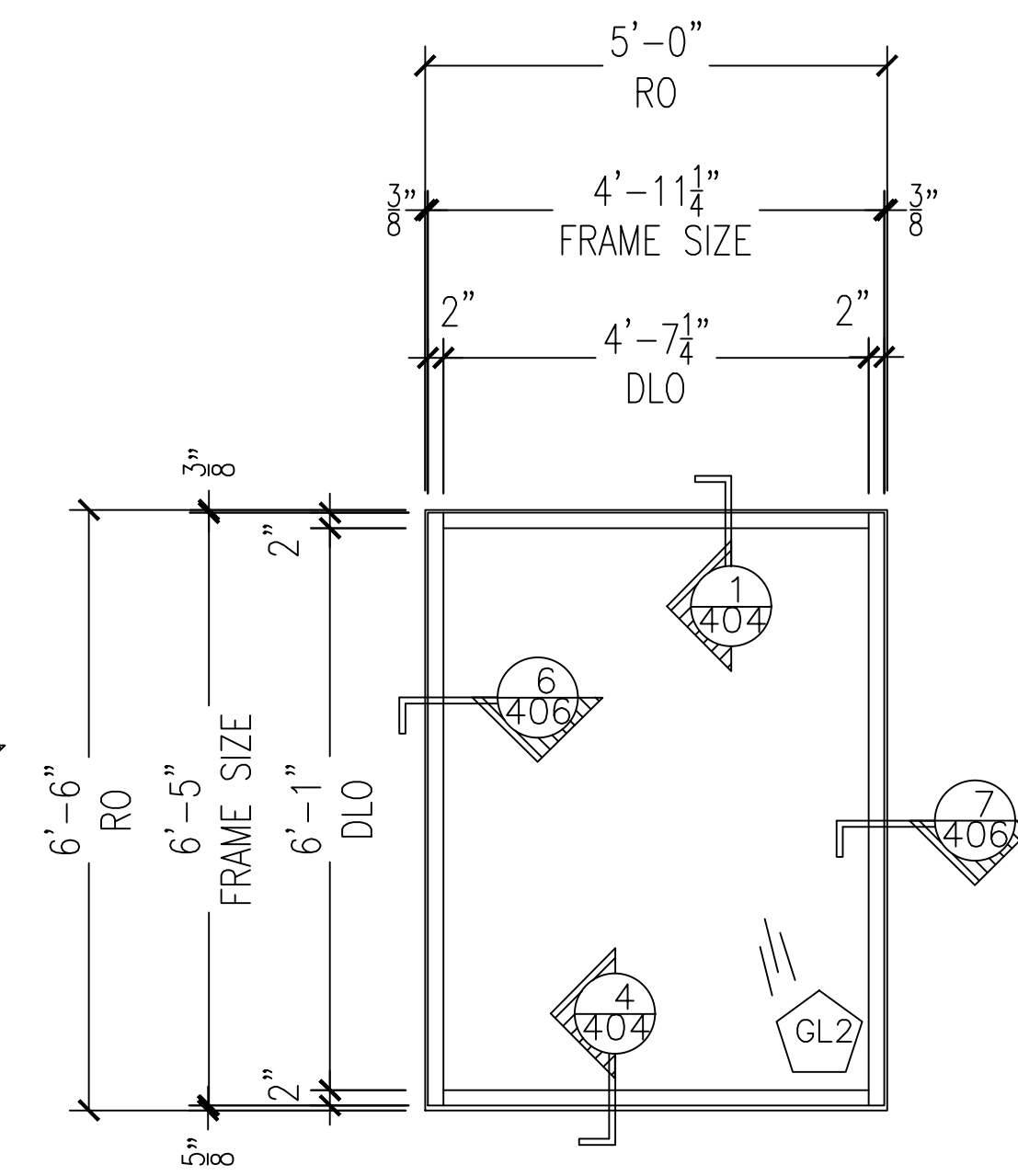
KAWNEER 451T EXTERIOR STOREFRONT
2" X 4-1/2" FRONT SET THERMAL FRAMING

QTY 1
3 ELEVATION 14
ARCH. REF.: 1/A4.1



KAWNEER 451T EXTERIOR STOREFRONT
2" X 4-1/2" FRONT SET THERMAL FRAMING

QTY 1
4 ELEVATION 15
ARCH. REF.: 1/A4.1



KAWNEER 451T EXTERIOR STOREFRONT
2" X 4-1/2" FRONT SET THERMAL FRAMING

QTY 1
5 ELEVATION 16
ARCH. REF.: 1/A4.1

NO.	REVISION/ISSUED	DATE
1	1ST SUBMITTAL	02/26/2017
3	PER ENGINEERING COMMENTS	03/27/2017

PROJECT NAME & LOCATION:
**BROAD CREEK LIBRARY
1425 NORCHESTER AVE.
NORFOLK, VA**

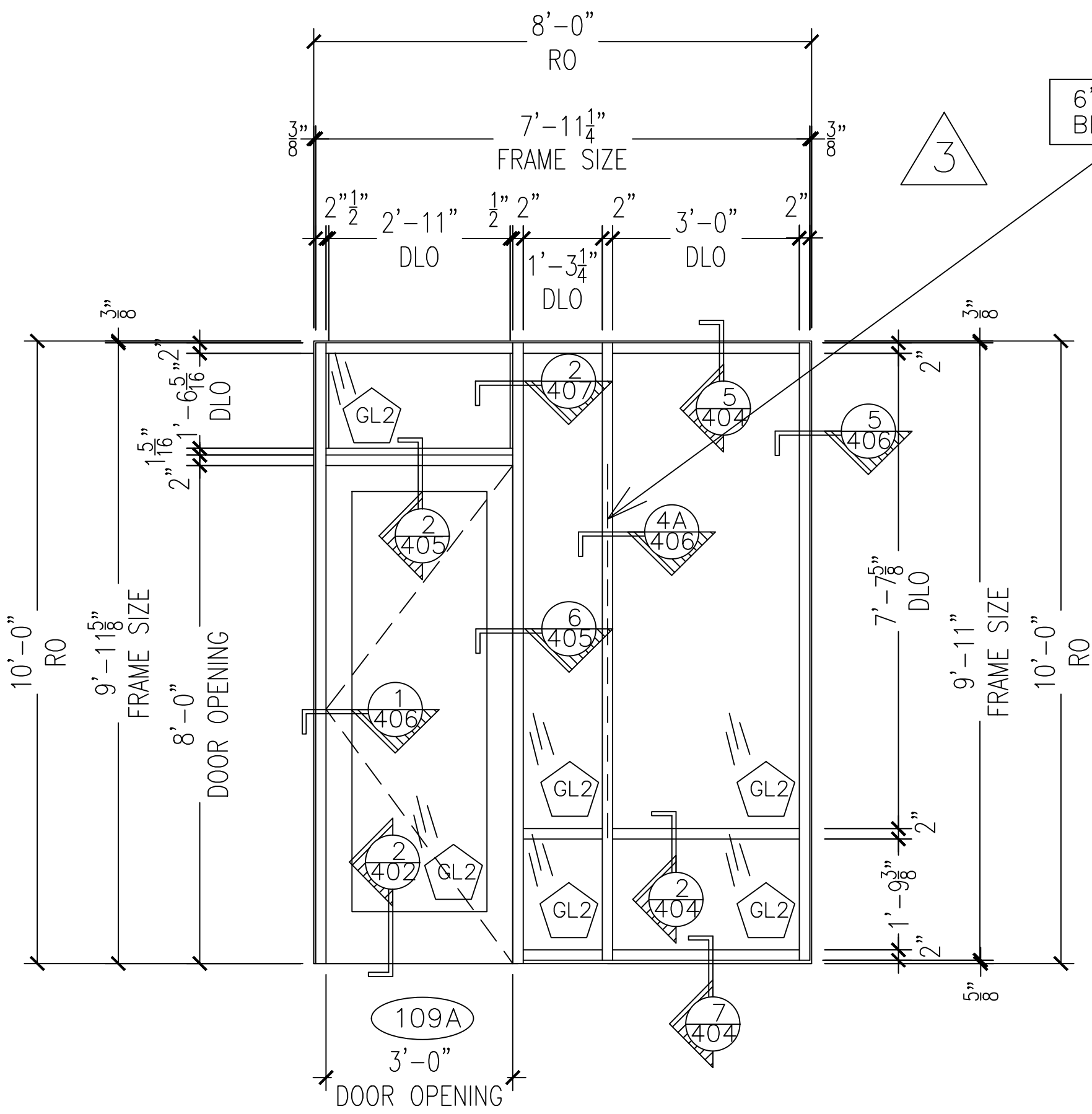
SHEET TITLE:
ELEVATIONS

ARCHITECT:
TMA

DRAWN BY:
KS DRAFTING & DESIGN, LLC
KYLE SCHNECK
HARRISBURG, PA 17110
KYLE@KSDRAFTINGDESIGNLLC.COM
717-228-7114

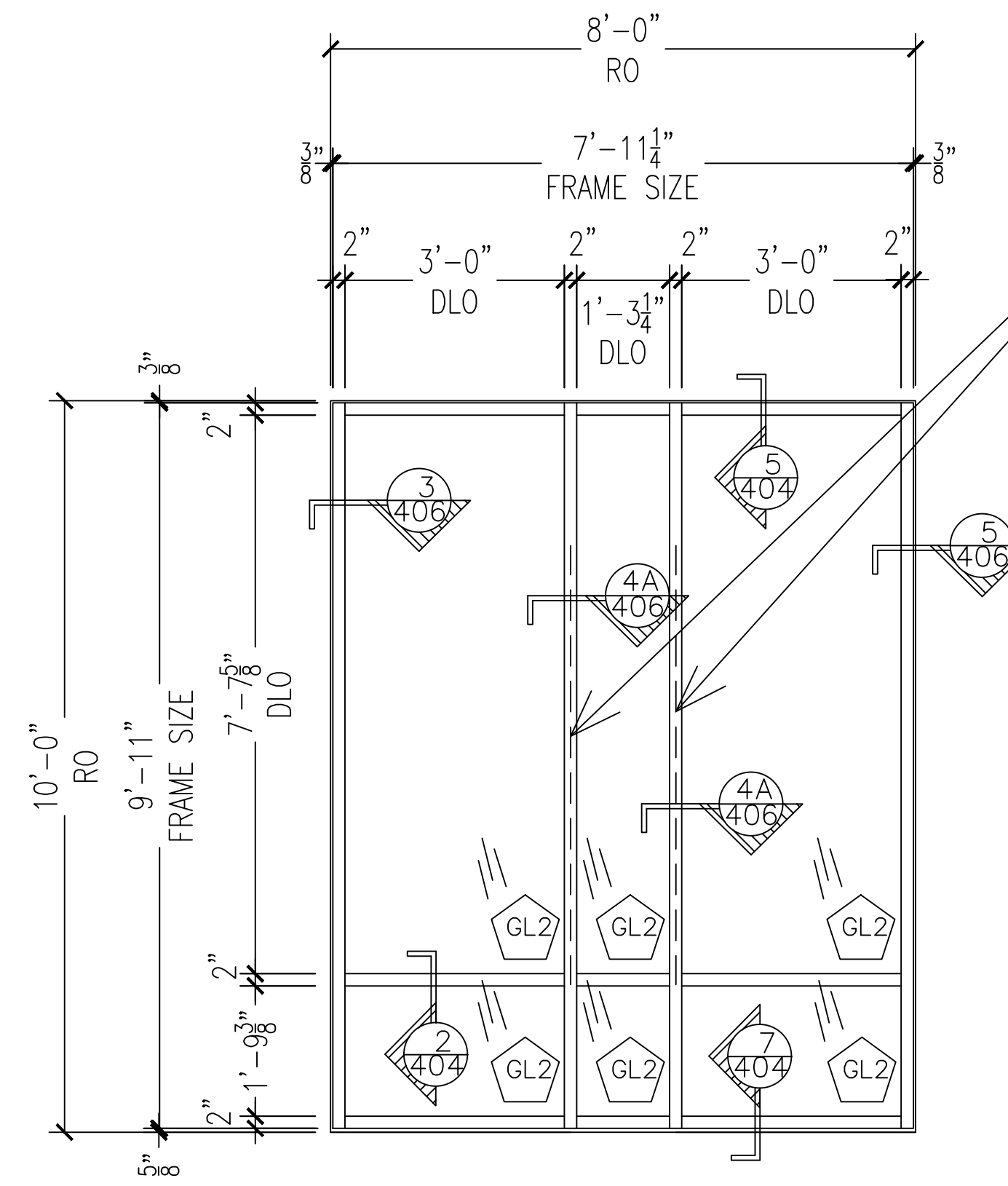
DRAWN BY: KYLE SCHNECK
CHECKED BY: KYLE SCHNECK

DATE: 03/27/2017
SHEET: 210



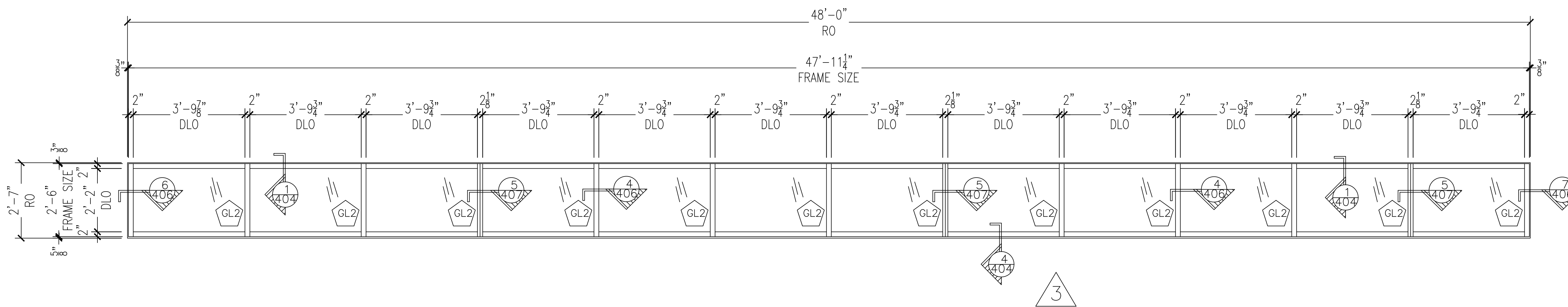
KAWNEER 451T EXTERIOR STOREFRONT
 2" X 4-1/2" FRONT SET THERMAL FRAMING
 KAWNEER 500 SERIES WIDE STILE DOORS

QTY 1
 1 ELEVATION 17
 ARCH. REF.: 1/A4.2



KAWNEER 451T EXTERIOR STOREFRONT
 2" X 4-1/2" FRONT SET THERMAL FRAMING

QTY 3
 2 ELEVATION 18
 ARCH. REF.: 1/A4.2



KAWNEER 451T EXTERIOR STOREFRONT
 2" X 4-1/2" FRONT SET THERMAL FRAMING

QTY 1
 3 ELEVATION 19
 ARCH. REF.: 1/A4.1

NO.	REVISION/ISSUED	DATE
1	1ST SUBMITTAL	02/26/2017
2	REVISIONS	03/07/2017
3	PER ENGINEERING COMMENTS	03/27/2017

PROJECT NAME & LOCATION:
 BROAD CREEK LIBRARY
 1425 NORCHESTER AVE.
 NORFOLK, VA

SHEET TITLE:
 ELEVATIONS

ARCHITECT:
 TMA

ARCHITECT:

DRAWN BY:
 KS DRAFTING & DESIGN, LLC
 KYLE SCHNECK
 HARRISBURG, PA 17110
 KYLE@KSDRAFTINGDESIGNLLC.COM
 717-228-7114

DRAWN BY: KYLE SCHNECK
 CHECKED BY: KYLE SCHNECK

DATE: 03/27/2017
 SHEET: 211

NO.	REVISION/ISSUED	DATE
1	1ST SUBMITTAL	02/26/2017
3	PER ENGINEERING COMMENTS	03/27/2017

PROJECT NAME & LOCATION:
BROAD CREEK LIBRARY
1425 NORCHESTER AVE.
NORFOLK, VA

SHEET TITLE:
ELEVATIONS

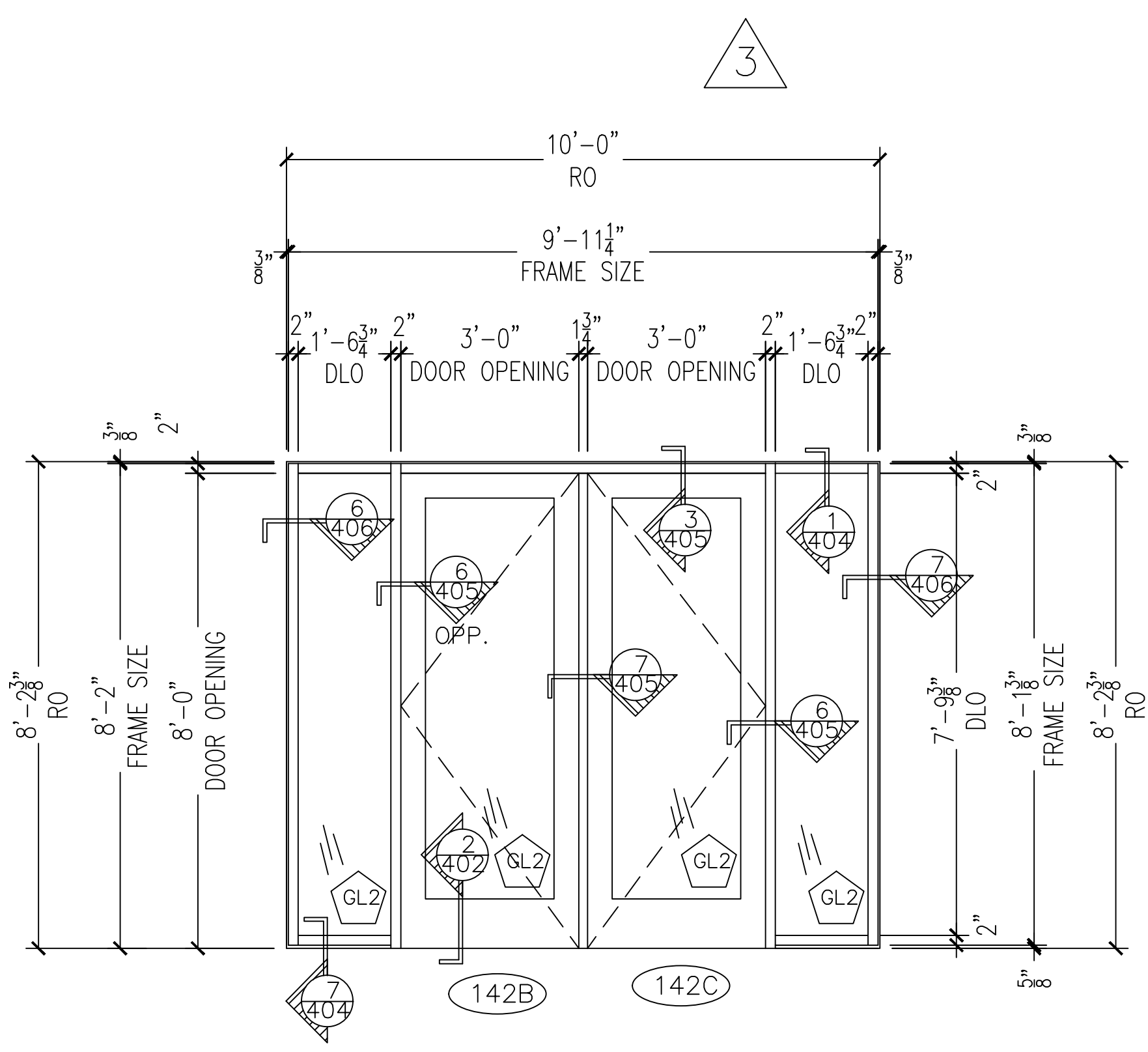
ARCHITECT:
 TMA

DRAWN BY:
 KS DRAFTING & DESIGN, LLC
 KYLE SCHNECK
 HARRISBURG, PA 17110
 KYLE@KSDRAFTINGDESIGNLLC.COM
 717-228-7114

DRAWN BY: KYLE SCHNECK
 CHECKED BY: KYLE SCHNECK

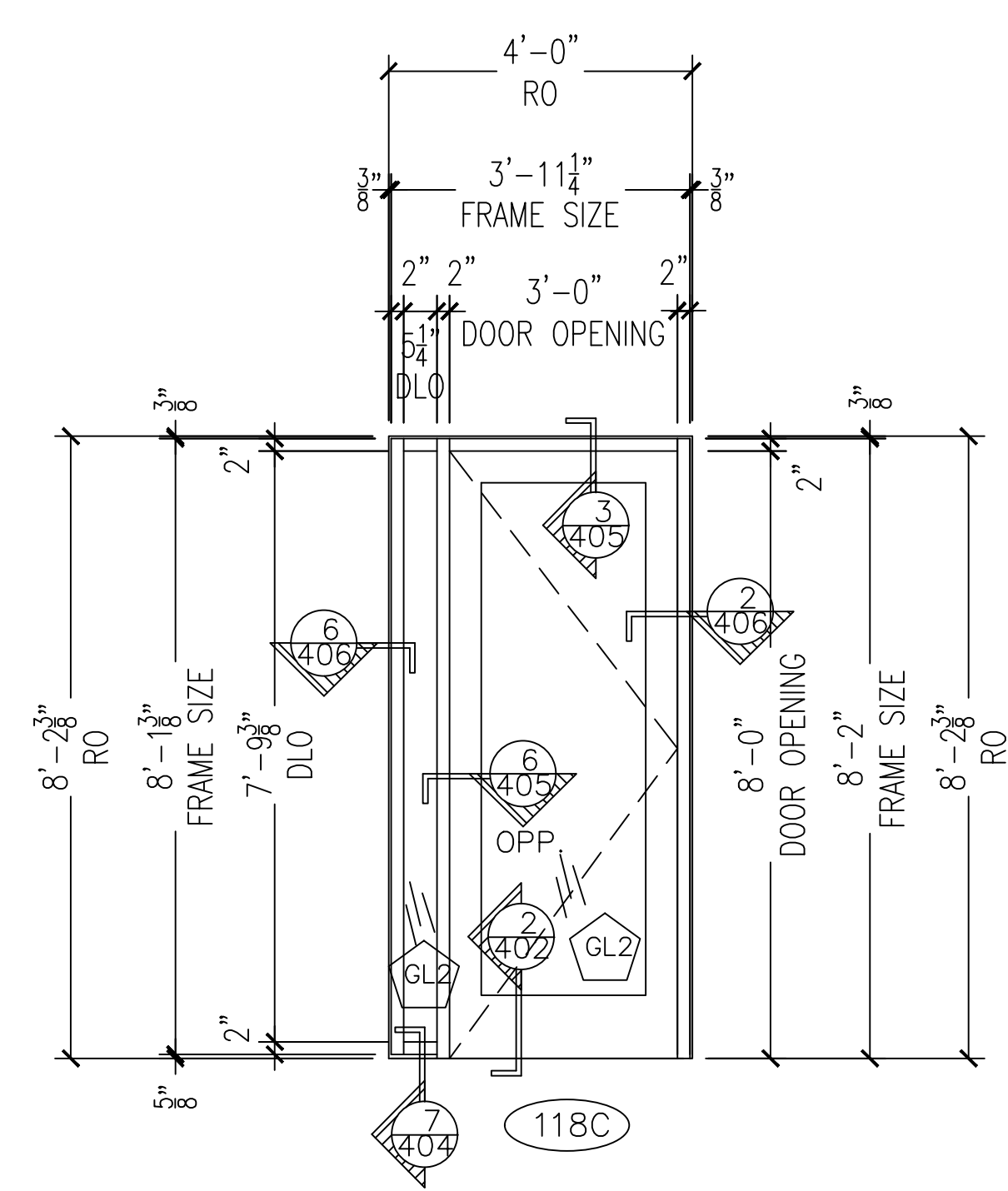
DATE: 03/27/2017

SHEET:
212



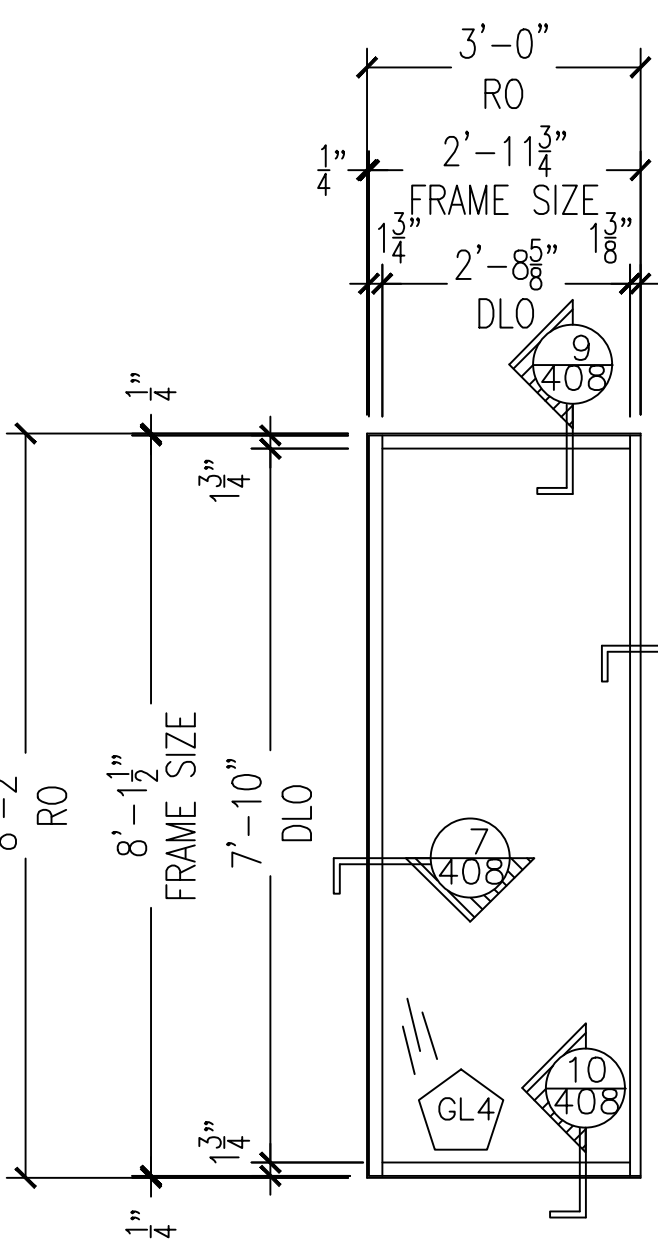
KAWNEER 451T EXTERIOR STOREFRONT
 2" X 4-1/2" FRONT SET THERMAL FRAMING
 KAWNEER 500 SERIES WIDE STILE DOORS

- QTY 1
 1 ELEVATION DOORS 142B & 142C
 ARCH. REF.: 1/A4.1



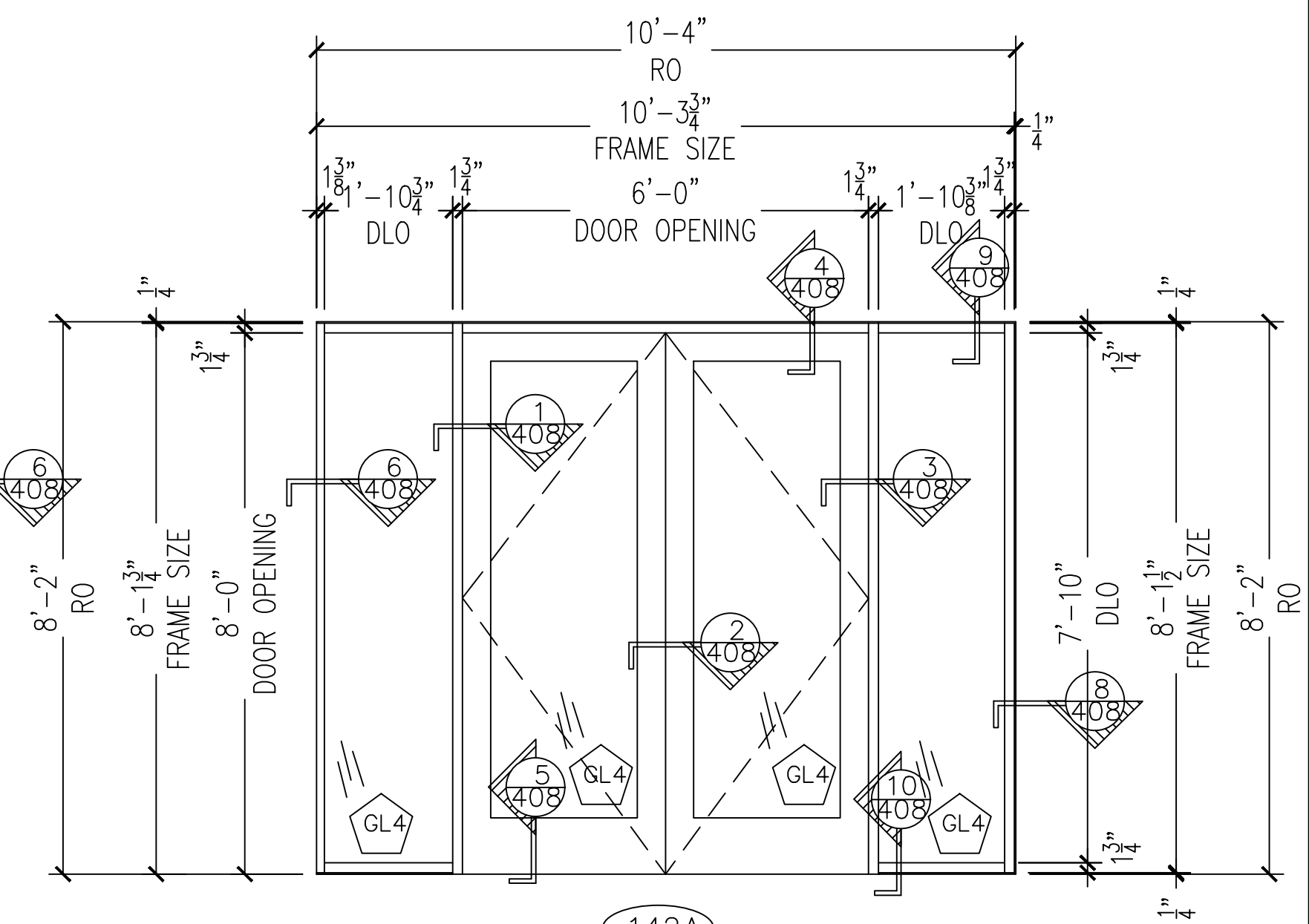
KAWNEER 451T EXTERIOR STOREFRONT
 2" X 4-1/2" FRONT SET THERMAL FRAMING
 KAWNEER 500 SERIES WIDE STILE DOORS

- QTY 1
 2 ELEVATION DOOR 118C
 ARCH. REF.: 1/A4.1



KAWNEER 450 INTERIOR STOREFRONT
 1 3/4" X 4-1/2"

- QTY 1
 3 ELEVATION



KAWNEER 450 INTERIOR STOREFRONT
 1 3/4" X 4-1/2"
 KAWNEER 500 SERIES WIDE STILE DOORS

- QTY 1
 4 ELEVATION DOOR 142A
 ARCH. REF.: 2/A7.3

NO.	REVISION/ISSUED	DATE
1	1ST SUBMITTAL	02/26/2017
2	REVISIONS	03/07/2017
3	PER ENGINEERING COMMENTS	03/27/2017

PROJECT NAME & LOCATION:
BROAD CREEK LIBRARY
1425 NORCHESTER AVE.
NORFOLK, VA

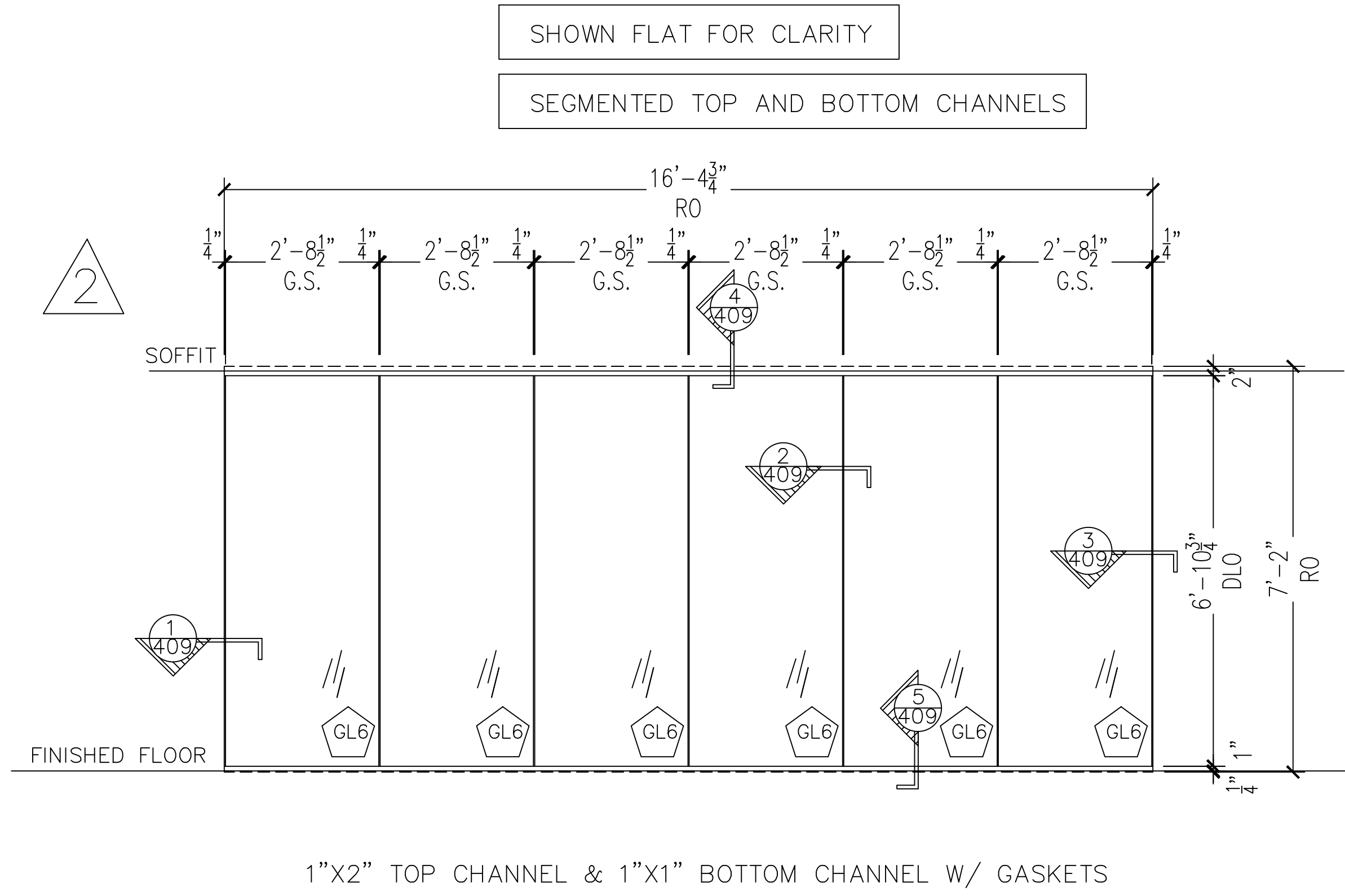
SHEET TITLE:
ELEVATIONS

ARCHITECT:
 TMA

DRAWN BY:
 KS DRAFTING & DESIGN, LLC
 KYLE SCHNECK
 HARRISBURG, PA 17110
 KYLE@KSDRAFTINGDESIGNLLC.COM
 717-228-7114

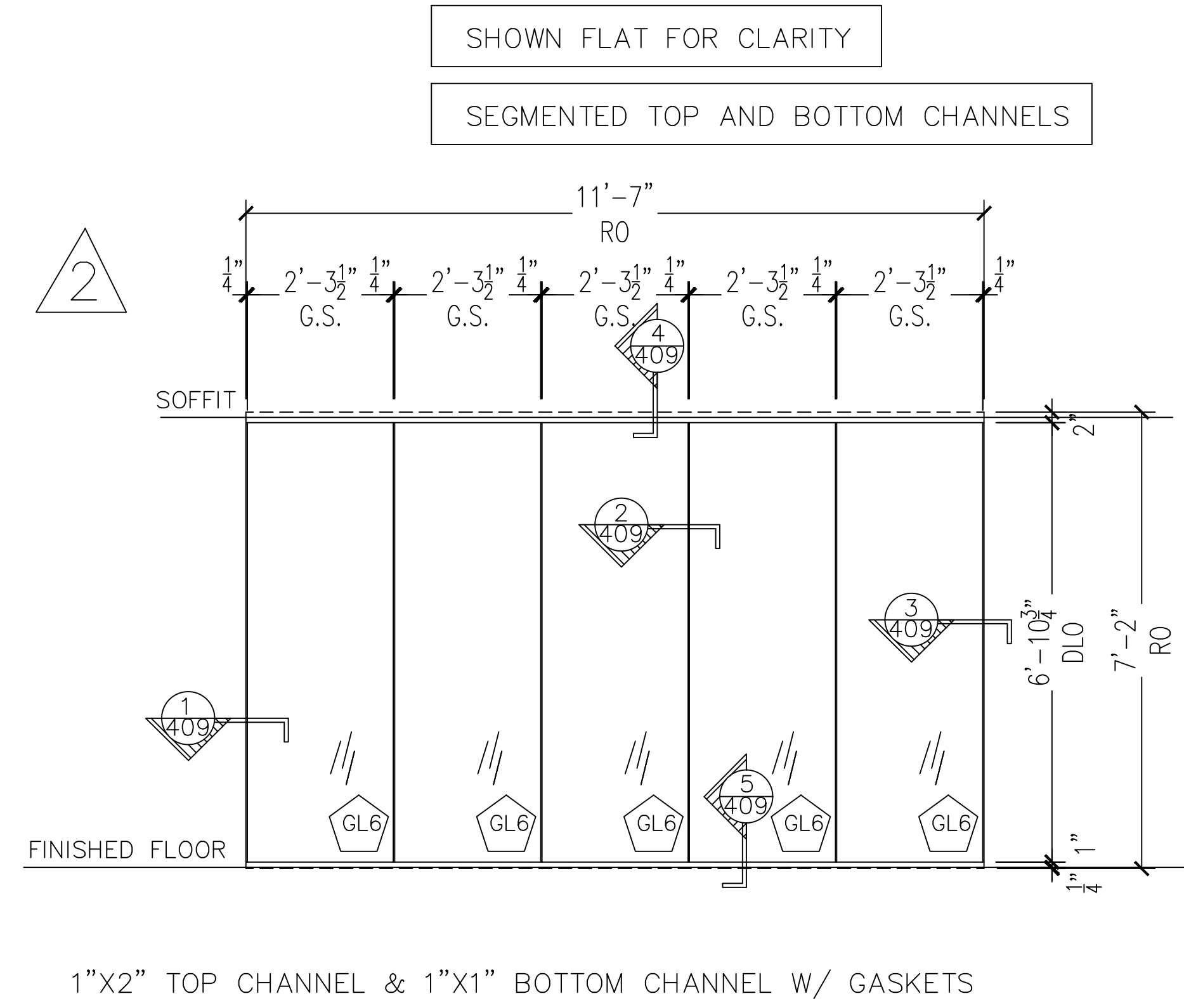
DRAWN BY: KYLE SCHNECK
 CHECKED BY: KYLE SCHNECK

DATE: 03/27/2017
 SHEET: 213



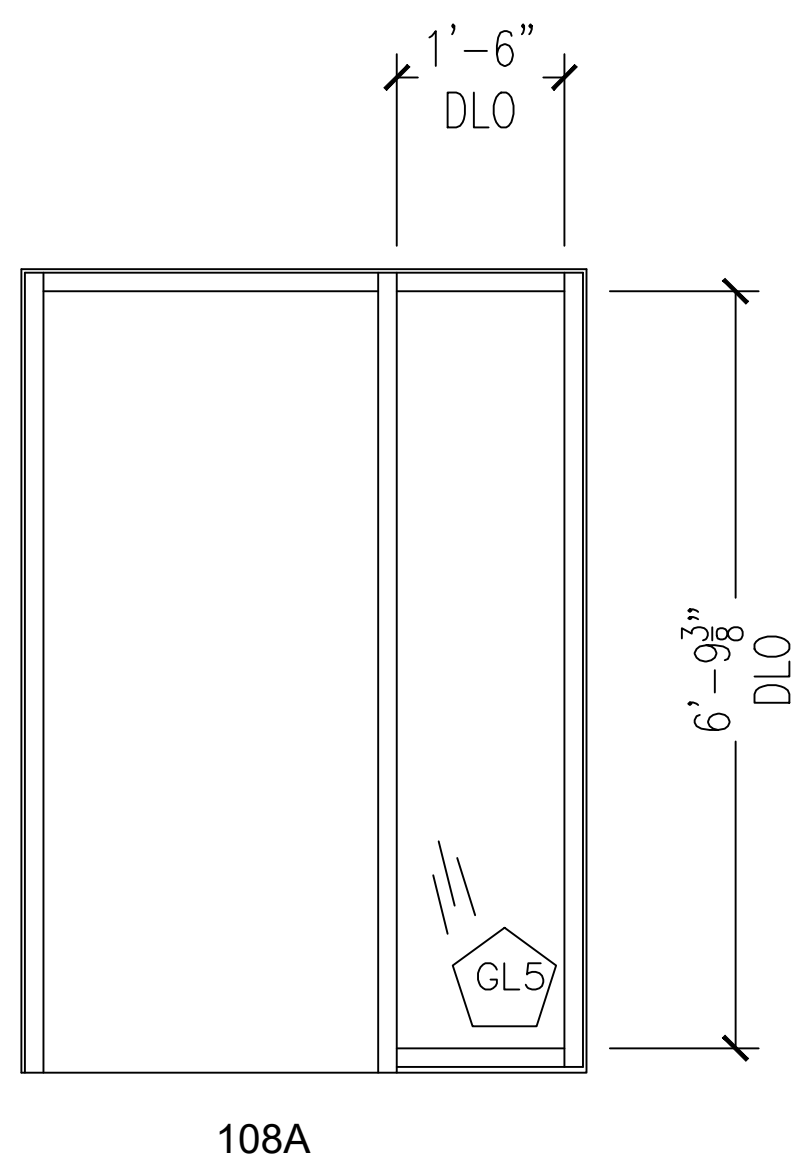
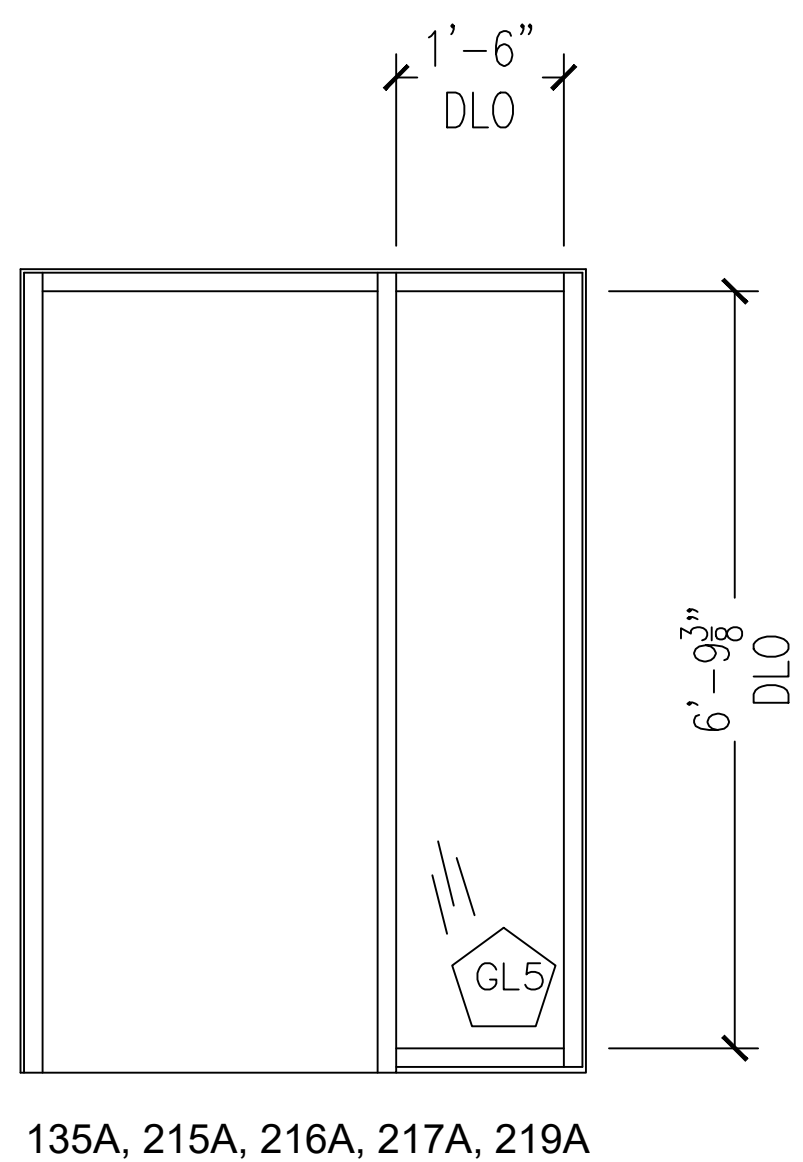
QTY: 1

1 ALL GLASS ELEVATION
 ARCH. REF.: 24/A7.1



QTY: 1

2 ALL GLASS ELEVATION
 ARCH. REF.: 24/A7.1

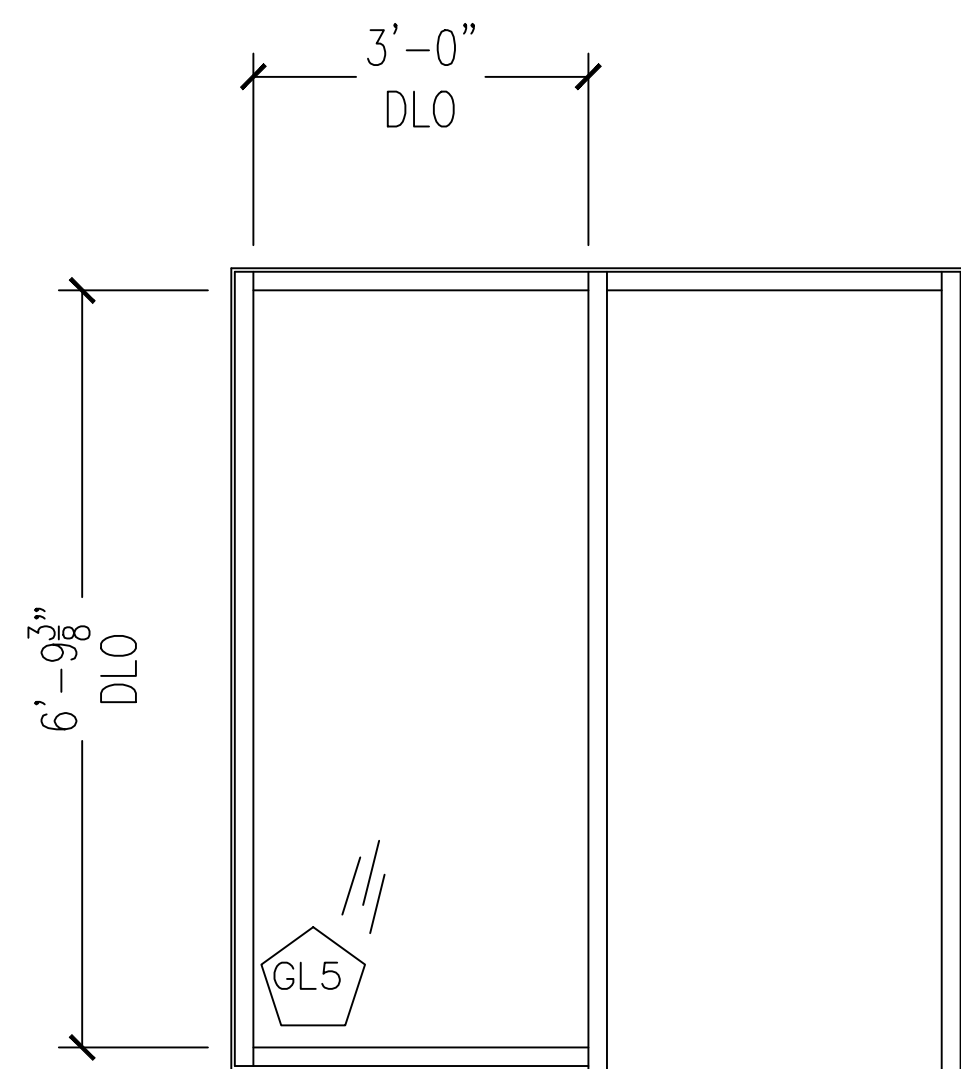


QTY 5
 1 DOOR TYPE H
 ARCH. REF.: H/A8.1

DOORS AND FRAMES BY OTHERS,
 GLASS BY - INDUSTRIES INC.

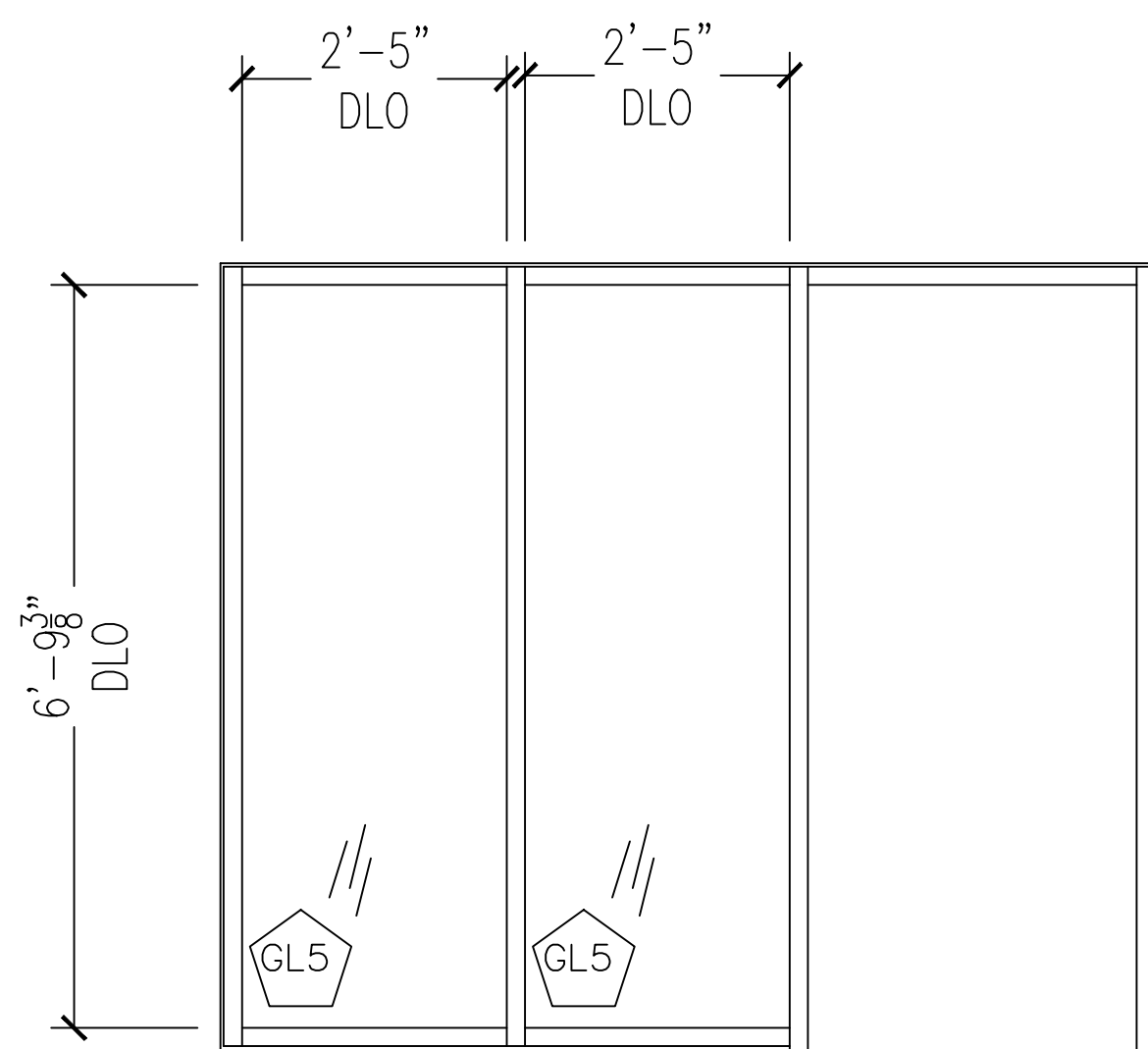
QTY 1
 2 DOOR TYPE H1
 ARCH. REF.: H1/A8.1

DOORS AND FRAMES BY OTHERS,
 GLASS BY - INDUSTRIES INC.



QTY 1
 3 DOOR TYPE J
 ARCH. REF.: J/A8.1

DOORS AND FRAMES BY OTHERS,
 GLASS BY - INDUSTRIES INC.



QTY 1
 4 DOOR TYPE K
 ARCH. REF.: K/A8.1

DOORS AND FRAMES BY OTHERS,
 GLASS BY - INDUSTRIES INC.

NO.	REVISION/ISSUED	DATE
1	1ST SUBMITTAL	02/26/2017

PROJECT NAME & LOCATION:
 BROAD CREEK LIBRARY
 1425 NORCHESTER AVE.
 NORFOLK, VA

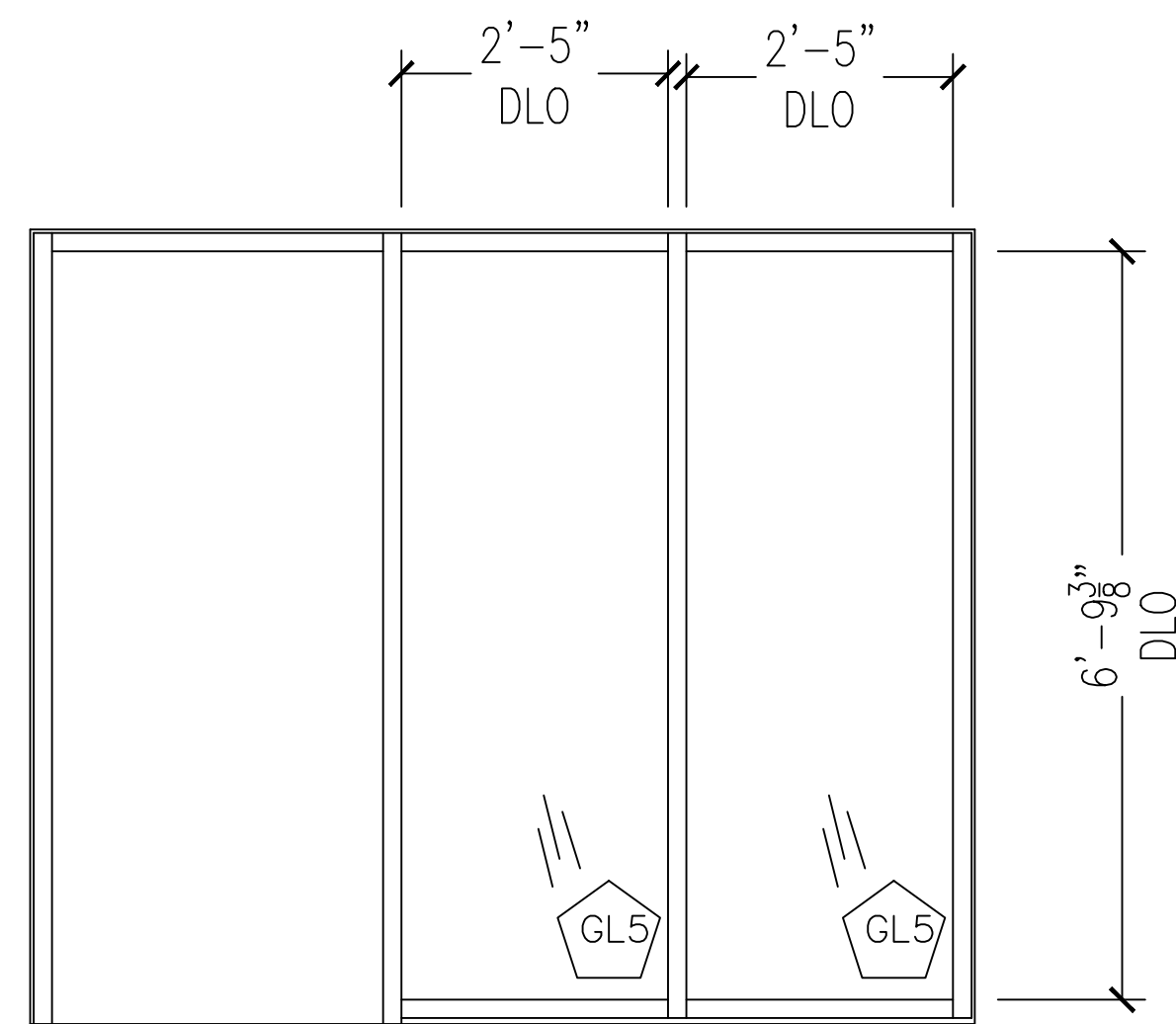
SHEET TITLE:
 ELEVATIONS

ARCHITECT:
 TMA

DRAWN BY:
 KS DRAFTING & DESIGN, LLC
 KYLE SCHNECK
 HARRISBURG, PA 17110
 KYLE@KSDRAFTINGDESIGNLLC.COM
 717-228-7114

DRAWN BY: KYLE SCHNECK
 CHECKED BY: KYLE SCHNECK

DATE: 02/26/2017
 SHEET: 214

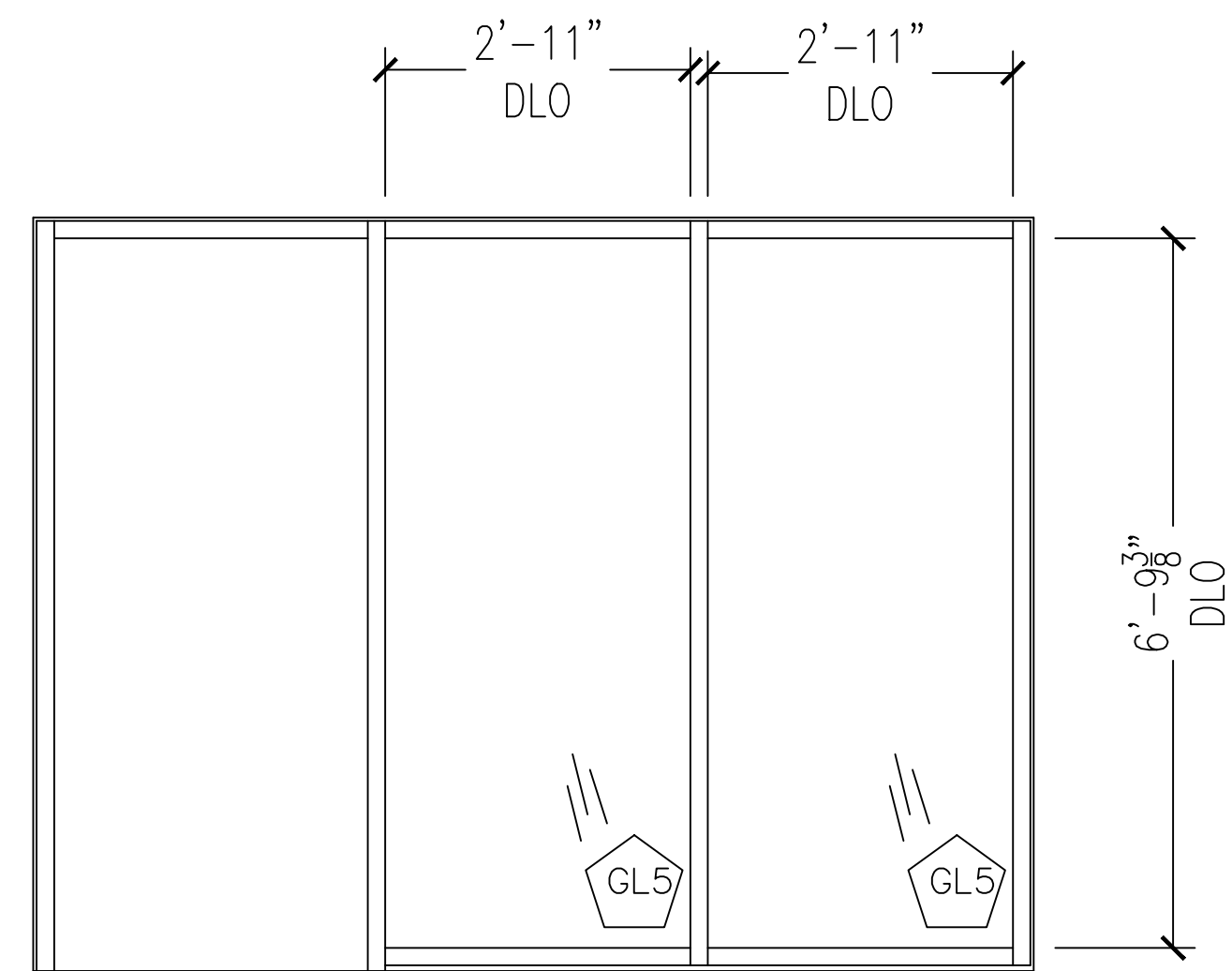


207A, 208A

QTY 1 THUS, 1 OPP.

1 DOOR TYPE K1
ARCH. REF.: K1/A8.1

DOORS AND FRAMES BY OTHERS,
GLASS BY - INDUSTRIES INC.

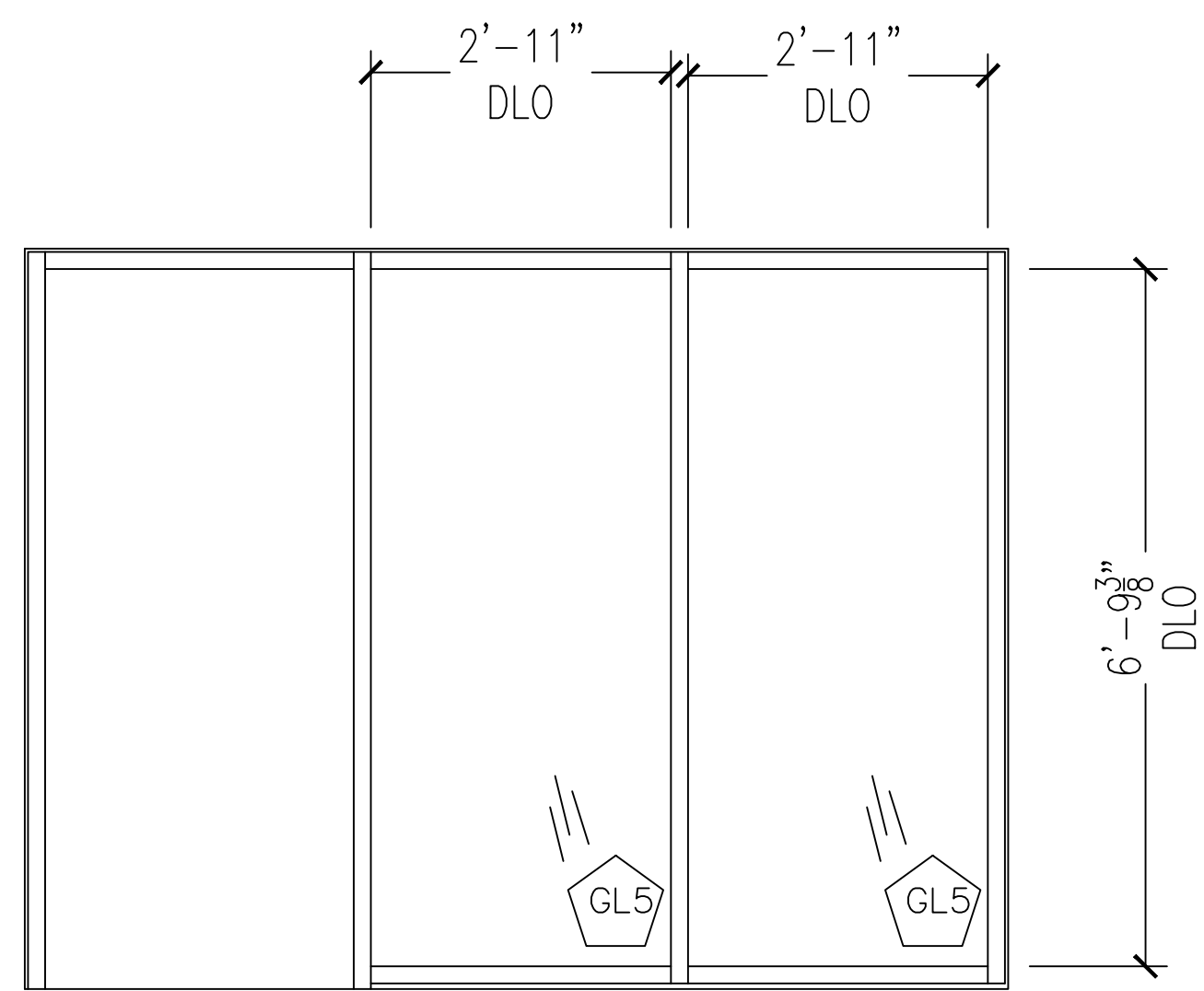


127A, 130B

QTY 1 THUS, 1 OPP.

2 DOOR TYPE L
ARCH. REF.: L/A8.1

DOORS AND FRAMES BY OTHERS,
GLASS BY - INDUSTRIES INC.

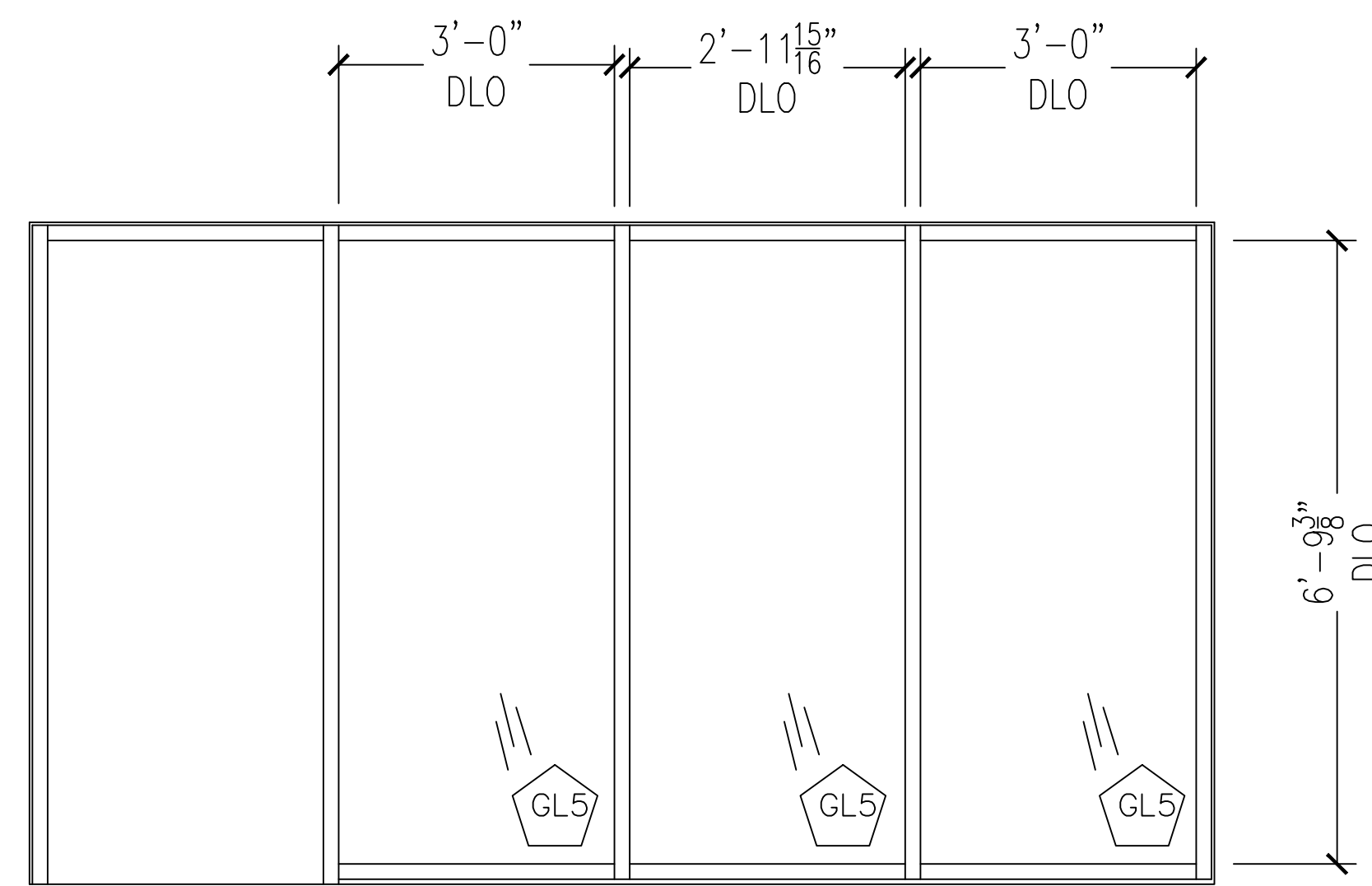


118A, 118B, 221A

QTY 1 THUS, 2 OPP.

3 DOOR TYPE L1
ARCH. REF.: L1/A8.1

DOORS AND FRAMES BY OTHERS,
GLASS BY - INDUSTRIES INC.



222A

QTY 1

4 DOOR TYPE M
ARCH. REF.: M/A8.1

DOORS AND FRAMES BY OTHERS,
GLASS BY - INDUSTRIES INC.

NO.	REVISION/ISSUED	DATE
1	1ST SUBMITTAL	02/26/2017

PROJECT NAME & LOCATION:
BROAD CREEK LIBRARY
1425 NORCHESTER AVE.
NORFOLK, VA

SHEET TITLE:
ELEVATIONS

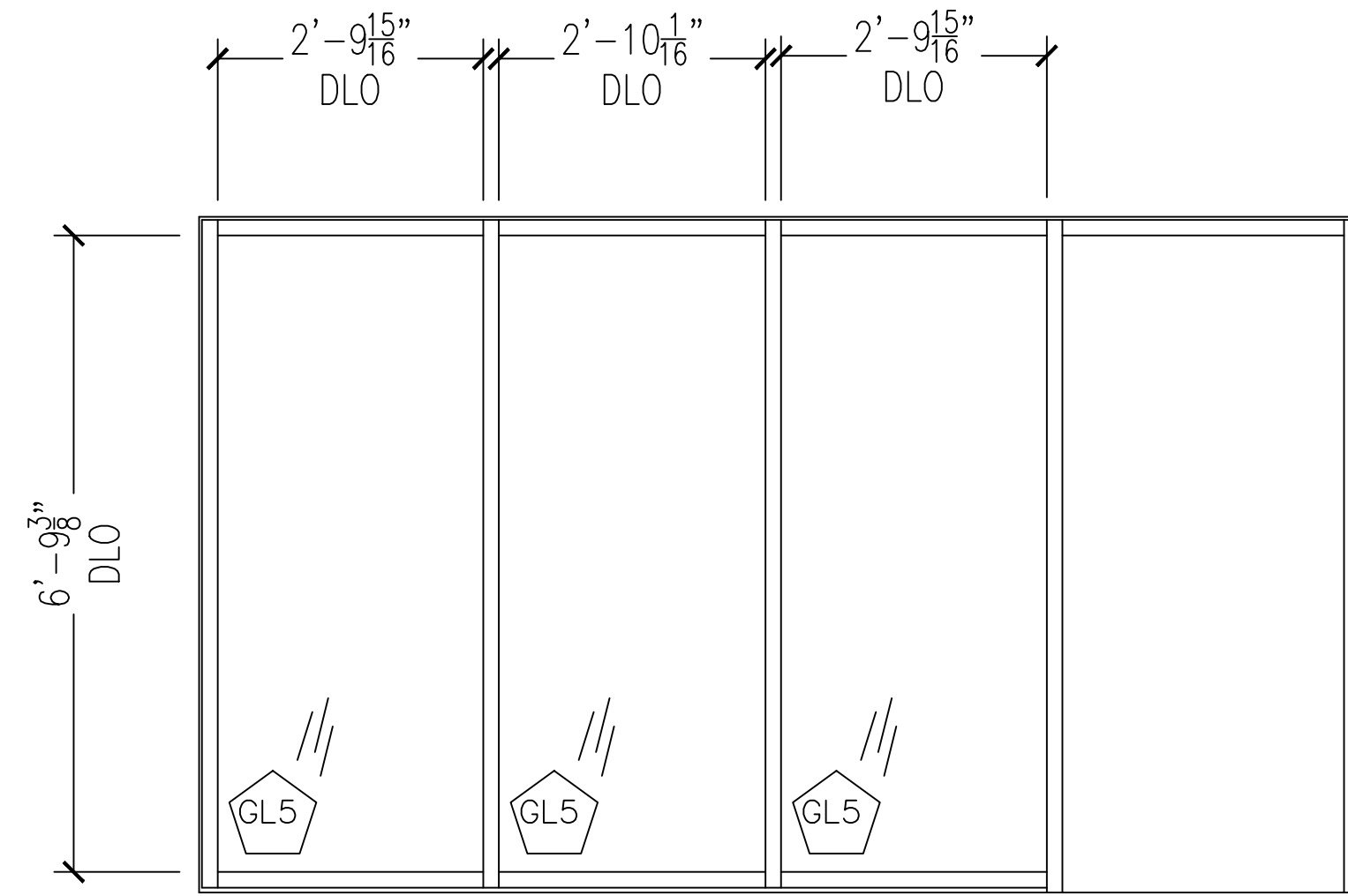
ARCHITECT:
TMA

DRAWN BY:
KS DRAFTING & DESIGN, LLC
KYLE SCHNECK
HARRISBURG, PA 17110
KYLE@KSDRAFTINGDESIGNLLC.COM
717-228-7114

DRAWN BY: KYLE SCHNECK
CHECKED BY: KYLE SCHNECK

DATE: 02/26/2017

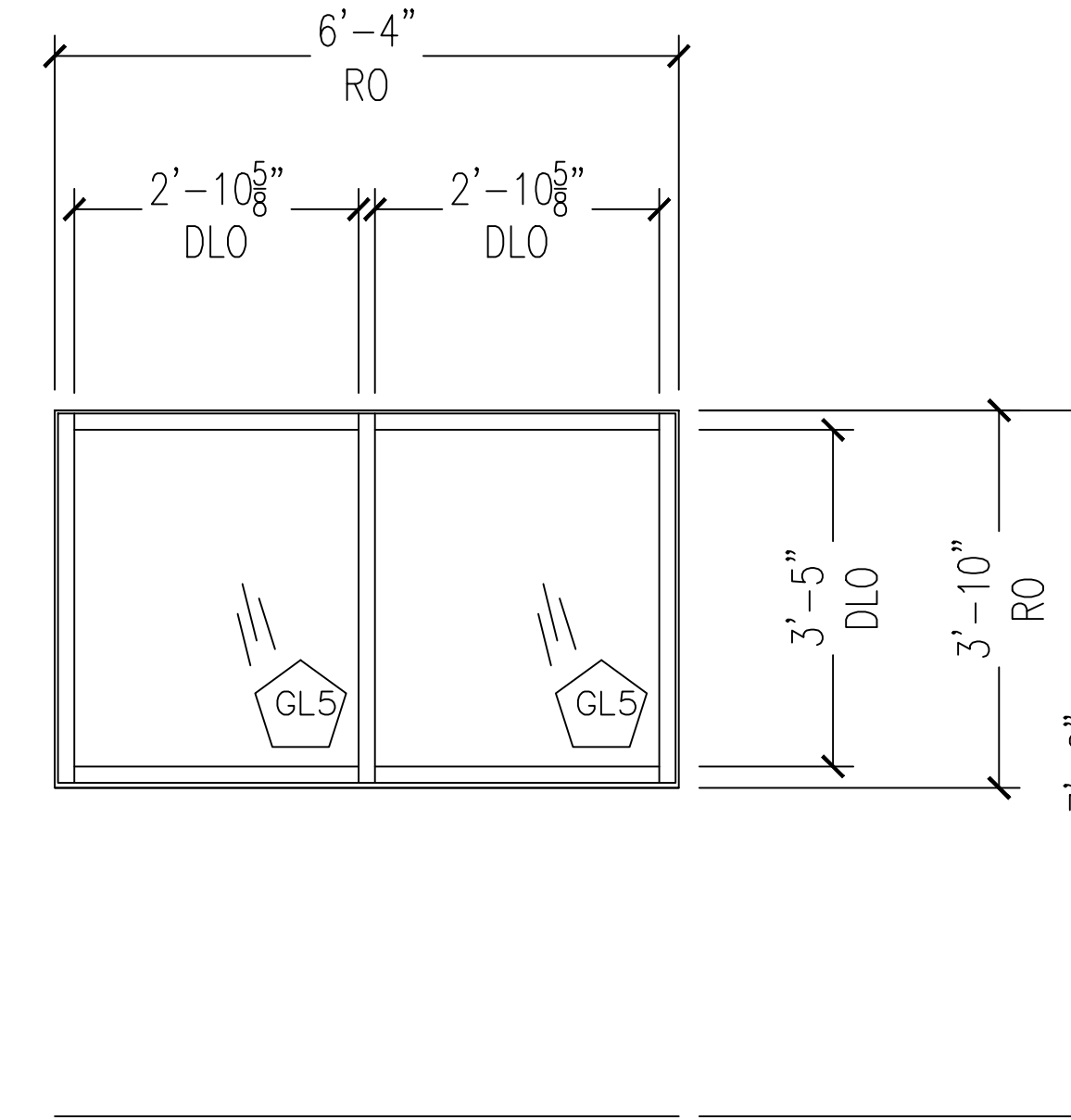
SHEET:
215



225A

QTY 1
 1 DOOR TYPE N
 ARCH. REF.: N/A8.1

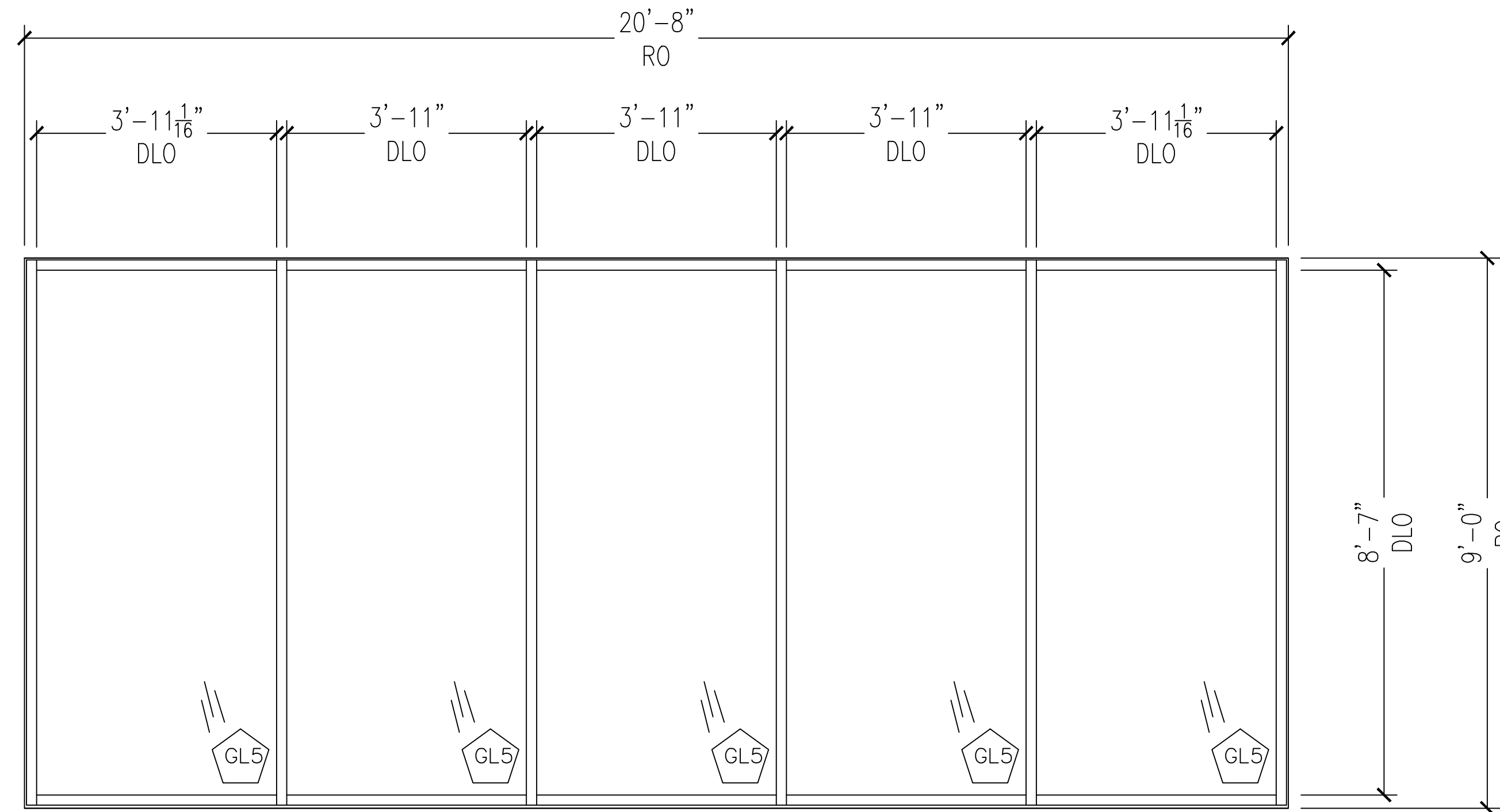
DOORS AND FRAMES BY OTHERS,
 GLASS BY - INDUSTRIES INC.



134B, 134C

QTY 2
 2 DOOR TYPE O
 ARCH. REF.: O/A8.1

FRAMES BY OTHERS,
 GLASS BY - INDUSTRIES INC.



142E

QTY: 1
 3 DOOR TYPE P
 ARCH. REF.: P/A8.1

FRAMES BY OTHERS,
 GLASS BY - INDUSTRIES INC.

NO.	REVISION/ISSUED	DATE
1	1ST SUBMITTAL	02/26/2017

PROJECT NAME & LOCATION:
 BROAD CREEK LIBRARY
 1425 NORCHESTER AVE.
 NORFOLK, VA

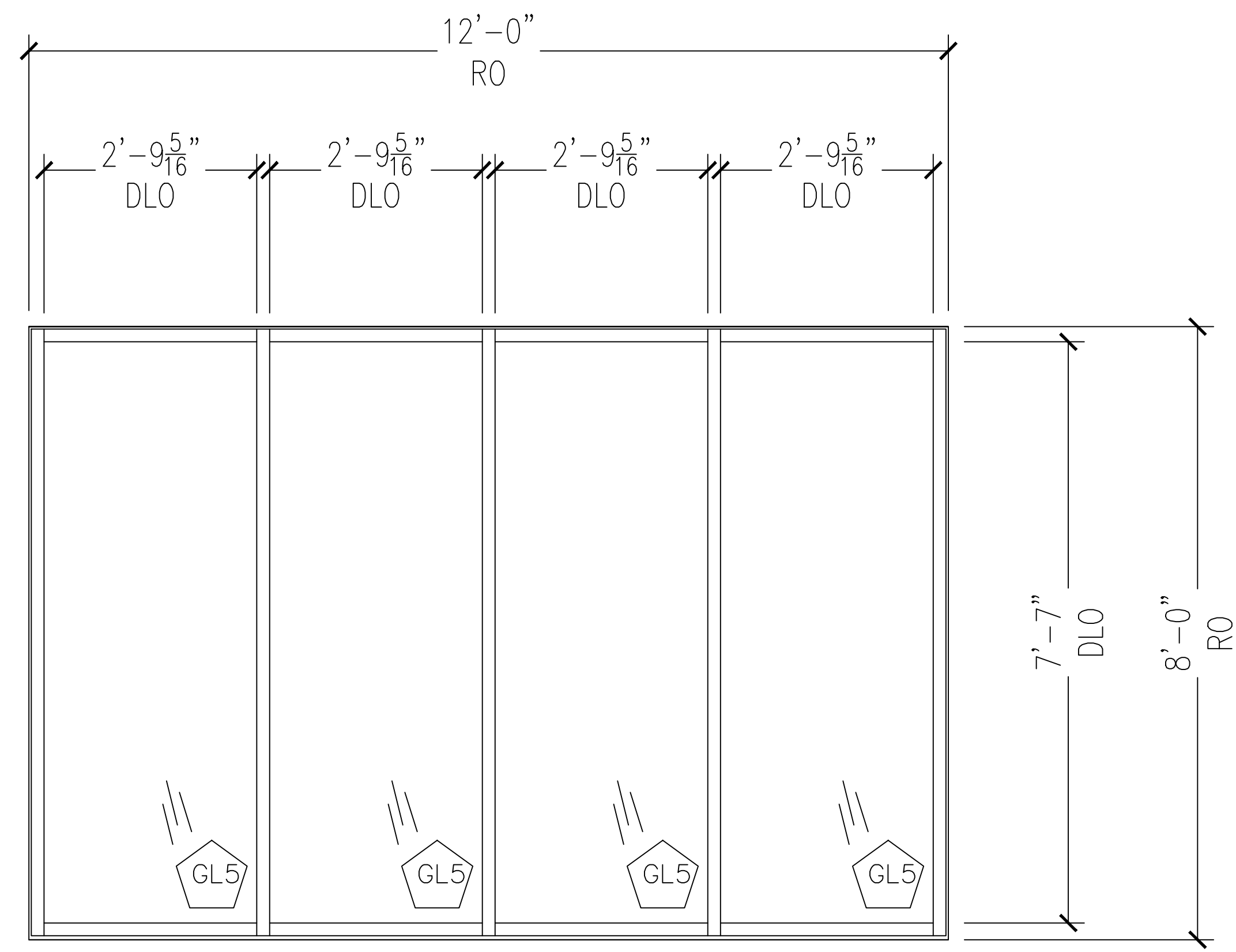
SHEET TITLE:
 ELEVATIONS

ARCHITECT:
 TMA

DRAWN BY:
 KS DRAFTING & DESIGN, LLC
 KYLE SCHNECK
 HARRISBURG, PA 17110
 KYLE@KSDRAFTINGDESIGNLLC.COM
 717-228-7114

DRAWN BY: KYLE SCHNECK
 CHECKED BY: KYLE SCHNECK

DATE: 02/26/2017
 SHEET: 216

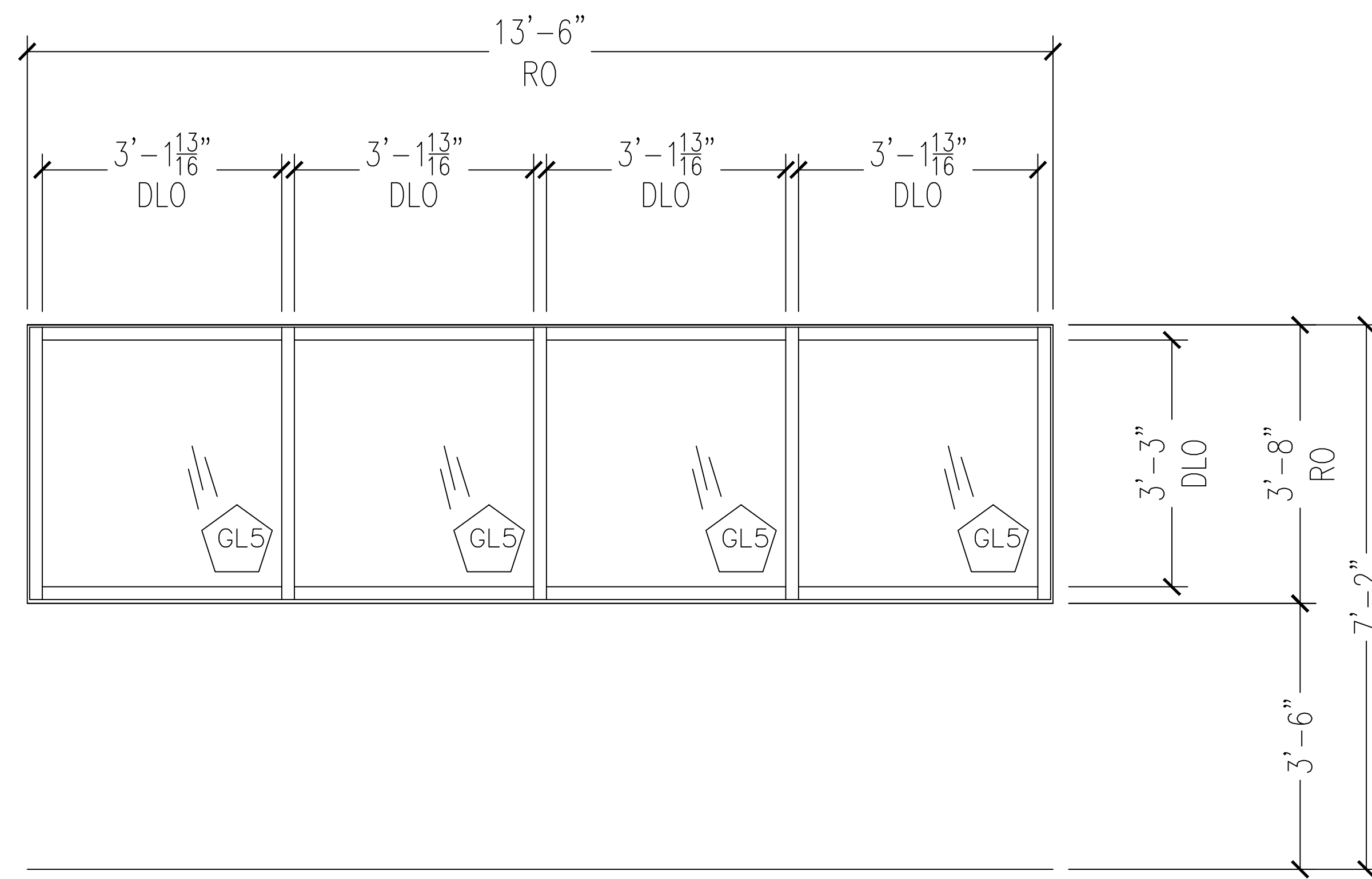


225B

1

1 DOOR TYPE Q
ARCH. REF.: Q/A8.1

FRAMES BY OTHERS,
GLASS BY - INDUSTRIES INC.



222D

QTY 1

2 DOOR TYPE R
ARCH. REF.: R/A8.1

FRAMES BY OTHERS,
GLASS BY - INDUSTRIES INC.

NO.	REVISION/ISSUED	DATE
1	1ST SUBMITTAL	02/26/2017

PROJECT NAME & LOCATION:
BROAD CREEK LIBRARY
1425 NORCHESTER AVE.
NORFOLK, VA

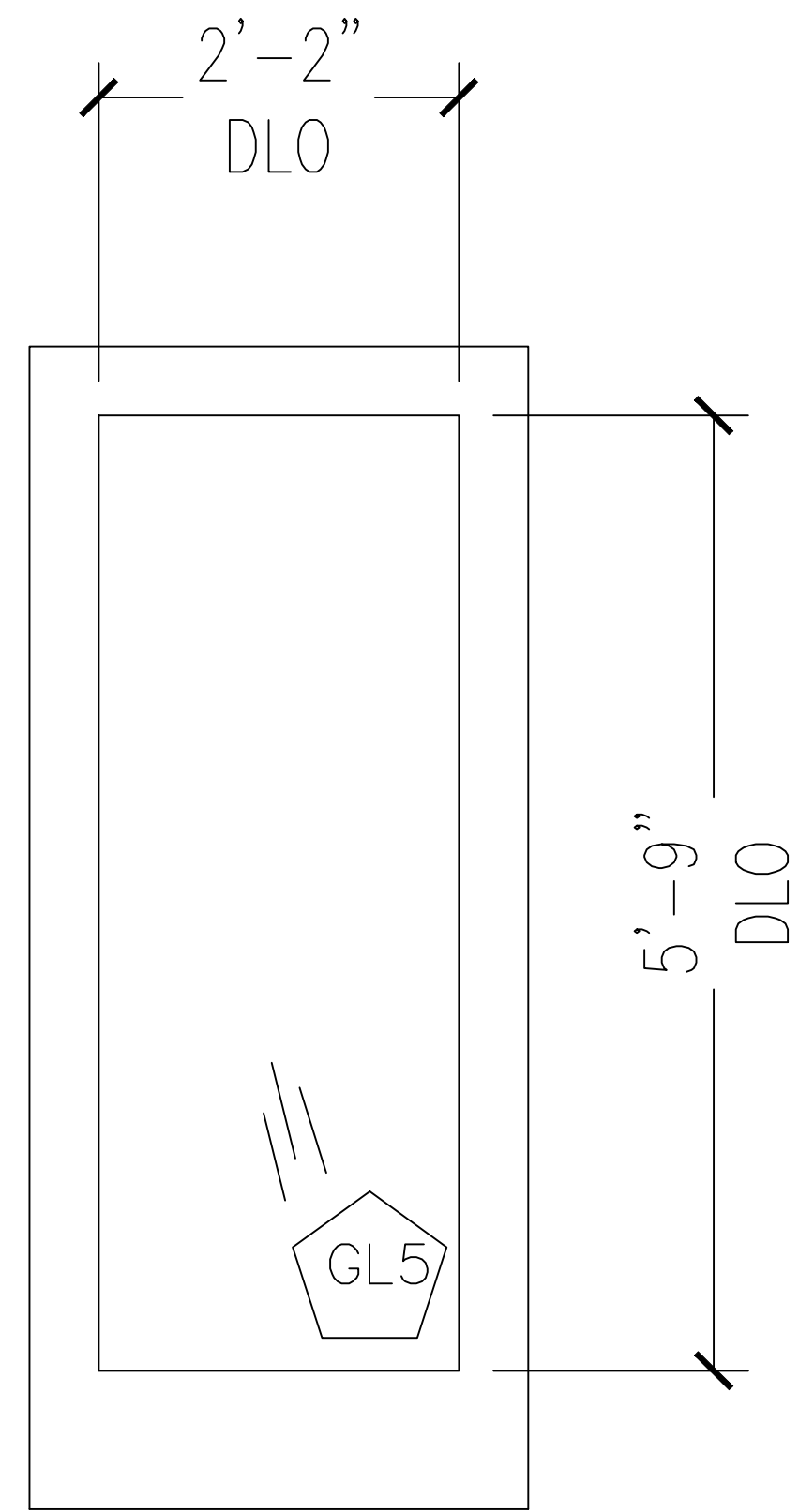
SHEET TITLE:
ELEVATIONS

ARCHITECT:
TMA

DRAWN BY:
KS DRAFTING & DESIGN, LLC
KYLE SCHNECK
HARRISBURG, PA 17110
KYLE@KSDRAFTINGDESIGNLLC.COM
717-228-7114

DRAWN BY: KYLE SCHNECK
CHECKED BY: KYLE SCHNECK

DATE: 02/26/2017
SHEET: 217

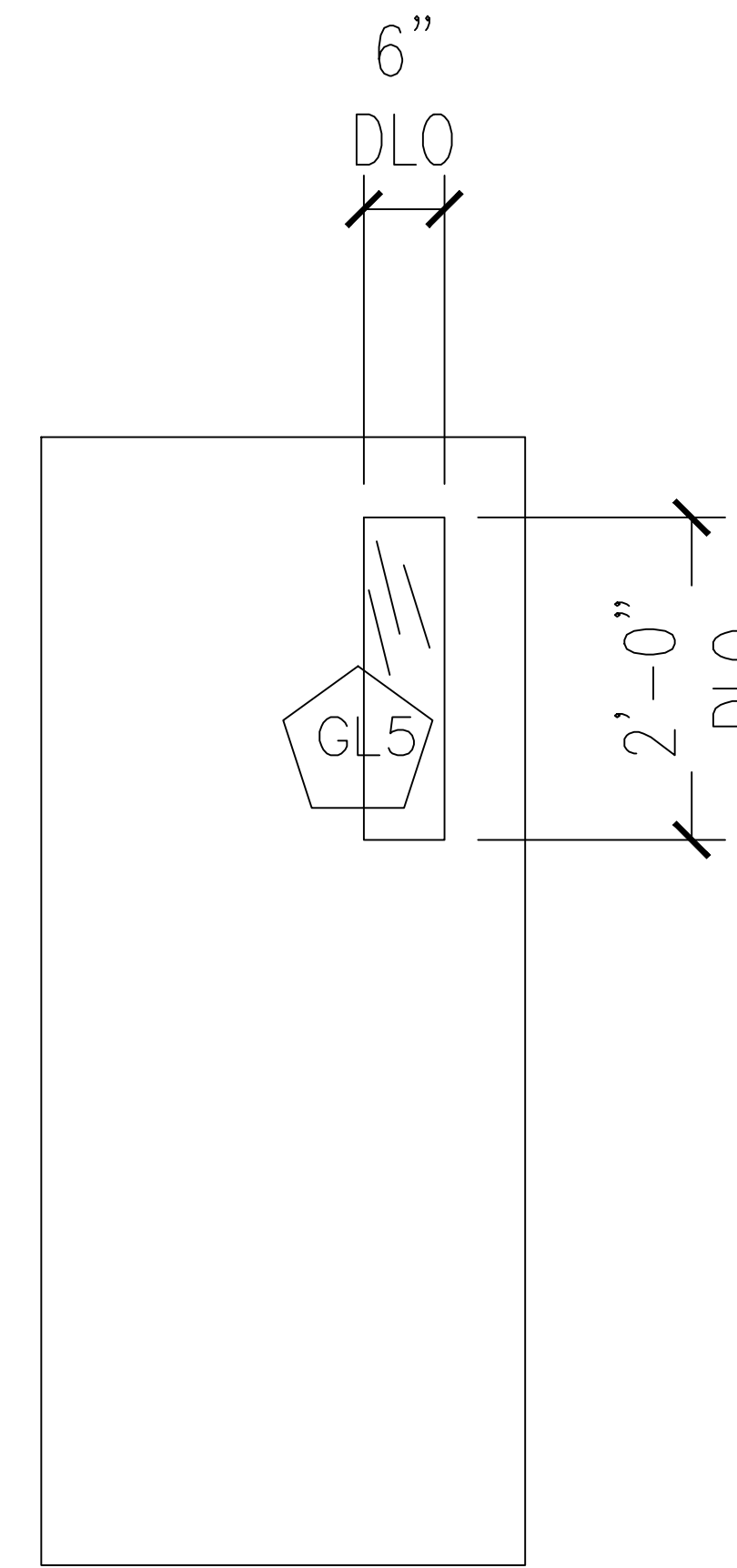


128A, 134A, 139A

QTY 3

- 1 DOOR TYPE A1
ARCH. REF.: A1/A8.1

DOORS AND FRAMES BY OTHERS,
GLASS BY – INDUSTRIES INC.



105B

QTY 1

- 2 DOOR TYPE D
ARCH. REF.: D/A8.1

DOORS AND FRAMES BY OTHERS,
GLASS BY – INDUSTRIES INC.

NO.	REVISION/ISSUED	DATE
1	1ST SUBMITTAL	02/26/2017

PROJECT NAME & LOCATION:
BROAD CREEK LIBRARY
1425 NORCHESTER AVE.
NORFOLK, VA

SHEET TITLE:
ELEVATIONS

ARCHITECT:
TMA

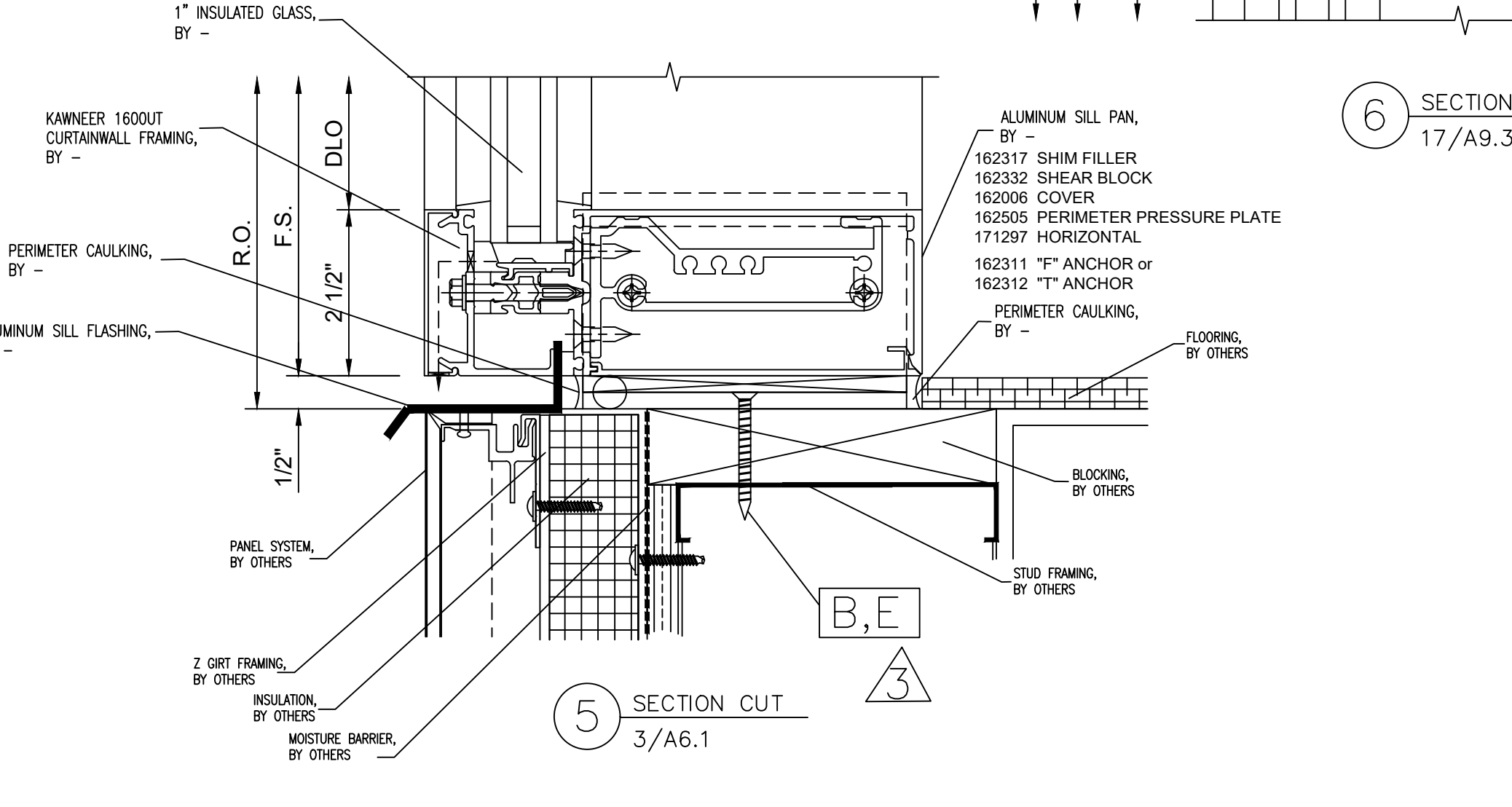
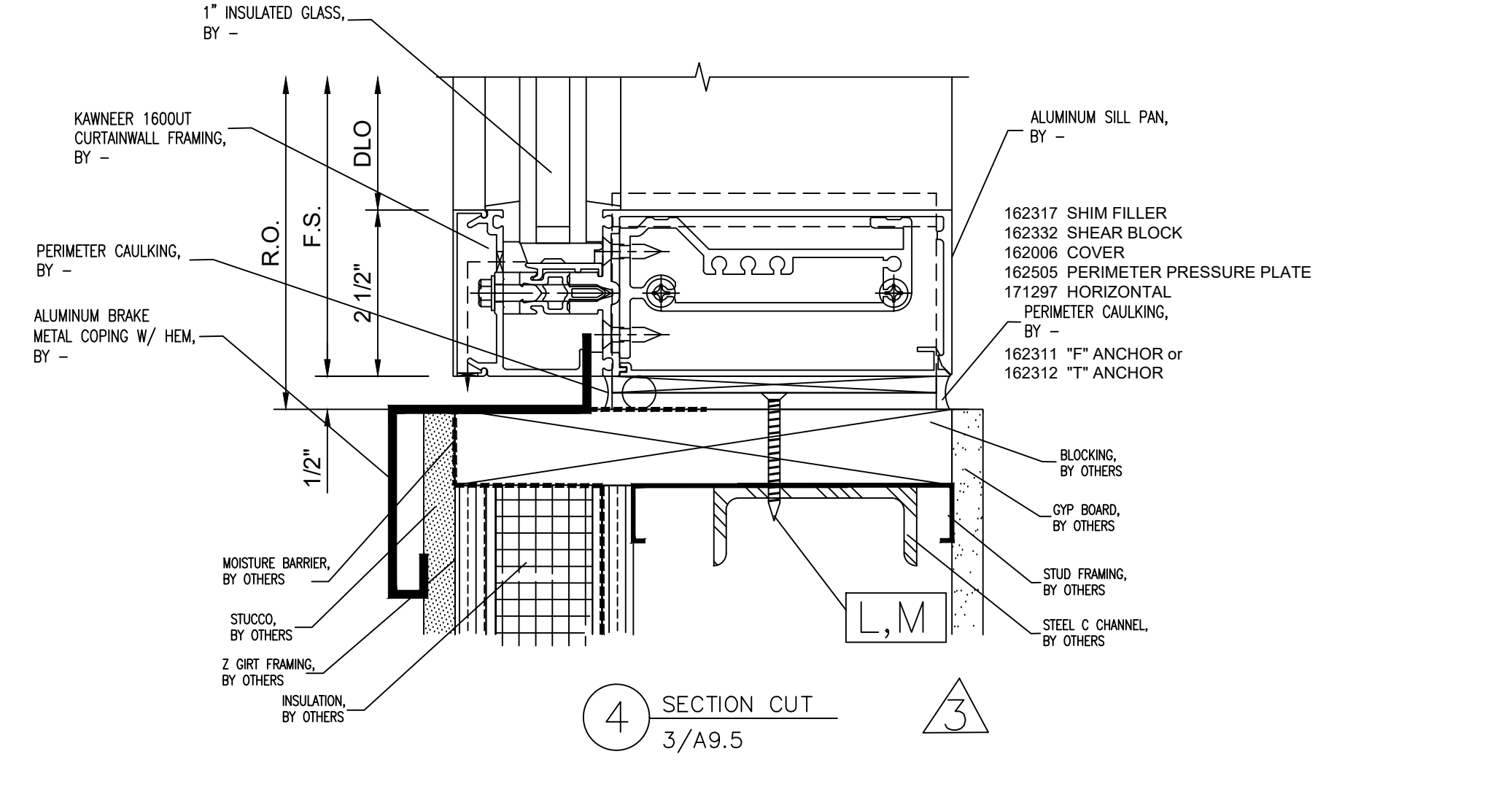
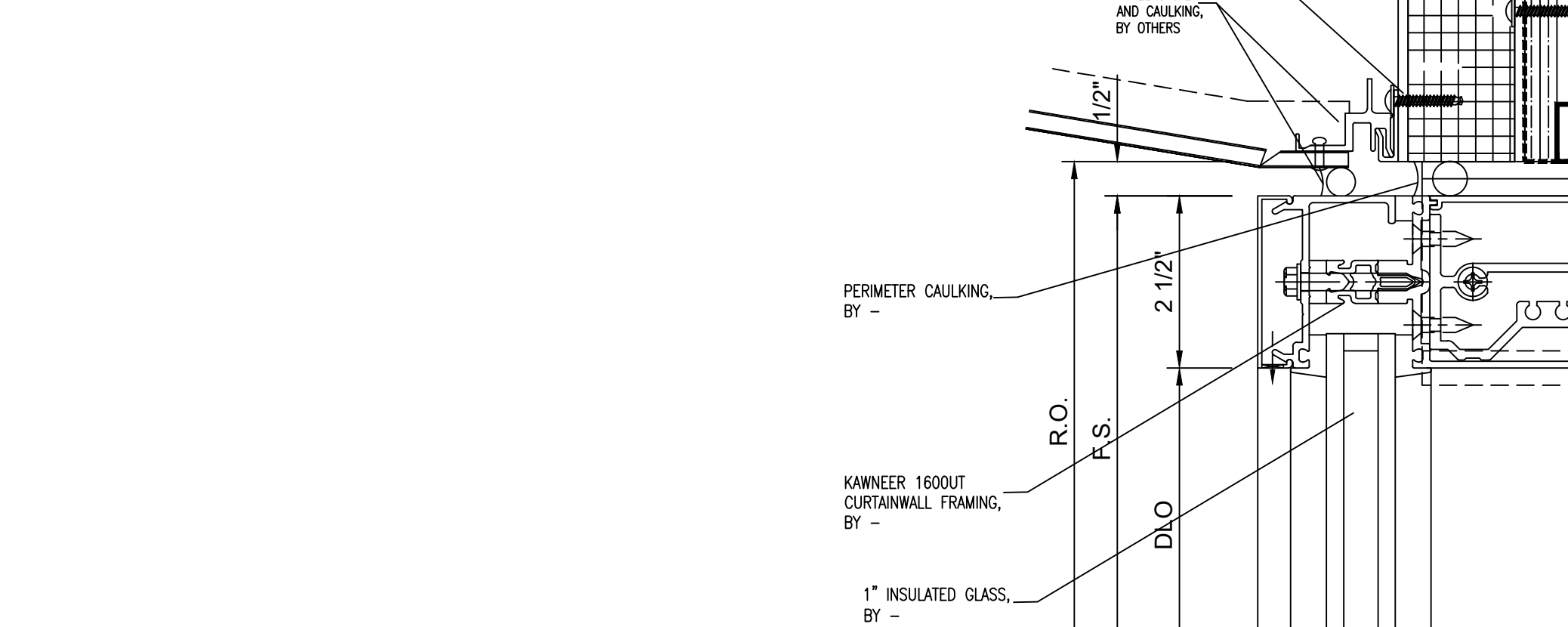
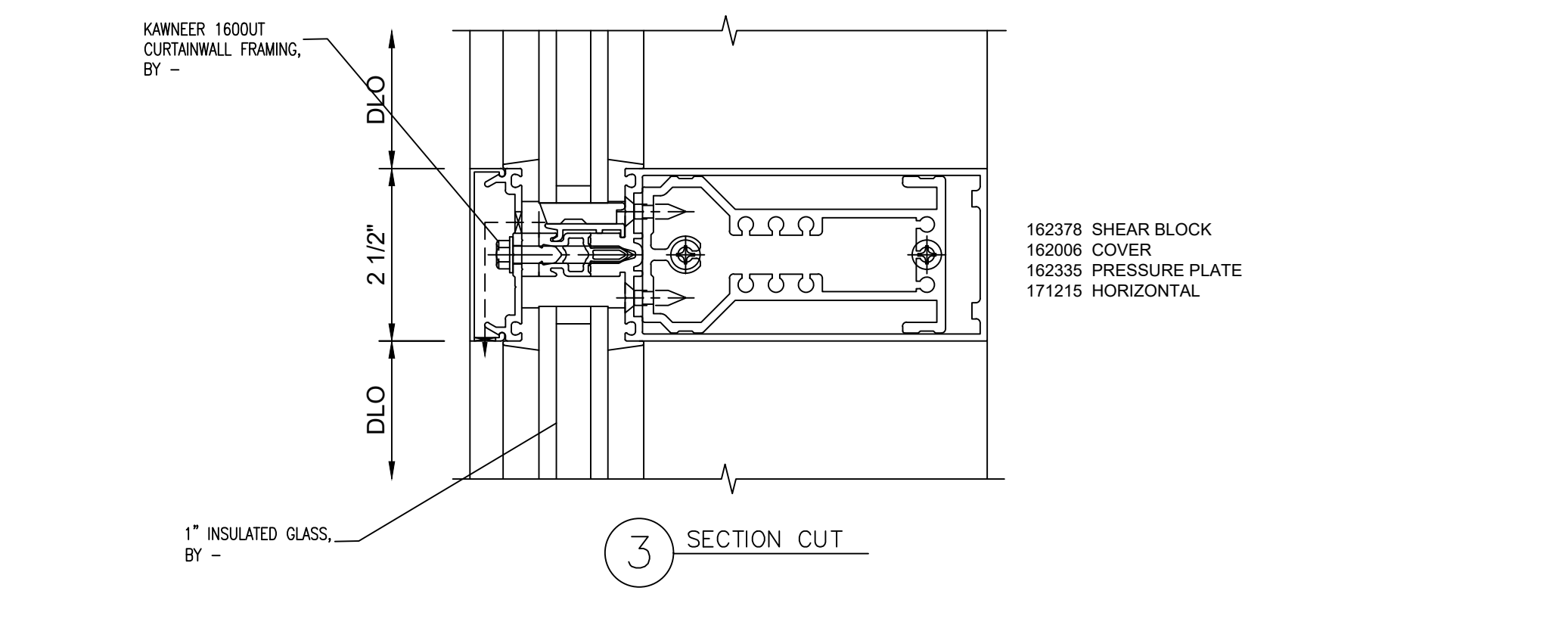
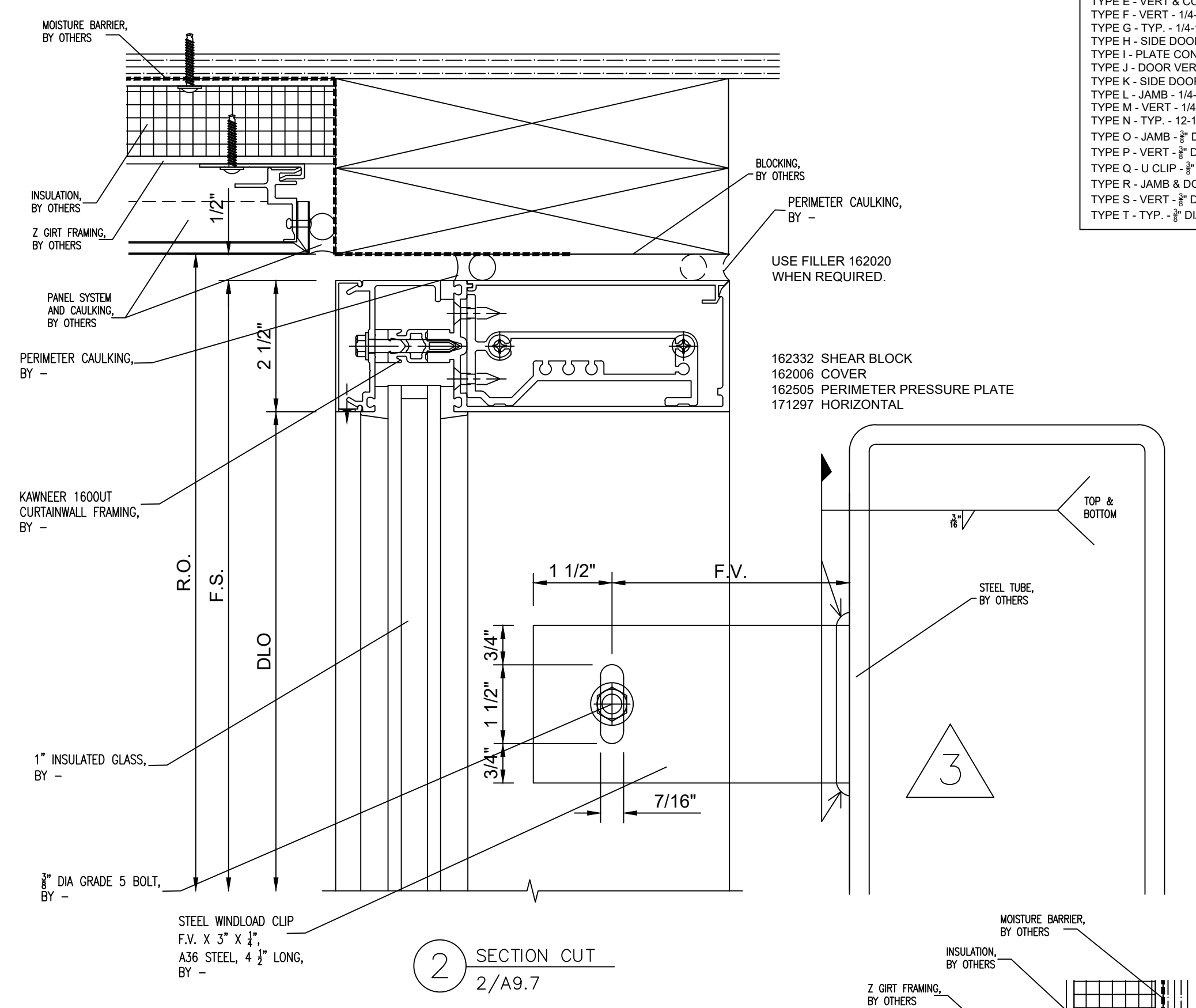
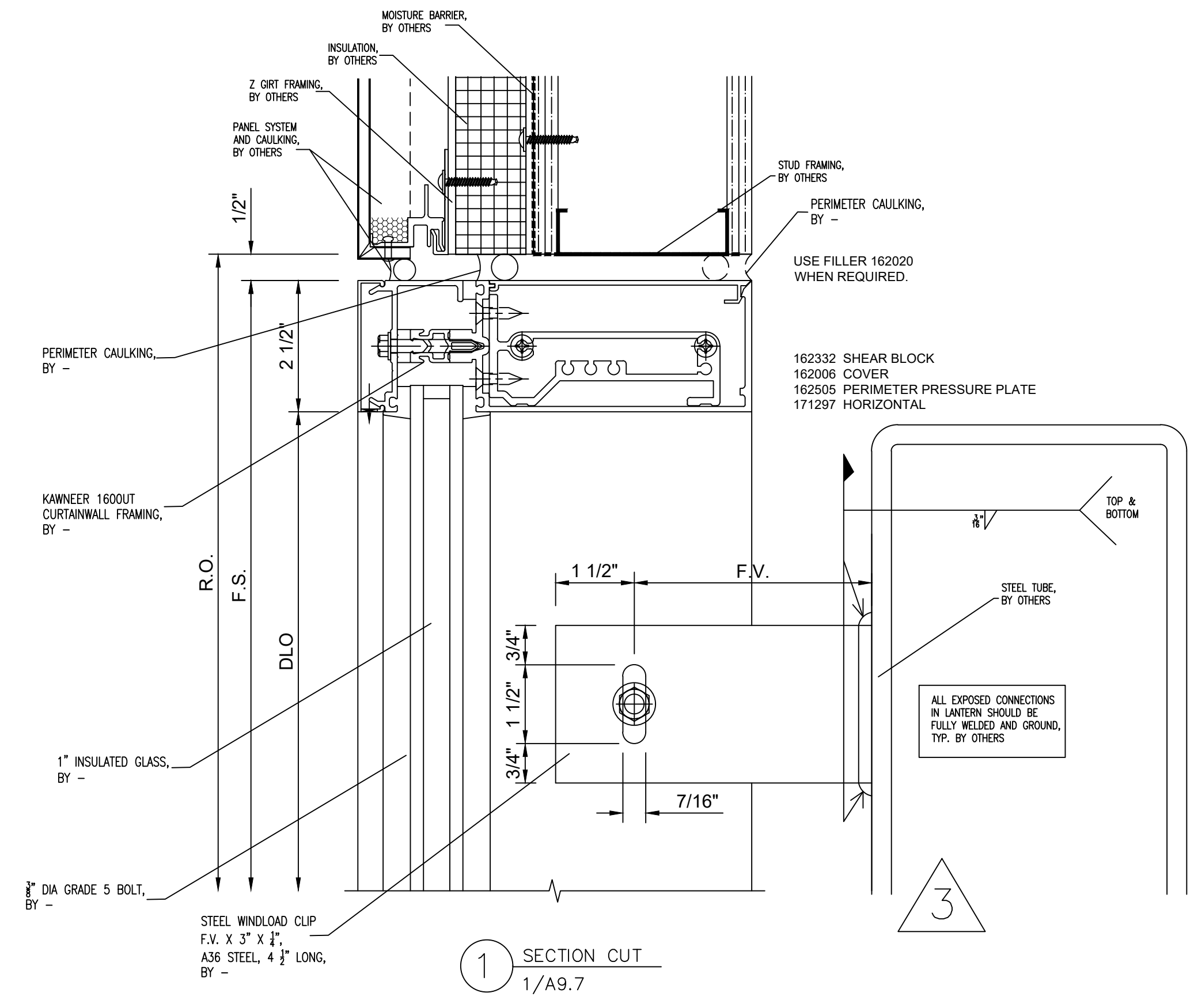
DRAWN BY:
KS DRAFTING & DESIGN, LLC
KYLE SCHNECK
HARRISBURG, PA 17110
KYLE@KSDRAFTINGDESIGNLLC.COM
717-228-7114

DRAWN BY: KYLE SCHNECK
CHECKED BY: KYLE SCHNECK

DATE: 02/26/2017

SHEET:
218

FASTENER SCHEDULE		
TYPE A - JAMB	- 1/4-14 ELCO DRILL-FLEX - (1) 1" FROM JAMB	
TYPE B - JAMB	- 1/4-14 ELCO DRILL-FLEX - (2) 1" FROM JAMB, 1" APART	
TYPE C - JAMB	- 1/4-14 ELCO DRILL-FLEX - (3) 1" FROM JAMB, 1" APART	
TYPE D - VERT & CORNER	- 1/4-14 ELCO DRILL-FLEX - (2) TOTAL, (1) EA. SIDE, 1" FROM MULLION	
TYPE E - VERT & CORNER	- 1/4-14 ELCO DRILL-FLEX - (2) TOTAL, (2) EA. SIDE, 1" FROM MULLION, 1" APART	
TYPE F - VERT	- 1/4-14 ELCO DRILL-FLEX - (8) TOTAL, (2) EA. SIDE, 1" FROM MULLION, 1" APART	
TYPE G - TYP	- 1/4-14 ELCO DRILL-FLEX - (1) 24" O.C.	
TYPE H - SIDE DOOR JAMB	- 1/4-14 ELCO DRILL-FLEX - (2) TOTAL, 3" ABOVE FINISHED FLOOR, 1" APART	
TYPE I - PLATE CONNECTION	- 1/4-14 ELCO DRILL-FLEX - (2) TOTAL, 2" FROM EACH END OF PLATE	
TYPE J - DOOR VERTICAL	- 1/4-14 ELCO DRILL-FLEX - (2) TOTAL, (1) EA. SIDE, 1" FROM MULLION	
TYPE K - SIDE DOOR JAMB	- 1/4-14 ELCO DRILL-FLEX - (4) TOTAL, 3" ABOVE FINISHED FLOOR, OTHERS EVENLY SPACED IN PLATE	
TYPE L - JAMB	- 1/4-20 ELCO DRILL-FLEX - (2) 1" FROM JAMB, 1" APART	
TYPE M - VERT	- 1/4-20 ELCO DRILL-FLEX - (2) TOTAL, (1) EA. SIDE - 1" FROM MULLION	
TYPE N - TYP	- 12-14 C.S. - (1) 12" O.C. FULL LENGTH OF STEEL, (1) 1" FROM EA. END	
TYPE O - JAMB	- 3/8" DIAMETER POWERS WEDGE BOLT + W/ 3" MIN. EDGE DIST. & 2 1/2" MIN. EMBED - (2) 1" FROM JAMB, 3" APART	
TYPE P - VERT	- 3/8" DIAMETER POWERS WEDGE BOLT + W/ 3" MIN. EDGE DIST. & 2 1/2" MIN. EMBED - (2) TOTAL, (1) EA. SIDE - 1" FROM MULLION	
TYPE Q - U CLIP	- 3/8" DIAMETER POWERS WEDGE BOLT + W/ 2 1/2" MIN. EDGE DIST. & 2 1/2" MIN. EMBED - (2) TOTAL, CENTERED IN U CLIP, 3" APART	
TYPE R - JAMB & DOOR JAMB	- 3/8" DIAMETER POWERS WEDGE BOLT + W/ 2 1/2" MIN. EDGE DIST. & 2 1/2" MIN. EMBED - (1) 1" FROM JAMB	
TYPE S - VERT	- 3/8" DIAMETER POWERS WEDGE BOLT + W/ 2 1/2" MIN. EDGE DIST. & 2 1/2" MIN. EMBED - (1) CENTERED AT VERTICAL	
TYPE T - TYP	- 3/8" DIAMETER POWERS WEDGE BOLT + W/ 2 1/2" MIN. EDGE. & 2 1/2" MIN. EMBED - (1) 24" O.C.	



NO.	REVISION/ISSUED	DATE
1	1ST SUBMITTAL	02/26/2017
2	REVISIONS	03/07/2017
3	PER ENGINEERING COMMENTS	03/27/2017

PROJECT NAME & LOCATION:
BROAD CREEK LIBRARY
1425 NORCHESTER AVE.
NORFOLK, VA

SHEET TITLE:
DETAILS

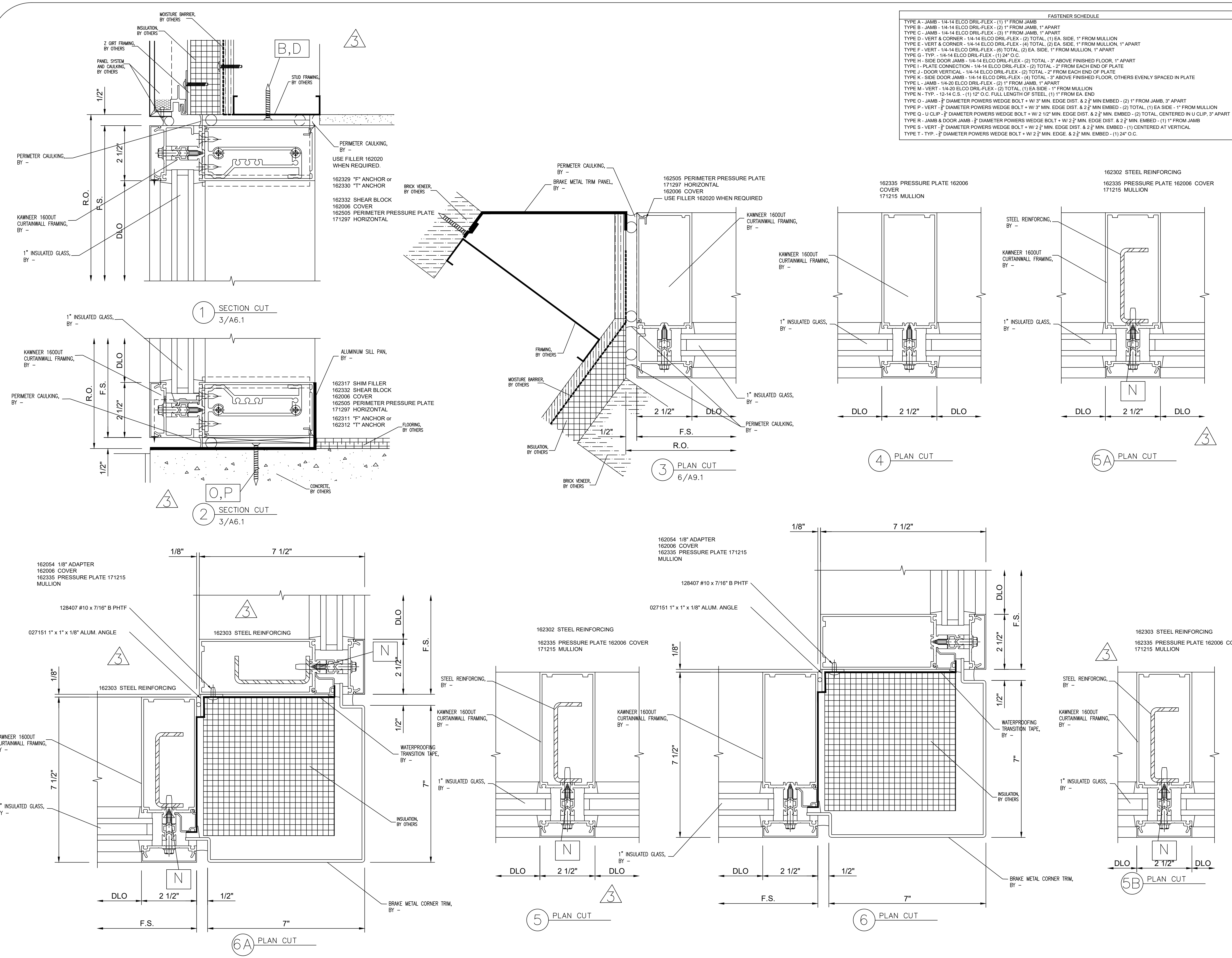
ARCHITECT:
 TMA

DRAWN BY:
 KS DRAFTING & DESIGN, LLC
 KYLE SCHNECK
 HARRISBURG, PA 17110
 KYLE@KSDRAFTINGDESIGNLLC.COM
 717-228-7114

DRAWN BY: KYLE SCHNECK
 CHECKED BY: KYLE SCHNECK

DATE: 03/27/2017
 SHEET: 400

FASTENER SCHEDULE		
TYPE A - JAMB	- 1/4-14 ELCO DRIL-FLEX - (1) 1" FROM JAMB	
TYPE B - JAMB	- 1/4-14 ELCO DRIL-FLEX - (2) 1" FROM JAMB, 1" APART	
TYPE C - JAMB	- 1/4-14 ELCO DRIL-FLEX - (3) 1" FROM JAMB, 1" APART	
TYPE D - VERT & CORNER	- 1/4-14 ELCO DRIL-FLEX - (2) TOTAL, (1) EA. SIDE, 1" FROM MULLION	
TYPE E - VERT & CORNER	- 1/4-14 ELCO DRIL-FLEX - (4) TOTAL, (2) EA. SIDE, 1" FROM MULLION, 1" APART	
TYPE F - VERT	- 1/4-14 ELCO DRIL-FLEX - (6) TOTAL, (2) EA. SIDE, 1" FROM MULLION, 1" APART	
TYPE G - TYP	- 1/4-14 ELCO DRIL-FLEX - (1) 24" O.C.	
TYPE H - SIDE DOOR JAMB	- 1/4-14 ELCO DRIL-FLEX - (2) TOTAL - 3" ABOVE FINISHED FLOOR, 1" APART	
TYPE I - PLATE CONNECTION	- 1/4-14 ELCO DRIL-FLEX - (2) TOTAL - 2" FROM EACH END OF PLATE	
TYPE J - DOOR VERTICAL	- 1/4-14 ELCO DRIL-FLEX - (2) TOTAL - 2" FROM EACH END OF PLATE	
TYPE K - SIDE DOOR JAMB	- 1/4-14 ELCO DRIL-FLEX - (6) TOTAL - 3" ABOVE FINISHED FLOOR, OTHERS EVENLY SPACED IN PLATE	
TYPE L - JAMB	- 1/4-20 ELCO DRIL-FLEX - (2) 1" FROM JAMB, 1" APART	
TYPE M - VERT	- 1/4-20 ELCO DRIL-FLEX - (2) TOTAL, (1) EA. SIDE - 1" FROM MULLION	
TYPE N - TYP	- 12-14 G.S. - (1) 12" O.C. FULL LENGTH OF STEEL, (1) 1" FROM EA. END	
TYPE O - JAMB	- 3/8" DIAMETER POWERS WEDGE BOLT + W/ 3" MIN. EDGE DIST. & 2 1/2" MIN. EMBED - (2) 1" FROM JAMB, 3" APART	
TYPE P - VERT	- 3/8" DIAMETER POWERS WEDGE BOLT + W/ 3" MIN. EDGE DIST. & 2 1/2" MIN. EMBED - (2) TOTAL, (1) EA. SIDE - 1" FROM MULLION	
TYPE Q - U CLIP	- 3/8" DIAMETER POWERS WEDGE BOLT + W/ 2 1/2" MIN. EDGE DIST. & 2 1/2" MIN. EMBED - (2) TOTAL, CENTERED IN U CLIP, 3" APART	
TYPE R - JAMB & DOOR JAMB	- 3/8" DIAMETER POWERS WEDGE BOLT + W/ 2 1/2" MIN. EDGE DIST. & 2 1/2" MIN. EMBED - (1) 1" FROM JAMB	
TYPE S - VERT	- 3/8" DIAMETER POWERS WEDGE BOLT + W/ 2 1/2" MIN. EDGE DIST. & 2 1/2" MIN. EMBED - (1) CENTERED AT VERTICAL	
TYPE T - TYP	- 3/8" DIAMETER POWERS WEDGE BOLT + W/ 2 1/2" MIN. EDGE. & 2 1/2" MIN. EMBED - (1) 24" O.C.	



NO.	REVISION/ISSUED	DATE
1	1ST SUBMITTAL	02/26/2017
3	PER ENGINEERING COMMENTS	03/27/2017

PROJECT NAME & LOCATION:
BROAD CREEK LIBRARY
1425 NORCHESTER AVE.
NORFOLK, VA

SHEET TITLE:
DETAILS

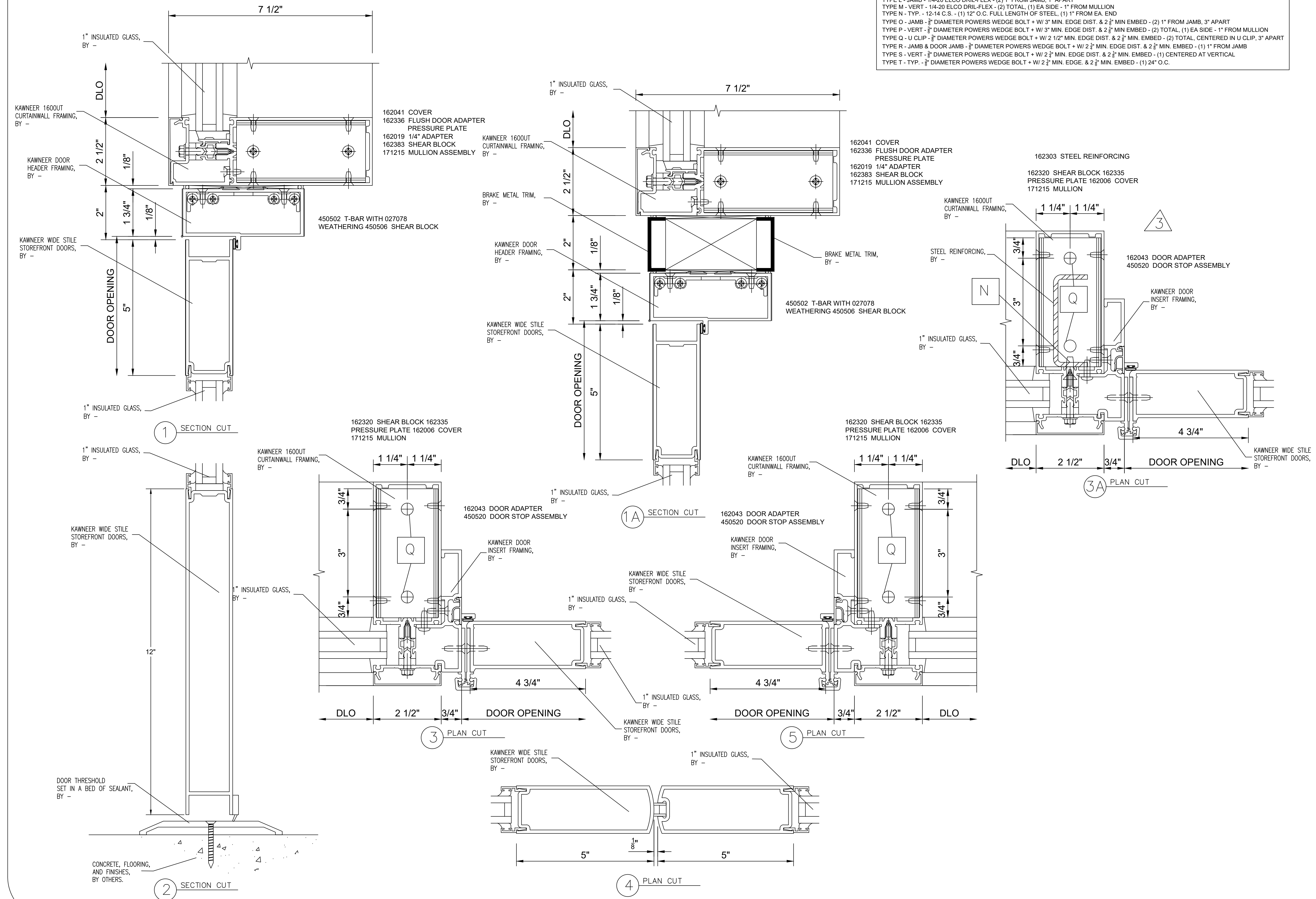
ARCHITECT:
 TMA

DRAWN BY:
 KS DRAFTING & DESIGN, LLC
 KYLE SCHNECK
 HARRISBURG, PA 17110
 KYLE@KSDRAFTINGDESIGNLLC.COM
 717-228-7114

DRAWN BY: KYLE SCHNECK
 CHECKED BY: KYLE SCHNECK

DATE: 03/27/2017
 SHEET: 401

FASTENER SCHEDULE	
TYPE A - JAMB - 1/4-14 ELCO DRIL-FLEX - (1) 1" FROM JAMB	
TYPE B - JAMB - 1/4-14 ELCO DRIL-FLEX - (2) 1" FROM JAMB, 1" APART	
TYPE C - JAMB - 1/4-14 ELCO DRIL-FLEX - (3) 1" FROM JAMB, 1" APART	
TYPE D - VERT & CORNER - 1/4-14 ELCO DRIL-FLEX - (2) TOTAL, (1) EA. SIDE, 1" FROM MULLION	
TYPE E - VERT & CORNER - 1/4-14 ELCO DRIL-FLEX - (4) TOTAL, (2) EA. SIDE, 1" FROM MULLION, 1" APART	
TYPE F - VERT - 1/4-14 ELCO DRIL-FLEX - (6) TOTAL, (2) EA. SIDE, 1" FROM MULLION, 1" APART	
TYPE G - TYP. - 1/4-14 ELCO DRIL-FLEX - (1) 24" O.C.	
TYPE H - SIDE DOOR JAMB - 1/4-14 ELCO DRIL-FLEX - (2) TOTAL - 3" ABOVE FINISHED FLOOR, 1" APART	
TYPE I - PLATE CONNECTION - 1/4-14 ELCO DRIL-FLEX - (2) TOTAL - 2" FROM EACH END OF PLATE	
TYPE J - DOOR VERTICAL - 1/4-14 ELCO DRIL-FLEX - (2) TOTAL - 2" FROM EACH END OF PLATE	
TYPE K - SIDE DOOR JAMB - 1/4-14 ELCO DRIL-FLEX - (4) TOTAL - 3" ABOVE FINISHED FLOOR, OTHERS EVENLY SPACED IN PLATE	
TYPE L - JAMB - 1/4-20 ELCO DRIL-FLEX - (2) 1" FROM JAMB, 1" APART	
TYPE M - VERT - 1/4-20 ELCO DRIL-FLEX - (2) TOTAL, (1) EA. SIDE - 1" FROM MULLION	
TYPE N - TYP. - 12-14 C.S. - (1) 12" O.C. FULL LENGTH OF STEEL, (1) 1" FROM EA. END	
TYPE O - JAMB - 3/8" DIAMETER POWERS WEDGE BOLT + W/ 3" MIN. EDGE DIST. & 2 1/2" MIN. EMBED - (2) 1" FROM JAMB, 3" APART	
TYPE P - VERT - 3/8" DIAMETER POWERS WEDGE BOLT + W/ 3" MIN. EDGE DIST. & 2 1/2" MIN. EMBED - (2) TOTAL, (1) EA. SIDE - 1" FROM MULLION	
TYPE Q - U CLIP - 3/8" DIAMETER POWERS WEDGE BOLT + W/ 2 1/2" MIN. EDGE DIST. & 2 1/2" MIN. EMBED - (2) TOTAL, CENTERED IN U CLIP, 3" APART	
TYPE R - JAMB & DOOR JAMB - 3/8" DIAMETER POWERS WEDGE BOLT + W/ 2 1/2" MIN. EDGE DIST. & 2 1/2" MIN. EMBED - (1) 1" FROM JAMB	
TYPE S - VERT - 3/8" DIAMETER POWERS WEDGE BOLT + W/ 2 1/2" MIN. EDGE DIST. & 2 1/2" MIN. EMBED - (1) CENTERED AT VERTICAL	
TYPE T - TYP. - 3/8" DIAMETER POWERS WEDGE BOLT + W/ 2 1/2" MIN. EDGE. & 2 1/2" MIN. EMBED - (1) 24" O.C.	



NO.	REVISION/ISSUED	DATE
1	1ST SUBMITTAL	02/26/2017
3	PER ENGINEERING COMMENTS	03/27/2017

PROJECT NAME & LOCATION:
BROAD CREEK LIBRARY
1425 NORCHESTER AVE.
NORFOLK, VA

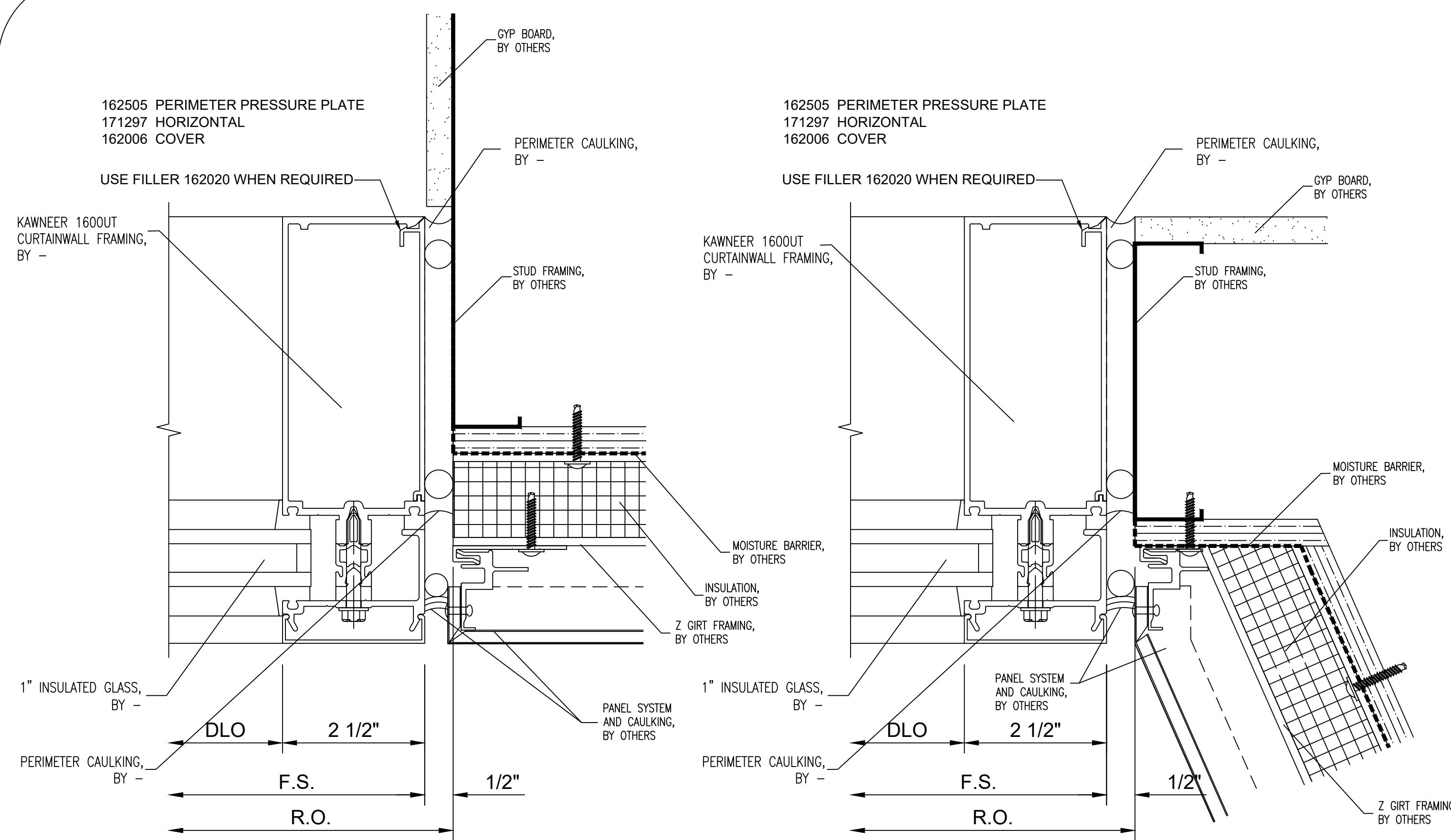
SHEET TITLE:
DETAILS

ARCHITECT:
 TMA

DRAWN BY:
 KS DRAFTING & DESIGN, LLC
 KYLE SCHNECK
 HARRISBURG, PA 17110
 KYLE@KSDRAFTINGDESIGNLLC.COM
 717-228-7114

DRAWN BY: KYLE SCHNECK
 CHECKED BY: KYLE SCHNECK

DATE: 03/27/2017
 SHEET: 402

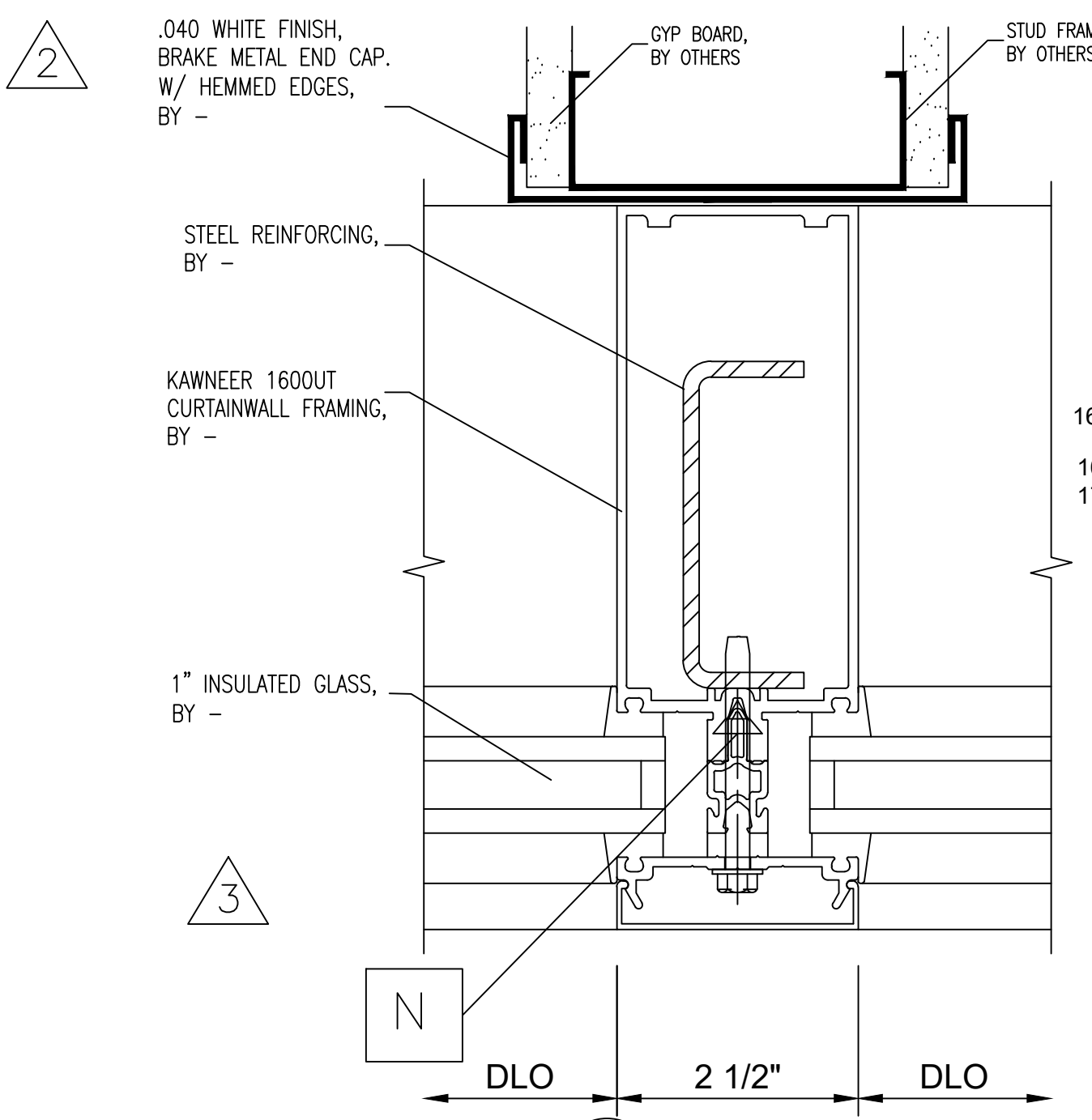


1 PLAN CUT
5/A9.1

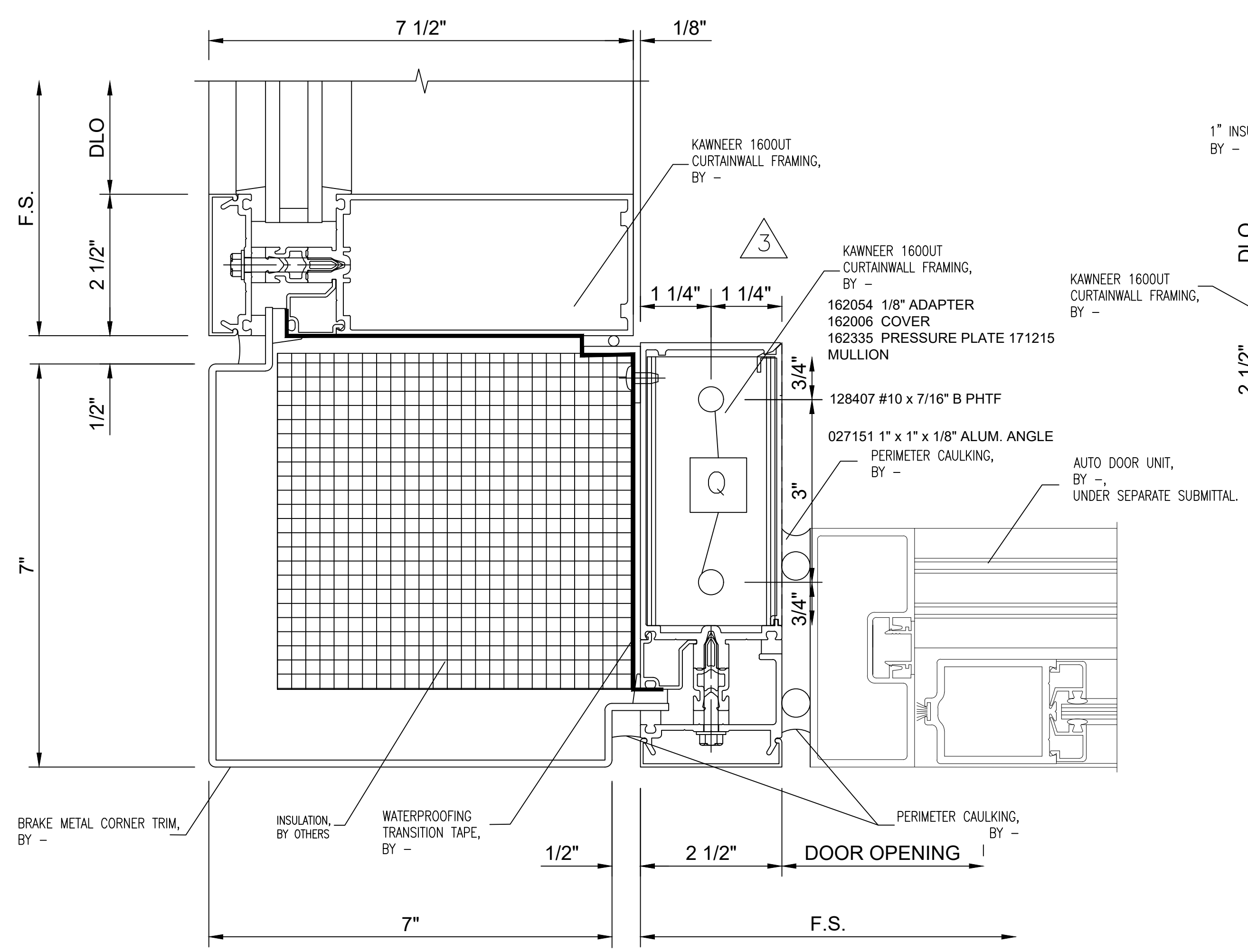
2 PLAN CUT
8/A9.3

FASTENER SCHEDULE

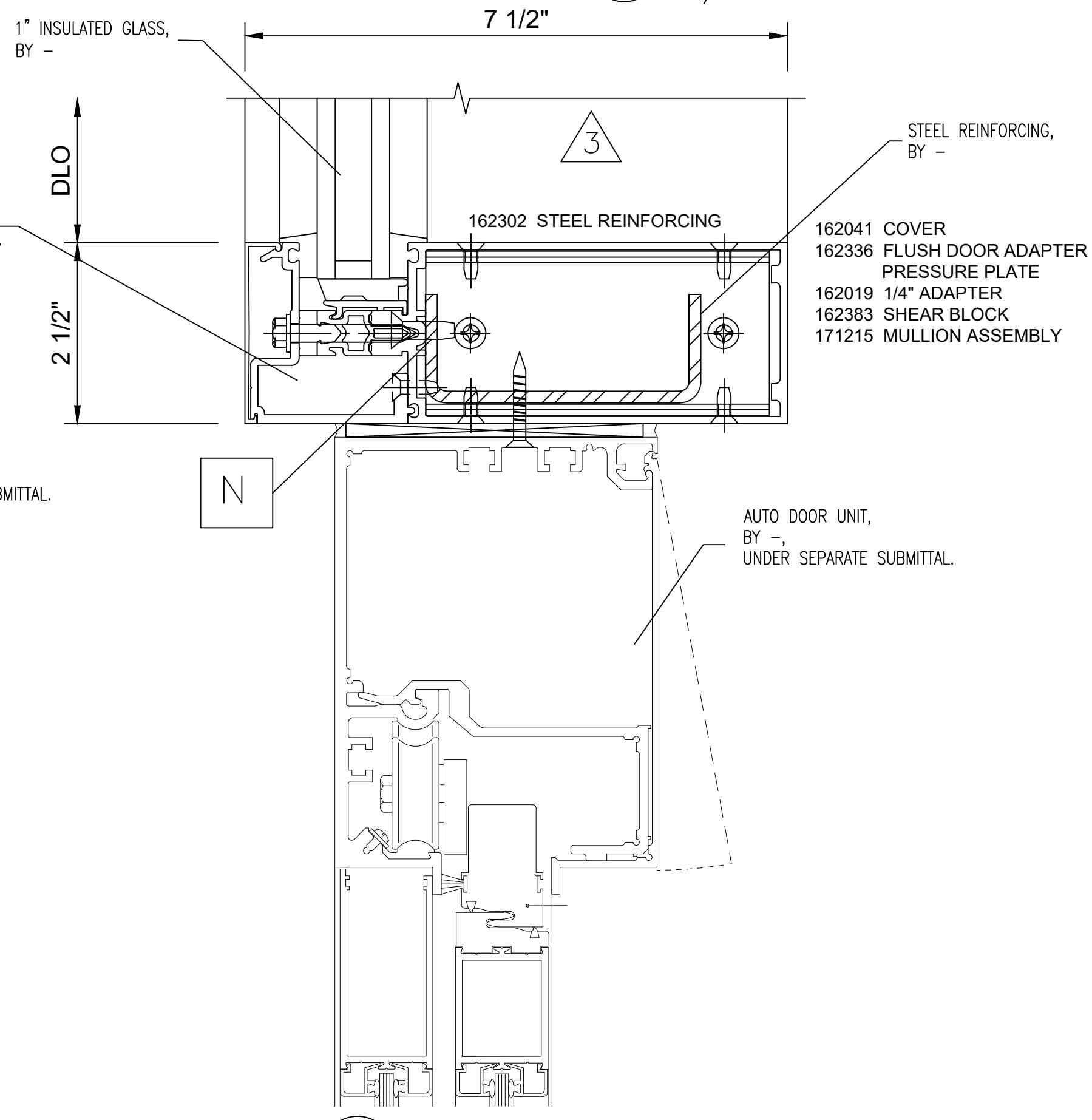
TYPE A - JAMB - 1/4-14 ELCO DRILL-FLEX - (1) 1" FROM JAMB
TYPE B - JAMB - 1/4-14 ELCO DRILL-FLEX - (2) 1" FROM JAMB, 1" APART
TYPE C - JAMB - 1/4-14 ELCO DRILL-FLEX - (3) 1" FROM JAMB, 1" APART
TYPE D - VERT & CORNER - 1/4-14 ELCO DRILL-FLEX - (2) TOTAL, (1) EA. SIDE, 1" FROM MULLION, 1" APART
TYPE E - VERT & CORNER - 1/4-14 ELCO DRILL-FLEX - (4) TOTAL, (2) EA. SIDE, 1" FROM MULLION, 1" APART
TYPE F - VERT - 1/4-14 ELCO DRILL-FLEX - (6) TOTAL, (2) EA. SIDE, 1" FROM MULLION, 1" APART
TYPE G - TYP - 1/4-14 ELCO DRILL-FLEX - (1) 24" O.C.
TYPE H - SIDE DOOR JAMB - 1/4-14 ELCO DRILL-FLEX - (2) TOTAL - 3" ABOVE FINISHED FLOOR, 1" APART
TYPE I - PLATE CONNECTION - 1/4-14 ELCO DRILL-FLEX - (2) TOTAL - 2" FROM EACH END OF PLATE
TYPE J - DOOR VERTICAL - 1/4-14 ELCO DRILL-FLEX - (2) TOTAL - 2" FROM EACH END OF PLATE
TYPE K - SIDE DOOR JAMB - 1/4-14 ELCO DRILL-FLEX - (4) TOTAL - 3" ABOVE FINISHED FLOOR, OTHERS EVENLY SPACED IN PLATE
TYPE L - JAMB - 1/4-20 ELCO DRILL-FLEX - (2) 1" FROM JAMB, 1" APART
TYPE M - VERT - 1/4-20 ELCO DRILL-FLEX - (2) TOTAL, (1) EA. SIDE - 1" FROM MULLION
TYPE N - TYP - 12-14 C.S. - (1) 12" O.C. FULL LENGTH OF STEEL, (1) 1" FROM EA. END
TYPE O - JAMB - 3/8" DIAMETER POWERS WEDGE BOLT + W/ 3" MIN. EDGE DIST. & 2 1/2" MIN. EMBED - (2) 1" FROM JAMB, 3" APART
TYPE P - VERT - 3/8" DIAMETER POWERS WEDGE BOLT + W/ 3" MIN. EDGE DIST. & 2 1/2" MIN. EMBED - (2) TOTAL, (1) EA. SIDE - 1" FROM MULLION
TYPE Q - U-CLIP - 3/8" DIAMETER POWERS WEDGE BOLT + W/ 2 1/2" MIN. EDGE DIST. & 2 1/2" MIN. EMBED - (2) TOTAL, CENTERED IN U-CLIP, 3" APART
TYPE R - JAMB & DOOR JAMB - 3/8" DIAMETER POWERS WEDGE BOLT + W/ 2 1/2" MIN. EDGE DIST. & 2 1/2" MIN. EMBED - (1) 1" FROM JAMB
TYPE S - VERT - 3/8" DIAMETER POWERS WEDGE BOLT + W/ 2 1/2" MIN. EDGE DIST. & 2 1/2" MIN. EMBED - (1) CENTERED AT VERTICAL
TYPE T - TYP - 3/8" DIAMETER POWERS WEDGE BOLT + W/ 2 1/2" MIN. EDGE. & 2 1/2" MIN. EMBED - (1) 24" O.C.



3 PLAN CUT
15/A9.3



3 PLAN CUT



4 SECTION CUT

NO.	REVISION/ISSUED	DATE
1	1ST SUBMITTAL	02/26/2017
2	REVISIONS	03/07/2017
3	PER ENGINEERING COMMENTS	03/27/2017

PROJECT NAME & LOCATION:
BROAD CREEK LIBRARY
1425 NORCHESTER AVE.
NORFOLK, VA

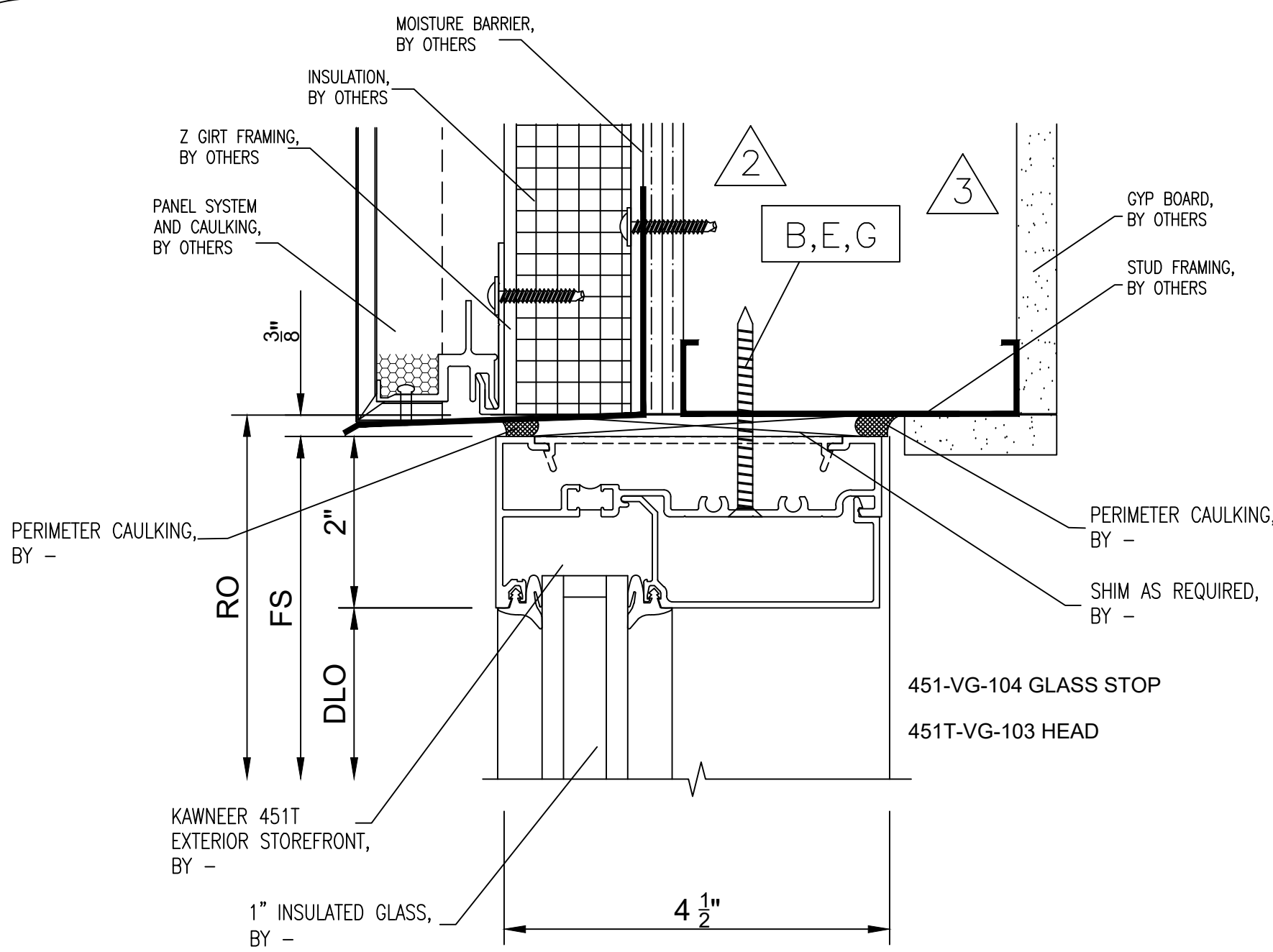
SHEET TITLE:
DETAILS

ARCHITECT:
 TMA

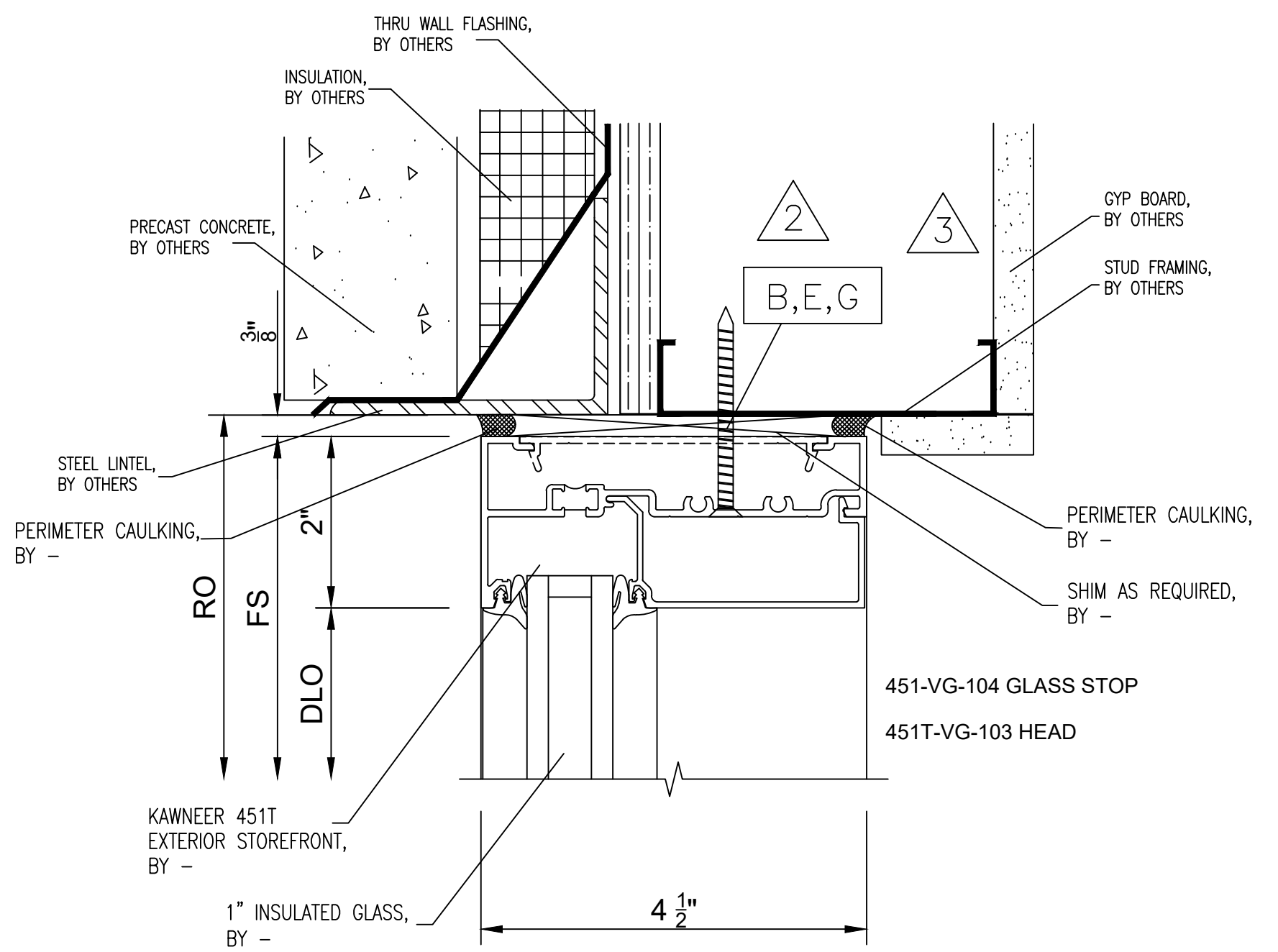
DRAWN BY:
 KS DRAFTING & DESIGN, LLC
 KYLE SCHNECK
 HARRISBURG, PA 17110
 KYLE@KSDRAFTINGDESIGNLLC.COM
 717-228-7114

DRAWN BY: KYLE SCHNECK
 CHECKED BY: KYLE SCHNECK

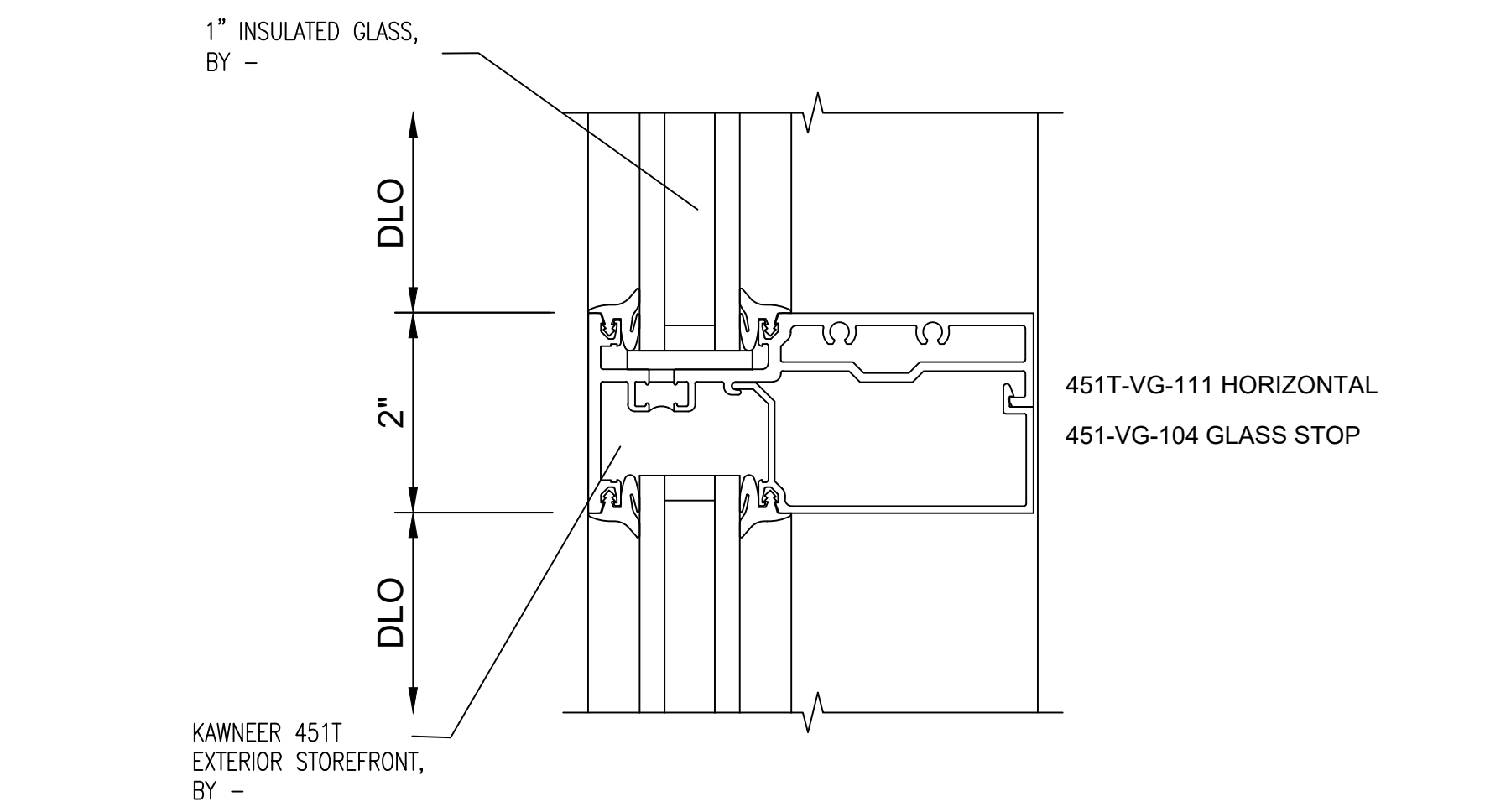
DATE: 03/27/2017
 SHEET: 403



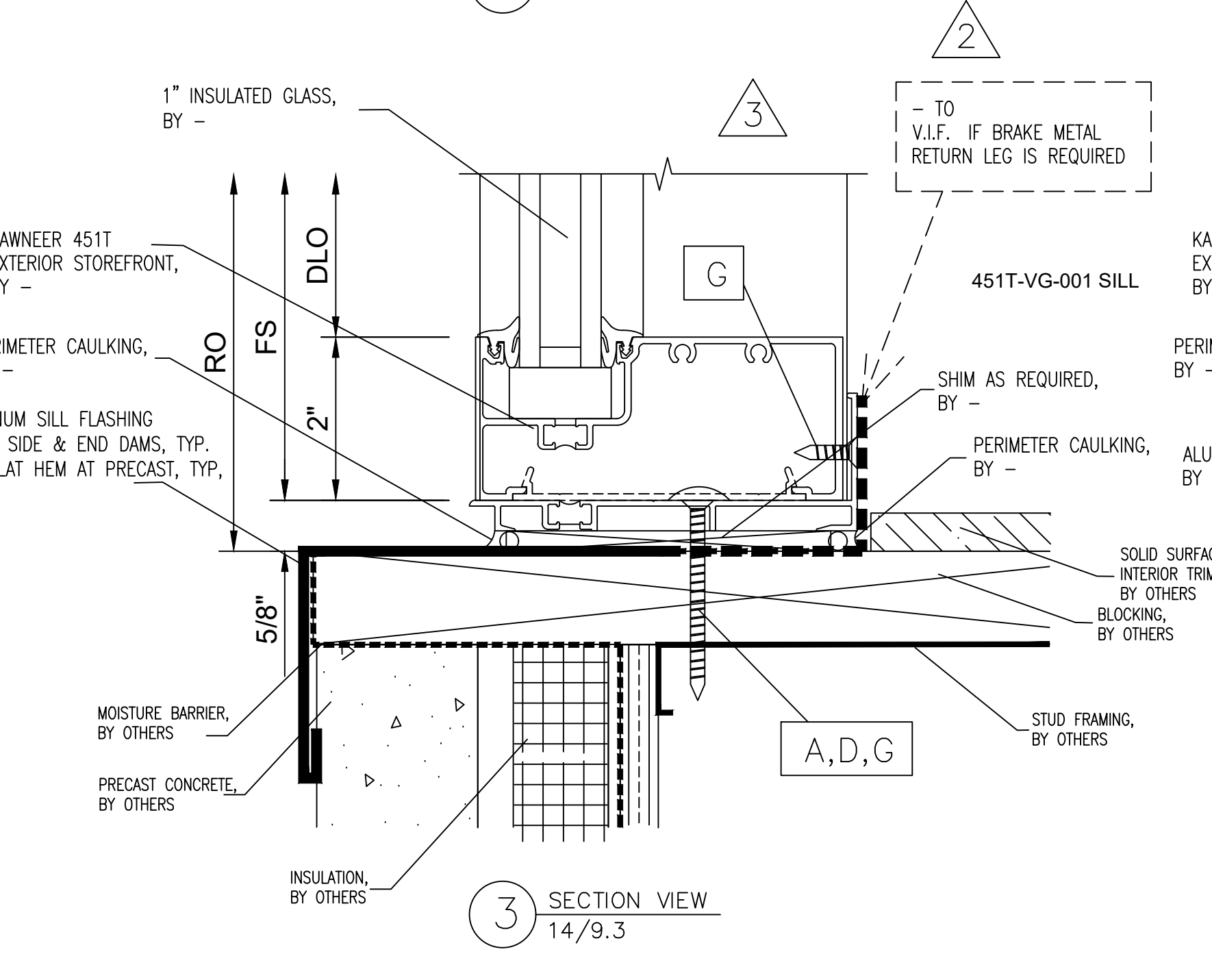
1 SECTION VIEW
14/9.3



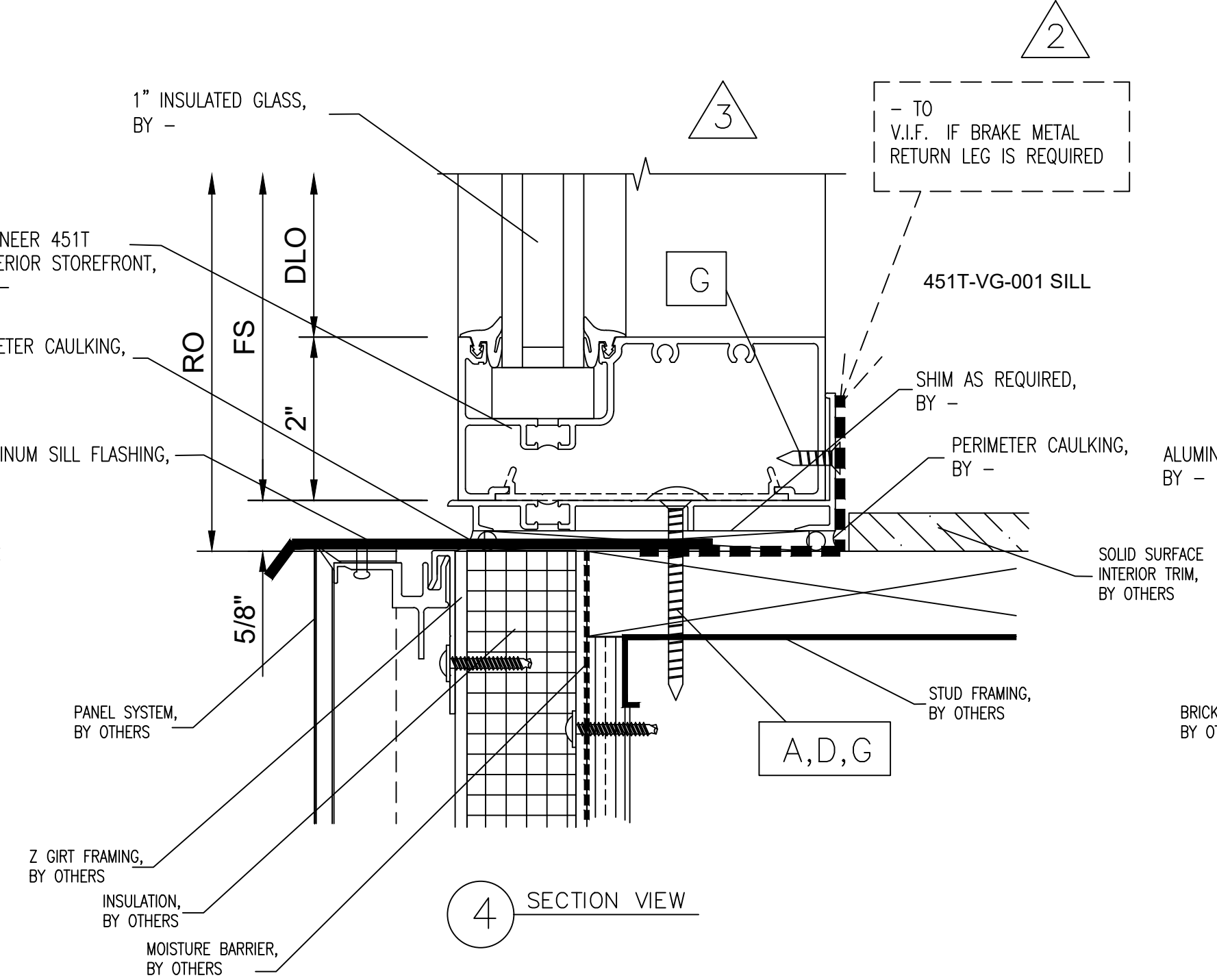
5 SECTION VIEW
13/9.3



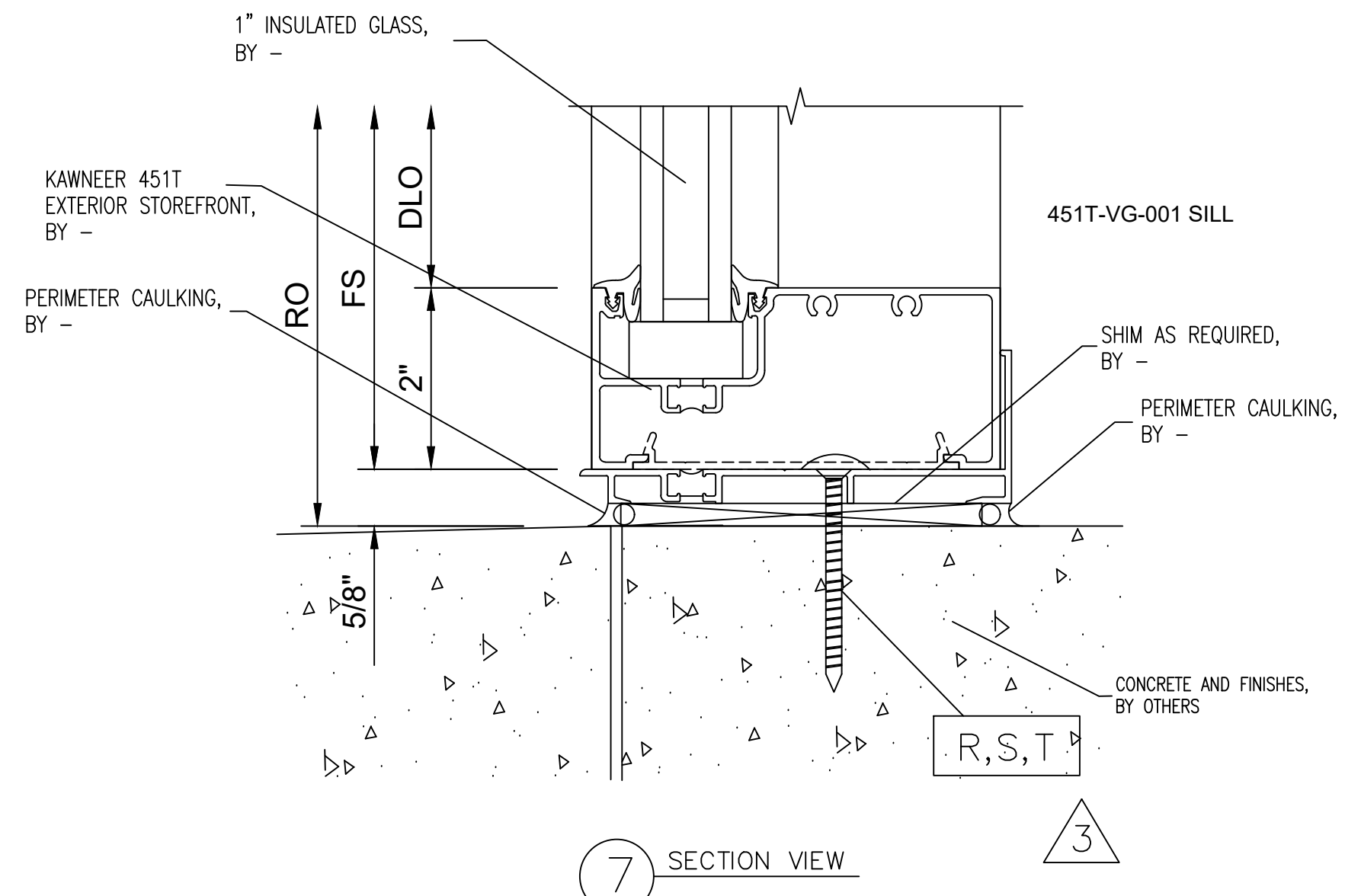
2 SECTION VIEW



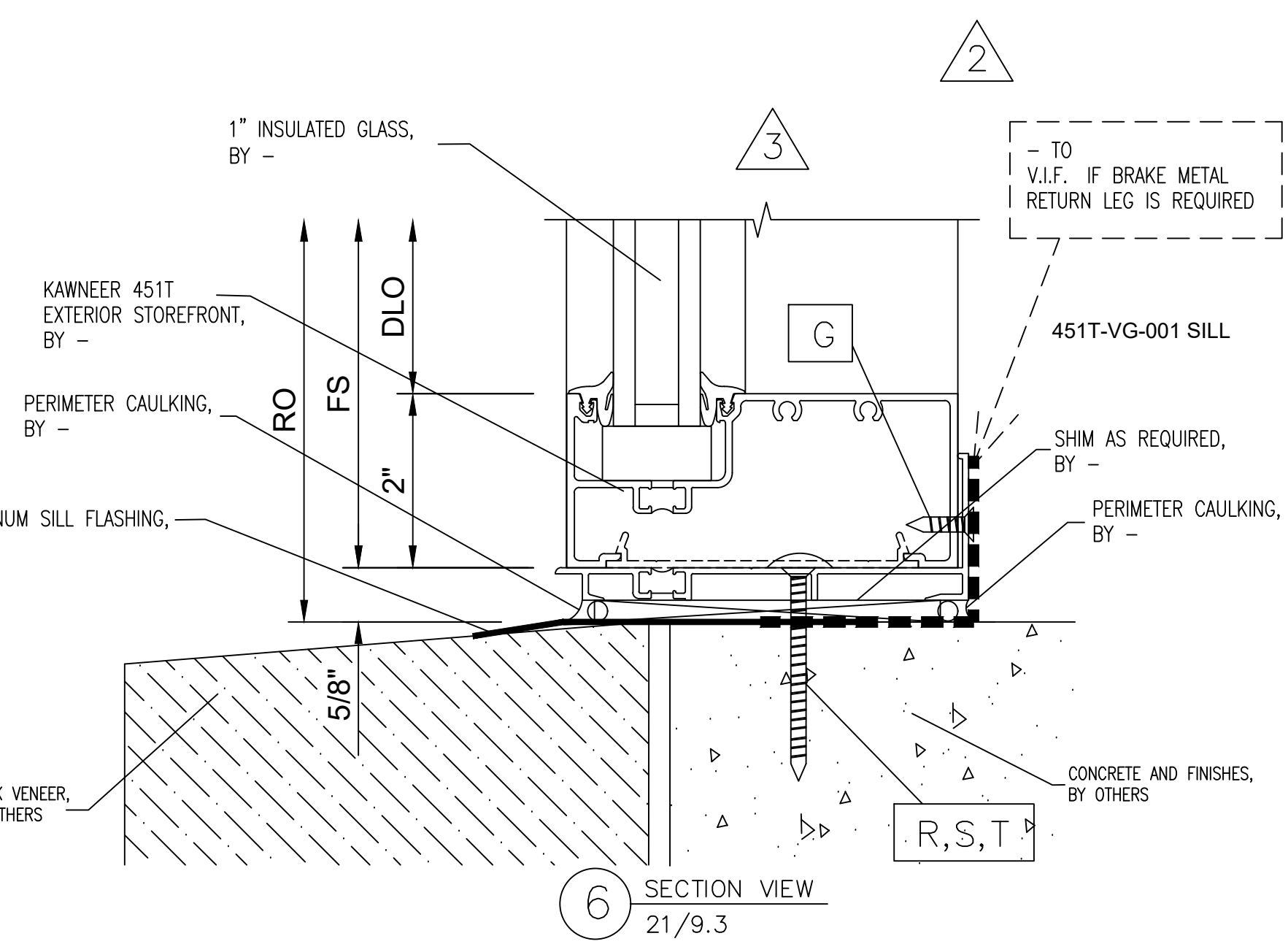
3 SECTION VIEW
14/9.3



4 SECTION VIEW



7 SECTION VIEW



6 SECTION VIEW
21/9.3

FASTENER SCHEDULE

TYPE A - JAMB - 1/4-14 ELCO DRILL-FLEX - (1) 1" FROM JAMB
TYPE B - JAMB - 1/4-14 ELCO DRILL-FLEX - (2) 1" FROM JAMB, 1" APART
TYPE C - JAMB - 1/4-14 ELCO DRILL-FLEX - (3) 1" FROM JAMB, 1" APART
TYPE D - VERT & CORNER - 1/4-14 ELCO DRILL-FLEX - (2) TOTAL, (1) EA. SIDE, 1" FROM MULLION
TYPE E - VERT & CORNER - 1/4-14 ELCO DRILL-FLEX - (4) TOTAL, (2) EA. SIDE, 1" FROM MULLION, 1" APART
TYPE F - VERT - 1/4-14 ELCO DRILL-FLEX - (6) TOTAL, (2) EA. SIDE, 1" FROM MULLION, 1" APART
TYPE G - TYP - 1/4-14 ELCO DRILL-FLEX - (1) 24" O.C.
TYPE H - SIDE DOOR JAMB - 1/4-14 ELCO DRILL-FLEX - (2) TOTAL - 3" ABOVE FINISHED FLOOR, 1" APART
TYPE I - PLATE CONNECTION - 1/4-14 ELCO DRILL-FLEX - (2) TOTAL - 2" FROM EACH END OF PLATE
TYPE J - DOOR VERTICAL - 1/4-14 ELCO DRILL-FLEX - (2) TOTAL - 2" FROM EACH END OF PLATE
TYPE K - SIDE DOOR JAMB - 1/4-14 ELCO DRILL-FLEX - (4) TOTAL - 3" ABOVE FINISHED FLOOR, OTHERS EVENLY SPACED IN PLATE
TYPE L - JAMB - 1/4-20 ELCO DRILL-FLEX - (2) 1" FROM JAMB, 1" APART
TYPE M - VERT - 1/4-20 ELCO DRILL-FLEX - (2) TOTAL, (1) EA. SIDE - 1" FROM MULLION
TYPE N - TYP - 12-14 C.S. - (1) 12" O.C. FULL LENGTH OF STEEL, (1) 1" FROM EA. END
TYPE O - JAMB - 3/8" DIAMETER POWERS WEDGE BOLT + W/ 3" MIN. EDGE DIST. & 2 1/2" MIN. EMBED - (2) 1" FROM JAMB, 3" APART
TYPE P - VERT - 3/8" DIAMETER POWERS WEDGE BOLT + W/ 3" MIN. EDGE DIST. & 2 1/2" MIN. EMBED - (2) TOTAL, (1) EA. SIDE - 1" FROM MULLION
TYPE Q - U CLIP - 3/8" DIAMETER POWERS WEDGE BOLT + W/ 2 1/2" MIN. EDGE DIST. & 2 1/2" MIN. EMBED - (2) TOTAL, CENTERED IN U CLIP, 3" APART
TYPE R - JAMB & DOOR JAMB - 3/8" DIAMETER POWERS WEDGE BOLT + W/ 2 1/2" MIN. EDGE DIST. & 2 1/2" MIN. EMBED - (1) 1" FROM JAMB
TYPE S - VERT - 3/8" DIAMETER POWERS WEDGE BOLT + W/ 2 1/2" MIN. EDGE DIST. & 2 1/2" MIN. EMBED - (1) CENTERED AT VERTICAL
TYPE T - TYP - 3/8" DIAMETER POWERS WEDGE BOLT + W/ 2 1/2" MIN. EDGE. & 2 1/2" MIN. EMBED - (1) 24" O.C.

NO.	REVISION/ISSUED	DATE
1	1ST SUBMITTAL	02/26/2017
2	REVISIONS	03/07/2017
3	PER ENGINEERING COMMENTS	03/27/2017

PROJECT NAME & LOCATION:
BROAD CREEK LIBRARY
1425 NORCHESTER AVE.
NORFOLK, VA

SHEET TITLE:
DETAILS

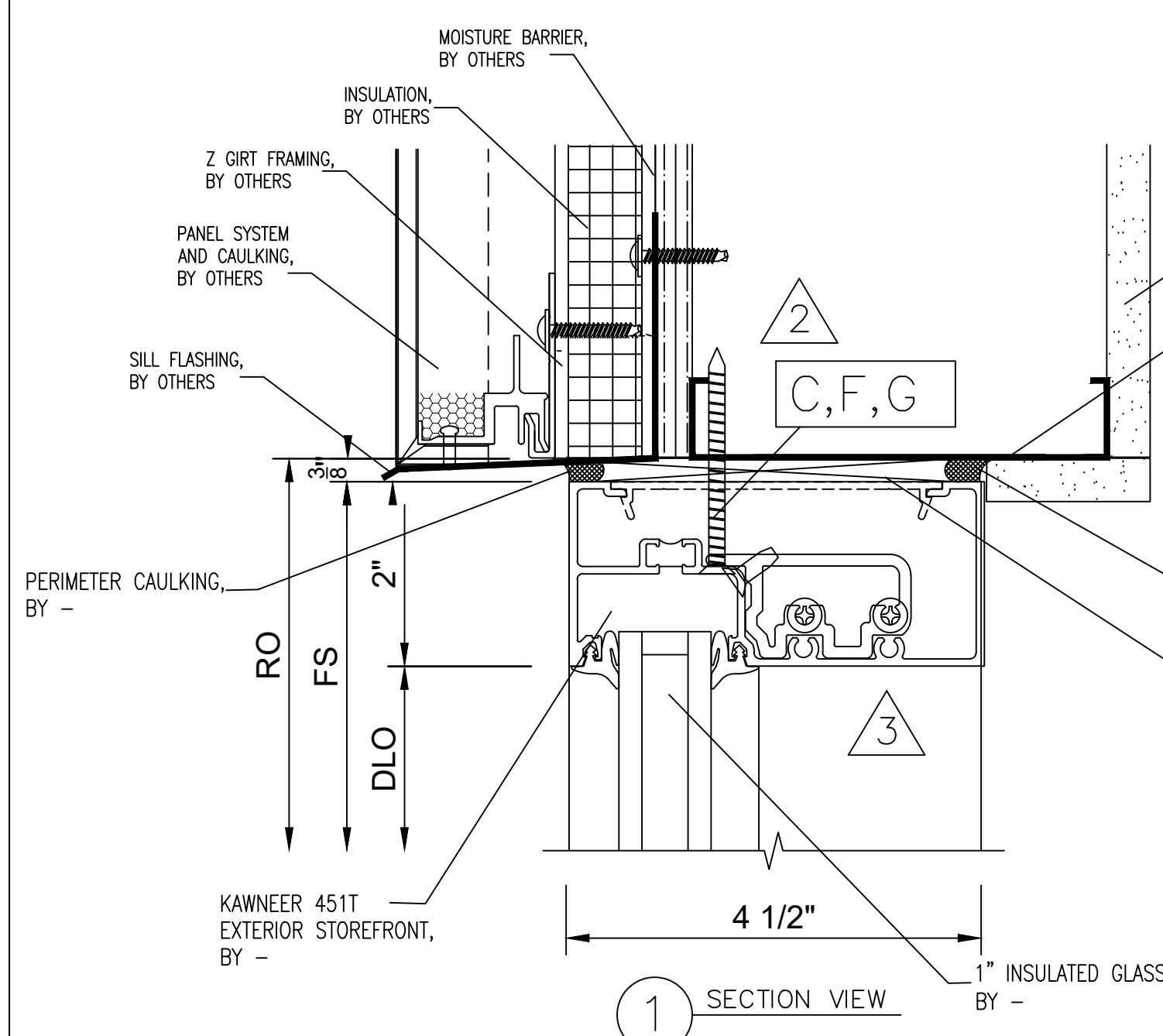
ARCHITECT:
TMA

DRAWN BY:
KS DRAFTING & DESIGN, LLC
KYLE SCHNECK
HARRISBURG, PA 17110
KYLE@KSDRAFTINGDESIGNLLC.COM
717-228-7114

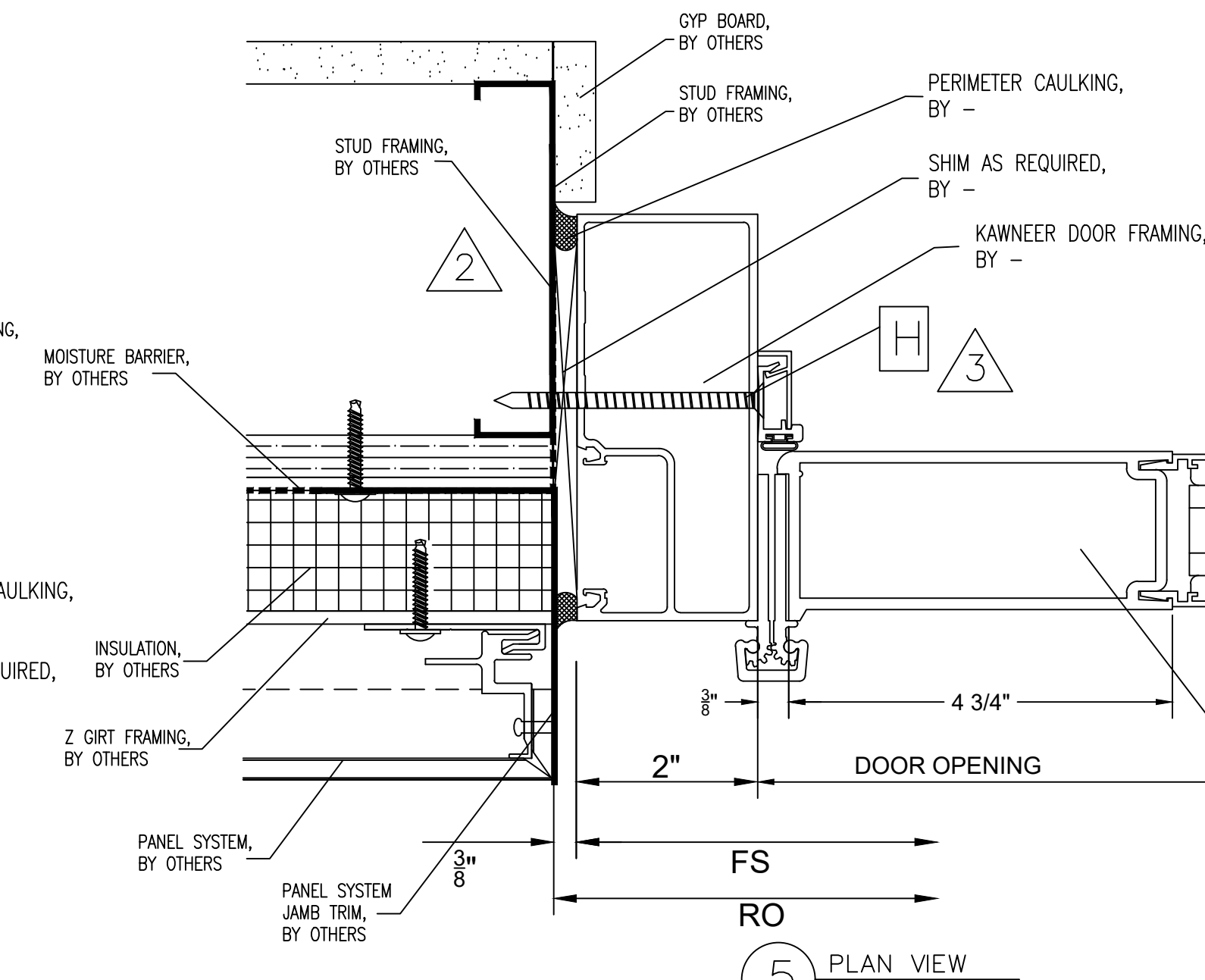
CHECKED BY:
KYLE SCHNECK

DATE:
03/27/2017

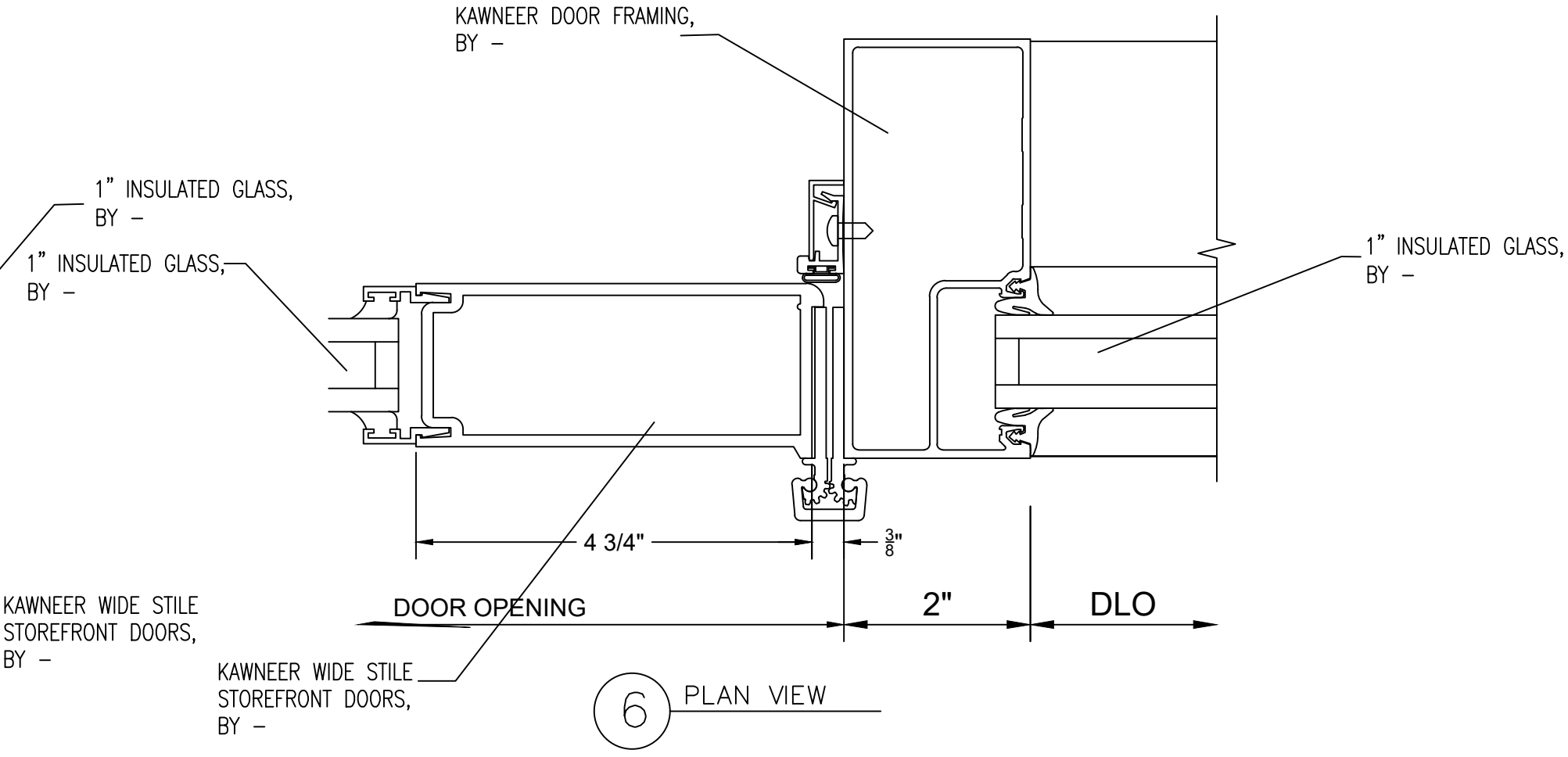
SHEET:
404



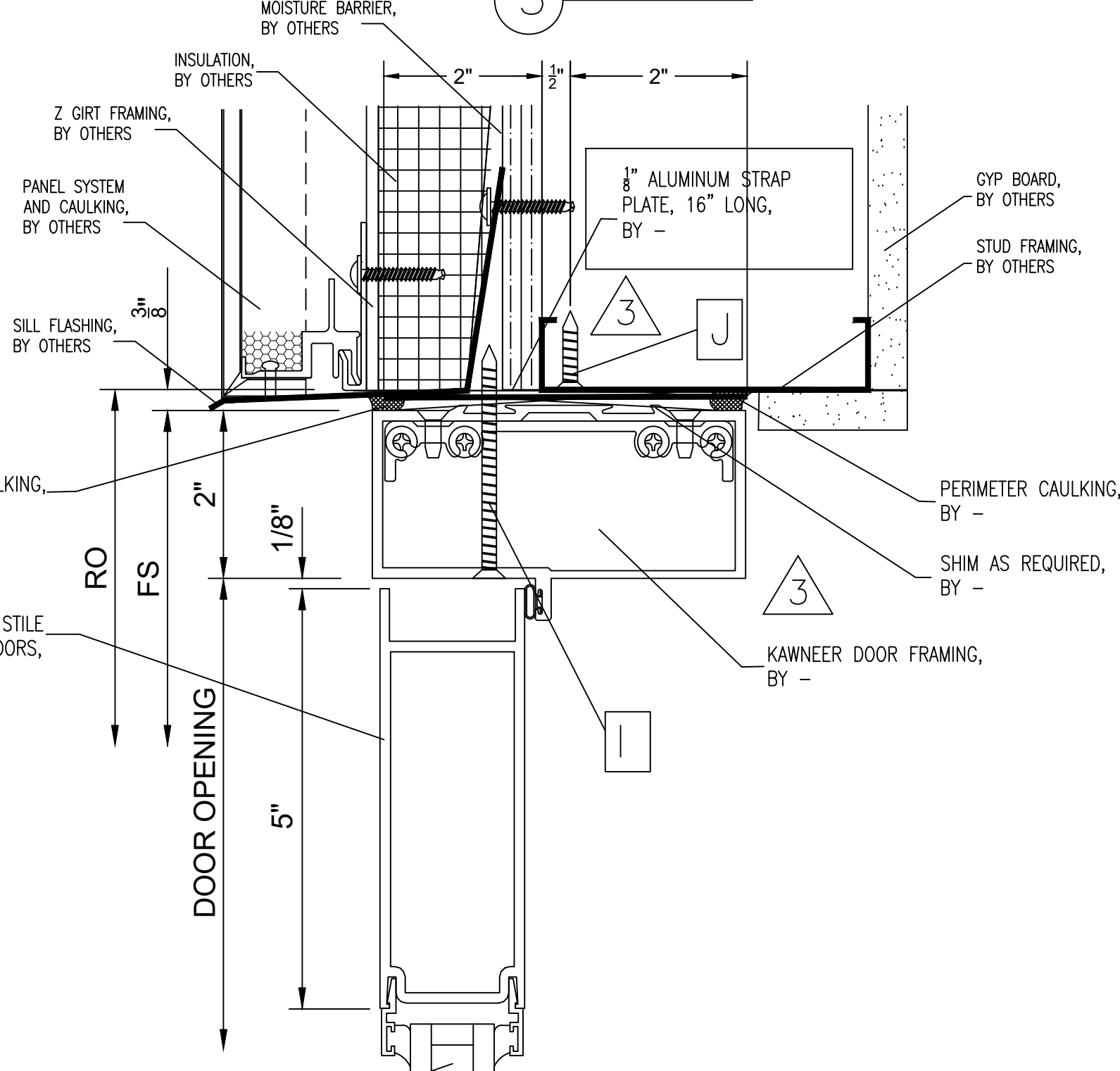
1 SECTION VIEW



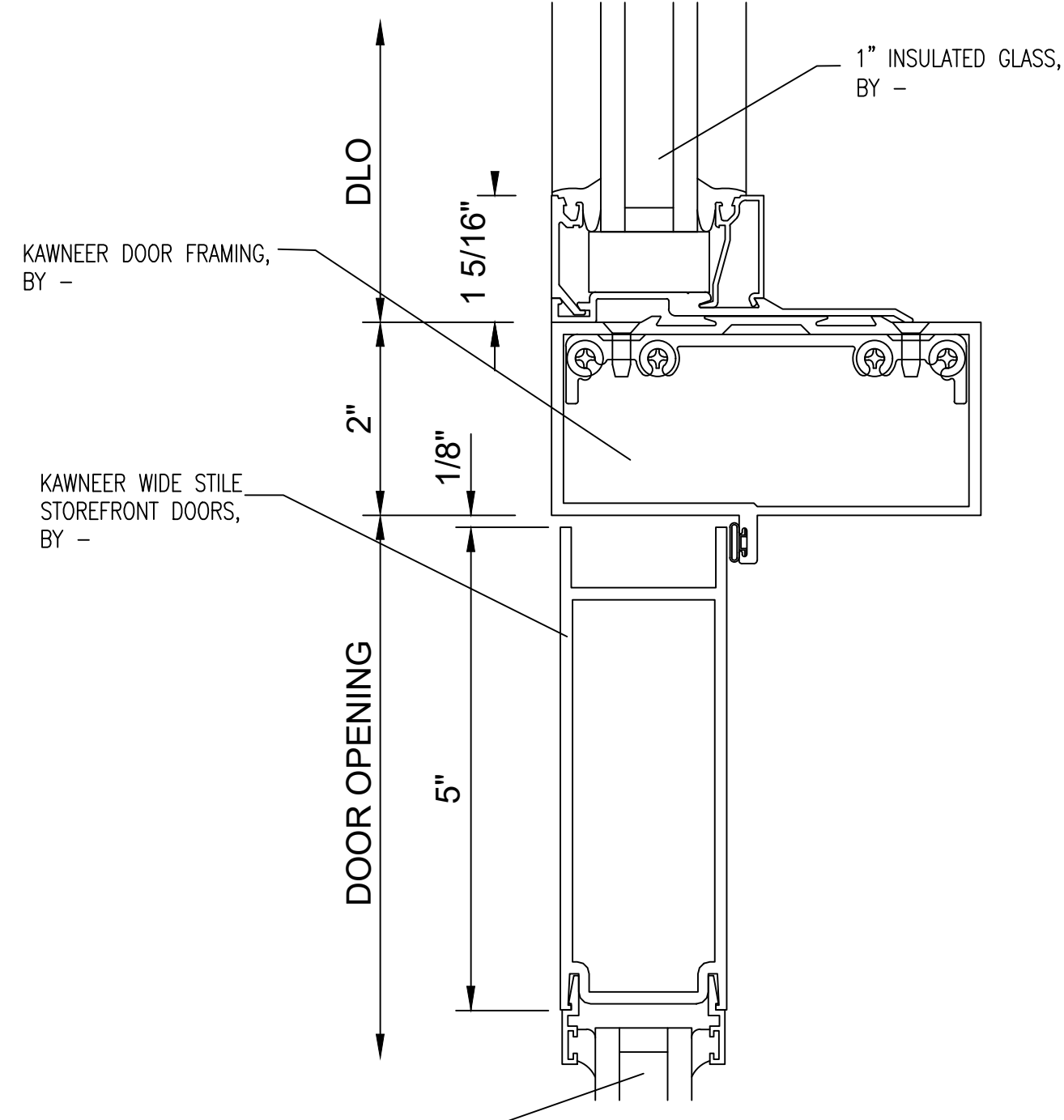
2 SECTION VIEW



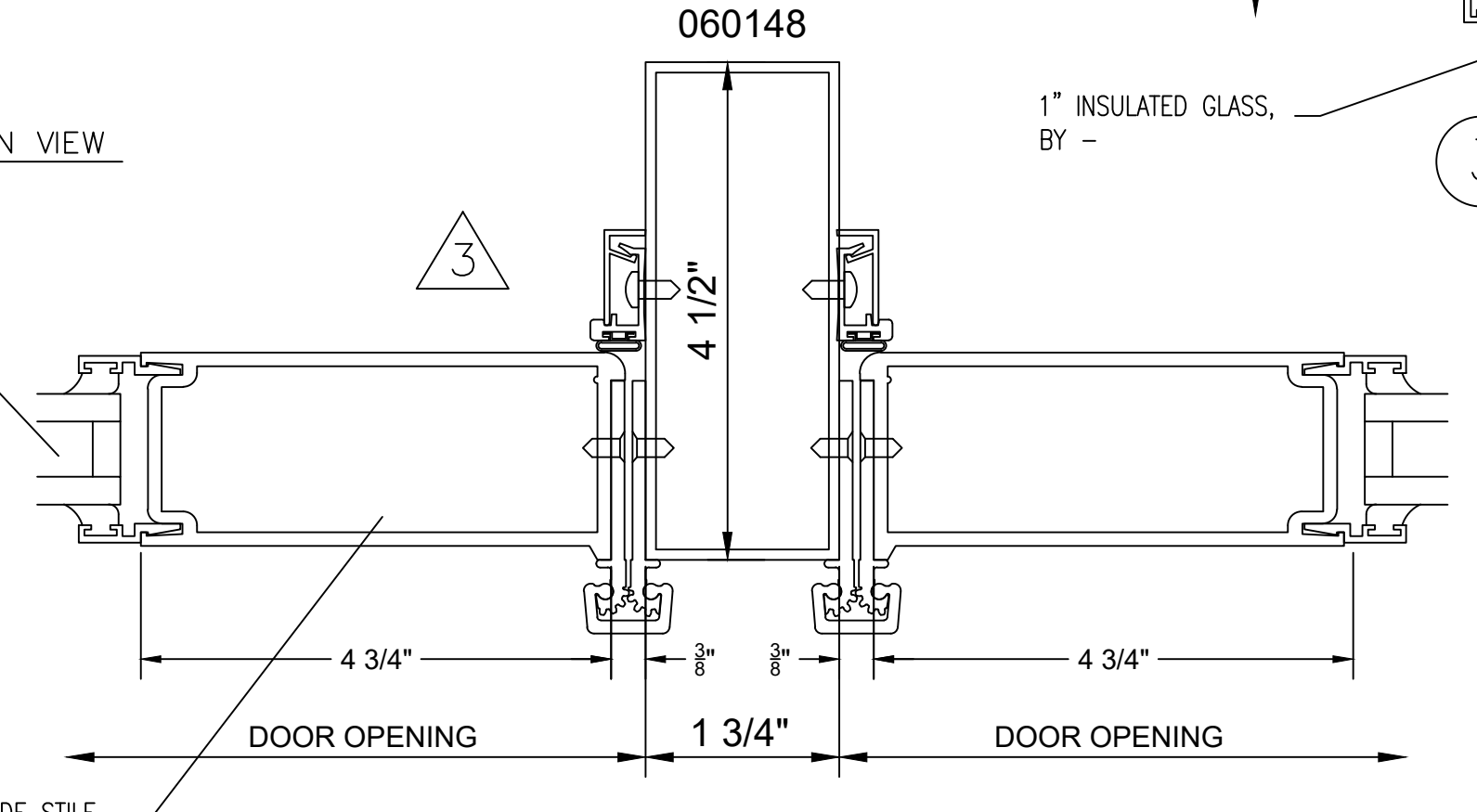
3 PLAN VIEW



4 SECTION VIEW



5 SECTION VIEW



6 PLAN VIEW

FASTENER SCHEDULE

TYPE A - JAMB - 1/4-14 ELCO DRIL-FLEX - (1) 1" FROM JAMB
TYPE B - JAMB - 1/4-14 ELCO DRIL-FLEX - (2) 1" FROM JAMB, 1" APART
TYPE C - JAMB - 1/4-14 ELCO DRIL-FLEX - (3) 1" FROM JAMB, 1" APART
TYPE D - VERT & CORNER - 1/4-14 ELCO DRIL-FLEX - (2) TOTAL, (1) EA. SIDE, 1" FROM MULLION
TYPE E - VERT & CORNER - 1/4-14 ELCO DRIL-FLEX - (4) TOTAL, (2) EA. SIDE, 1" FROM MULLION, 1" APART
TYPE F - VERT - 1/4-14 ELCO DRIL-FLEX - (6) TOTAL, (2) EA. SIDE, 1" FROM MULLION, 1" APART
TYPE G - TYP - 1/4-14 ELCO DRIL-FLEX - (1) 24" O.C.
TYPE H - SIDE DOOR JAMB - 1/4-14 ELCO DRIL-FLEX - (2) TOTAL, -3" ABOVE FINISHED FLOOR, 1" APART
TYPE I - PLATE CONNECTION - 1/4-14 ELCO DRIL-FLEX - (3) TOTAL - 2" FROM EACH END OF PLATE, AND (1) CENTERED
TYPE J - DOOR VERTICAL - 1/4-14 ELCO DRIL-FLEX - (3) TOTAL - 2" FROM EACH END OF PLATE, AND (1) CENTERED
TYPE K - SIDE DOOR JAMB - 1/4-14 ELCO DRIL-FLEX - (4) TOTAL, -3" ABOVE FINISHED FLOOR, OTHERS EVENLY SPACED IN PLATE
TYPE L - JAMB - 1/4-20 ELCO DRIL-FLEX - (2) 1" FROM JAMB, 1" APART
TYPE M - VERT - 1/4-20 ELCO DRIL-FLEX - (2) TOTAL, (1) EA. SIDE - 1" FROM MULLION
TYPE N - TYP - 12-14 C.S. - (1) 12" O.C. FULL LENGTH OF STEEL, (1) 1" FROM EA. END
TYPE O - JAMB - 3" DIAMETER POWERS WEDGE BOLT + W/ 3" MIN. EDGE DIST. & 2 1/2" MIN. EMBED - (2) 1" FROM JAMB, 3" APART
TYPE P - VERT - 3" DIAMETER POWERS WEDGE BOLT + W/ 3" MIN. EDGE DIST. & 2 1/2" MIN. EMBED - (2) TOTAL, (1) EA. SIDE - 1" FROM MULLION
TYPE Q - U CLIP - 3/8" DIAMETER POWERS WEDGE BOLT + W/ 2 1/2" MIN. EDGE DIST. & 2 1/2" MIN. EMBED - (2) TOTAL, CENTERED IN U CLIP, 3" APART
TYPE R - JAMB & DOOR JAMB - 3" DIAMETER POWERS WEDGE BOLT + W/ 2 1/2" MIN. EDGE DIST. & 2 1/2" MIN. EMBED - (1) 1" FROM JAMB
TYPE S - VERT - 3" DIAMETER POWERS WEDGE BOLT + W/ 2 1/2" MIN. EDGE DIST. & 2 1/2" MIN. EMBED - (1) 1" FROM JAMB
TYPE T - TYP - 3" DIAMETER POWERS WEDGE BOLT + W/ 2 1/2" MIN. EDGE. & 2 1/2" MIN. EMBED - (1) 24" O.C.

NO.	REVISION/ISSUED	DATE
1	1ST SUBMITTAL	02/26/2017
2	REVISIONS	03/07/2017
3	PER ENGINEERING COMMENTS	03/27/2017

PROJECT NAME & LOCATION:
BROAD CREEK LIBRARY
1425 NORCHESTER AVE.
NORFOLK, VA

SHEET TITLE:
DETAILS

ARCHITECT:
 TMA

DRAWN BY:
 KS DRAFTING & DESIGN, LLC
 KYLE SCHNECK
 HARRISBURG, PA 17110
 KYLE@KSDRAFTINGDESIGNLLC.COM
 717-228-7114

DRAWN BY: KYLE SCHNECK
 CHECKED BY: KYLE SCHNECK

DATE: 03/27/2017
 SHEET: 405

3

4 NOT USED

FASTENER SCHEDULE		
TYPE A - JAMB - 1/4-14 ELCO DRILL-FLEX - (1) 1" FROM JAMB		
TYPE B - JAMB - 1/4-14 ELCO DRILL-FLEX - (2) 1" FROM JAMB, 1" APART		
TYPE C - JAMB - 1/4-14 ELCO DRILL-FLEX - (2) 1" FROM JAMB, 1" APART		
TYPE D - VERT & CORNER - 1/4-14 ELCO DRILL-FLEX - (2) TOTAL, (1) EA. SIDE, 1" FROM MULLION		
TYPE E - VERT & CORNER - 1/4-14 ELCO DRILL-FLEX - (4) TOTAL, (2) EA. SIDE, 1" FROM MULLION, 1" APART		
TYPE F - VERT - 1/4-14 ELCO DRILL-FLEX - (6) TOTAL, (2) EA. SIDE, 1" FROM MULLION, 1" APART		
TYPE G - TYP. - 1/4-14 ELCO DRILL-FLEX - (1) 24" O.C.		
TYPE H - SIDE DOOR JAMB - 1/4-14 ELCO DRILL-FLEX - (2) TOTAL - 3" ABOVE FINISHED FLOOR, 1" APART		
TYPE I - PLATE CONNECTION - 1/4-14 ELCO DRILL-FLEX - (2) TOTAL - 2" FROM EACH END OF PLATE		
TYPE J - DOOR VERTICAL - 1/4-14 ELCO DRILL-FLEX - (2) TOTAL - 2" FROM EACH END OF PLATE		
TYPE K - SIDE DOOR JAMB - 1/4-14 ELCO DRILL-FLEX - (4) TOTAL - 3" ABOVE FINISHED FLOOR, OTHERS EVENLY SPACED IN PLATE		
TYPE L - JAMB - 1/4-20 ELCO DRILL-FLEX - (2) 1" FROM JAMB, 1" APART		
TYPE M - VERT - 1/4-20 ELCO DRILL-FLEX - (2) TOTAL, (1) EA. SIDE - 1" FROM MULLION		
TYPE N - TYP. - 12-14 C.S. - (1) 12" O.C. FULL LENGTH OF STEEL, (1) 1" FROM EA. END		
TYPE O - JAMB - 3/8" DIAMETER POWERS WEDGE BOLT + W/ 3" MIN. EDGE DIST. & 2 1/2" MIN. EMBED - (2) 1" FROM JAMB, 3" APART		
TYPE P - VERT - 3/8" DIAMETER POWERS WEDGE BOLT + W/ 3" MIN. EDGE DIST. & 2 1/2" MIN. EMBED - (2) TOTAL, (1) EA. SIDE - 1" FROM MULLION		
TYPE Q - U CLIP - 3/8" DIAMETER POWERS WEDGE BOLT + W/ 2 1/2" MIN. EDGE DIST. & 2 1/2" MIN. EMBED - (2) TOTAL, CENTERED IN U CLIP, 3" APART		
TYPE R - JAMB & DOOR JAMB - 3/8" DIAMETER POWERS WEDGE BOLT + W/ 2 1/2" MIN. EDGE DIST. & 2 1/2" MIN. EMBED - (1) 1" FROM JAMB		
TYPE S - VERT - 3/8" DIAMETER POWERS WEDGE BOLT + W/ 2 1/2" MIN. EDGE DIST. & 2 1/2" MIN. EMBED - (1) CENTERED AT VERTICAL		
TYPE T - TYP. - 3/8" DIAMETER POWERS WEDGE BOLT + W/ 2 1/2" MIN. EDGE & 2 1/2" MIN. EMBED - (1) 24" O.C.		

NO.	REVISION/ISSUED	DATE
1	1ST SUBMITTAL	02/26/2017
2	REVISIONS	03/07/2017
3	PER ENGINEERING COMMENTS	03/27/2017

PROJECT NAME & LOCATION:
BROAD CREEK LIBRARY
1425 NORCHESTER AVE.
NORFOLK, VA

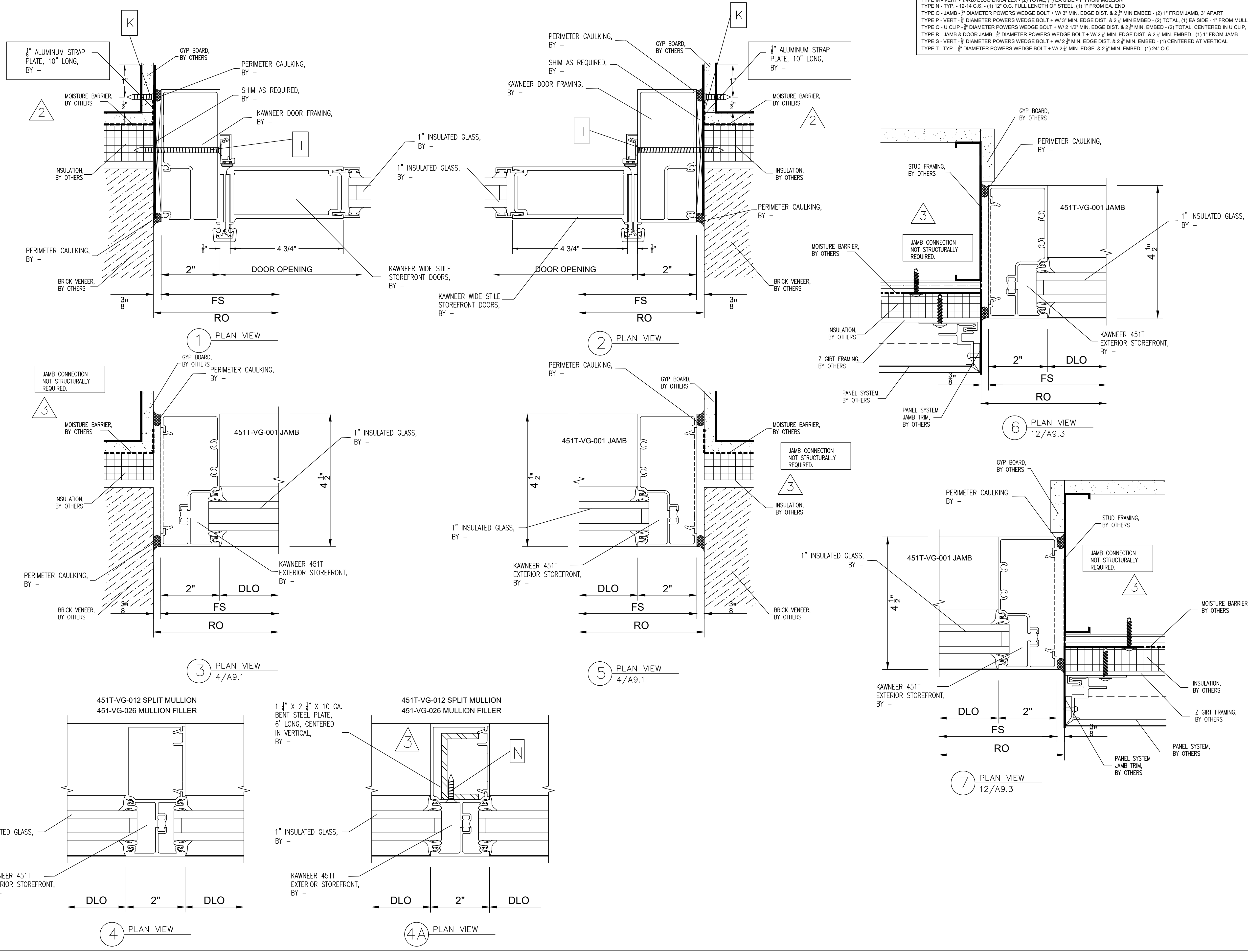
SHEET TITLE:
DETAILS

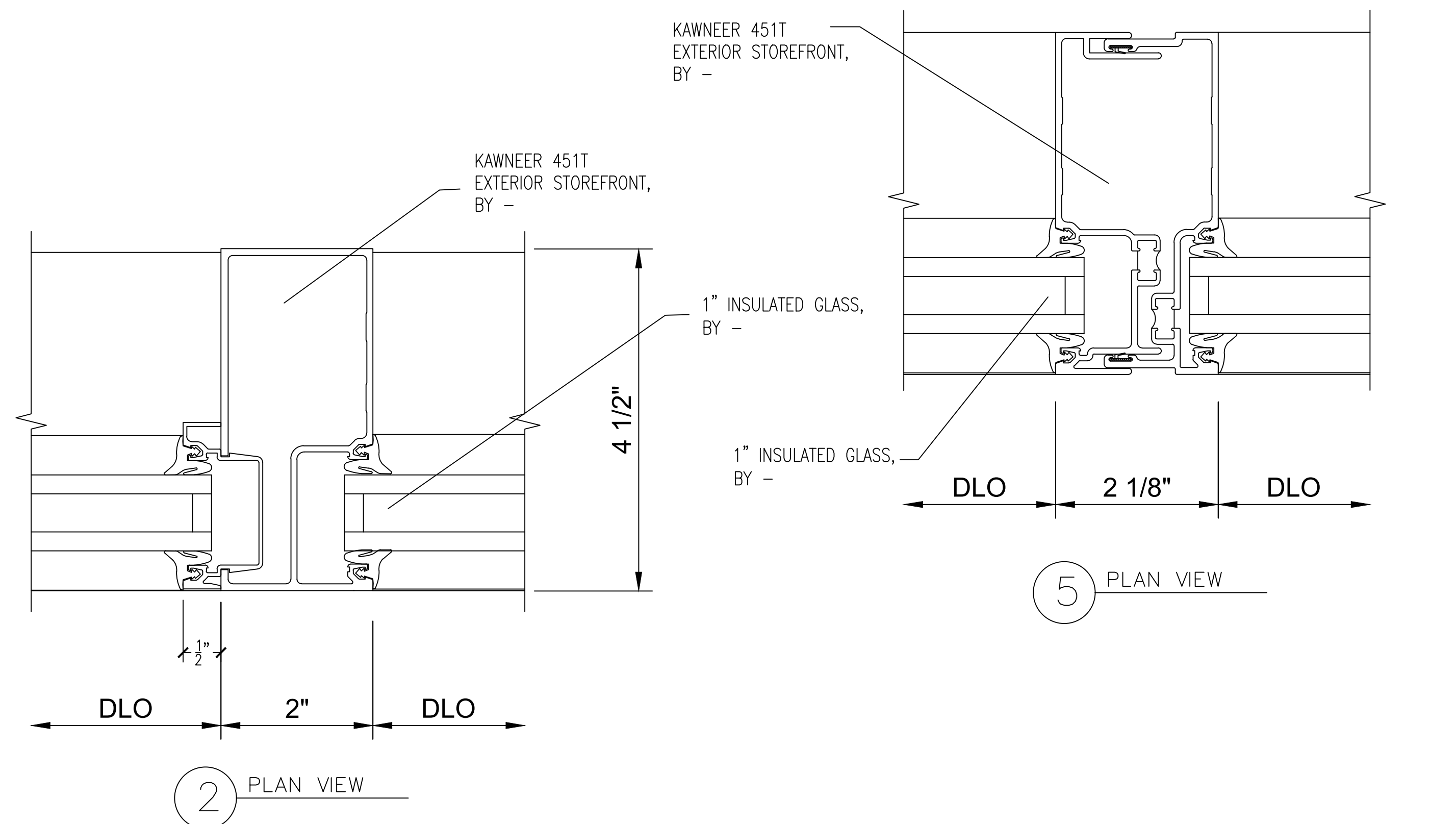
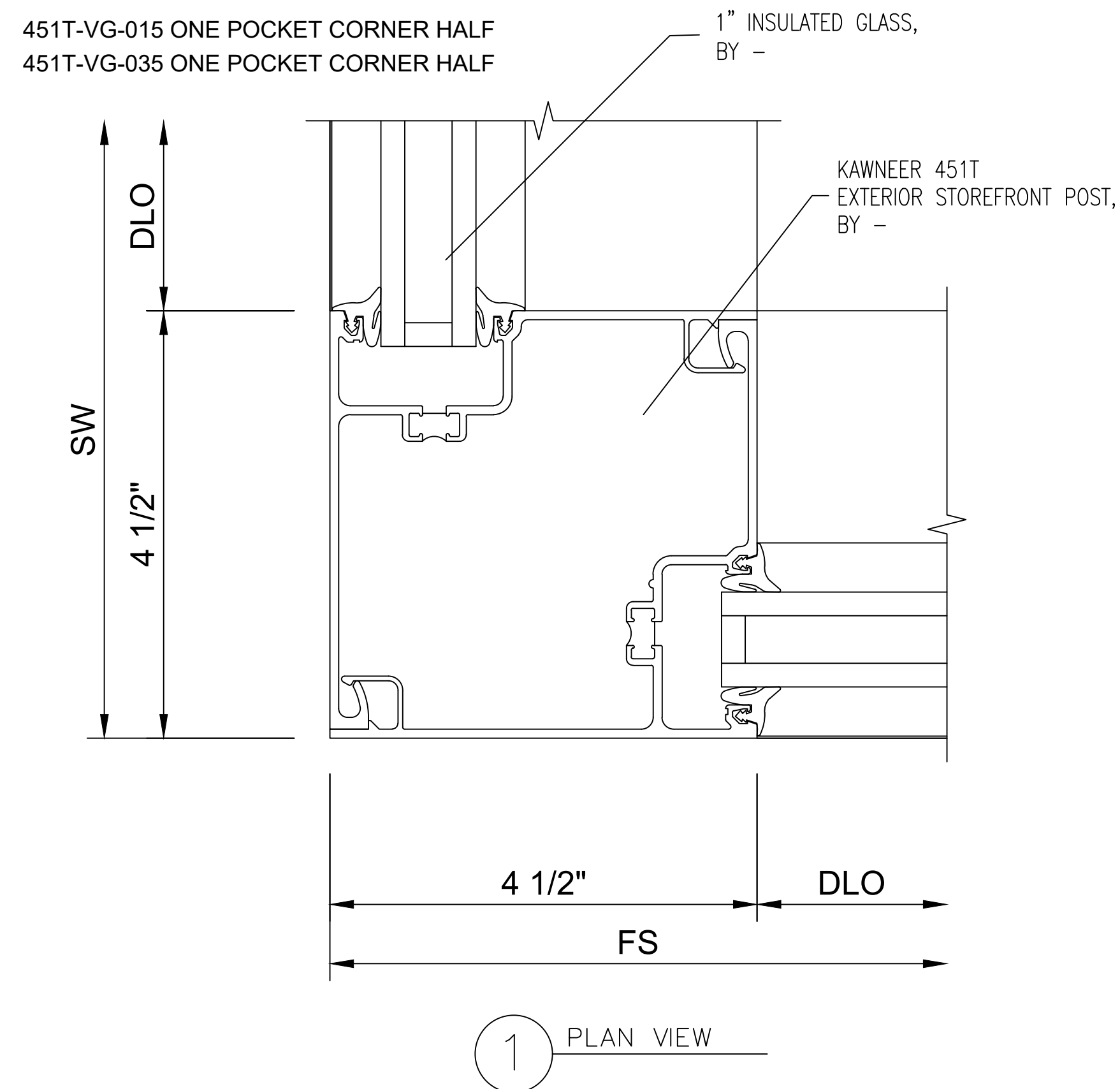
ARCHITECT:
 TMA

DRAWN BY:
 KS DRAFTING & DESIGN, LLC
 KYLE SCHNECK
 HARRISBURG, PA 17110
 KYLE@KSDRAFTINGDESIGNLLC.COM
 717-228-7114

DRAWN BY: KYLE SCHNECK
 CHECKED BY: KYLE SCHNECK

DATE: 03/27/2017
 SHEET: 406





3 NOT USED

3

4 NOT USED

3

FASTENER SCHEDULE	
TYPE A - JAMB	- 1/4-14 ELCO DRIL-FLEX - (1) 1" FROM JAMB
TYPE B - JAMB	- 1/4-14 ELCO DRIL-FLEX - (2) 1" FROM JAMB, 1" APART
TYPE C - JAMB	- 1/4-14 ELCO DRIL-FLEX - (3) 1" FROM JAMB, 1" APART
TYPE D - VERT & CORNER	- 1/4-14 ELCO DRIL-FLEX - (2) TOTAL, (1) EA. SIDE, 1" FROM MULLION
TYPE E - VERT & CORNER	- 1/4-14 ELCO DRIL-FLEX - (4) TOTAL, (2) EA. SIDE, 1" FROM MULLION, 1" APART
TYPE F - VERT	- 1/4-14 ELCO DRIL-FLEX - (6) TOTAL, (2) EA. SIDE, 1" FROM MULLION, 1" APART
TYPE G - TYP.	- 1/4-14 ELCO DRIL-FLEX - (1) 24" O.C.
TYPE H - SIDE DOOR JAMB	- 1/4-14 ELCO DRIL-FLEX - (2) TOTAL - 3" ABOVE FINISHED FLOOR, 1" APART
TYPE I - PLATE CONNECTION	- 1/4-14 ELCO DRIL-FLEX - (2) TOTAL - 2" FROM EACH END OF PLATE
TYPE J - DOOR VERTICAL	- 1/4-14 ELCO DRIL-FLEX - (2) TOTAL - 2" FROM EACH END OF PLATE
TYPE K - SIDE DOOR JAMB	- 1/4-14 ELCO DRIL-FLEX - (4) TOTAL - 3" ABOVE FINISHED FLOOR, OTHERS EVENLY SPACED IN PLATE
TYPE L - JAMB	- 1/4-20 ELCO DRIL-FLEX - (2) 1" FROM JAMB, 1" APART
TYPE M - VERT	- 1/4-20 ELCO DRIL-FLEX - (2) TOTAL, (1) EA. SIDE - 1" FROM MULLION
TYPE N - TYP.	- 12-14 C.S. - (1) 12" O.C. FULL LENGTH OF STEEL, (1) 1" FROM EA. END
TYPE O - JAMB	- 3/8" DIAMETER POWERS WEDGE BOLT + W/ 3" MIN. EDGE DIST. & 2 1/2" MIN. EMBED - (2) 1" FROM JAMB, 3" APART
TYPE P - VERT	- 3/8" DIAMETER POWERS WEDGE BOLT + W/ 3" MIN. EDGE DIST. & 2 1/2" MIN. EMBED - (2) TOTAL, (1) EA. SIDE - 1" FROM MULLION
TYPE Q - U CLIP	- 3/8" DIAMETER POWERS WEDGE BOLT + W/ 2 1/2" MIN. EDGE DIST. & 2 1/2" MIN. EMBED - (2) TOTAL, CENTERED IN U CLIP, 3" APART
TYPE R - JAMB & DOOR JAMB	- 3/8" DIAMETER POWERS WEDGE BOLT + W/ 2 1/2" MIN. EDGE DIST. & 2 1/2" MIN. EMBED - (1) 1" FROM JAMB
TYPE S - VERT	- 3/8" DIAMETER POWERS WEDGE BOLT + W/ 2 1/2" MIN. EDGE DIST. & 2 1/2" MIN. EMBED - (1) CENTERED AT VERTICAL
TYPE T - TYP.	- 3/8" DIAMETER POWERS WEDGE BOLT + W/ 2 1/2" MIN. EDGE. & 2 1/2" MIN. EMBED - (1) 24" O.C.

NO.	REVISION/ISSUED	DATE
1	1ST SUBMITTAL	02/26/2017
3	PER ENGINEERING COMMENTS	03/27/2017

PROJECT NAME & LOCATION:
BROAD CREEK LIBRARY
1425 NORCHESTER AVE.
NORFOLK, VA

SHEET TITLE:
DETAILS

ARCHITECT:
TMA

DRAWN BY:

KS DRAFTING & DESIGN, LLC
KYLE SCHNECK
HARRISBURG, PA 17110
KYLE@KSDRAFTINGDESIGNLLC.COM
717-228-7114

DRAWN BY: KYLE SCHNECK
CHECKED BY: KYLE SCHNECK

DATE: 03/27/2017
SHEET: 407

NO.	REVISION/ISSUED	DATE
1	1ST SUBMITTAL	02/26/2017
3	PER ENGINEERING COMMENTS	03/27/2017

PROJECT NAME & LOCATION:
BROAD CREEK LIBRARY
1425 NORCHESTER AVE.
NORFOLK, VA

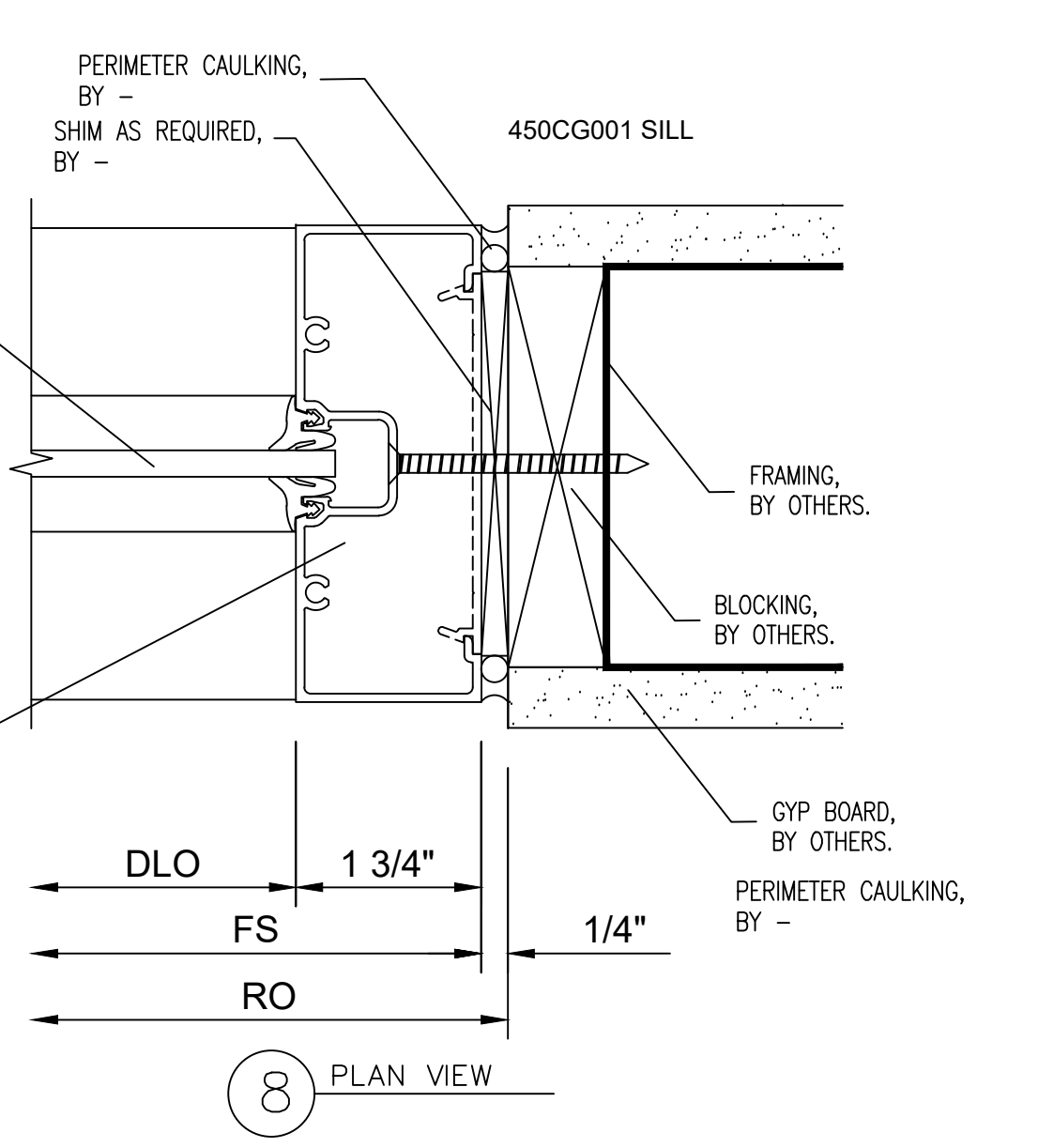
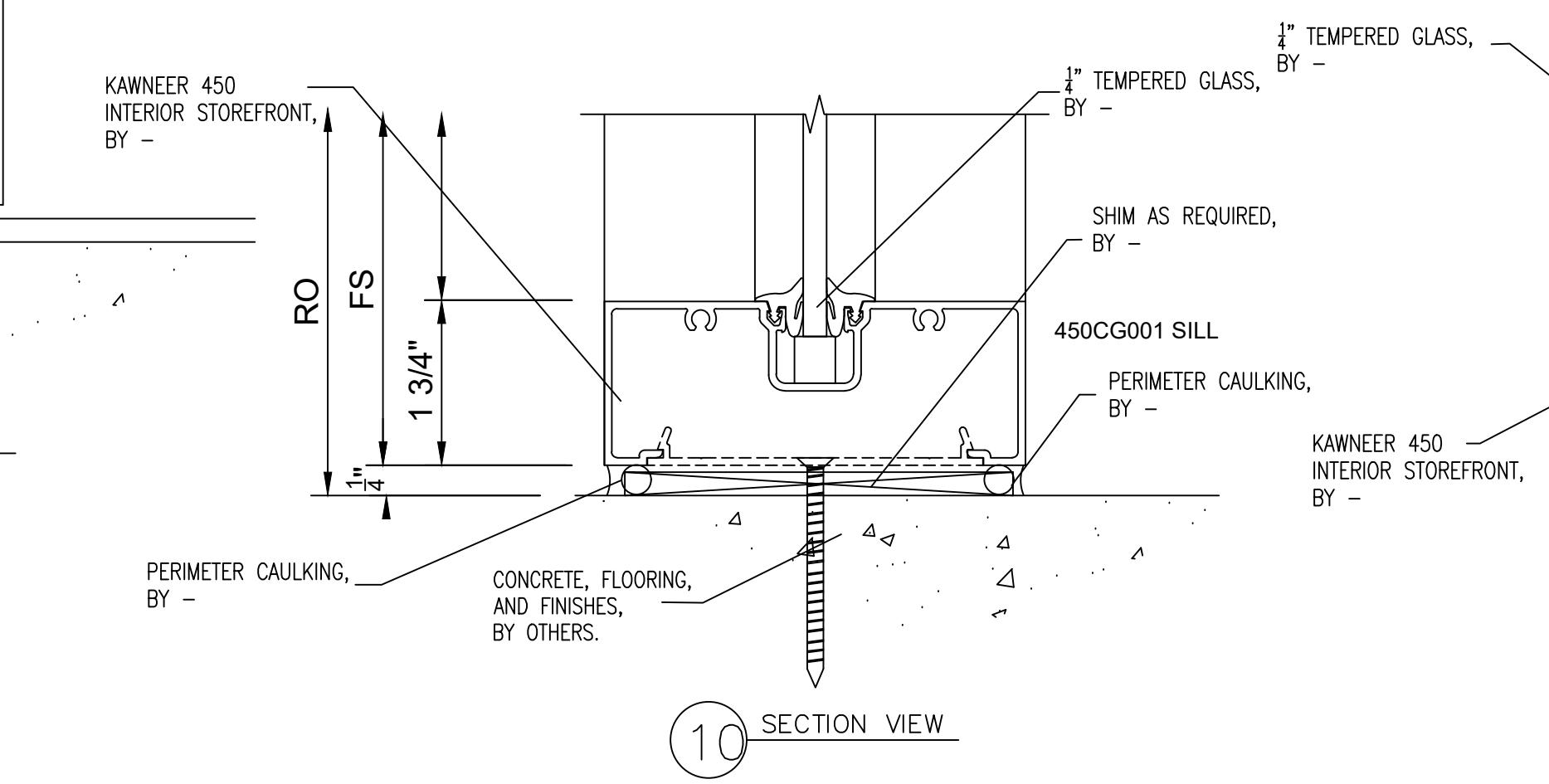
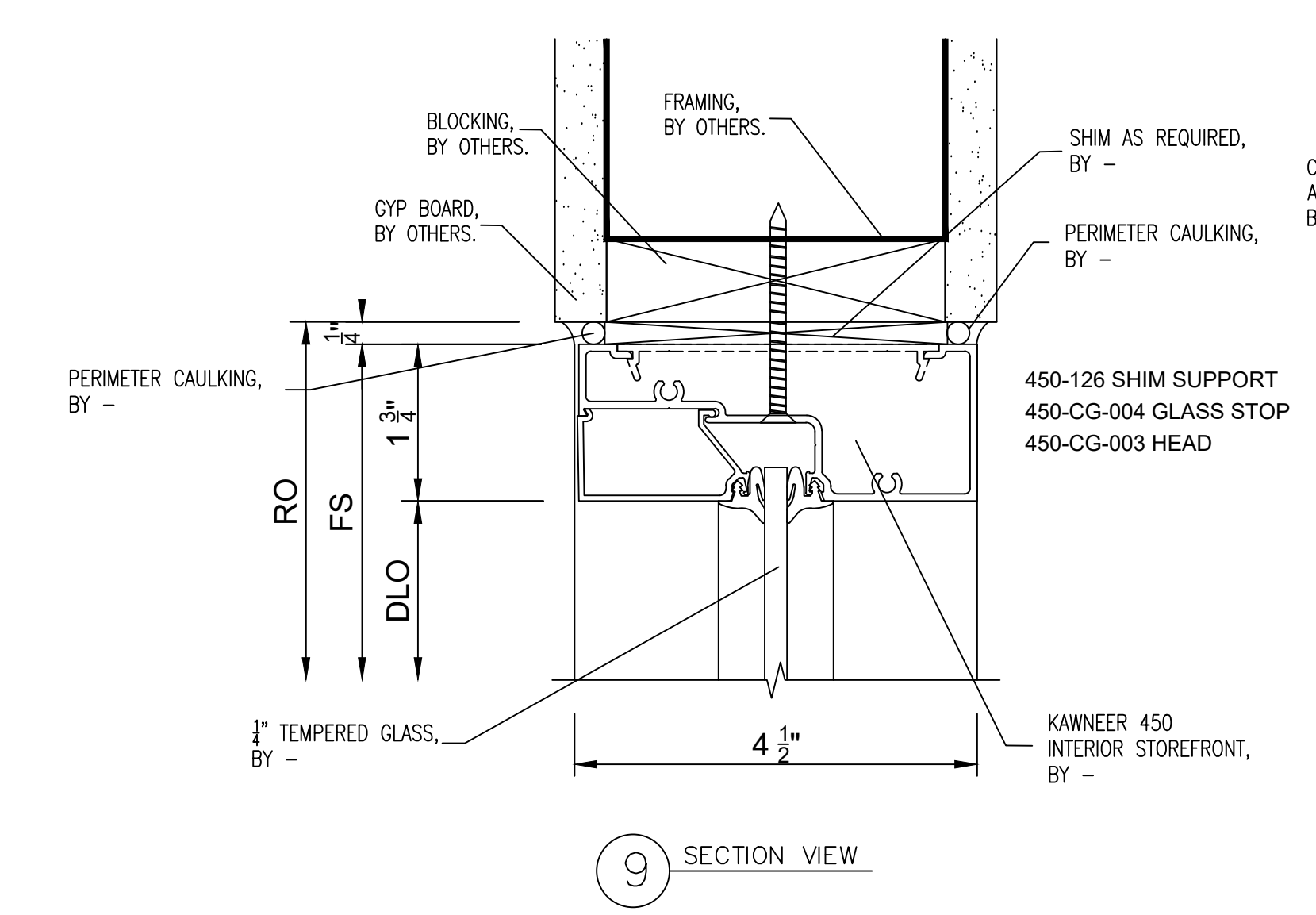
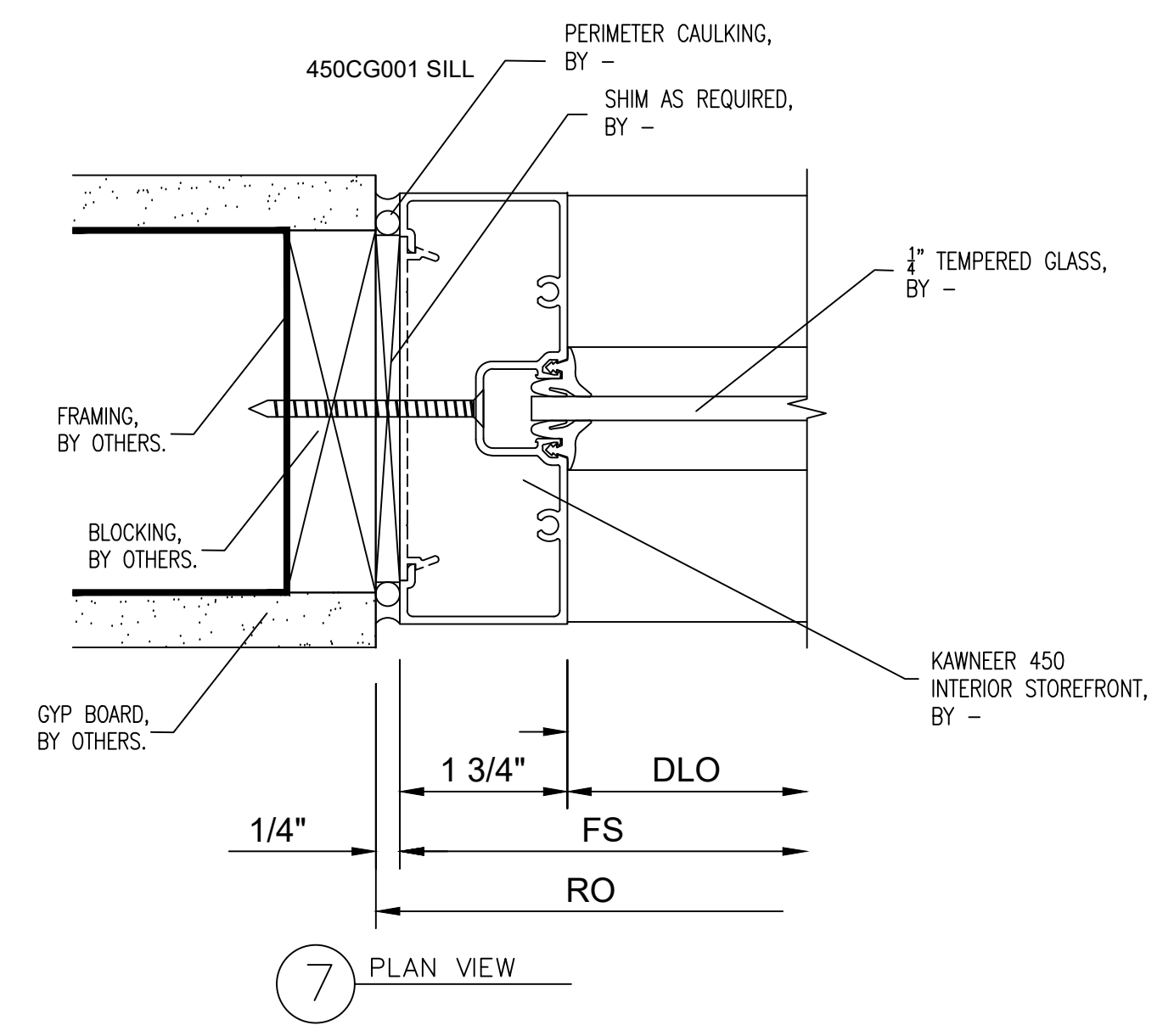
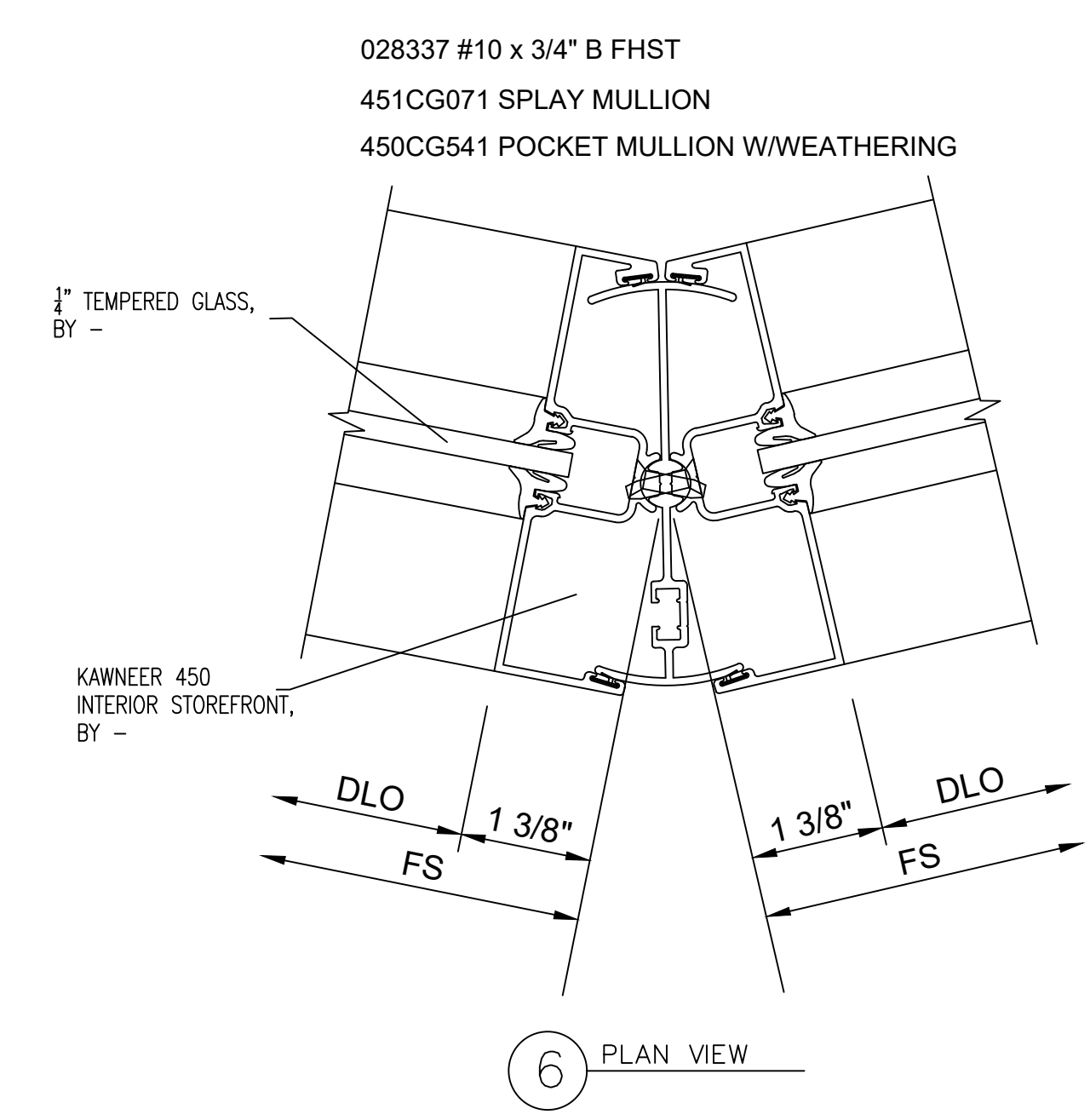
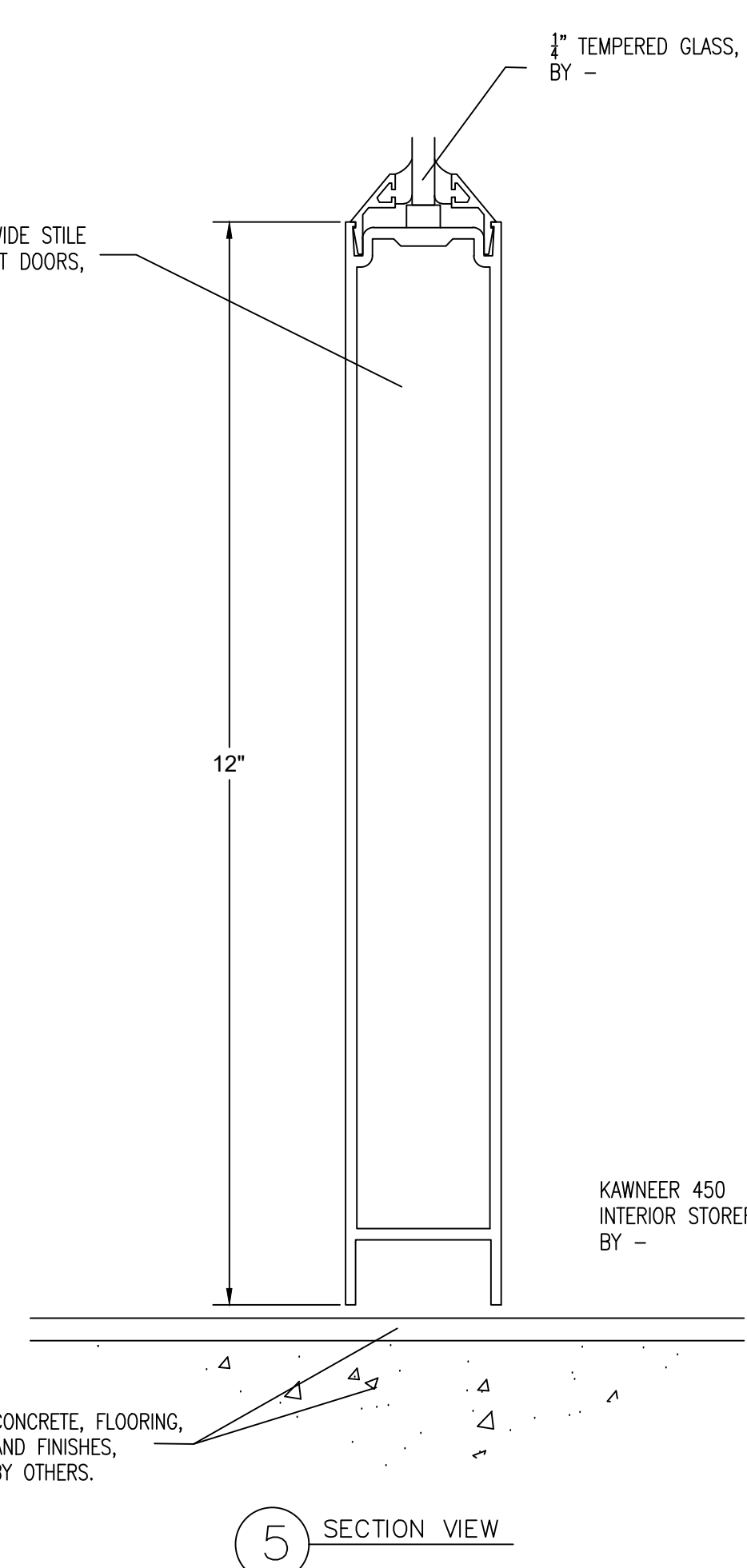
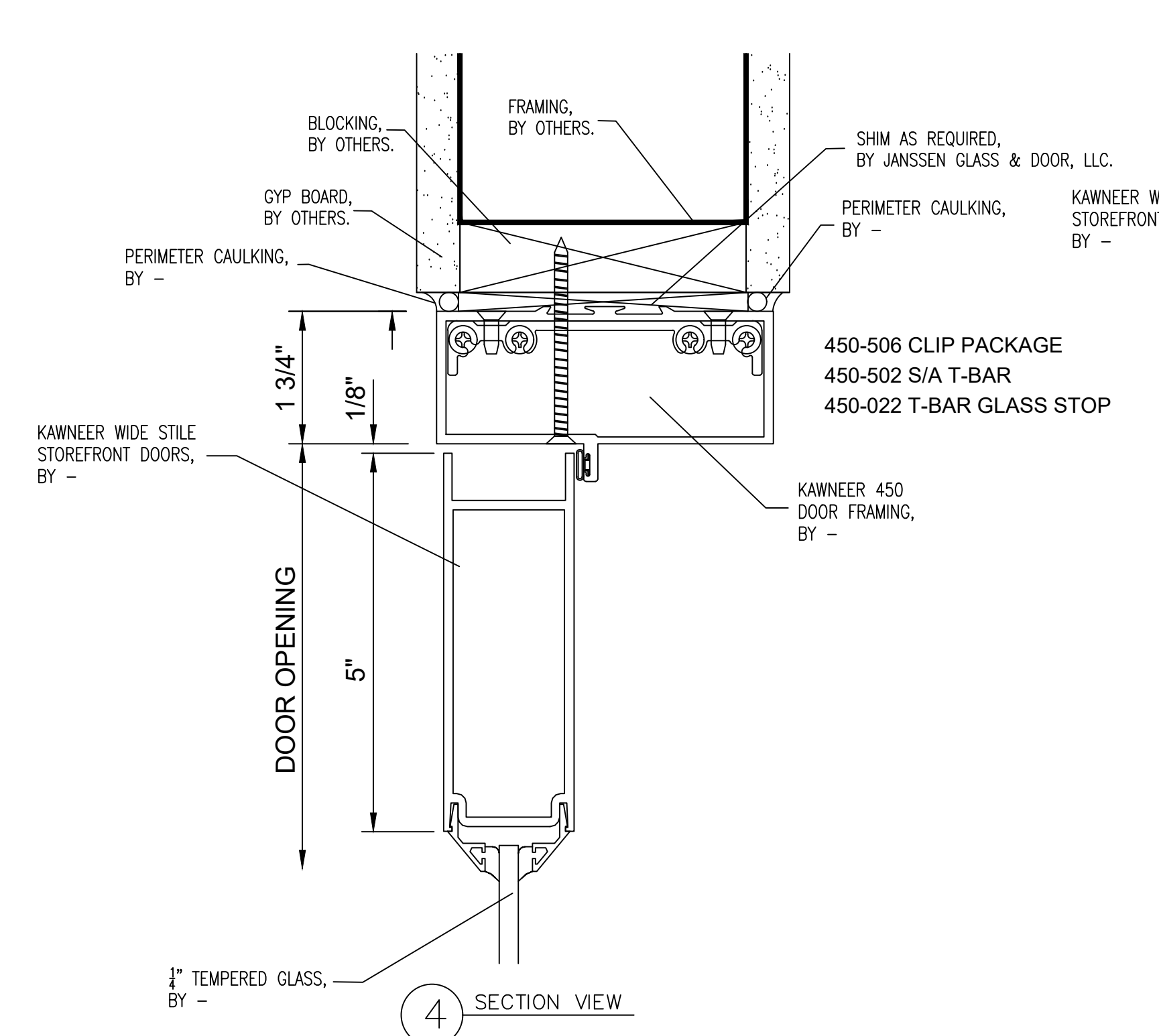
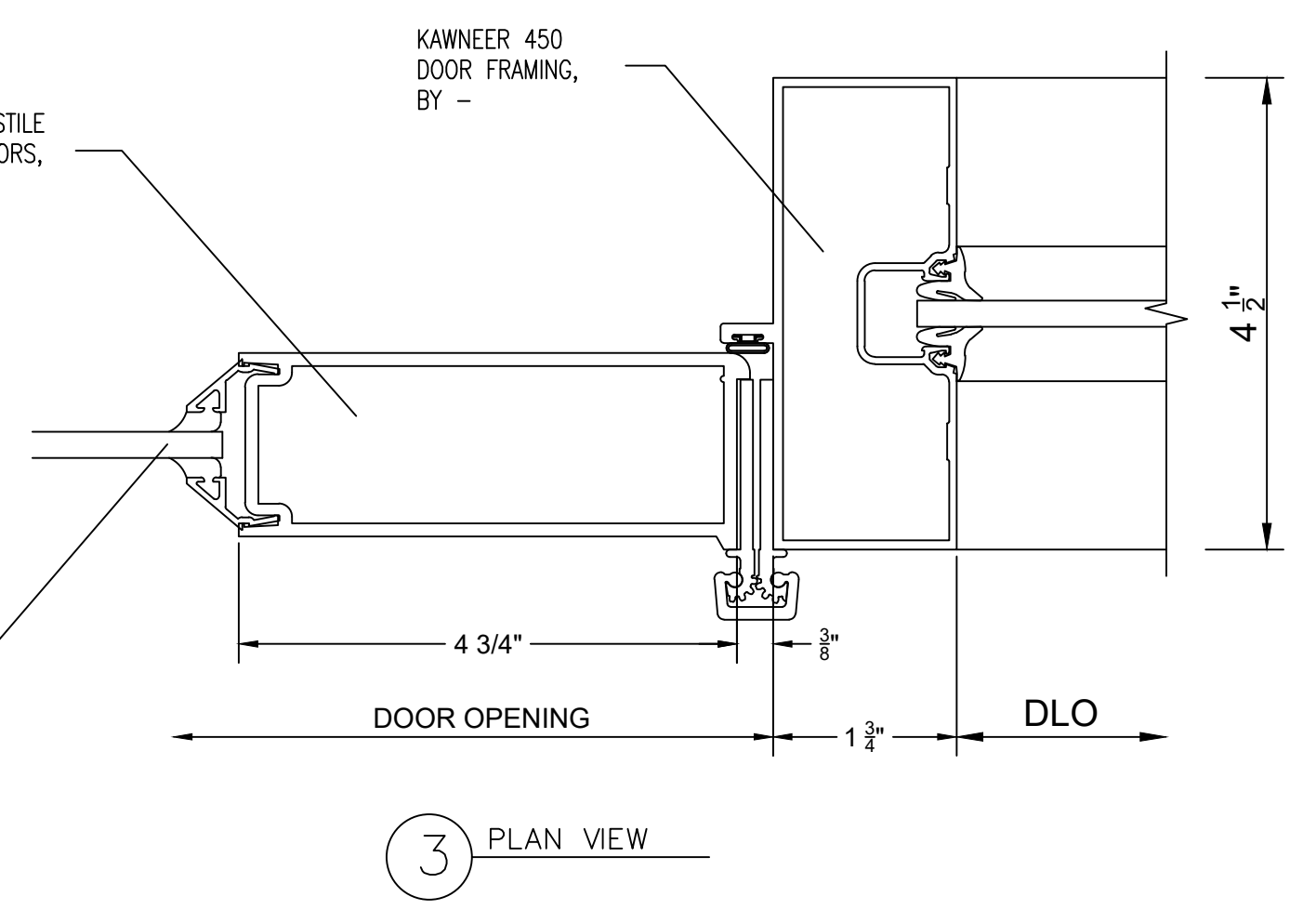
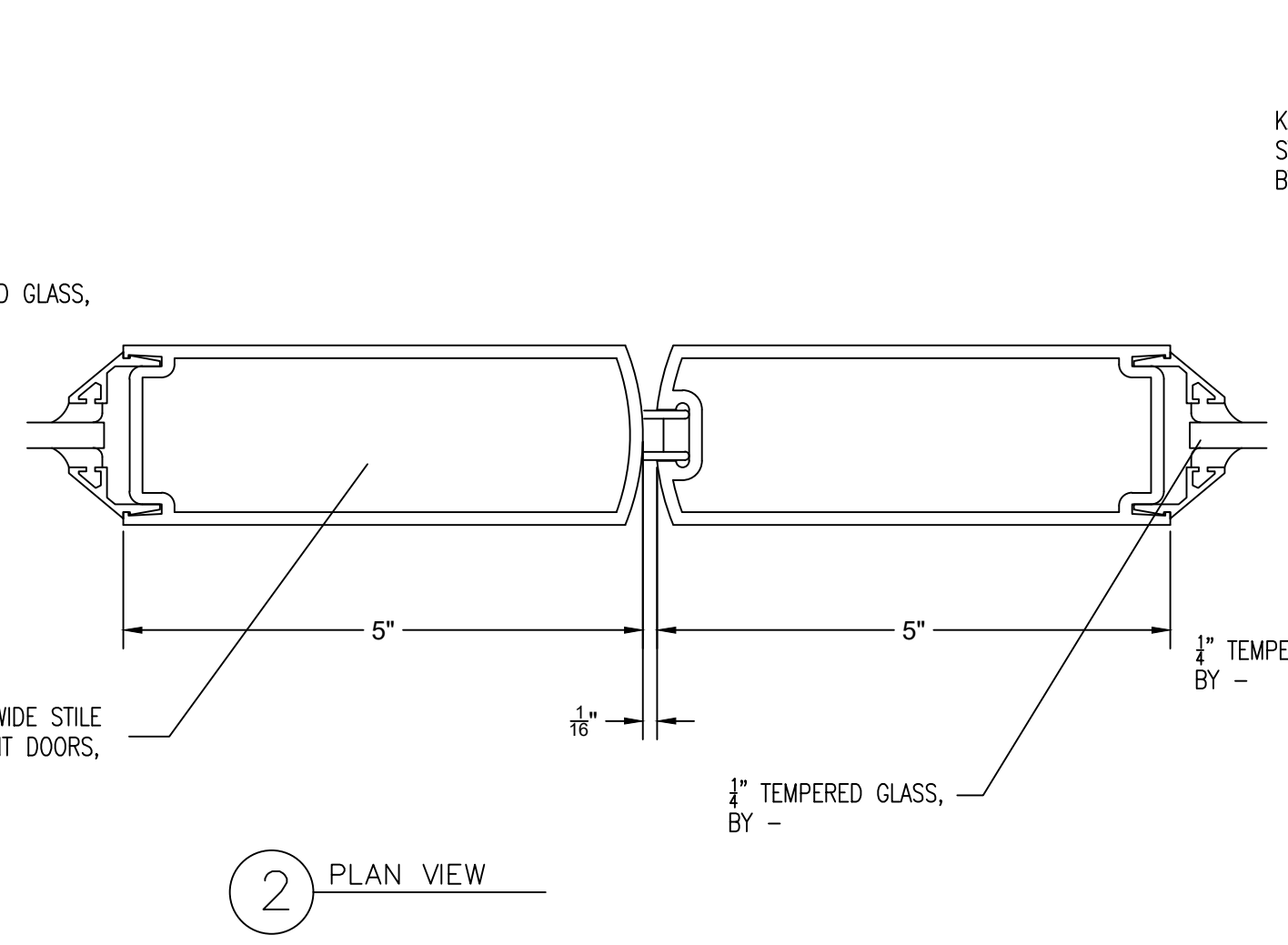
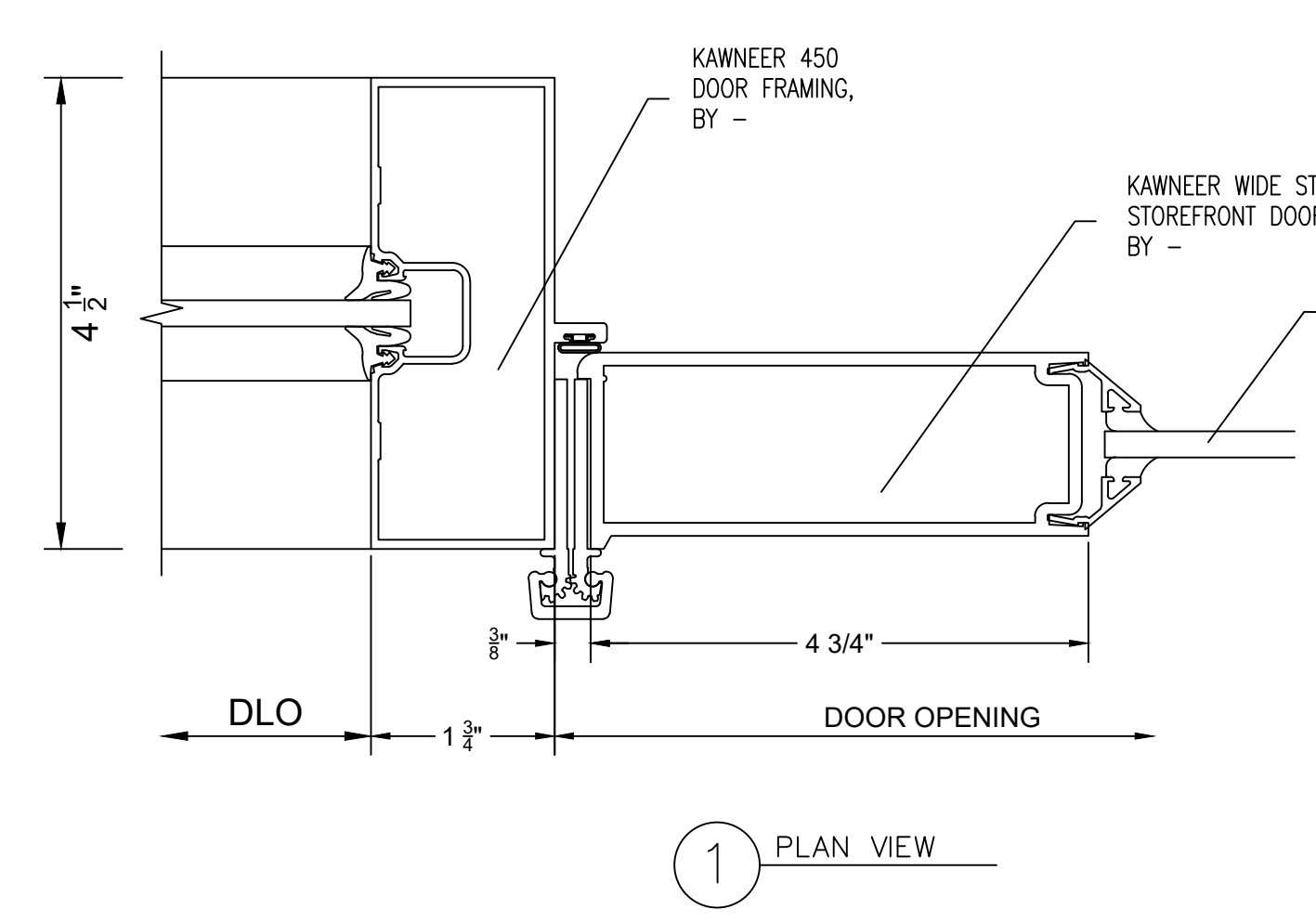
SHEET TITLE:
DETAILS

ARCHITECT:
 TMA

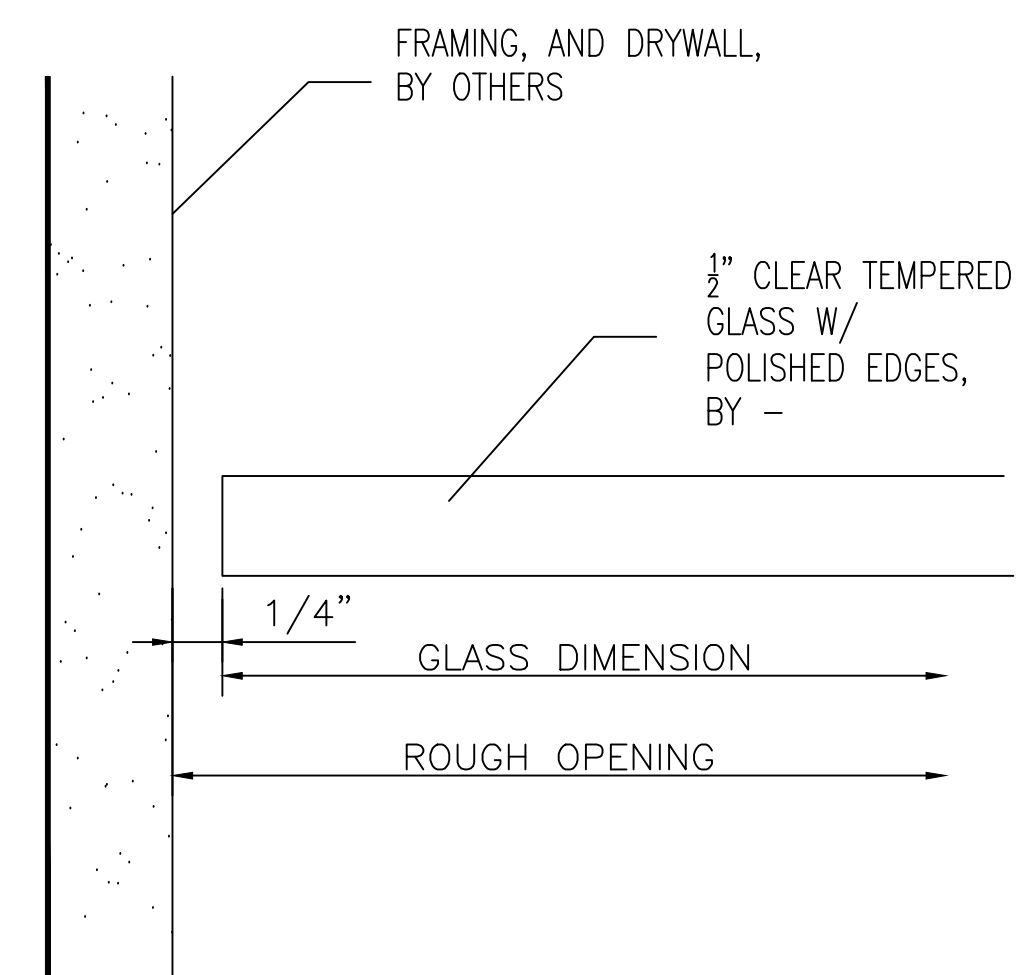
DRAWN BY:
 KS DRAFTING & DESIGN, LLC
 KYLE SCHNECK
 HARRISBURG, PA 17110
 KYLE@KSDRAFTINGDESIGNLLC.COM
 717-228-7114

DRAWN BY: KYLE SCHNECK
 CHECKED BY: KYLE SCHNECK

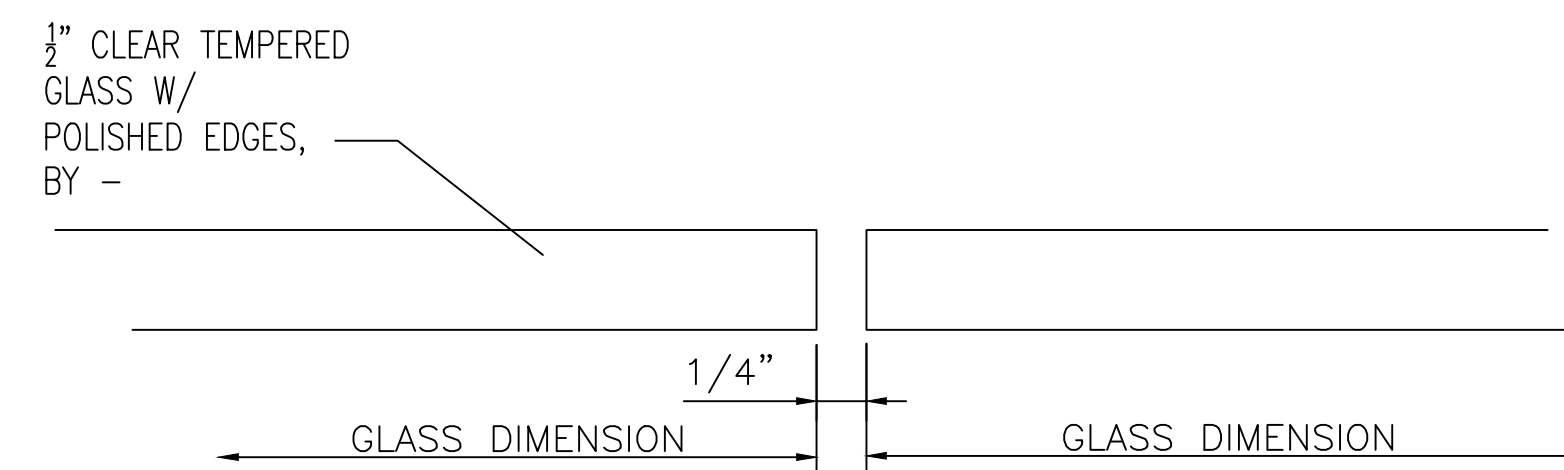
DATE: 03/27/2017
 SHEET: 408



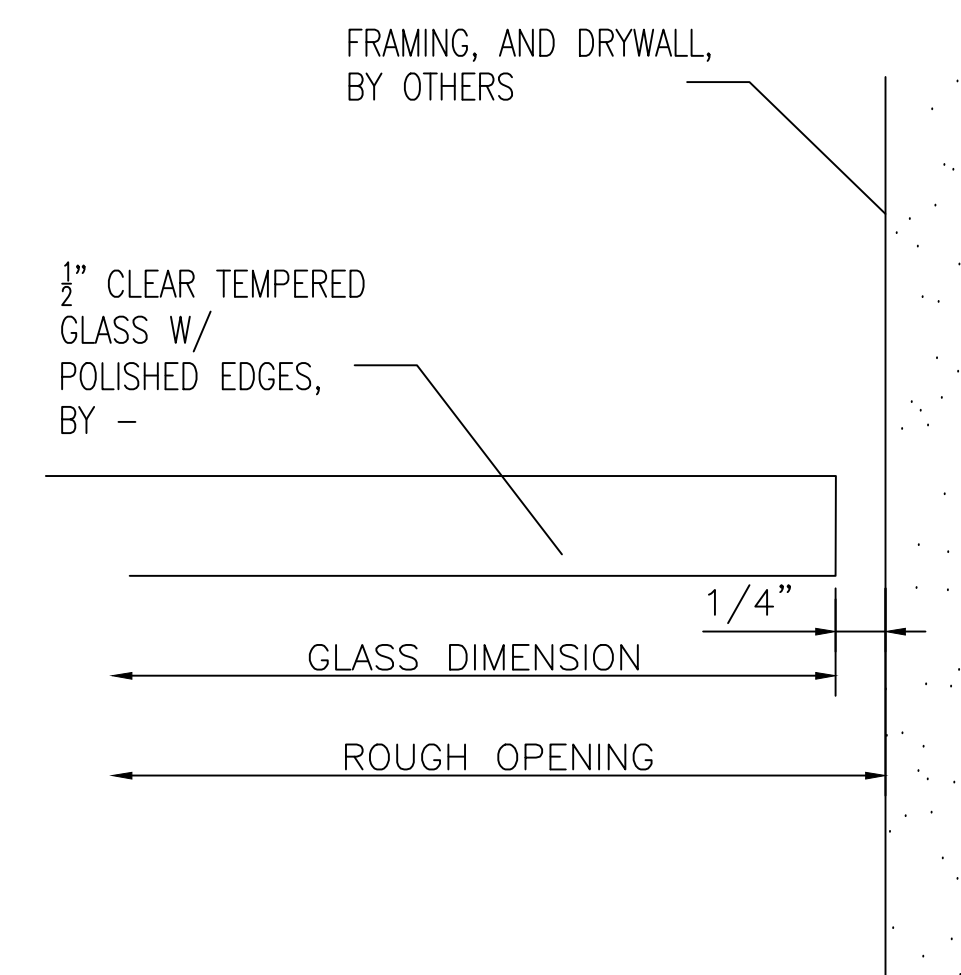
NO.	REVISION/ISSUED	DATE
1	1ST SUBMITTAL	02/26/2017
2	REVISIONS	03/07/2017



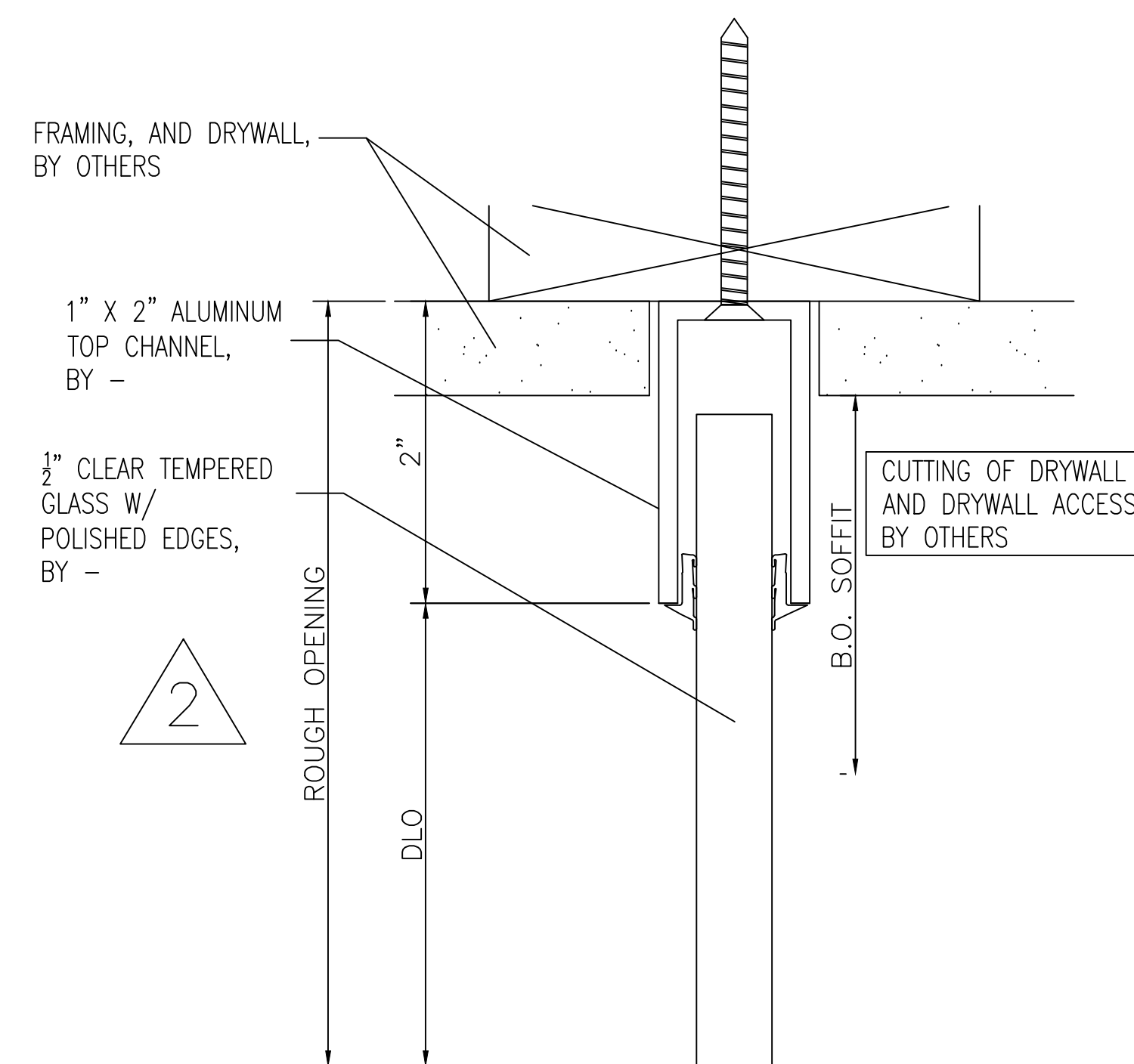
1 PLAN CUT



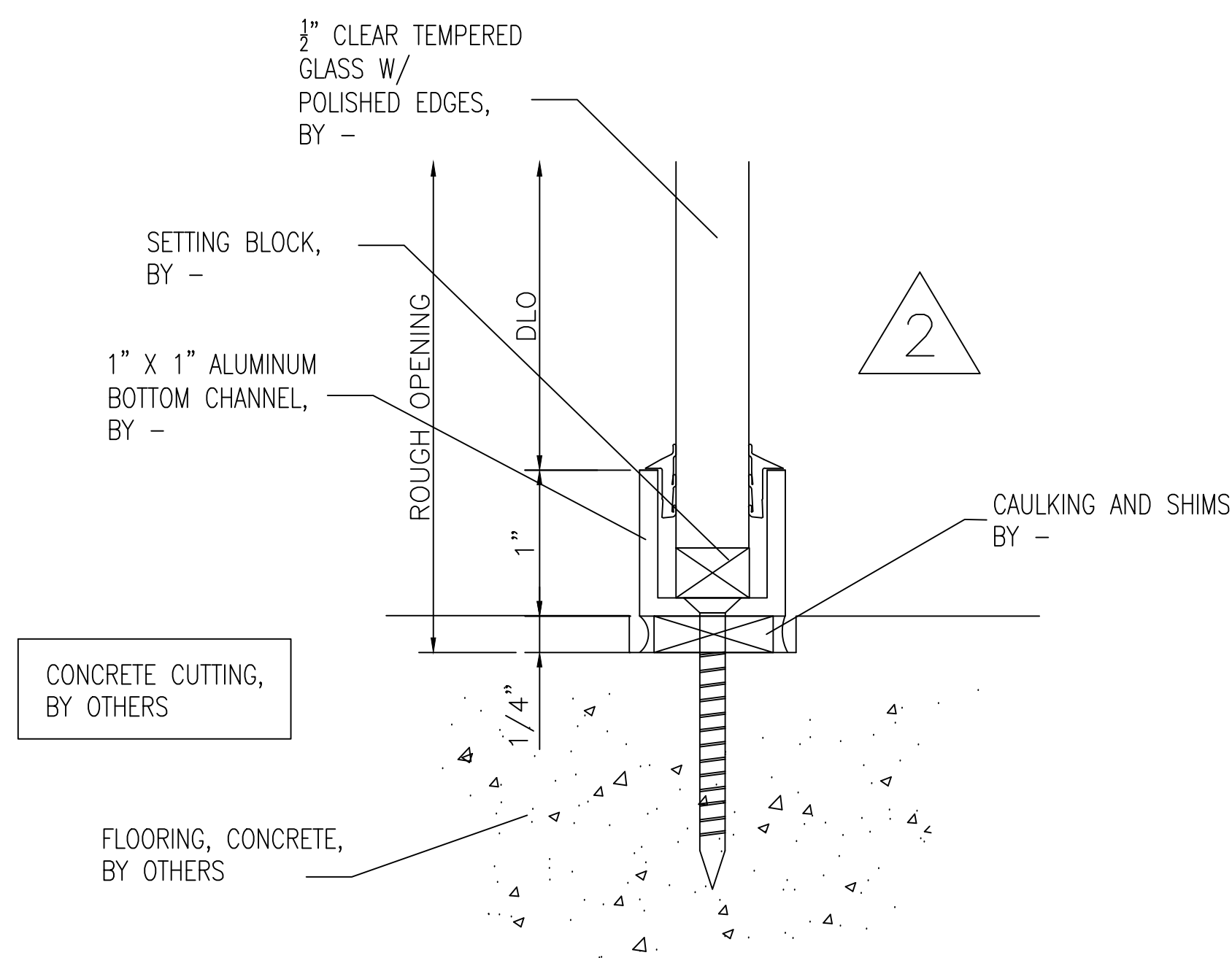
2 PLAN CUT



3 PLAN CUT



4 SECTION CUT



5 SECTION CUT

PROJECT NAME & LOCATION:

BROAD CREEK LIBRARY
1425 NORCHESTER AVE.
NORFOLK, VA

SHEET TITLE:

DETAILS

ARCHITECT:

TMA

DRAWN BY:

KS DRAFTING & DESIGN, LLC
KYLE SCHNECK
HARRISBURG, PA 17110
KYLE@KSDRAFTINGDESIGNLLC.COM
717-228-7114

DRAWN BY:

KYLE SCHNECK

CHECKED BY:

KYLE SCHNECK

DATE:

03/07/2017

SHEET:

409