

DOOR INFORMATION	
DOOR #	HARDWARE PACKAGE
132A	BUTT HINGES MS LOCK W/ THUMBTURN ON INTERIOR SIDE STANDARD OVERHEAD SURFACE MOUNTED DOOR CLOSER STANDARD THRESHOLD STANDARD PUSH/ PULLS BOTTOM DOOR SWEEP
TYPE B: 117A	HARDWARE SET #8: TOP/ BOTTOM RAILS (DR2SSA12S) 1 3/4" X 4" DOOR HEADER (DCH4SAS) CLOSER (JACKSON 20104M20 W/ 90° HOLD OPEN OVERHEAD CONCEALED DOOR CLOSER) TOP CLOSER INSERT (INT 704) PUSH/PULL HANDLE SET (36" LPBS US32D) BOTTOM PIVOT INSERT (INT 701) BOTTOM PIVOT (INT 403) MAGLOCK (DYNALOCK 2282)
TYPE A: 124 212 321 125 213 322 129 217 324 130 220 325 135 224 326 136 225 330 137 226 333 138 227 334 139 306 338 153 308 340 154 310 341 208 315 342 209 316 210 317 211 318	HARDWARE SET #9: TOP/ BOTTOM RAILS (DR2SSA12S) 1 3/4" X 4" DOOR HEADER (DCH4SAS) CLOSER (JACKSON 20104M20 W/ 90° HOLD OPEN TOP CLOSER INSERT (INT 704) PUSH/PULL HANDLE SET (36" LPBS US32D) BOTTOM PIVOT INSERT (INT 701) BOTTOM PIVOT (INT 403)

MATERIALS
KAWNEER 451T EXTERIOR STOREFRONT FRAMING, CENTER SET, OUTSIDE GLAZED, 2" X 4 1/2" THERMAL FRAMING.
KAWNEER NARROW STILE DOORS.
ALL FINISHES TO BE: CLEAR ANODIZED
CR LAURENCE U CHANNEL #UCSA3812240
ALL FINISHES TO BE: SATIN ANODIZED

GLASS INFORMATION	
MARK	GLASS DESCRIPTION
①	1" INSULATED: 1/4" CLEAR, LOW E #2 SURFACE, TEMPERED GLASS 1/2" AIR SPACER 1/4" CLEAR, TEMPERED GLASS
②	1" INSULATED: 1/4" CLEAR, LOW E #2 SURFACE, ANNEALED GLASS 1/2" AIR SPACER 1/4" CLEAR, ANNEALED GLASS
③	1/2" CLEAR TEMPERED, POLISHED EDGES

INFORMATION AVAILABLE TO PREPARE DRAWINGS

12/02/2016 – ARCHITECTURAL DRAWINGS
EMAILED NOTES – SCOPE OF WORK SHEET

GENERAL NOTES

1.) LIMITATIONS: THESE DRAWINGS REPRESENT AN INTERPRETATION OF ARCHITECTURAL INFORMATION MADE AVAILABLE TO KS DRAFTING & DESIGN, LLC. KS DRAFTING & DESIGN, LLC. MAKES NO REPRESENTATION OR WARRANTY TO THE PERFORMANCE OR COMPLETENESS OF THE ARCHITECTURAL DETAILS OF THE SURROUNDING AREAS.

2.) CONFIRMATION: ANY LISTED TOLERANCES, DIMENSIONS, DEFLECTION, ANCHORAGE, REFERENCES, AND FUNCTIONAL PERFORMANCE REQUIREMENTS SHALL BE CONFIRMED WITH THE ARCHITECT, AND VALIDATED BY FIELD MEASUREMENTS TO ENSURE SIZING, PERFORMANCE COMPLIANCE, AND ARCHITECTURAL INTENT.

3.) ACCEPTANCE: FINAL APPROVAL OF THESE DRAWINGS CONSTITUTES ACCEPTANCE OF ALL DEVIATIONS, IF ANY, AND ALL WORK CONTAINED HEREIN.

4.) USE: KS DRAFTING & DESIGN, LLC. ASSUMES NO RESPONSIBILITY FOR THE USE OF THESE DRAWINGS BY OTHER TRADES.

5.) COMPLIANCE: ARCHITECT, ENGINEER, GENERAL CONTRACTOR, AND MISC. TRADES ARE RESPONSIBLE FOR THE SELECTION, INSTALLATION, AND ADJUSTMENT OF SYSTEMS TO ENSURE COMPLIANCE WITH ALL APPLICABLE DESIGN, ENERGY, RATING, BUILDING, AND/ OR SAFETY CODES.

6.) QUALITY OF CONSTRUCTION: ROUGH OPENINGS MAY NOT BE PLUMB, SQUARE, OR LEVEL. CONTRACTOR TO VERIFY EXISTING OPENINGS.

7.) RELEASE OF LIABILITY: THESE DRAWINGS HAVE BEEN PREPARED BY KS DRAFTING & DESIGN, LLC. FOR USE BY THE CUSTOMER. THE CUSTOMER AGREES TO ASSUME ALL LIABILITY AND ANY CLAIMS THAT MAY ARISE FROM THE USE OF, OR INFORMATION CONTAINED IN THESE DRAWINGS.

PROJECT TITLE:
ALLSTATE INSURANCE COMPANY

ADDRESS:
CENTER POINTE I
1130 ROUTE 22 EAST
BRIDGEWATER, NJ 08807

TABLE OF CONTENTS		
100 COVER SHEET	211 ELEVATIONS	223 ELEVATIONS
200 FLOOR PLAN	212 ELEVATIONS	400 DETAILS
201 FLOOR PLAN	213 ELEVATIONS	401 DETAILS
202 FLOOR PLAN	214 ELEVATIONS	402 DETAILS
203 ELEVATIONS	215 ELEVATIONS	
204 ELEVATIONS	216 ELEVATIONS	
205 ELEVATIONS	217 ELEVATIONS	
206 ELEVATIONS	218 ELEVATIONS	
207 ELEVATIONS	219 ELEVATIONS	
208 ELEVATIONS	220 ELEVATIONS	
209 ELEVATIONS	221 ELEVATIONS	
210 ELEVATIONS	222 ELEVATIONS	

NO.	REVISION/ISSUED	DATE
1	1ST SUBMITTAL	01/19/2017

PROJECT NAME & LOCATION:
ALLSTATE INSURANCE COMPANY
CENTER POINTE I
1130 ROUTE 22 EAST
BRIDGEWATER, NJ 08807

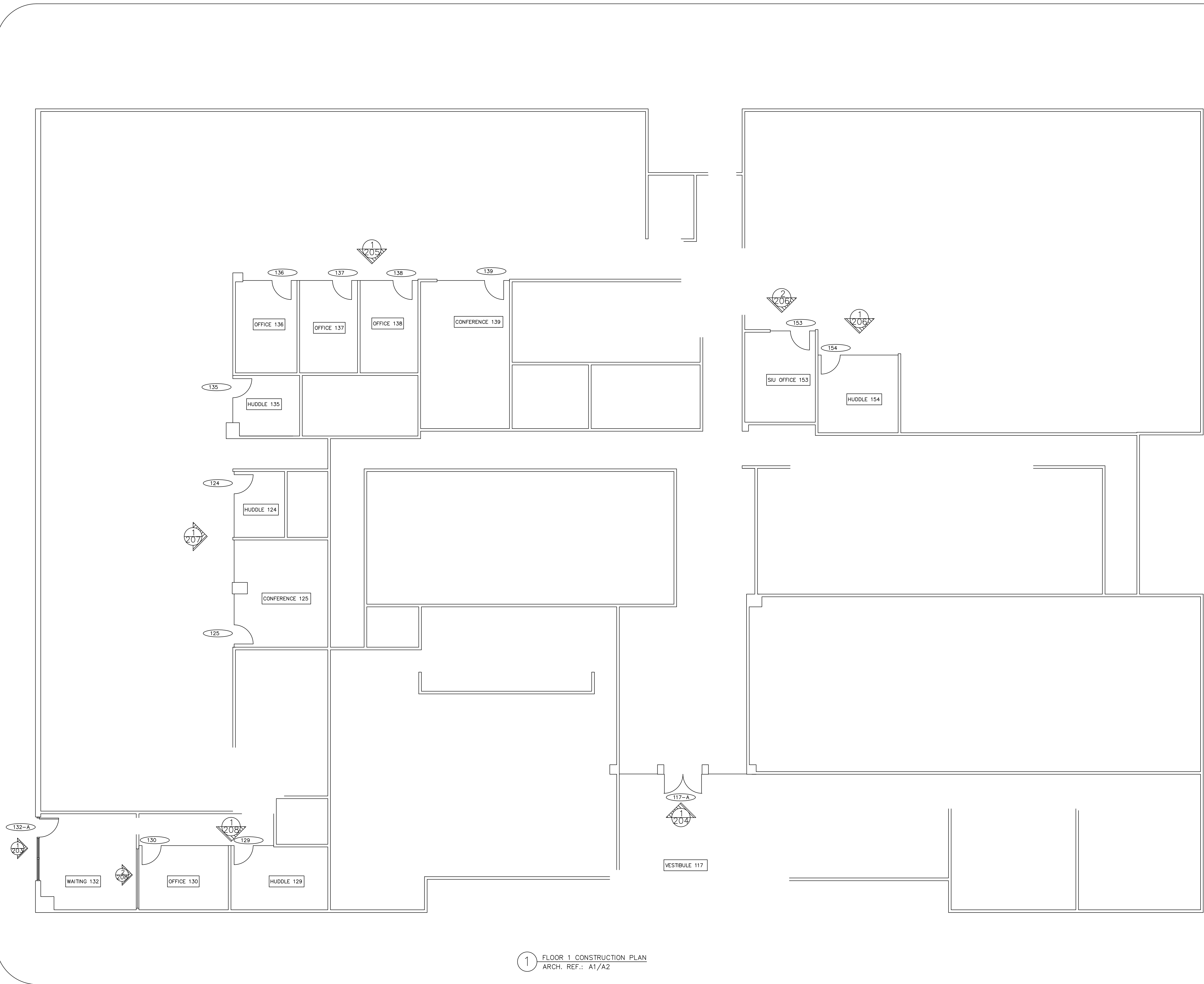
SHEET TITLE:
COVER SHEET

DRAFTSMAN:
KS DRAFTING & DESIGN, LLC.
KYLE SCHNECK
HARRISBURG, PA 17110
KYLE@KSDRAFTINGDESIGNLLC.COM
717-228-7114
KSDRAFTINGDESIGNLLC.COM

DRAWN BY: KYLE SCHNECK

DATE: 01/19/2017

SHEET: 100



NO.	REVISION/ISSUED	DATE
1	1ST SUBMITTAL	01/19/2017

PROJECT NAME & LOCATION:
ALLSTATE INSURANCE COMPANY
CENTER POINTE I
1130 ROUTE 22 EAST
BRIDGEWATER, NJ 08807

SHEET TITLE:
FLOOR PLAN

DRAFTSMAN:
 KS DRAFTING & DESIGN, LLC.
 KYLE SCHNECK
 HARRISBURG, PA 17110
 KYLE@KSDRAFTINGDESIGNLLC.COM
 717-228-7114
 KSDRAFTINGDESIGNLLC.COM

DRAWN BY: **KYLE SCHNECK**

DATE: **01/19/2017**

SHEET: **200**

1 FLOOR 1 CONSTRUCTION PLAN
 ARCH. REF.: A1/A2

NO.	REVISION/ISSUED	DATE
1	1ST SUBMITTAL	01/19/2017

PROJECT NAME & LOCATION:
 ALLSTATE INSURANCE COMPANY
 CENTER POINTE I
 1130 ROUTE 22 EAST
 BRIDGEWATER, NJ 08807

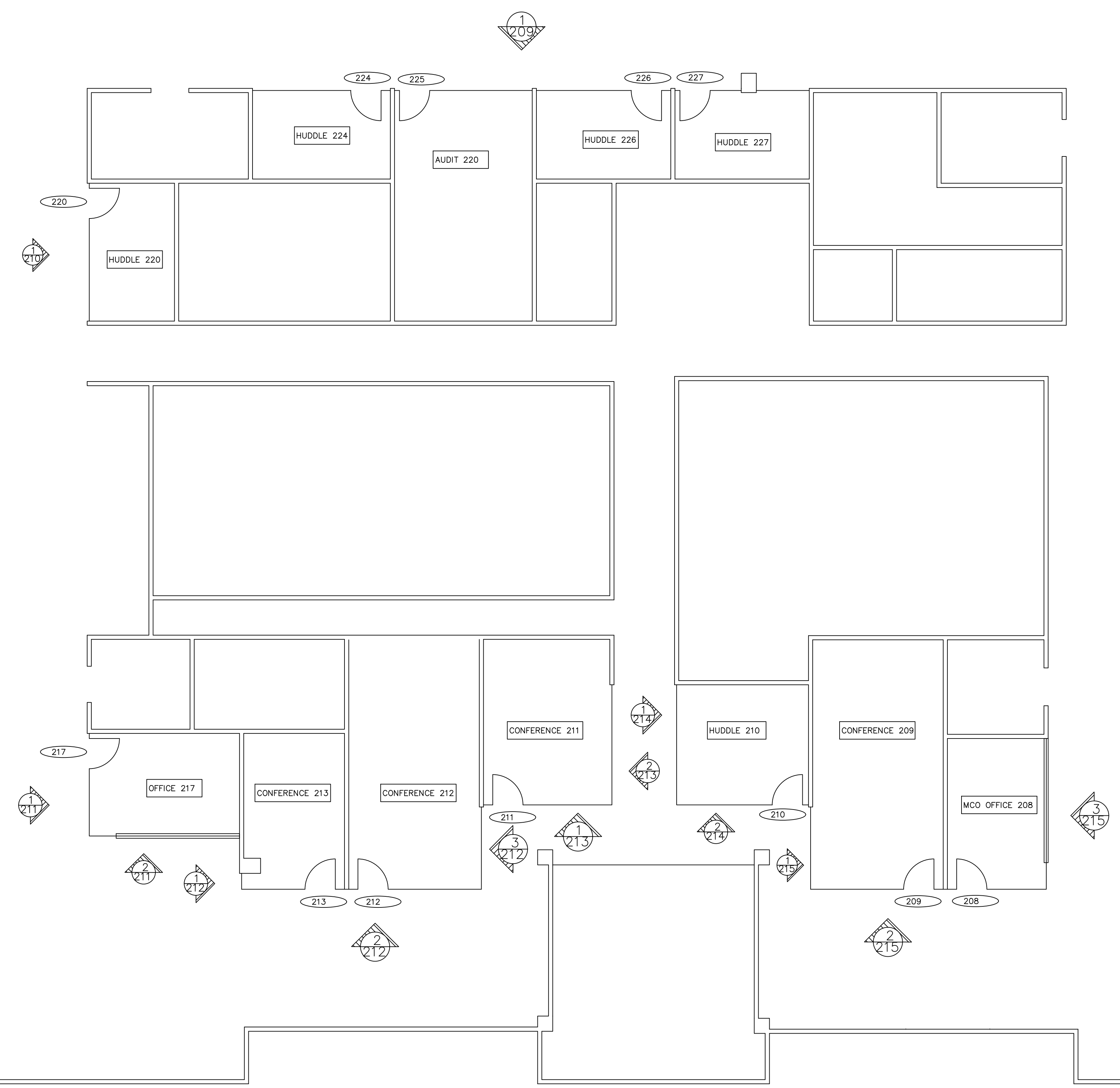
SHEET TITLE:
 FLOOR PLAN

DRAFTSMAN:
 KS DRAFTING & DESIGN, LLC.
 KYLE SCHNECK
 HARRISBURG, PA 17110
 KYLE@KSDRAFTINGDESIGNLLC.COM
 717-228-7114
 KSDRAFTINGDESIGNLLC.COM

DRAWN BY: KYLE SCHNECK

DATE: 01/19/2017

SHEET: 201



1 FLOOR 2 CONSTRUCTION PLAN
 ARCH. REF.: A1/A3

NO.	REVISION/ISSUED	DATE
1	1ST SUBMITTAL	01/19/2017

PROJECT NAME & LOCATION:
ALLSTATE INSURANCE COMPANY
CENTER POINTE I
1130 ROUTE 22 EAST
BRIDGEWATER, NJ 08807

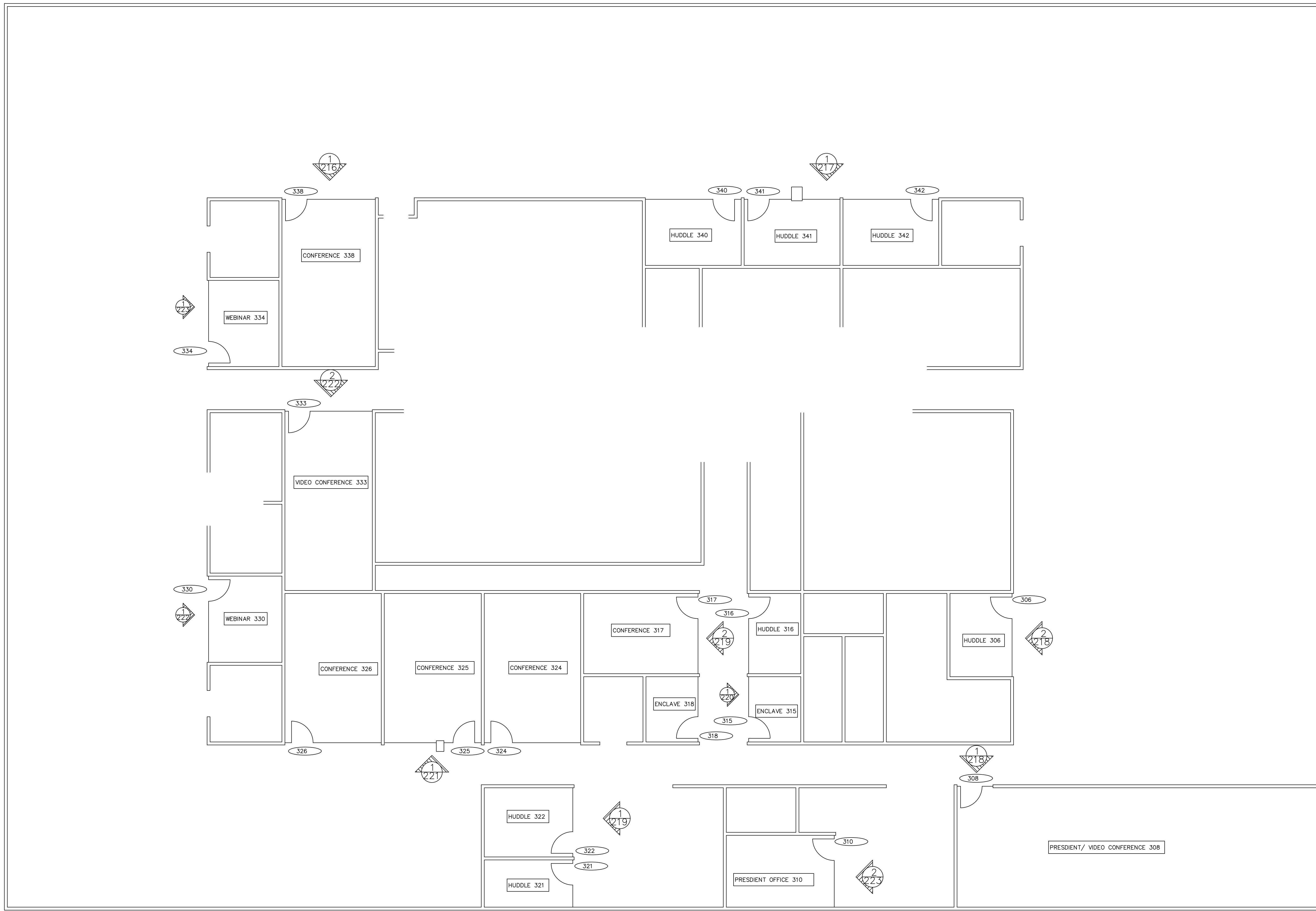
SHEET TITLE:
FLOOR PLAN

DRAFTSMAN:
 KS DRAFTING & DESIGN, LLC.
 KYLE SCHNECK
 HARRISBURG, PA 17110
 KYLE@KSDRAFTINGDESIGNLLC.COM
 717-228-7114
 KSDRAFTINGDESIGNLLC.COM

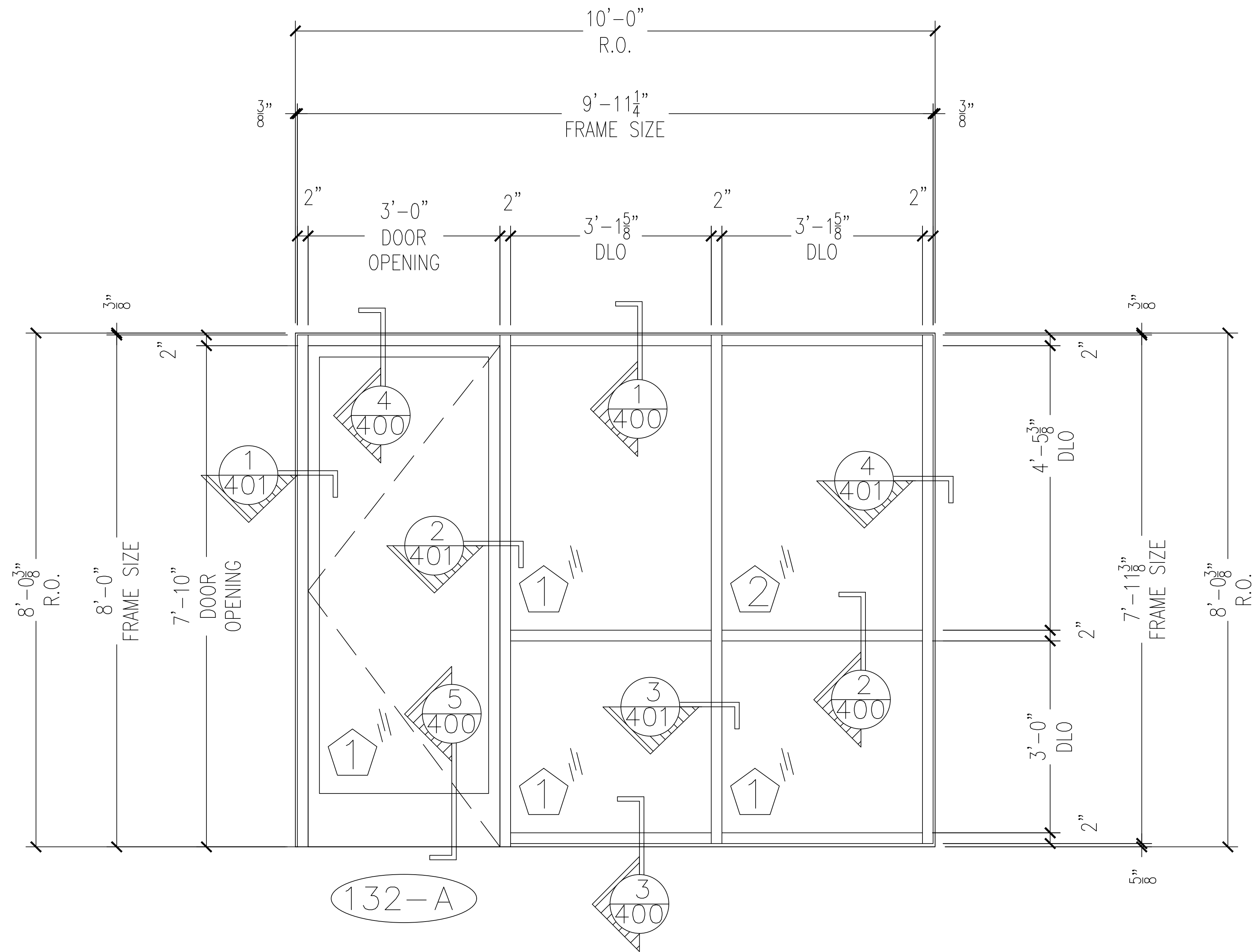
DRAWN BY: **KYLE SCHNECK**

DATE: **01/19/2017**

SHEET: **202**



1 FLOOR 3 CONSTRUCTION PLAN
 ARCH. REF.: D1/A4



KAWNEER NARROW STILE DOOR
KAWNEER 451T FRAMING

QTY: 1

① ELEVATION AT NEW ENTRY
ARCH. REF.: G19/A8

NO.	REVISION/ISSUED	DATE
1	1ST SUBMITTAL	01/19/2017

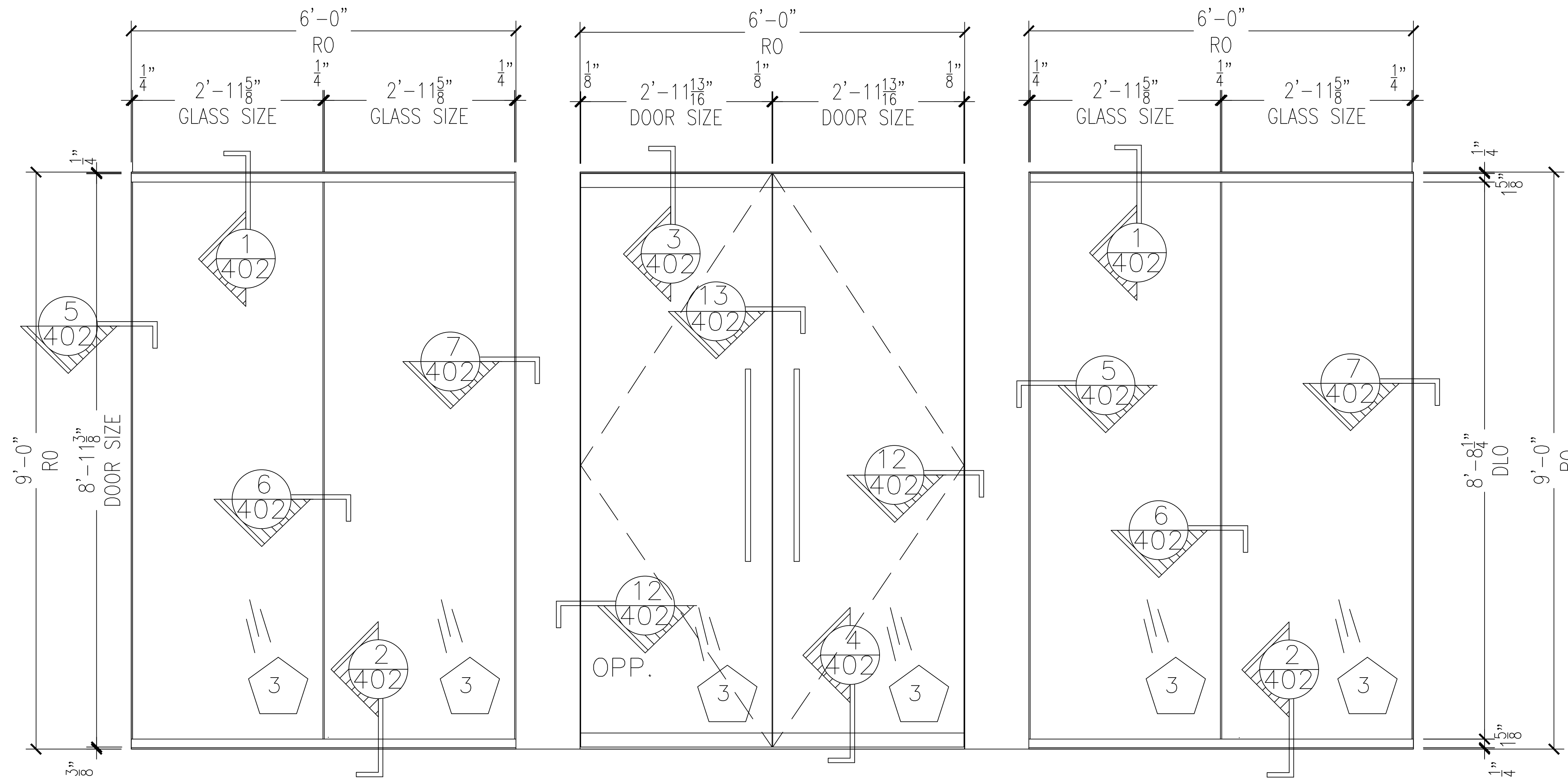
PROJECT NAME & LOCATION:
ALLSTATE INSURANCE COMPANY
CENTER POINTE I
1130 ROUTE 22 EAST
BRIDGEWATER, NJ 08807

SHEET TITLE:
ELEVATIONS

DRAFTSMAN:
KS DRAFTING & DESIGN, LLC.
KYLE SCHNECK
HARRISBURG, PA 17110
KYLE@KSDRAFTINGDESIGNLLC.COM
717-228-7114
KSDRAFTINGDESIGNLLC.COM

DRAWN BY: KYLE SCHNECK

DATE: 01/19/2017
SHEET: 203



117-A

CR LAURENCE U CHANNEL #UCSA3812240
 CR LAURENCE TOP/BOTTOM RAIL DR2SSA12S

QTY: 1

1 ELEVATION AT VESTIBULE 117
 ARCH. REF.: A1/A17

NO.	REVISION/ISSUED	DATE
1	1ST SUBMITTAL	01/19/2017

PROJECT NAME & LOCATION:
 ALLSTATE INSURANCE COMPANY
 CENTER POINTE I
 1130 ROUTE 22 EAST
 BRIDGEWATER, NJ 08807

SHEET TITLE:
 ELEVATIONS

DRAFTSMAN:
 KS DRAFTING & DESIGN, LLC.
 KYLE SCHNECK
 HARRISBURG, PA 17110
 KYLE@KSDRAFTINGDESIGNLLC.COM
 717-228-7114
 KSDRAFTINGDESIGNLLC.COM

DRAWN BY: KYLE SCHNECK

DATE: 01/19/2017 SHEET: 204

NO.	REVISION/ISSUED	DATE
1	1ST SUBMITTAL	01/19/2017

PROJECT NAME & LOCATION:
 ALLSTATE INSURANCE COMPANY
 CENTER POINTE I
 1130 ROUTE 22 EAST
 BRIDGEWATER, NJ 08807

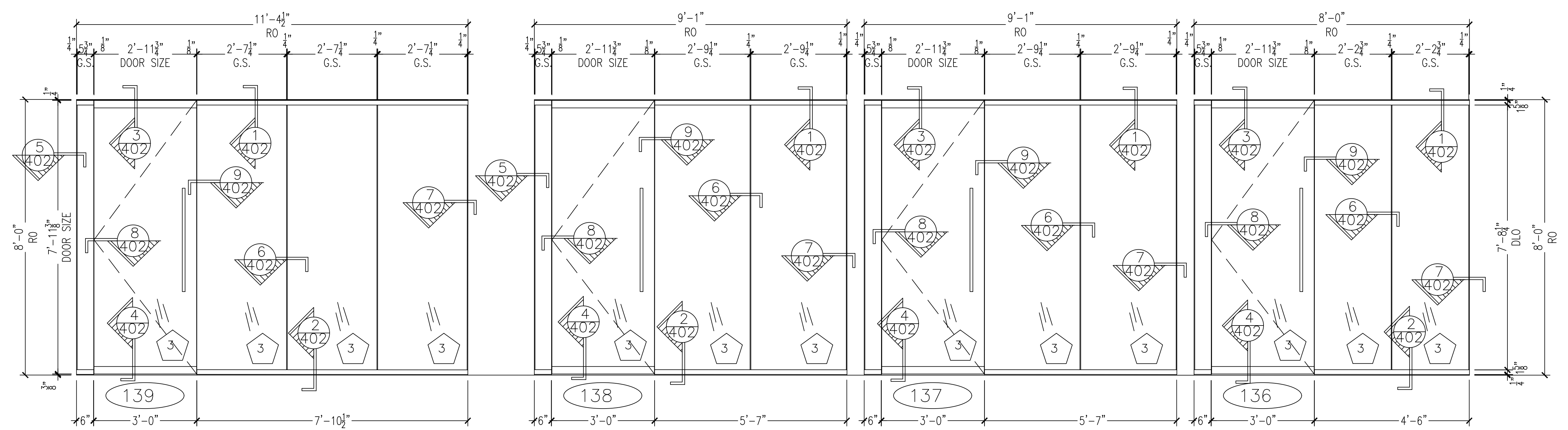
SHEET TITLE:
 ELEVATIONS

DRAFTSMAN:
 KS DRAFTING & DESIGN, LLC.
 KYLE SCHNECK
 HARRISBURG, PA 17110
 KYLE@KSDRAFTINGDESIGNLLC.COM
 717-228-7114
 KSDRAFTINGDESIGNLLC.COM

DRAWN BY: KYLE SCHNECK

DATE: 01/19/2017

SHEET: 205



CR LAURENCE U CHANNEL #UCSA3812240
 CR LAURENCE TOP/BOTTOM RAIL DR2SSA12S

QTY: 1

1 ELEVATION AT OPEN OFFICE 141, PLAN NORTH
 ARCH. REF.: E1/A17

NO.	REVISION/ISSUED	DATE
1	1ST SUBMITTAL	01/19/2017

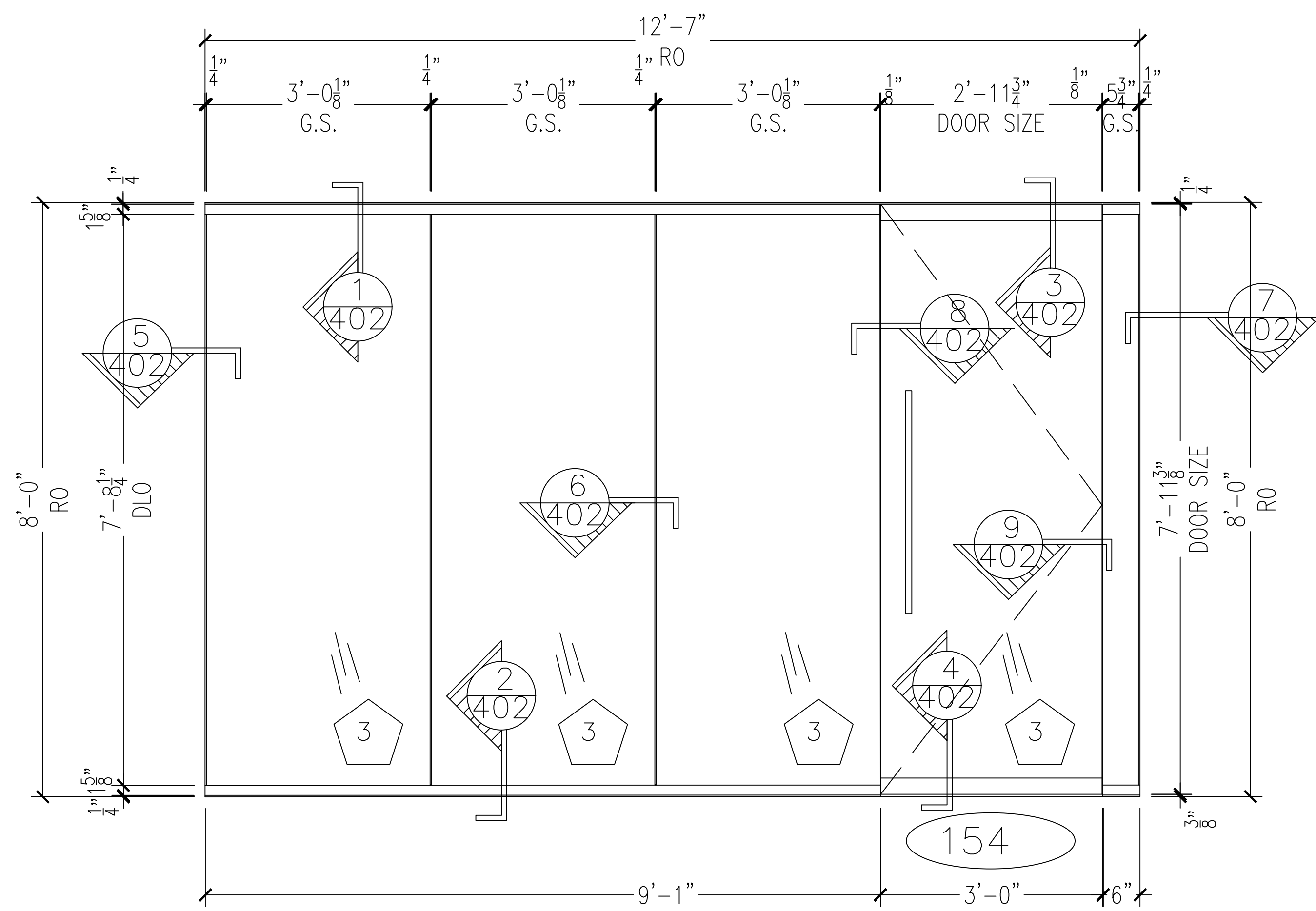
PROJECT NAME & LOCATION:
ALLSTATE INSURANCE COMPANY
CENTER POINTE I
1130 ROUTE 22 EAST
BRIDGEWATER, NJ 08807

SHEET TITLE:
ELEVATIONS

DRAFTSMAN:
 KS DRAFTING & DESIGN, LLC.
 KYLE SCHNECK
 HARRISBURG, PA 17110
 KYLE@KSDRAFTINGDESIGNLLC.COM
 717-228-7114
 KSDRAFTINGDESIGNLLC.COM

DRAWN BY: **KYLE SCHNECK**

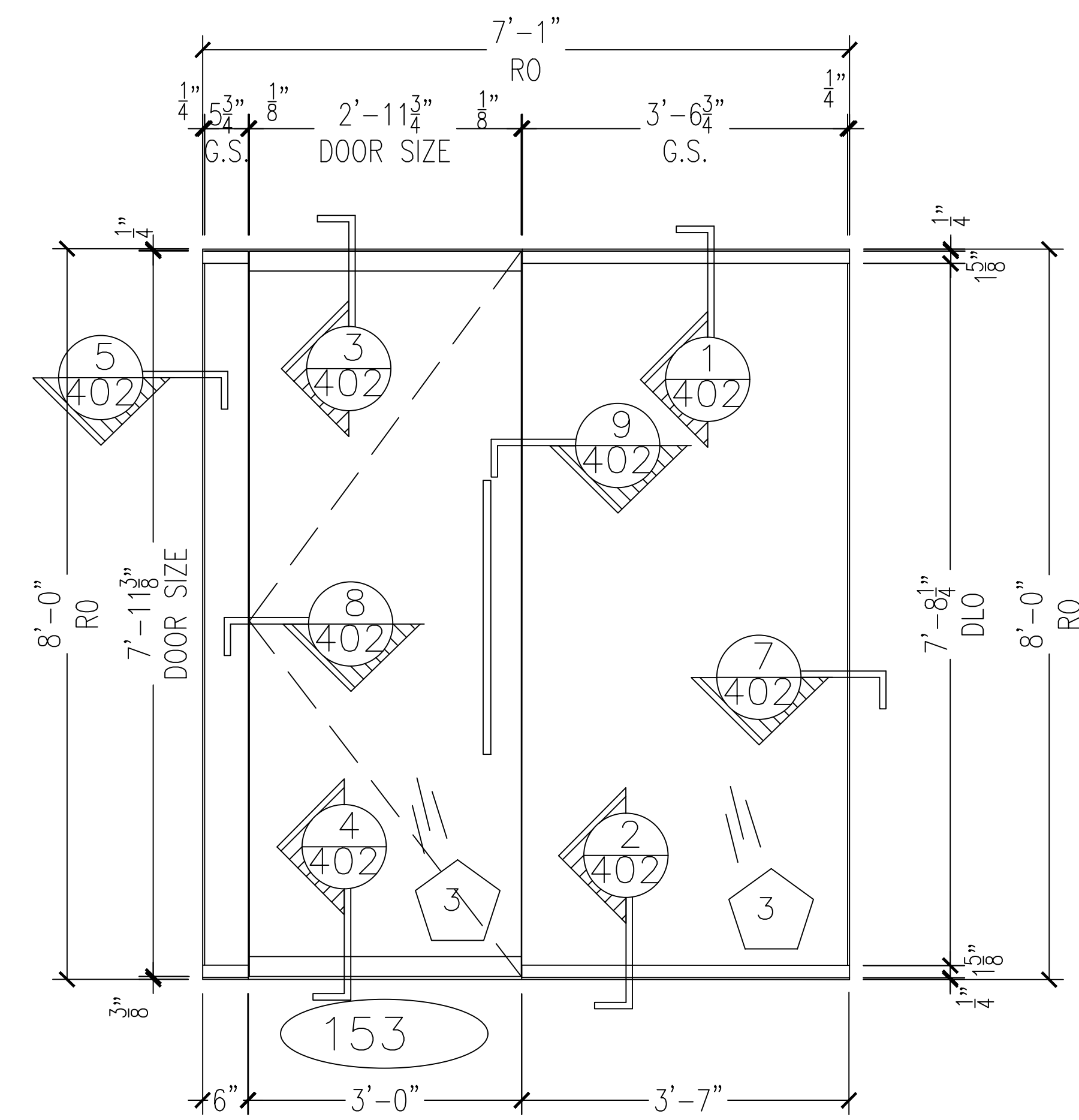
DATE: **01/19/2017** SHEET: **206**



CR LAURENCE U CHANNEL #UCSA3812240
 CR LAURENCE TOP/BOTTOM RAIL DR2SSA12S

QTY: 1

1 ELEVATION AT OPEN OFFICE 152, PLAN NORTH
 ARCH. REF.: E17/A17



CR LAURENCE U CHANNEL #UCSA3812240
 CR LAURENCE TOP/BOTTOM RAIL DR2SSA12S

QTY: 1

2 ELEVATION AT OPEN OFFICE 152, PLAN NORTH
 ARCH. REF.: E17/A17

NO.	REVISION/ISSUED	DATE
1	1ST SUBMITTAL	01/19/2017

PROJECT NAME & LOCATION:
ALLSTATE INSURANCE COMPANY
CENTER POINTE I
1130 ROUTE 22 EAST
BRIDGEWATER, NJ 08807

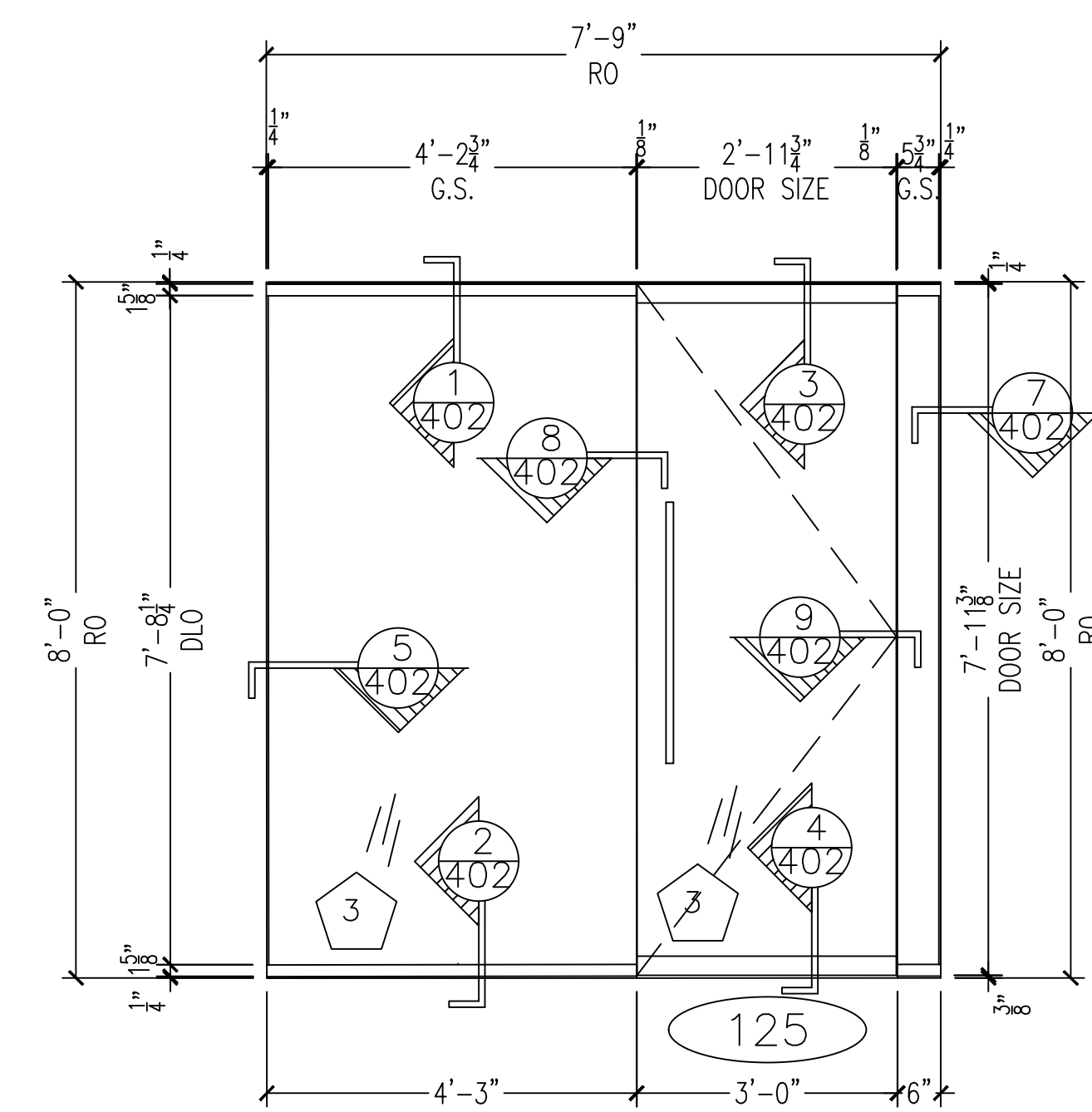
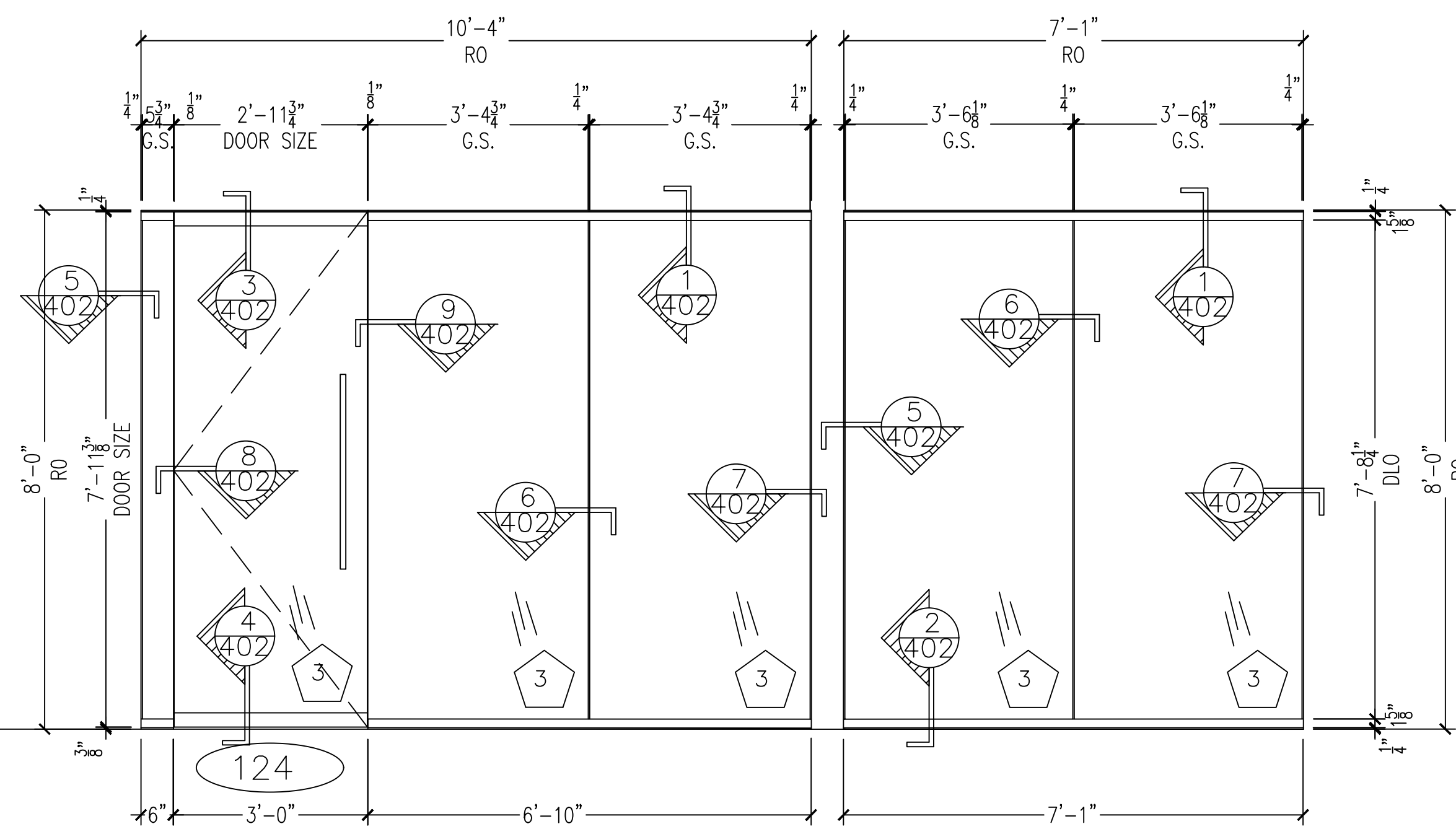
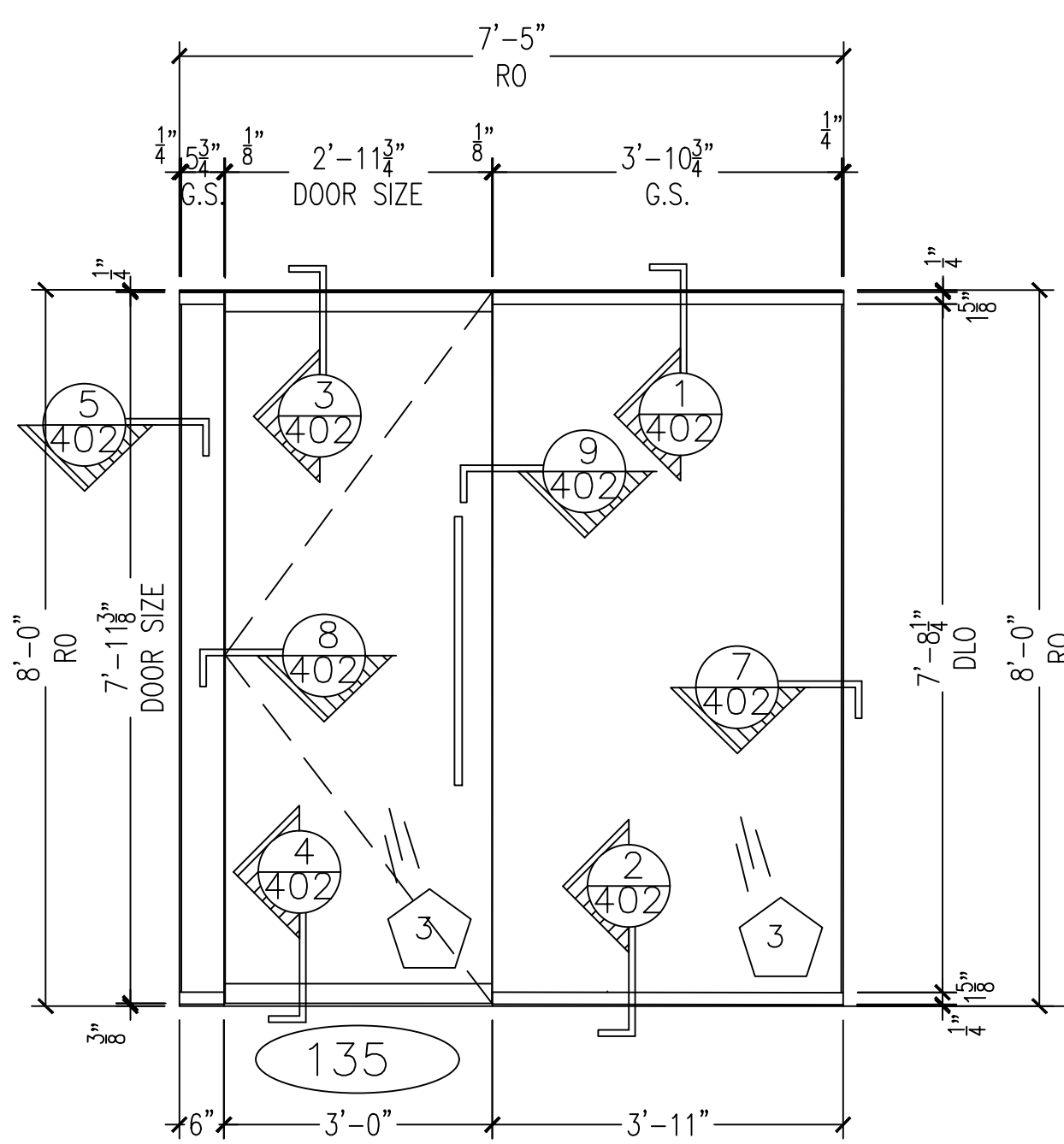
SHEET TITLE:
ELEVATIONS

DRAFTSMAN:
 KS DRAFTING & DESIGN, LLC.
 KYLE SCHNECK
 HARRISBURG, PA 17110
 KYLE@KSDRAFTINGDESIGNLLC.COM
 717-228-7114
 KSDRAFTINGDESIGNLLC.COM

DRAWN BY: **KYLE SCHNECK**

DATE: **01/19/2017**

SHEET: **207**



CR LAURENCE U CHANNEL #UCSA3812240
 CR LAURENCE TOP/BOTTOM RAIL DR2SSA12S

QTY: 1

① ELEVATION AT OPEN OFFICE 133, PLAN WEST
 ARCH. REF.: J6/A17

NO.	REVISION/ISSUED	DATE
1	1ST SUBMITTAL	01/19/2017

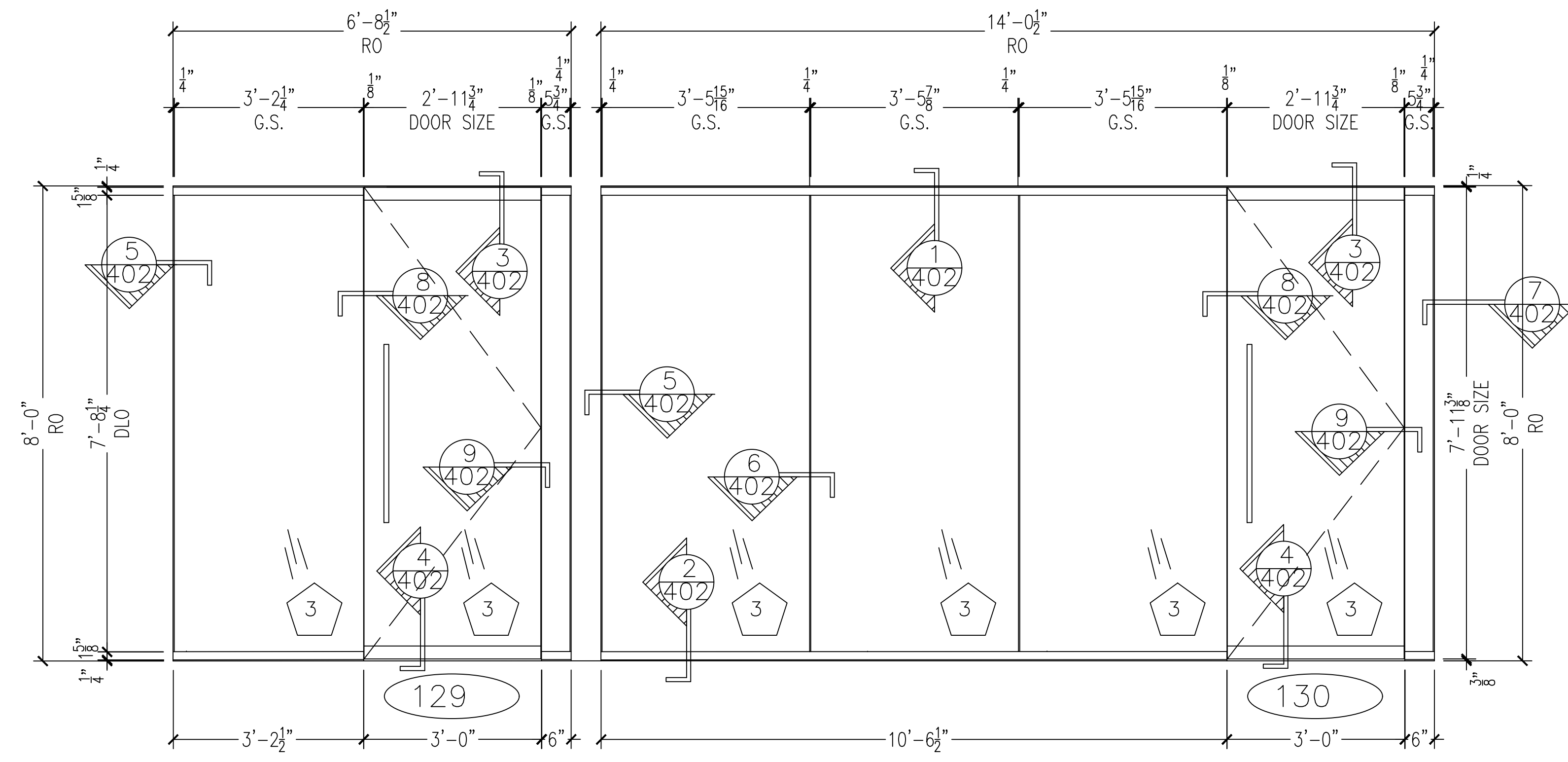
PROJECT NAME & LOCATION:
 ALLSTATE INSURANCE COMPANY
 CENTER POINTE I
 1130 ROUTE 22 EAST
 BRIDGEWATER, NJ 08807

SHEET TITLE:
 ELEVATIONS

DRAFTSMAN:
 KYLE SCHNECK
 HARRISBURG, PA 17110
 KYLE@KSDRAFTINGDESIGNLLC.COM
 717-228-7114
 KSDRAFTINGDESIGNLLC.COM

DRAWN BY: KYLE SCHNECK

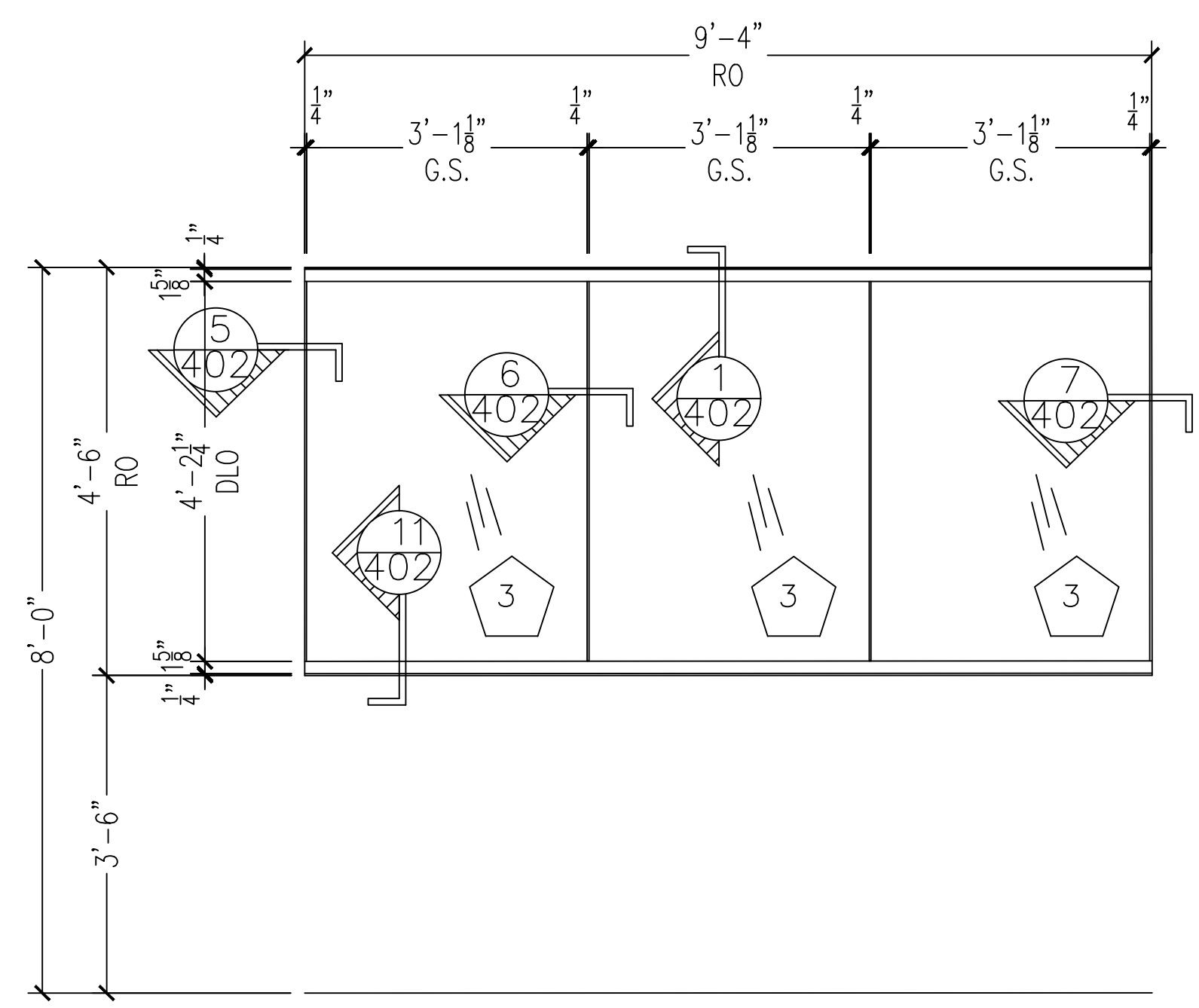
DATE: 01/19/2017 SHEET: 208



CR LAURENCE U CHANNEL #UCSA3812240
 CR LAURENCE TOP/BOTTOM RAIL DR2SSA12S

QTY: 1

1 ELEVATION AT CORRIDOR 131, PLAN NORTH
 ARCH. REF.: N12/A17



CR LAURENCE U CHANNEL #UCSA3812240

QTY: 1

2 ELEVATION AT WAITING 132, PLAN WEST
 ARCH. REF.: J1/A17

NO.	REVISION/ISSUED	DATE
1	1ST SUBMITTAL	01/19/2017

PROJECT NAME & LOCATION:
 ALLSTATE INSURANCE COMPANY
 CENTER POINTE I
 1130 ROUTE 22 EAST
 BRIDGEWATER, NJ 08807

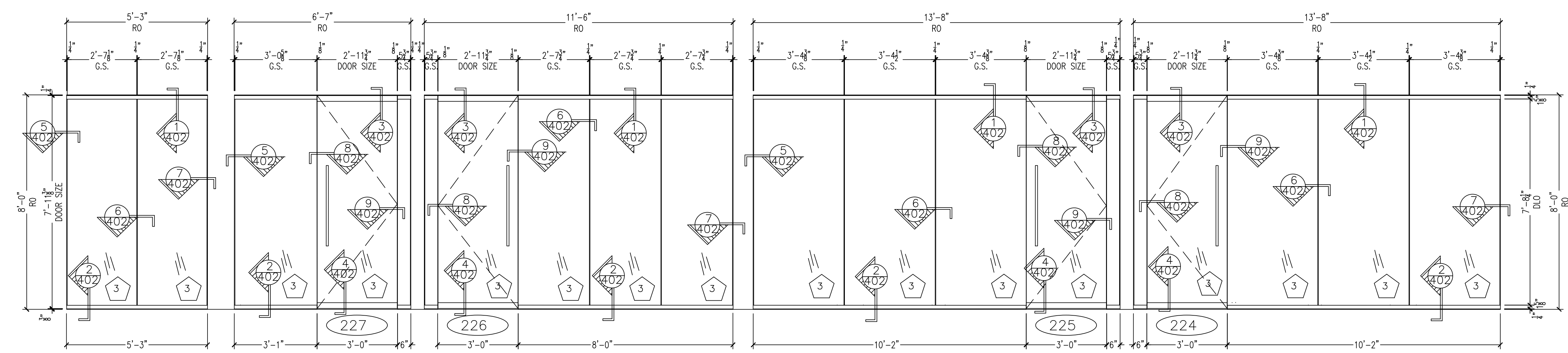
SHEET TITLE:
 ELEVATIONS

DRAFTSMAN:
 KS DRAFTING & DESIGN, LLC.
 KYLE SCHNECK
 HARRISBURG, PA 17110
 KYLE@KSDRAFTINGDESIGNLLC.COM
 717-228-7114
 KSDRAFTINGDESIGNLLC.COM

DRAWN BY: KYLE SCHNECK

DATE: 01/19/2017

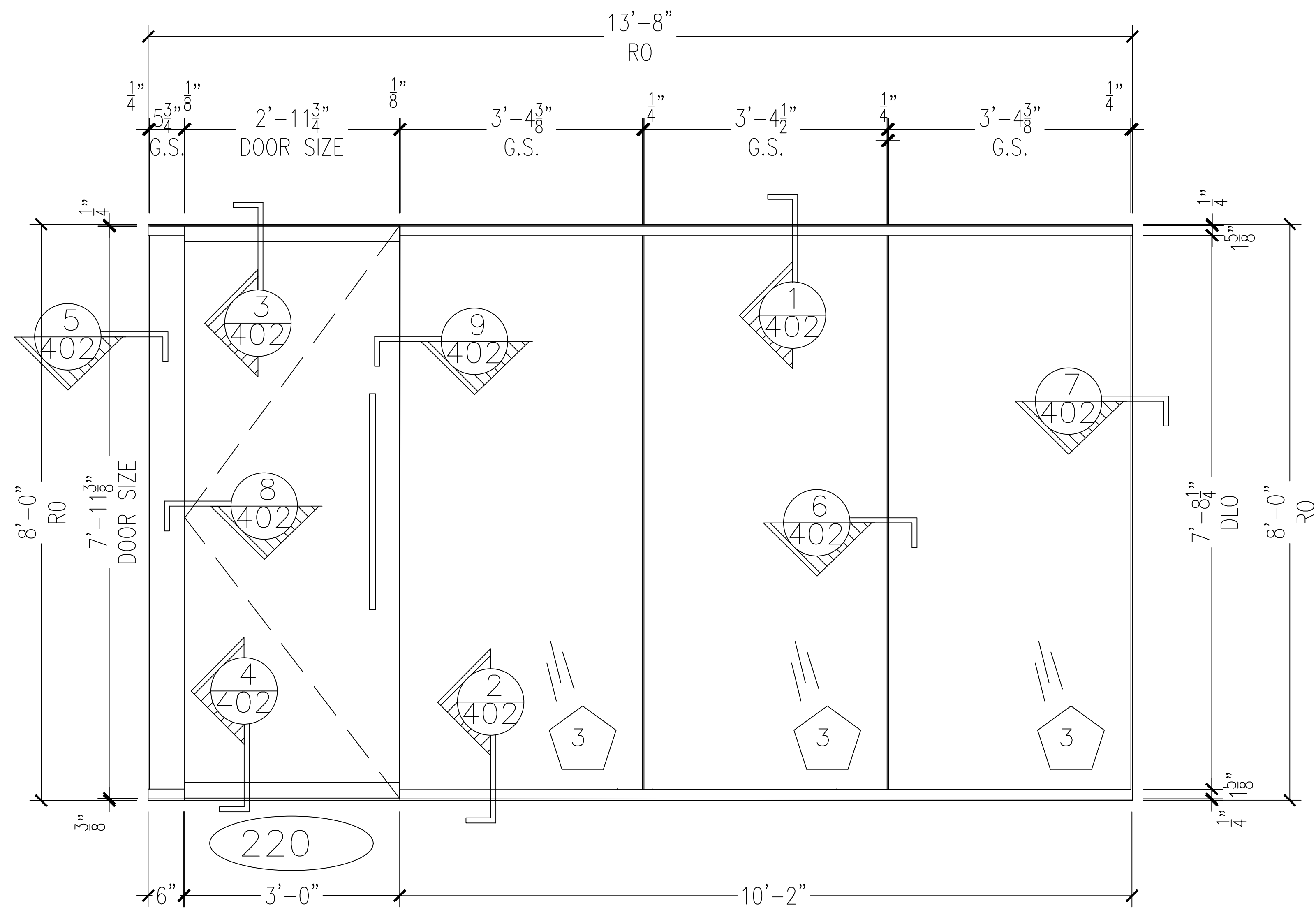
SHEET: 209



CR LAURENCE U CHANNEL #UCSA3812240
 CR LAURENCE TOP/BOTTOM RAIL DR2SSA12S

QTY: 1

1 ELEVATION AT OPEN OFFICE 222/229, PLAN NORTH
 ARCH. REF.: N1/A18



CR LAURENCE U CHANNEL #UCSA3812240
 CR LAURENCE TOP/BOTTOM RAIL DR2SSA12S

QTY: 1

1 ELEVATION AT OPEN OFFICE 221, PLAN WEST
 ARCH. REF.: N19/A18

NO.	REVISION/ISSUED	DATE
1	1ST SUBMITTAL	01/19/2017

PROJECT NAME & LOCATION:
 ALLSTATE INSURANCE COMPANY
 CENTER POINTE I
 1130 ROUTE 22 EAST
 BRIDGEWATER, NJ 08807

SHEET TITLE:
 ELEVATIONS

DRAFTSMAN:
 KS DRAFTING & DESIGN, LLC.
 KYLE SCHNECK
 HARRISBURG, PA 17110
 KYLE@KSDRAFTINGDESIGNLLC.COM
 717-228-7114
 KSDRAFTINGDESIGNLLC.COM

DRAWN BY: KYLE SCHNECK

DATE: 01/19/2017

SHEET: 210

NO.	REVISION/ISSUED	DATE
1	1ST SUBMITTAL	01/19/2017

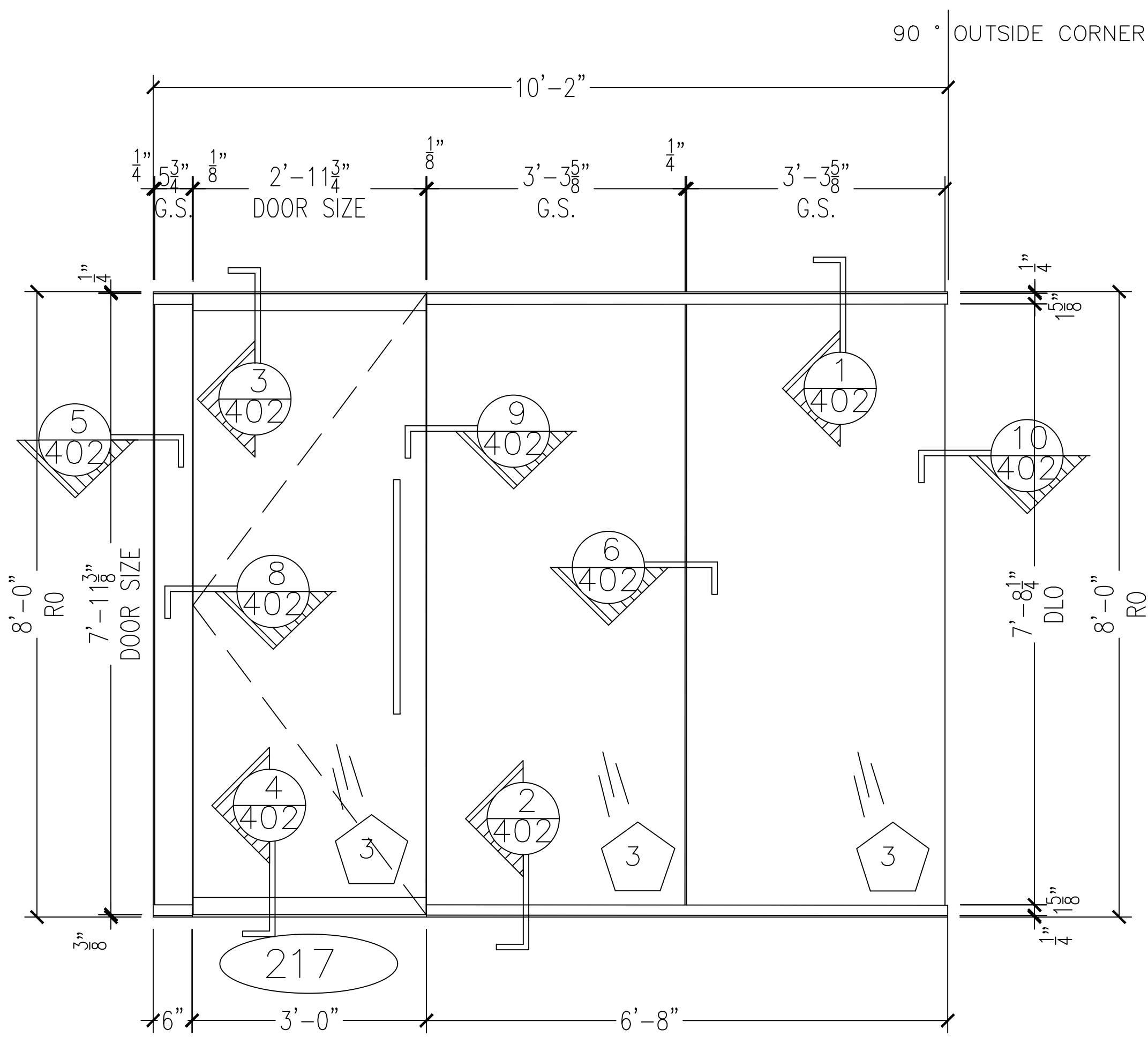
PROJECT NAME & LOCATION:
ALLSTATE INSURANCE COMPANY
CENTER POINTE I
1130 ROUTE 22 EAST
BRIDGEWATER, NJ 08807

SHEET TITLE:
ELEVATIONS

DRAFTSMAN:
 KS DRAFTING & DESIGN, LLC.
 KYLE SCHNECK
 HARRISBURG, PA 17110
 KYLE@KSDRAFTINGDESIGNLLC.COM
 717-228-7114
 KSDRAFTINGDESIGNLLC.COM

DRAWN BY: **KYLE SCHNECK**

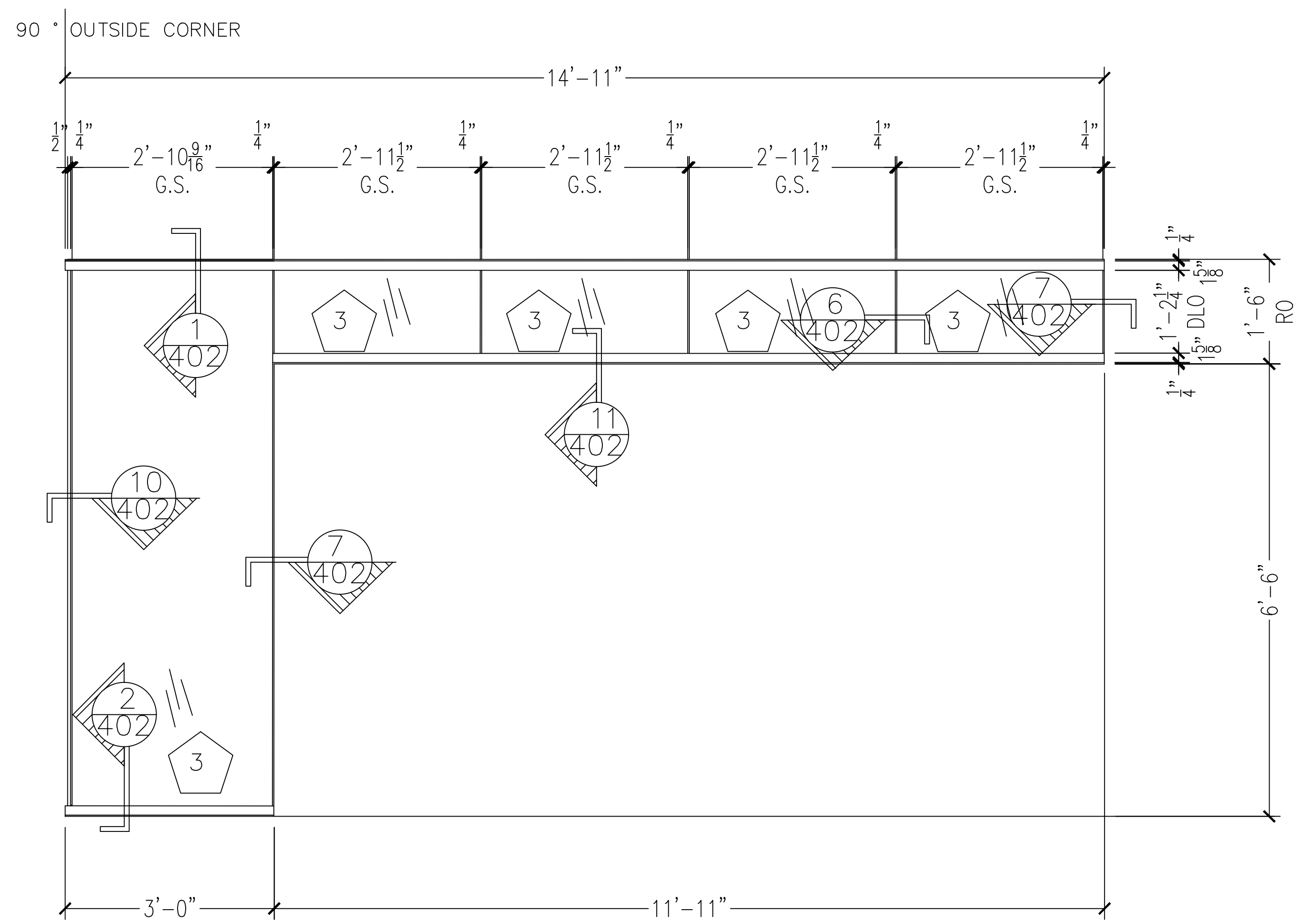
DATE: **01/19/2017** SHEET: **211**



CR LAURENCE U CHANNEL #UCSA3812240
 CR LAURENCE TOP/BOTTOM RAIL DR2SSA12S

QTY: 1

① ELEVATION AT OPEN OFFICE 216, PLAN WEST
 ARCH. REF.: J1/A18



CR LAURENCE U CHANNEL #UCSA3812240

QTY: 1

② ELEVATION AT OPEN OFFICE 214, PLAN SOUTH
 ARCH. REF.: J6/A18

NO.	REVISION/ISSUED	DATE
1	1ST SUBMITTAL	01/19/2017

PROJECT NAME & LOCATION:
ALLSTATE INSURANCE COMPANY
CENTER POINTE I
1130 ROUTE 22 EAST
BRIDGEWATER, NJ 08807

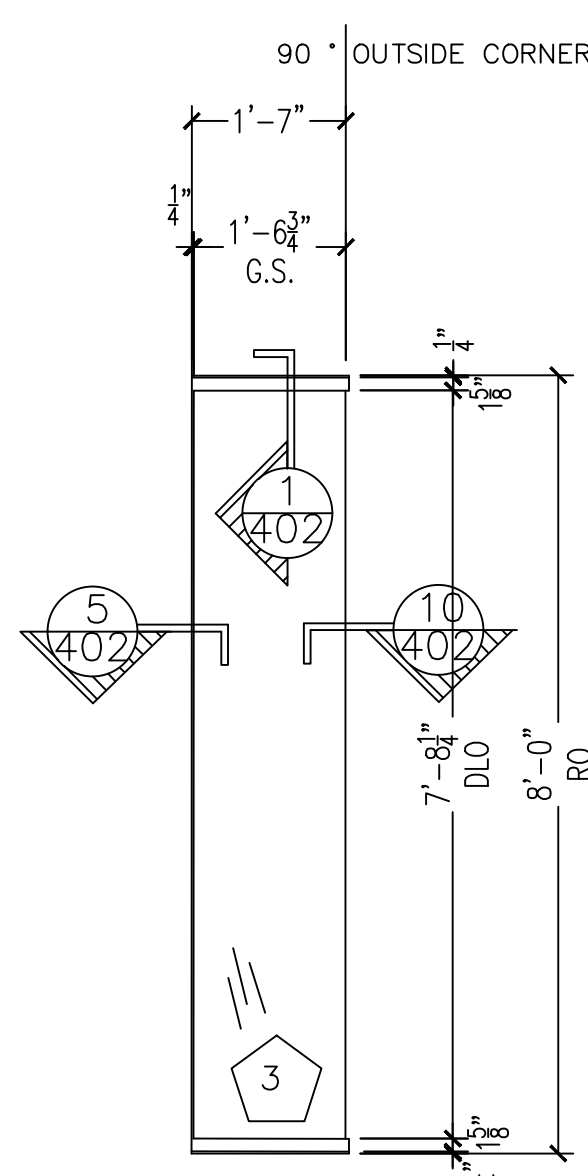
SHEET TITLE:
ELEVATIONS

DRAFTSMAN:
 KS DRAFTING & DESIGN, LLC.
 KYLE SCHNECK
 HARRISBURG, PA 17110
 KYLE@KSDRAFTINGDESIGNLLC.COM
 717-228-7114
 KSDRAFTINGDESIGNLLC.COM

DRAWN BY: **KYLE SCHNECK**

DATE: **01/19/2017**

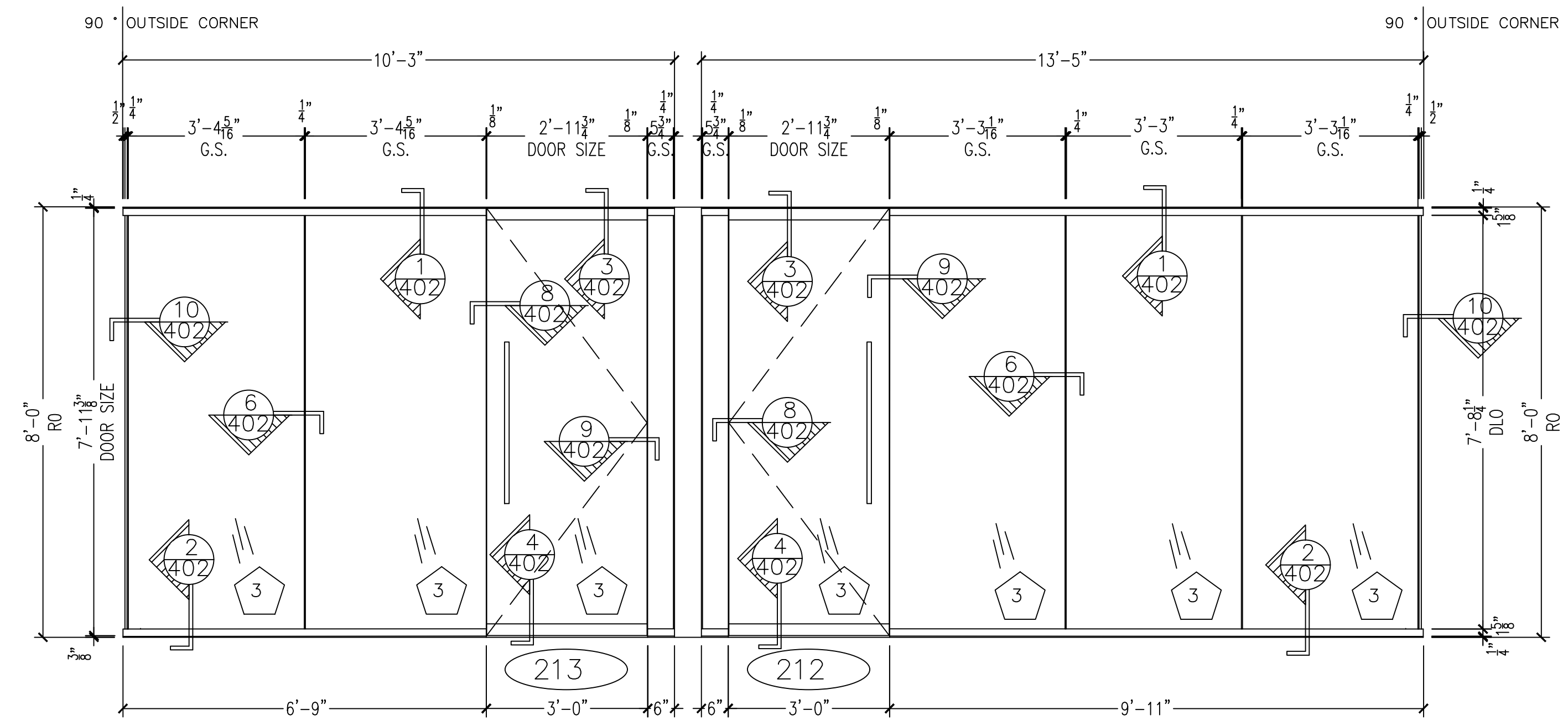
SHEET: **212**



CR LAURENCE U CHANNEL #UCSA3812240

QTY: 1

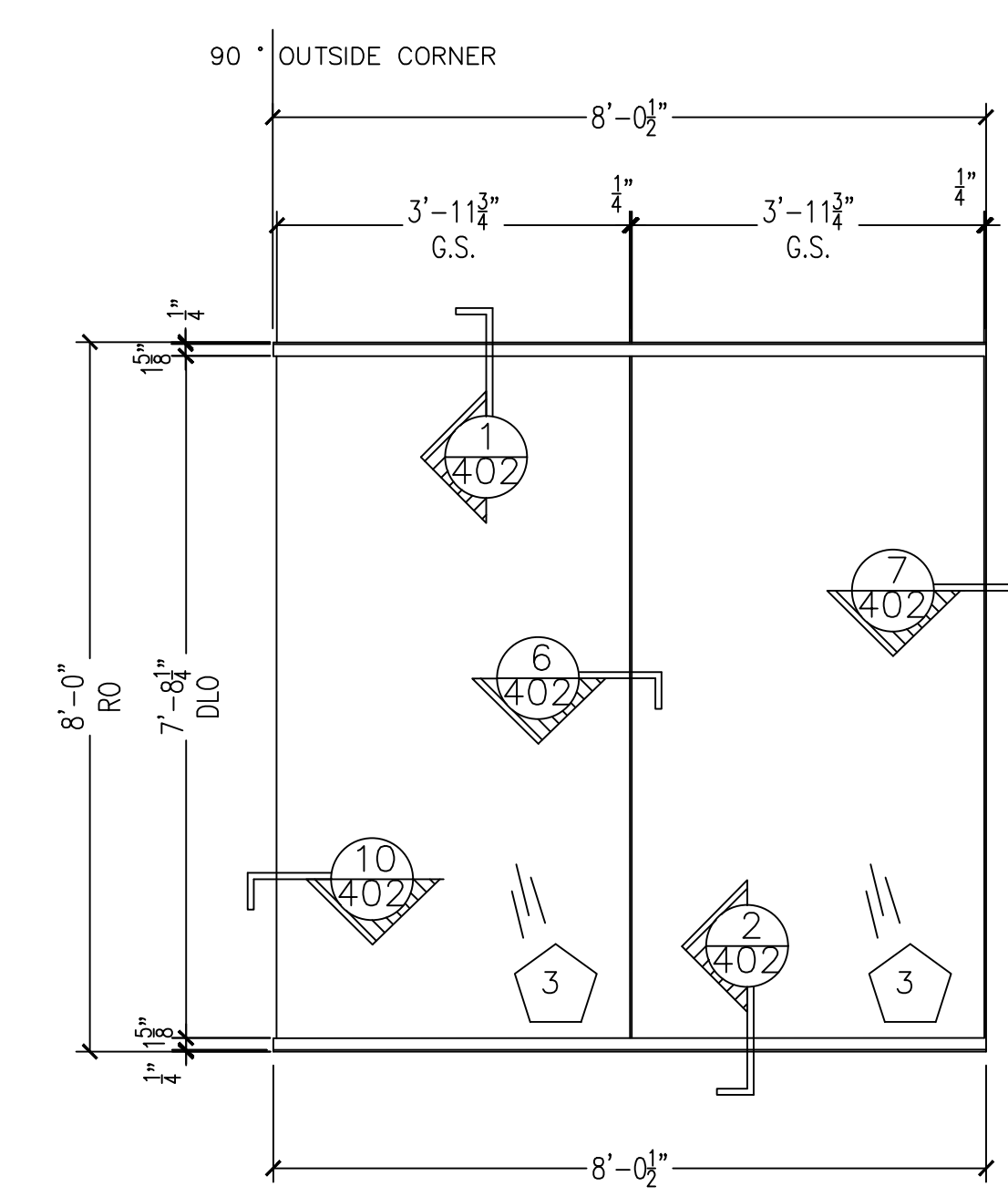
1 ELEVATION AT OPEN OFFICE 215, PLAN WEST
 ARCH. REF.: A14/A18



CR LAURENCE U CHANNEL #UCSA3812240
 CR LAURENCE TOP/BOTTOM RAIL DR2SSA12S

QTY: 1

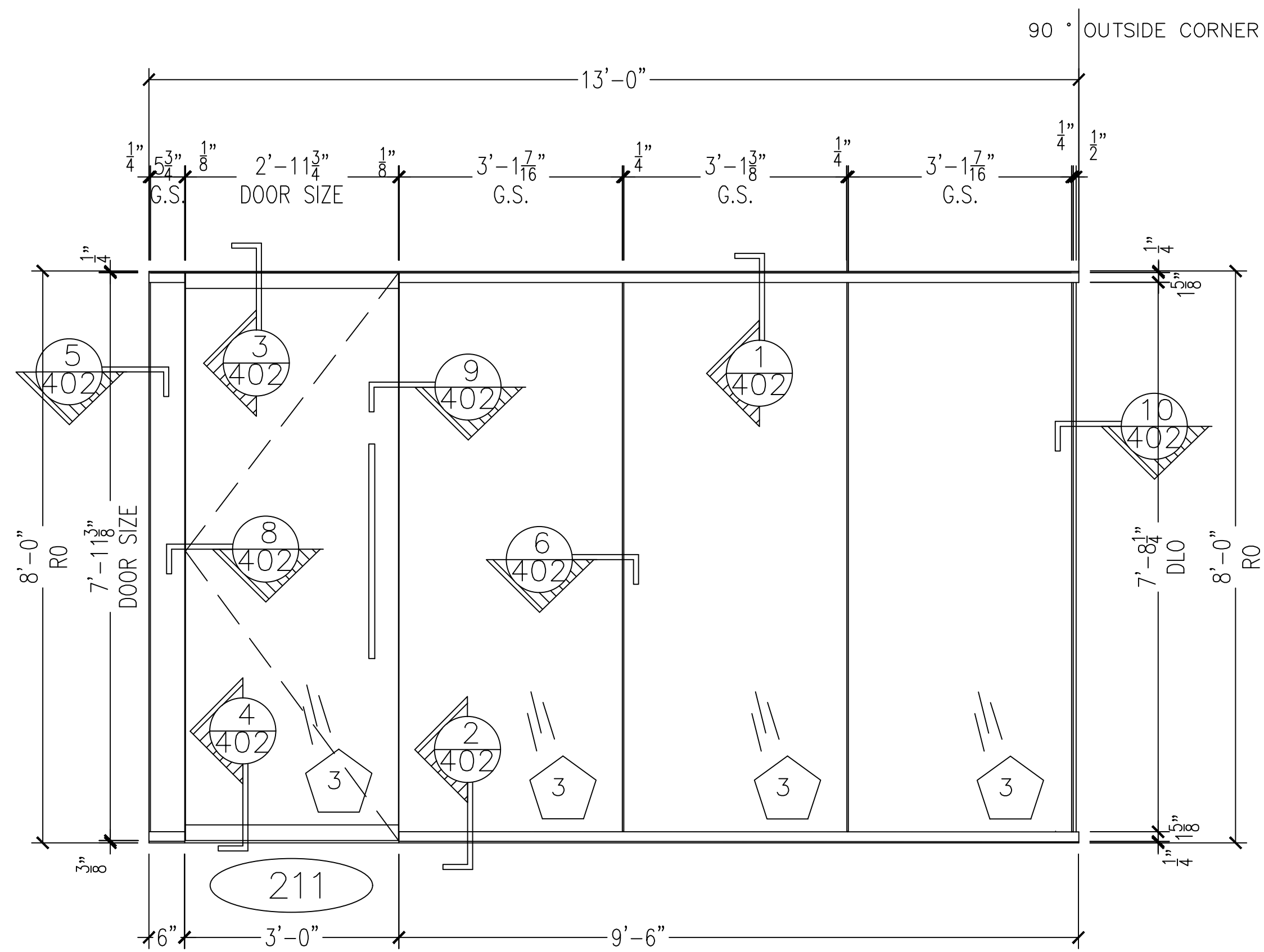
2 ELEVATION AT OPEN OFFICE 214, PLAN SOUTH
 ARCH. REF.: J6/A18



CR LAURENCE U CHANNEL #UCSA3812240

QTY: 1

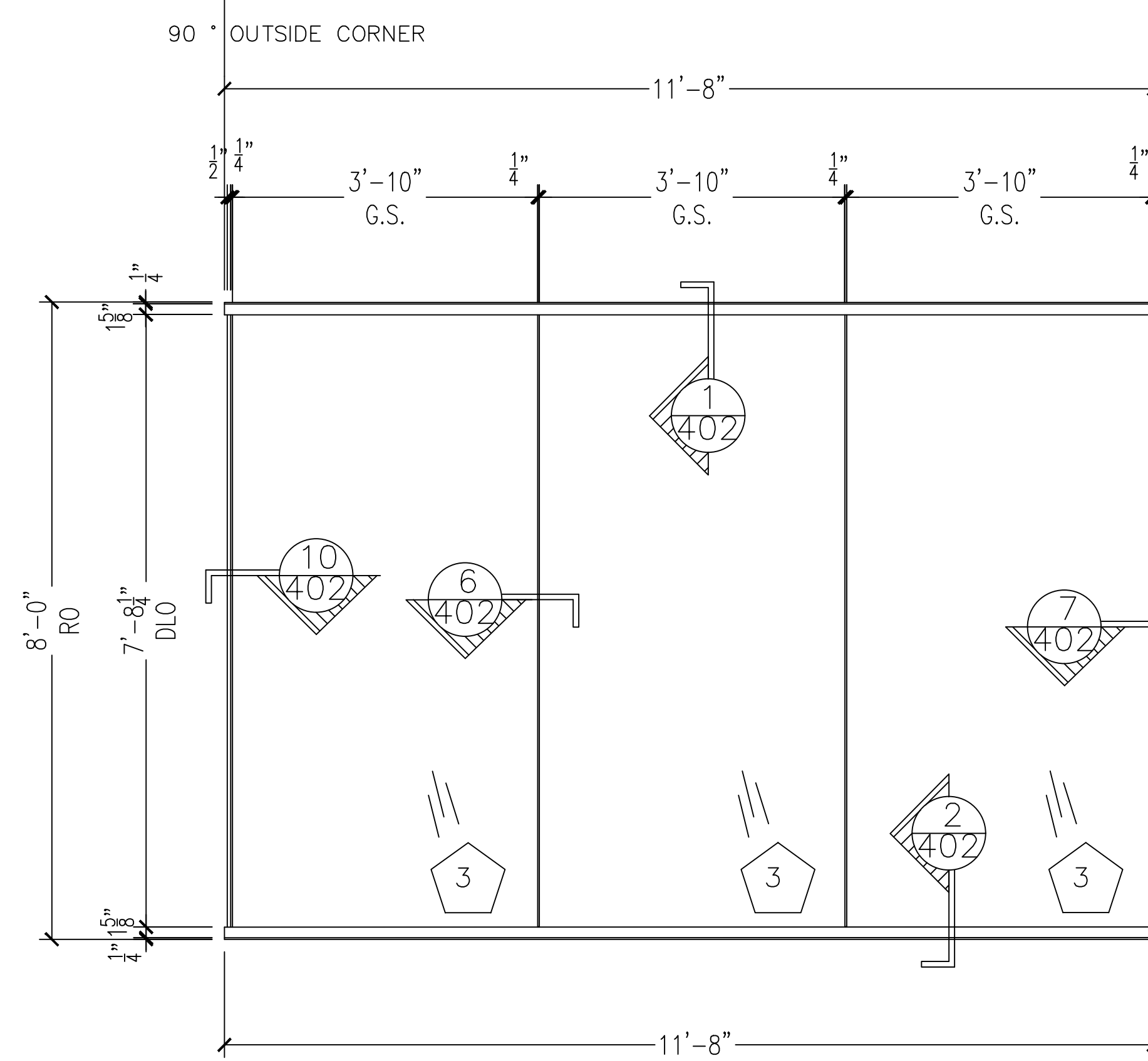
3 ELEVATION AT CORRIDOR 201, PLAN EAST
 ARCH. REF.: E1/A18



CR LAURENCE U CHANNEL #UCSA3812240
 CR LAURENCE TOP/BOTTOM RAIL DR2SSA12S

QTY: 1

1 ELEVATION AT OPEN OFFICE 214, PLAN SOUTH
 ARCH. REF.: J6/A18



CR LAURENCE U CHANNEL #UCSA3812240

QTY: 1

2 ELEVATION AT CORRIDOR 201, PLAN EAST
 ARCH. REF.: E1/A18

NO.	REVISION/ISSUED	DATE
1	1ST SUBMITTAL	01/19/2017

PROJECT NAME & LOCATION:
 ALLSTATE INSURANCE COMPANY
 CENTER POINTE I
 1130 ROUTE 22 EAST
 BRIDGEWATER, NJ 08807

SHEET TITLE:
 ELEVATIONS

DRAFTSMAN:
 KS DRAFTING & DESIGN, LLC.
 KYLE SCHNECK
 HARRISBURG, PA 17110
 KYLE@KSDRAFTINGDESIGNLLC.COM
 717-228-7114
 KSDRAFTINGDESIGNLLC.COM

DRAWN BY: KYLE SCHNECK

DATE: 01/19/2017

SHEET: 213

NO.	REVISION/ISSUED	DATE
1	1ST SUBMITTAL	01/19/2017

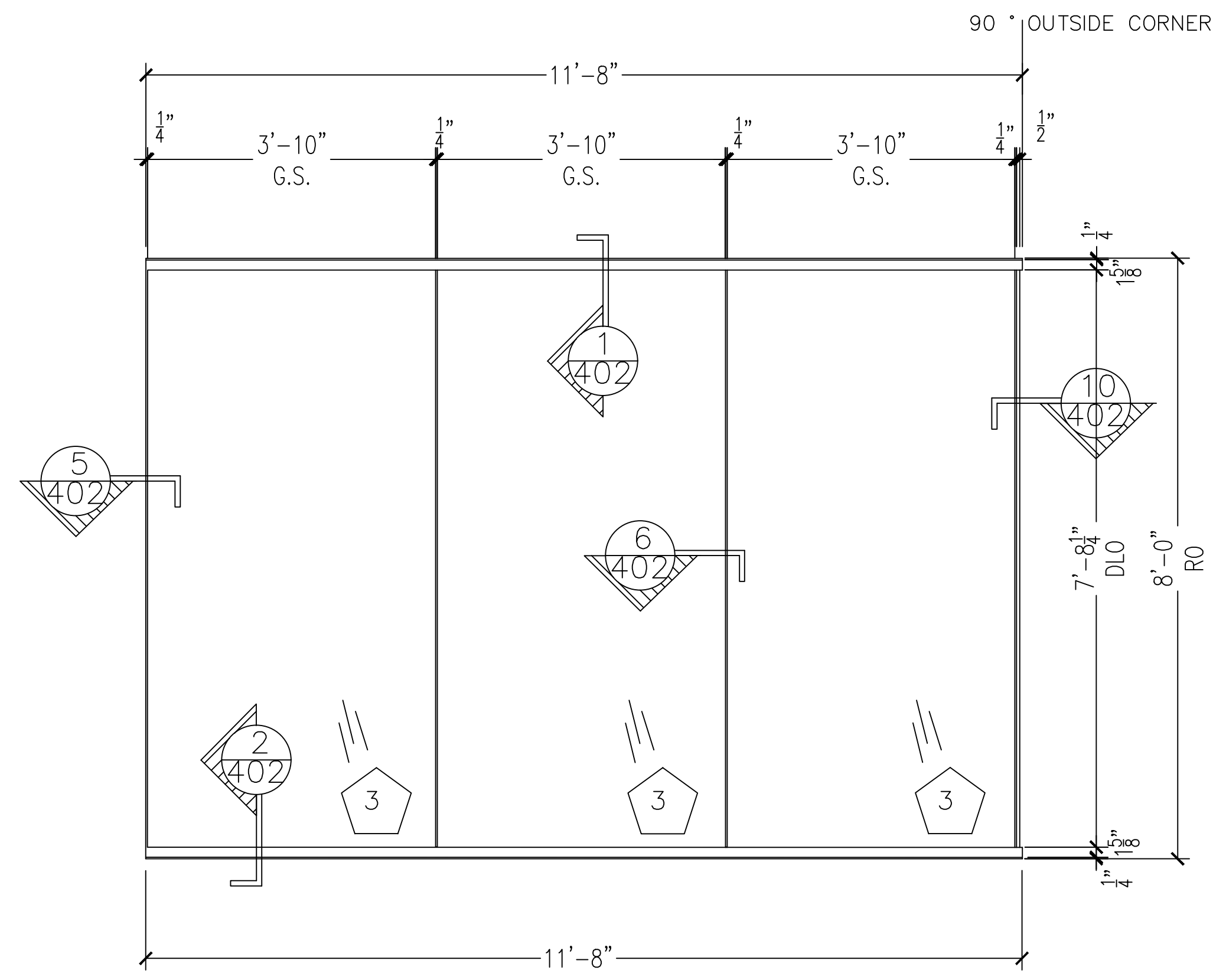
PROJECT NAME & LOCATION:
ALLSTATE INSURANCE COMPANY
CENTER POINTE I
1130 ROUTE 22 EAST
BRIDGEWATER, NJ 08807

SHEET TITLE:
ELEVATIONS

DRAFTSMAN:
 KS DRAFTING & DESIGN, LLC.
 KYLE SCHNECK
 HARRISBURG, PA 17110
 KYLE@KSDRAFTINGDESIGNLLC.COM
 717-228-7114
 KSDRAFTINGDESIGNLLC.COM

DRAWN BY: **KYLE SCHNECK**

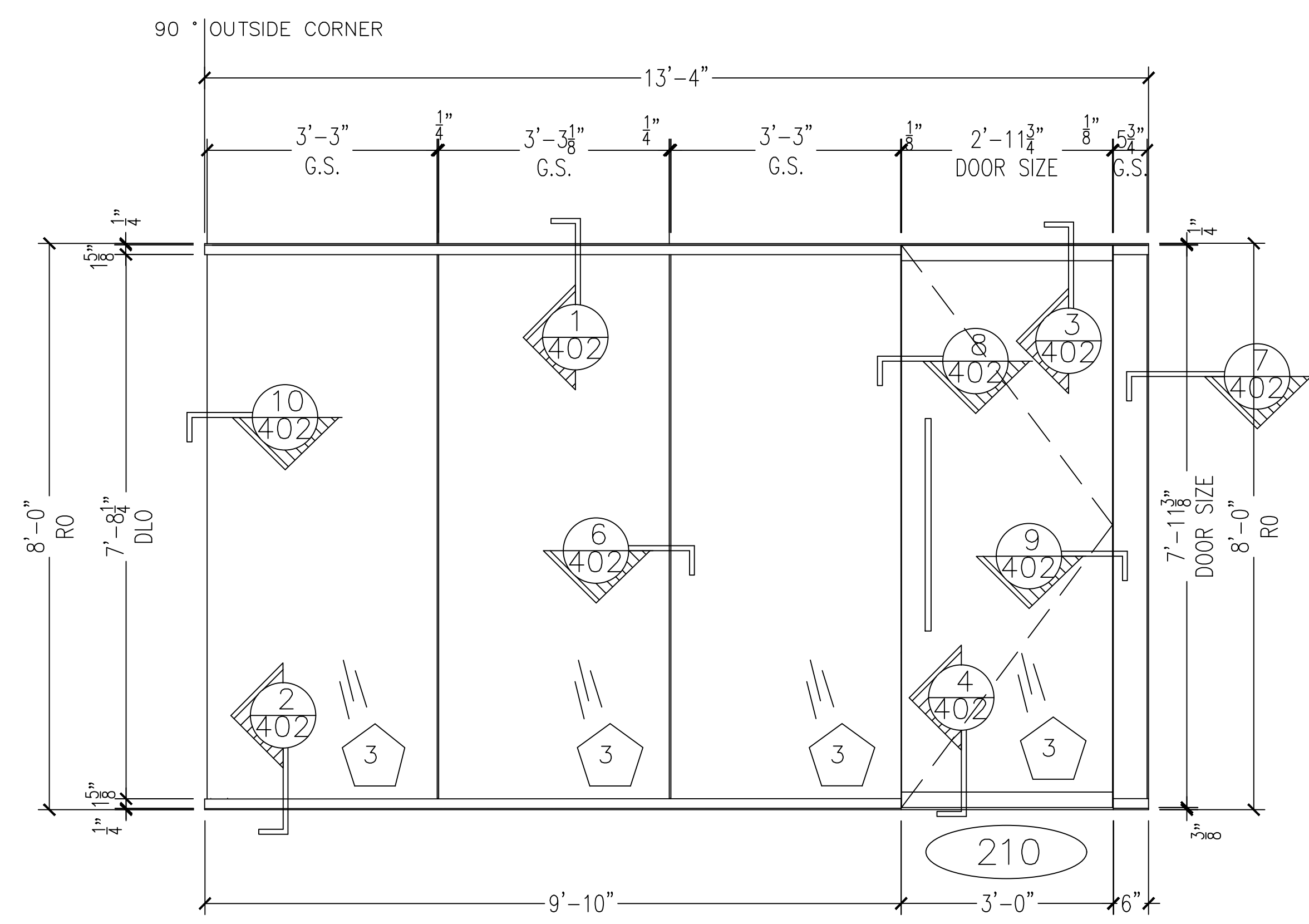
DATE: **01/19/2017** SHEET: **214**



CR LAURENCE U CHANNEL #UCSA3812240

QTY: 1

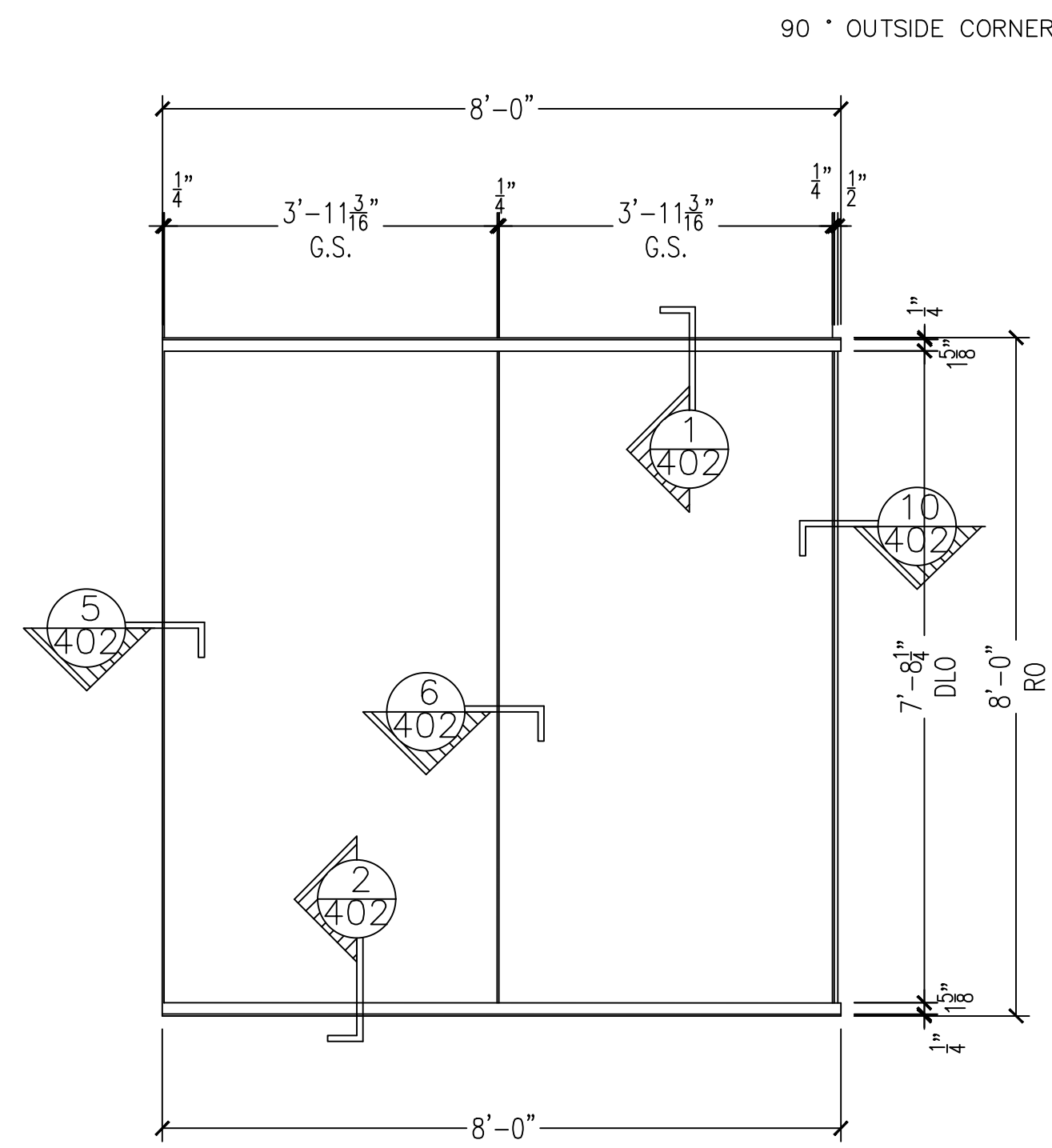
1 ELEVATION AT CORRIDOR 201, PLAN WEST
 ARCH. REF.: E10/A18



CR LAURENCE U CHANNEL #UCSA3812240
 CR LAURENCE TOP/BOTTOM RAIL DR2SSA12S

QTY: 1

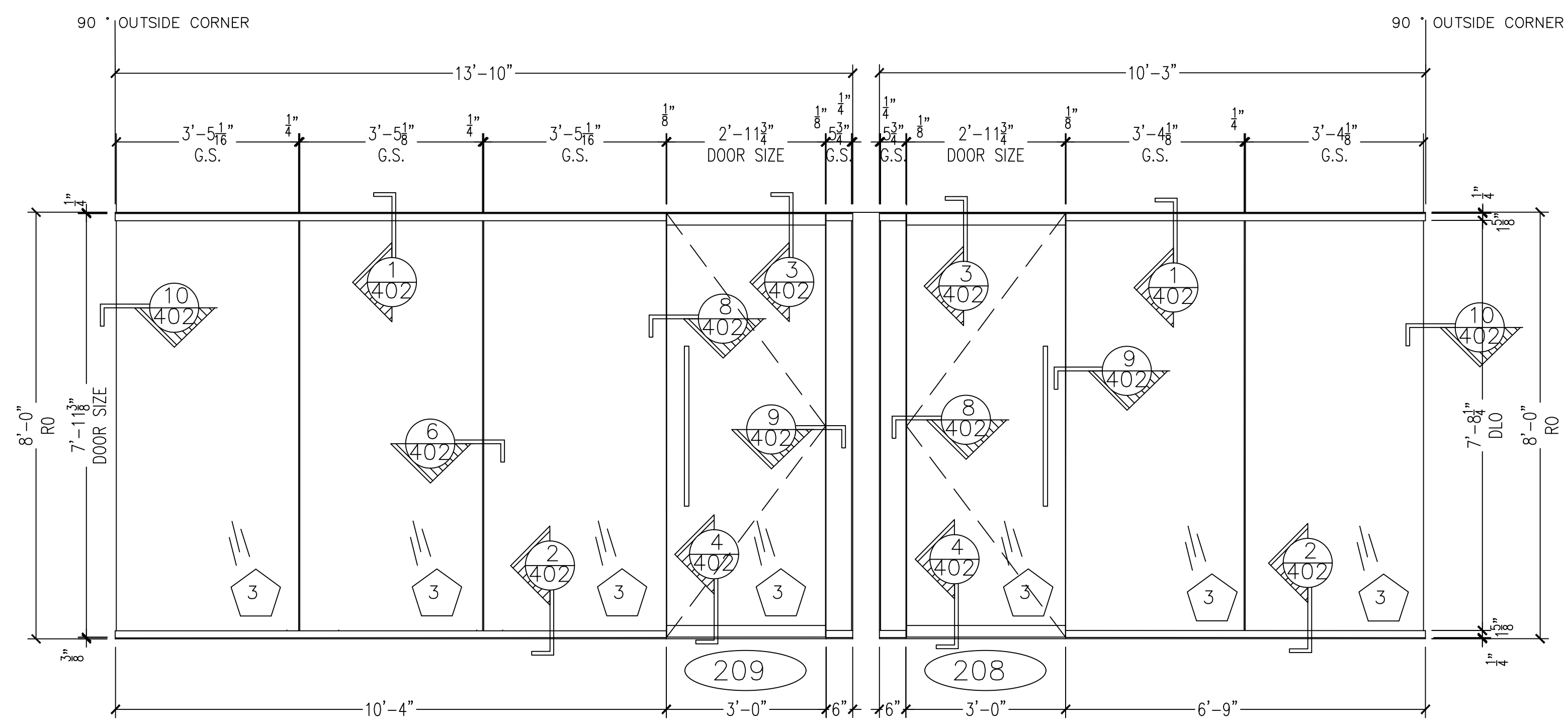
2 ELEVATION AT OPEN OFFICE 207, PLAN SOUTH
 ARCH. REF.: A1/A18



CR LAURENCE U CHANNEL #UCSA3812240

QTY: 1

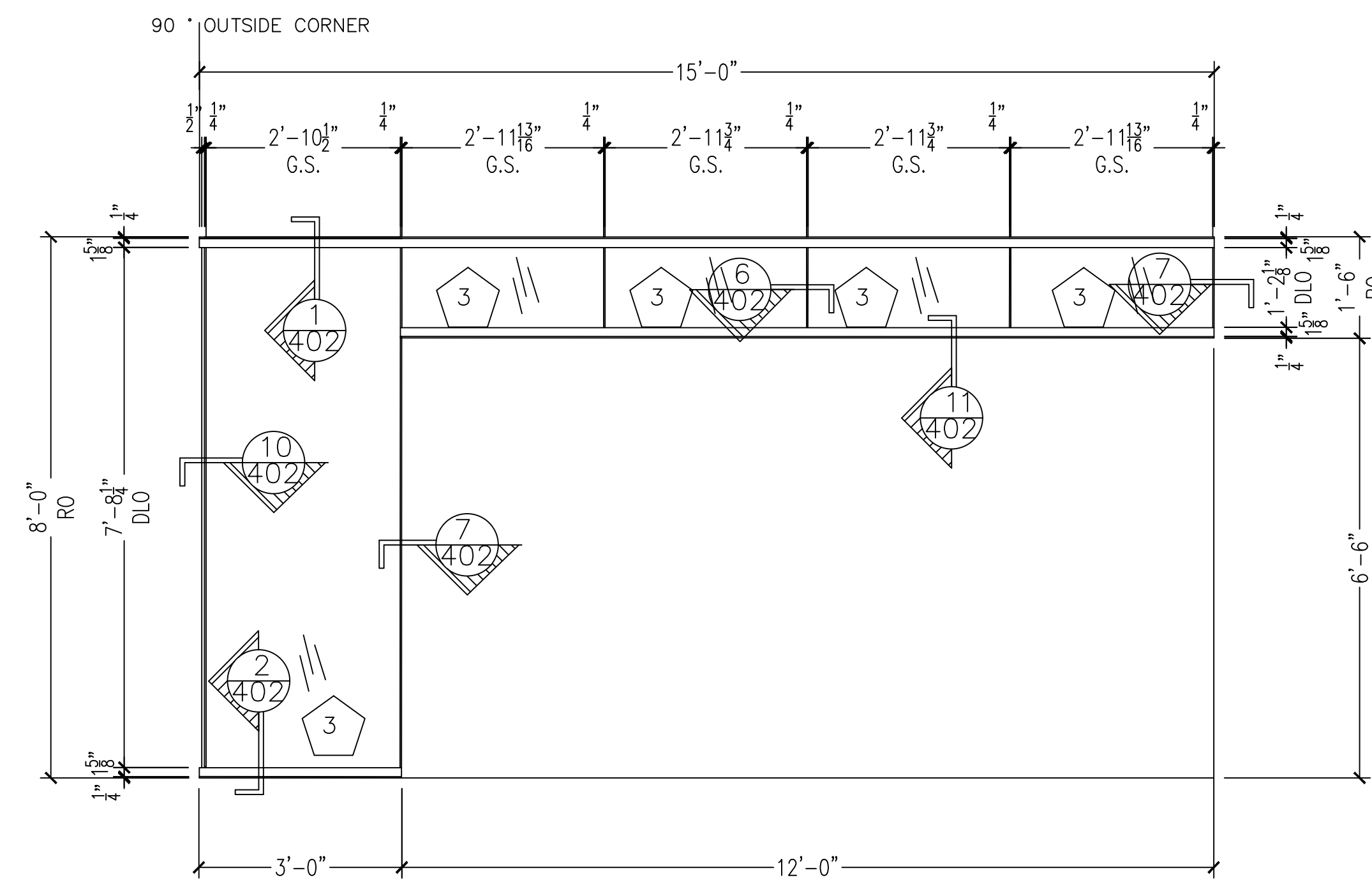
1 ELEVATION AT CORRIDOR 201, PLAN WEST
ARCH. REF.: E10/A18



CR LAURENCE U CHANNEL #UCSA3812240
CR LAURENCE TOP/BOTTOM RAIL DR2SSA12S

QTY: 1

2 ELEVATION AT OPEN OFFICE 207, PLAN SOUTH
ARCH. REF.: A1/A18



CR LAURENCE U CHANNEL #UCSA3812240

QTY: 1

3 ELEVATION AT OPEN OFFICE 206, PLAN EAST
ARCH. REF.: E18/A18

NO.	REVISION/ISSUED	DATE
1	1ST SUBMITTAL	01/19/2017

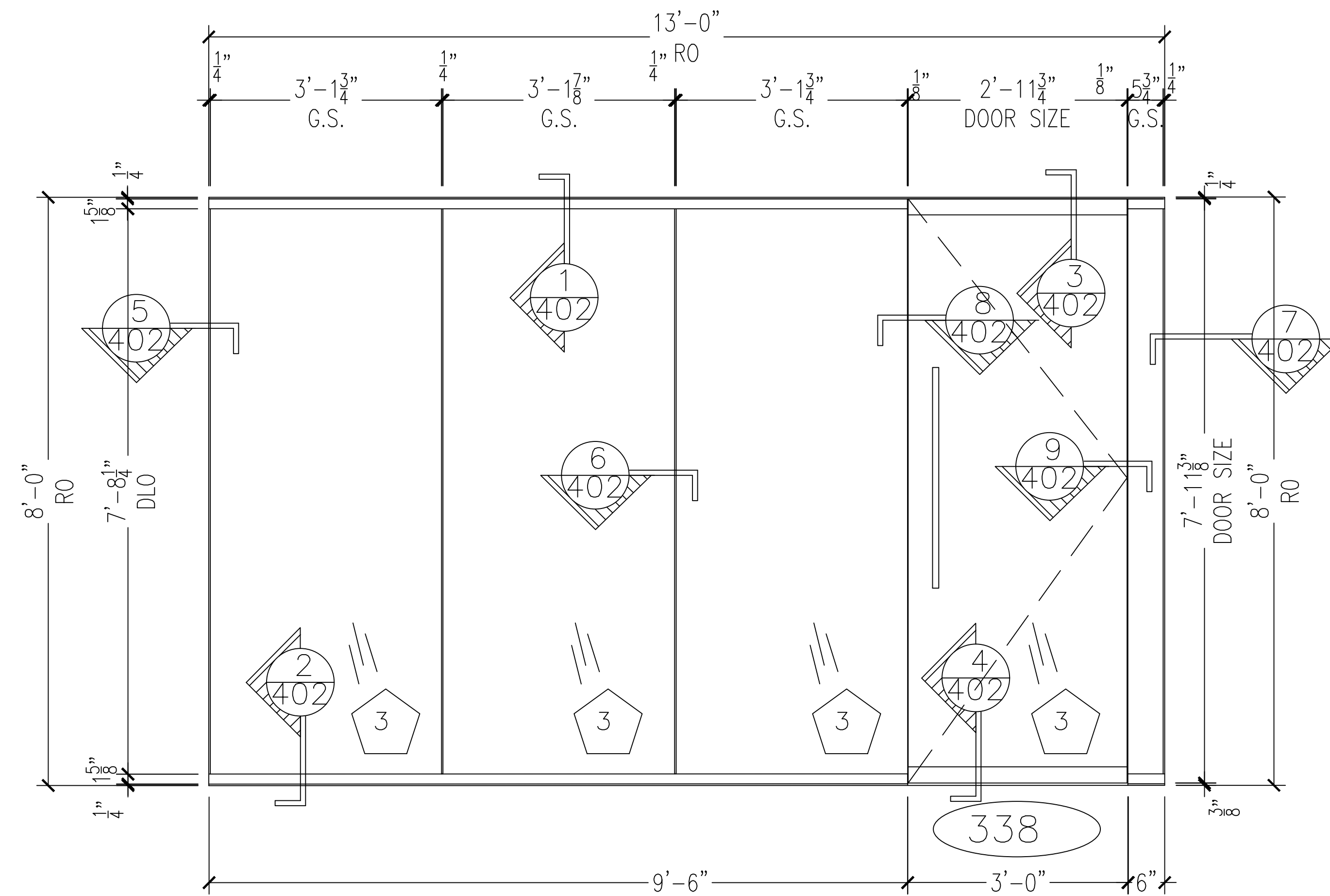
PROJECT NAME & LOCATION:
ALLSTATE INSURANCE COMPANY
CENTER POINTE I
1130 ROUTE 22 EAST
BRIDGEWATER, NJ 08807

SHEET TITLE:
ELEVATIONS

DRAFTSMAN:
KS DRAFTING & DESIGN, LLC.
KYLE SCHNECK
HARRISBURG, PA 17110
KYLE@KSDRAFTINGDESIGNLLC.COM
717-228-7114
KSDRAFTINGDESIGNLLC.COM

DRAWN BY: KYLE SCHNECK

DATE: 01/19/2017
SHEET: 215



CR LAURENCE U CHANNEL #UCSA3812240
 CR LAURENCE TOP/BOTTOM RAIL DR2SSA12S

QTY: 1

1 ELEVATION AT OPEN OFFICE 337, PLAN NORTH
 ARCH. REF.: N1/A19

NO.	REVISION/ISSUED	DATE
1	1ST SUBMITTAL	01/19/2017

PROJECT NAME & LOCATION:
 ALLSTATE INSURANCE COMPANY
 CENTER POINTE I
 1130 ROUTE 22 EAST
 BRIDGEWATER, NJ 08807

SHEET TITLE:
 ELEVATIONS

DRAFTSMAN:
 KS DRAFTING & DESIGN, LLC.
 KYLE SCHNECK
 HARRISBURG, PA 17110
 KYLE@KSDRAFTINGDESIGNLLC.COM
 717-228-7114
 KSDRAFTINGDESIGNLLC.COM

DRAWN BY: KYLE SCHNECK

DATE: 01/19/2017

SHEET: 216

NO.	REVISION/ISSUED	DATE
1	1ST SUBMITTAL	01/19/2017

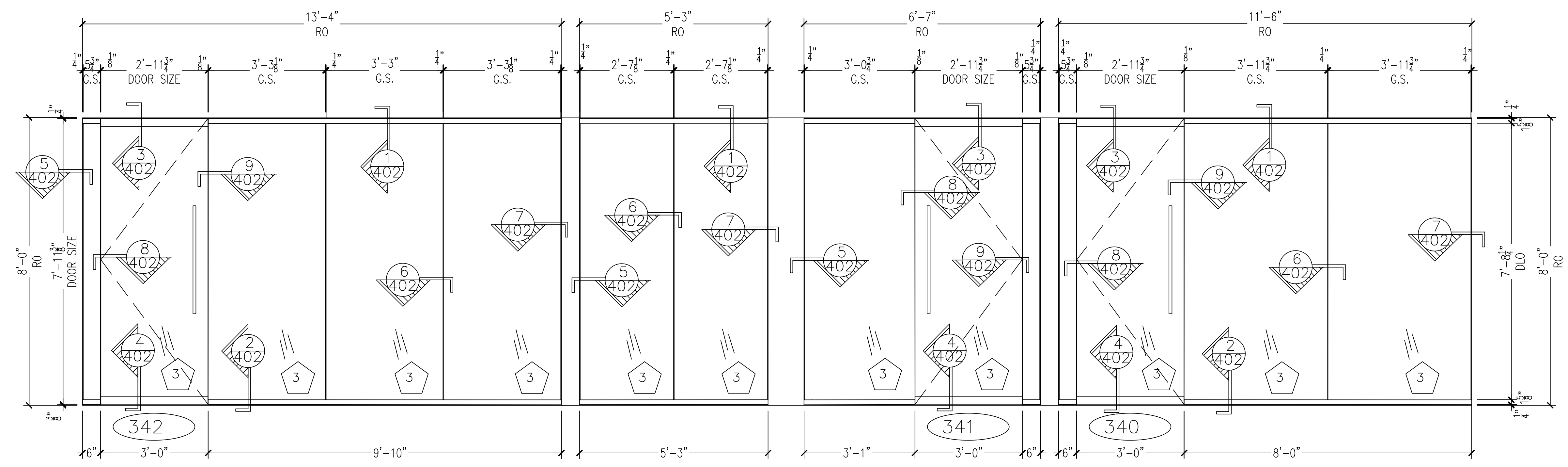
PROJECT NAME & LOCATION:
ALLSTATE INSURANCE COMPANY
CENTER POINTE I
1130 ROUTE 22 EAST
BRIDGEWATER, NJ 08807

SHEET TITLE:
ELEVATIONS

DRAFTSMAN:
 KS DRAFTING & DESIGN, LLC.
 KYLE SCHNECK
 HARRISBURG, PA 17110
 KYLE@KSDRAFTINGDESIGNLLC.COM
 717-228-7114
 KSDRAFTINGDESIGNLLC.COM

DRAWN BY: **KYLE SCHNECK**

DATE: **01/19/2017** SHEET: **217**

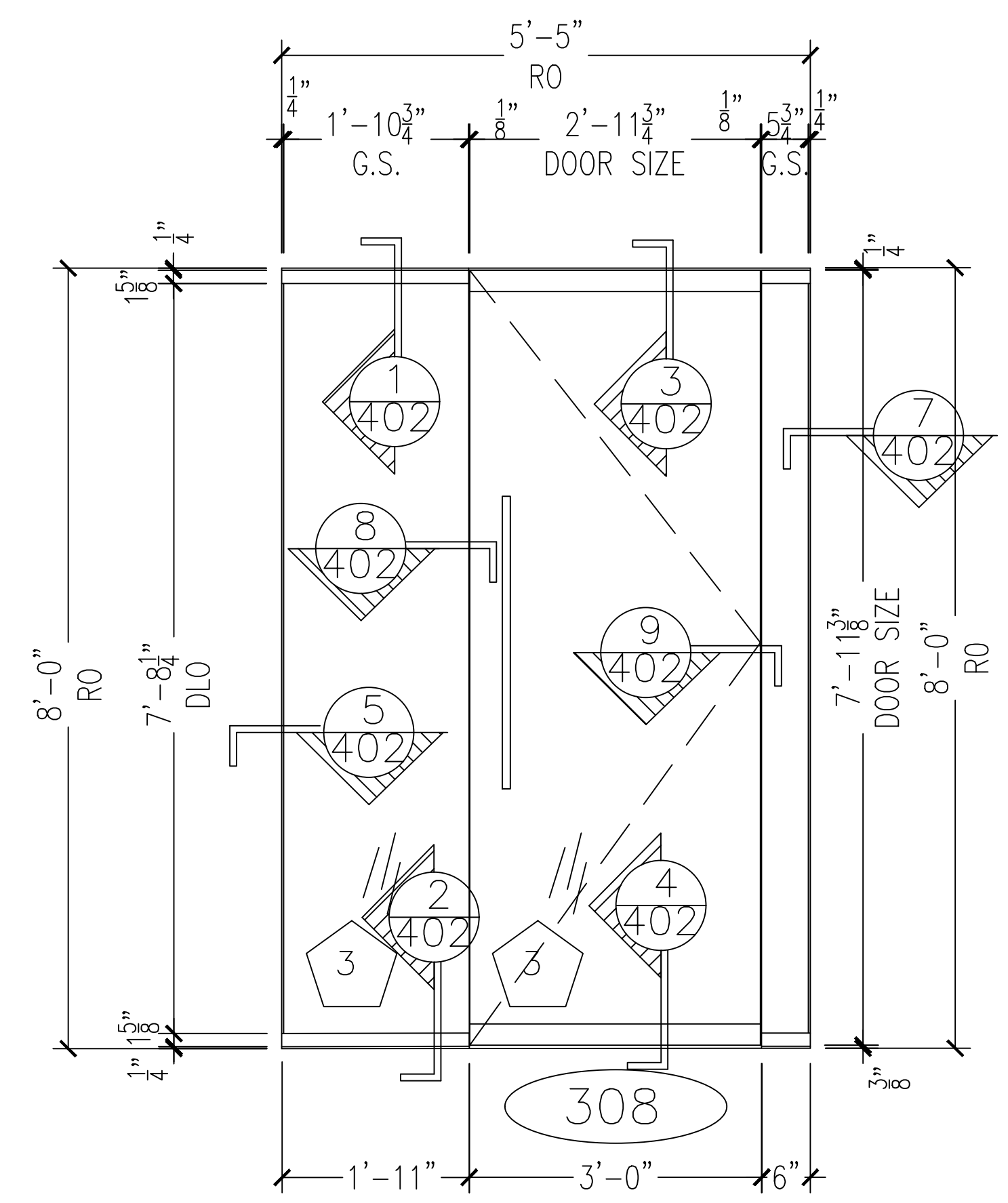


CR LAURENCE U CHANNEL #UCSA3812240
 CR LAURENCE TOP/BOTTOM RAIL DR2SSA12S

QTY: 1

1 ELEVATION AT OPEN OFFICE 343, PLAN NORTH
 ARCH. REF.: N7/A19

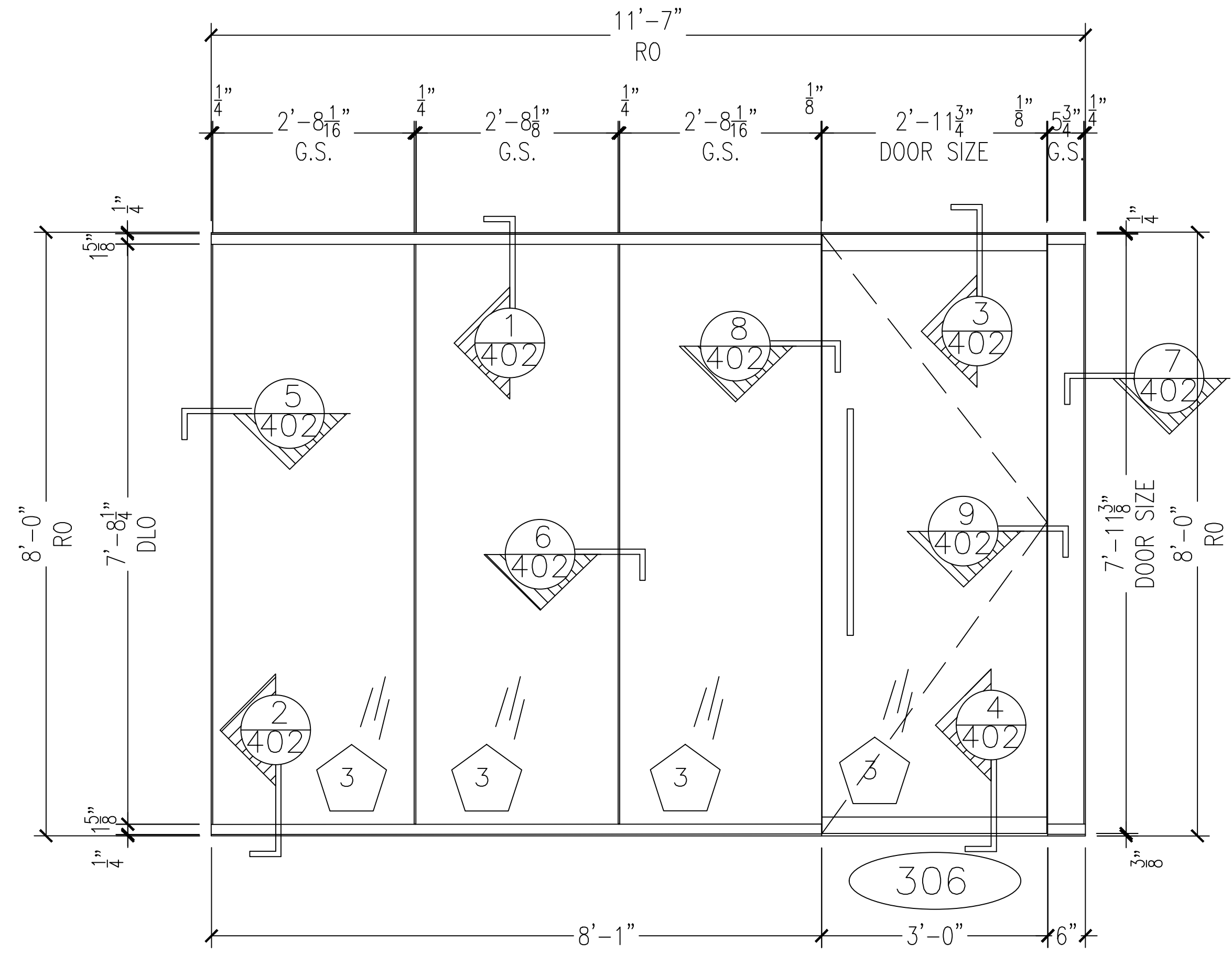
NO.	REVISION/ISSUED	DATE
1	1ST SUBMITTAL	01/19/2017



CR LAURENCE U CHANNEL #UCSA3812240
 CR LAURENCE TOP/BOTTOM RAIL DR2SSA12S

QTY: 1

1 ELEVATION AT PRES. CONF. 308
 ARCH. REF.: N21/A19



CR LAURENCE U CHANNEL #UCSA3812240
 CR LAURENCE TOP/BOTTOM RAIL DR2SSA12S

QTY: 1

2 ELEVATION AT OPEN OFFICE 305, PLAN EAST
 ARCH. REF.: J1/A19

PROJECT NAME & LOCATION:
 ALLSTATE INSURANCE COMPANY
 CENTER POINTE I
 1130 ROUTE 22 EAST
 BRIDGEWATER, NJ 08807

SHEET TITLE:
 ELEVATIONS

DRAFTSMAN:
 KS DRAFTING & DESIGN, LLC.
 KYLE SCHNECK
 HARRISBURG, PA 17110
 KYLE@KSDRAFTINGDESIGNLLC.COM
 717-228-7114
 KSDRAFTINGDESIGNLLC.COM

DRAWN BY: KYLE SCHNECK

DATE: 01/19/2017 SHEET: 218

NO.	REVISION/ISSUED	DATE
1	1ST SUBMITTAL	01/19/2017

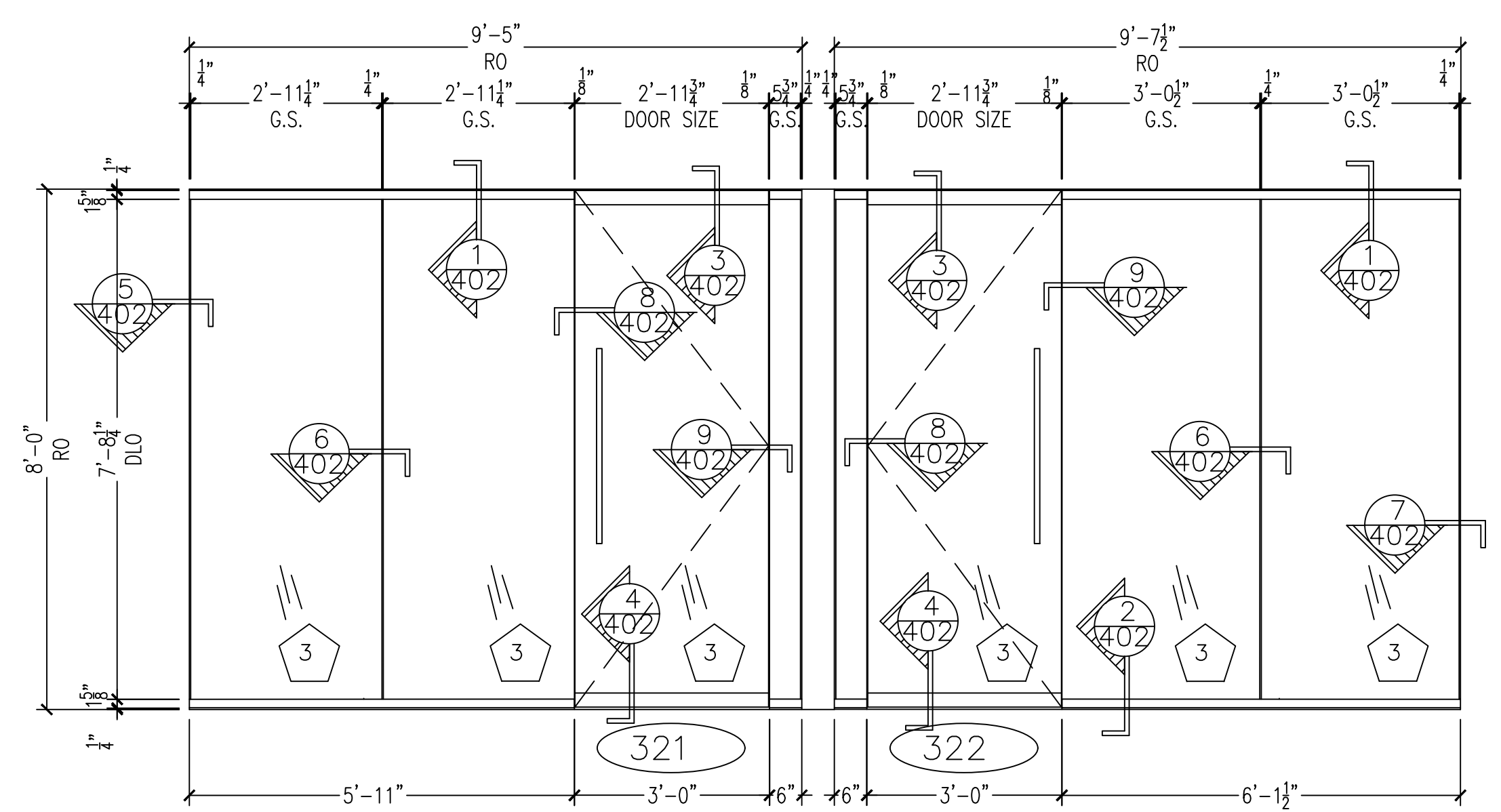
PROJECT NAME & LOCATION:
ALLSTATE INSURANCE COMPANY
CENTER POINTE I
1130 ROUTE 22 EAST
BRIDGEWATER, NJ 08807

SHEET TITLE:
ELEVATIONS

DRAFTSMAN:
 KS DRAFTING & DESIGN, LLC.
 KYLE SCHNECK
 HARRISBURG, PA 17110
 KYLE@KSDRAFTINGDESIGNLLC.COM
 717-228-7114
 KSDRAFTINGDESIGNLLC.COM

DRAWN BY: **KYLE SCHNECK**

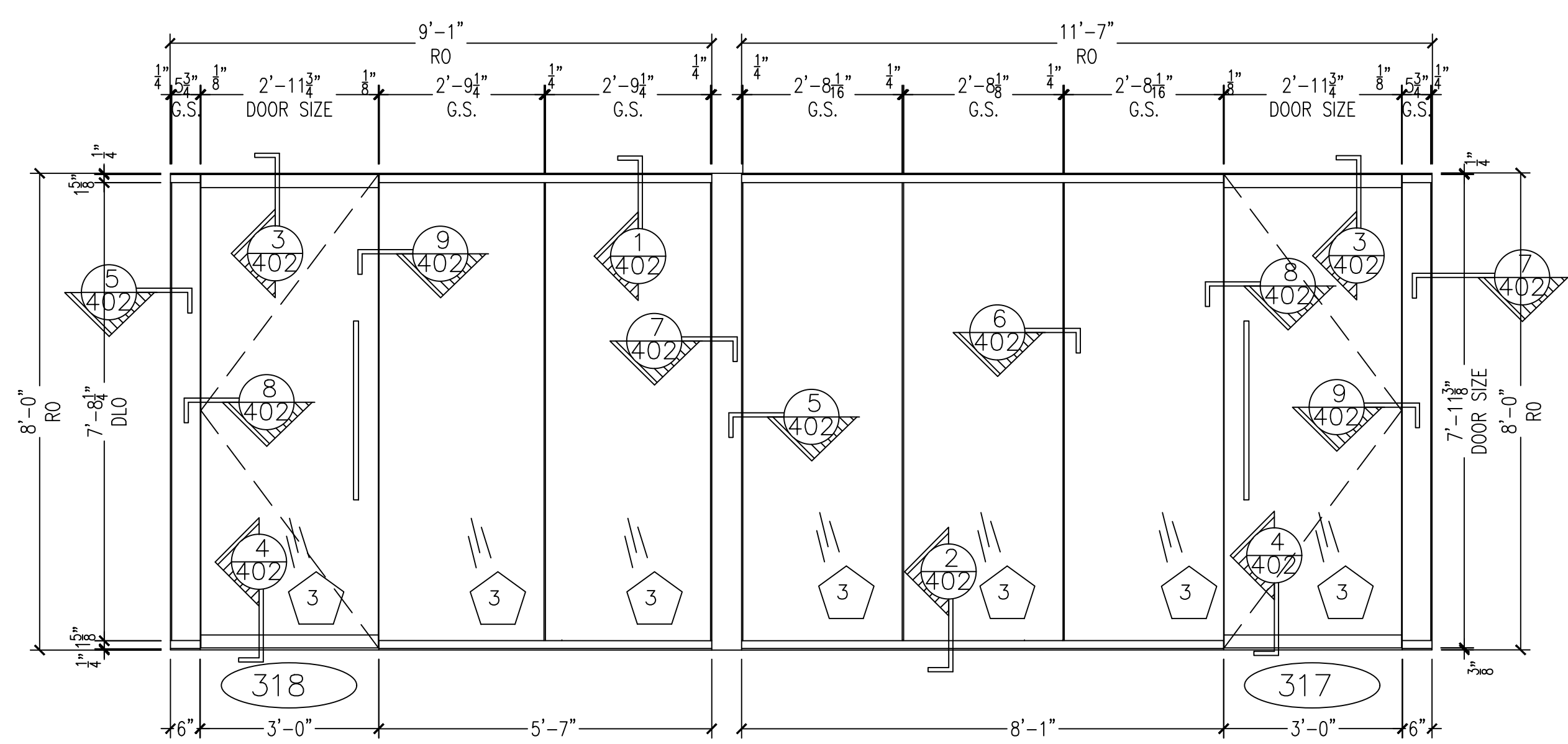
DATE: **01/19/2017** SHEET: **219**



CR LAURENCE U CHANNEL #UCSA3812240
 CR LAURENCE TOP/BOTTOM RAIL DR2SSA12S

QTY: 1

1 ELEVATION AT OPEN OFFICE 320, PLAN EAST
 ARCH. REF.: J7/A19



CR LAURENCE U CHANNEL #UCSA3812240
 CR LAURENCE TOP/BOTTOM RAIL DR2SSA12S

QTY: 1

2 ELEVATION AT CORRIDOR 301, PLAN EAST
 ARCH. REF.: J15/A19

NO.	REVISION/ISSUED	DATE
1	1ST SUBMITTAL	01/19/2017

PROJECT NAME & LOCATION:
 ALLSTATE INSURANCE COMPANY
 CENTER POINTE I
 1130 ROUTE 22 EAST
 BRIDGEWATER, NJ 08807

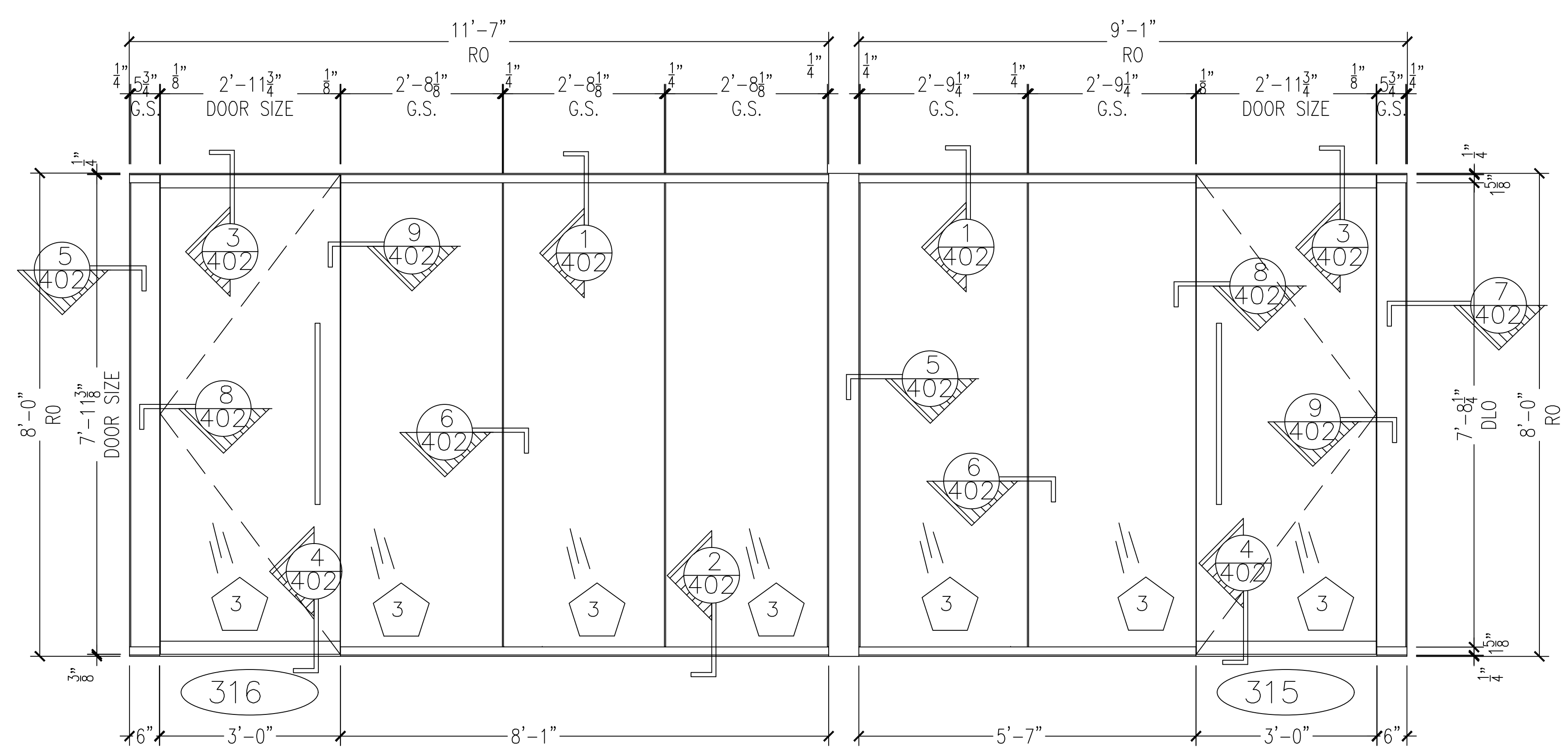
SHEET TITLE:
 ELEVATIONS

DRAFTSMAN:
 KS DRAFTING & DESIGN, LLC.
 KYLE SCHNECK
 HARRISBURG, PA 17110
 KYLE@KSDRAFTINGDESIGNLLC.COM
 717-228-7114
 KSDRAFTINGDESIGNLLC.COM

DRAWN BY: KYLE SCHNECK

DATE: 01/19/2017

SHEET: 220



CR LAURENCE U CHANNEL #UCSA3812240
 CR LAURENCE TOP/BOTTOM RAIL DR2SSA12S

QTY: 1

1 ELEVATION AT CORRIDOR 301, PLAN WEST
 ARCH. REF.: E1/A19

NO.	REVISION/ISSUED	DATE
1	1ST SUBMITTAL	01/19/2017

PROJECT NAME & LOCATION:
 ALLSTATE INSURANCE COMPANY
 CENTER POINTE I
 1130 ROUTE 22 EAST
 BRIDGEWATER, NJ 08807

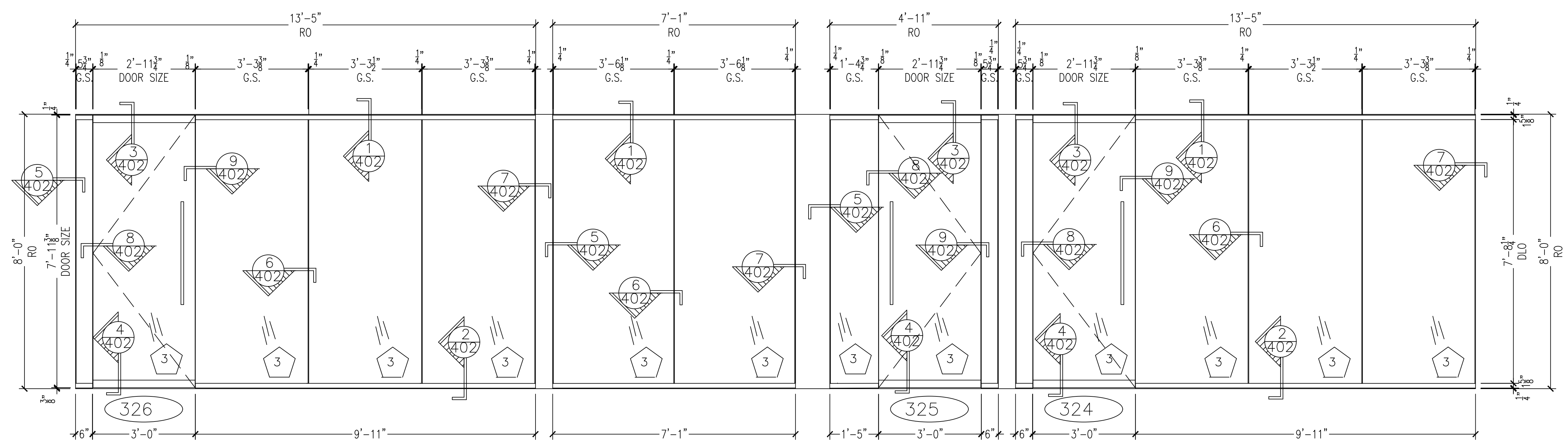
SHEET TITLE:
 ELEVATIONS

DRAFTSMAN:
 KS DRAFTING & DESIGN, LLC.
 KYLE SCHNECK
 HARRISBURG, PA 17110
 KYLE@KSDRAFTINGDESIGNLLC.COM
 717-228-7114
 KSDRAFTINGDESIGNLLC.COM

DRAWN BY: KYLE SCHNECK

DATE: 01/19/2017

SHEET: 221



CR LAURENCE U CHANNEL #UCSA3812240
 CR LAURENCE TOP/BOTTOM RAIL DR2SSA12S

QTY: 1

1 ELEVATION AT OPEN OFFICE 327, PLAN SOUTH
 ARCH. REF.: E10/A19

NO.	REVISION/ISSUED	DATE
1	1ST SUBMITTAL	01/19/2017

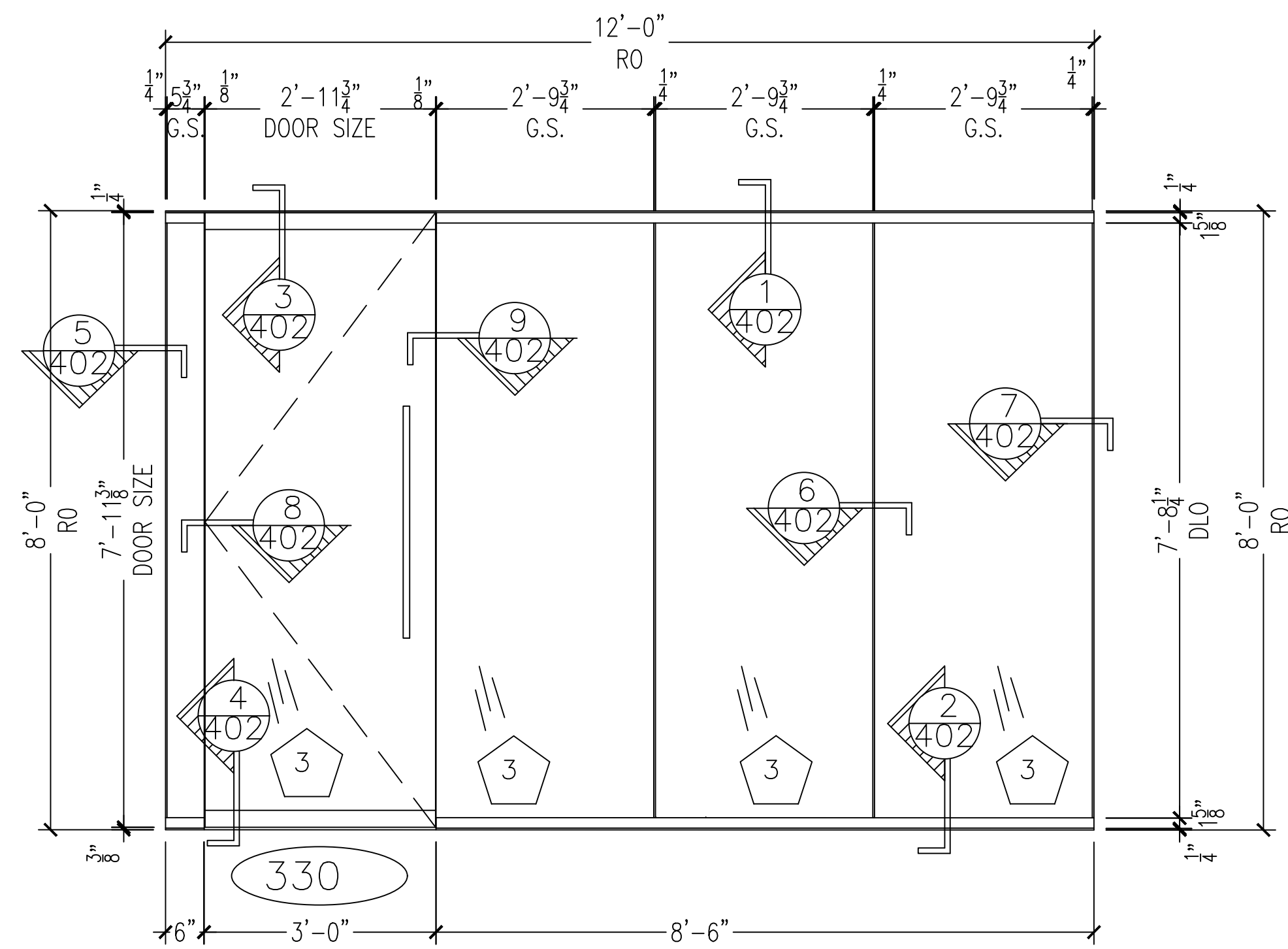
PROJECT NAME & LOCATION:
ALLSTATE INSURANCE COMPANY
CENTER POINTE I
1130 ROUTE 22 EAST
BRIDGEWATER, NJ 08807

SHEET TITLE:
ELEVATIONS

DRAFTSMAN:
 KS DRAFTING & DESIGN, LLC.
 KYLE SCHNECK
 HARRISBURG, PA 17110
 KYLE@KSDRAFTINGDESIGNLLC.COM
 717-228-7114
 KSDRAFTINGDESIGNLLC.COM

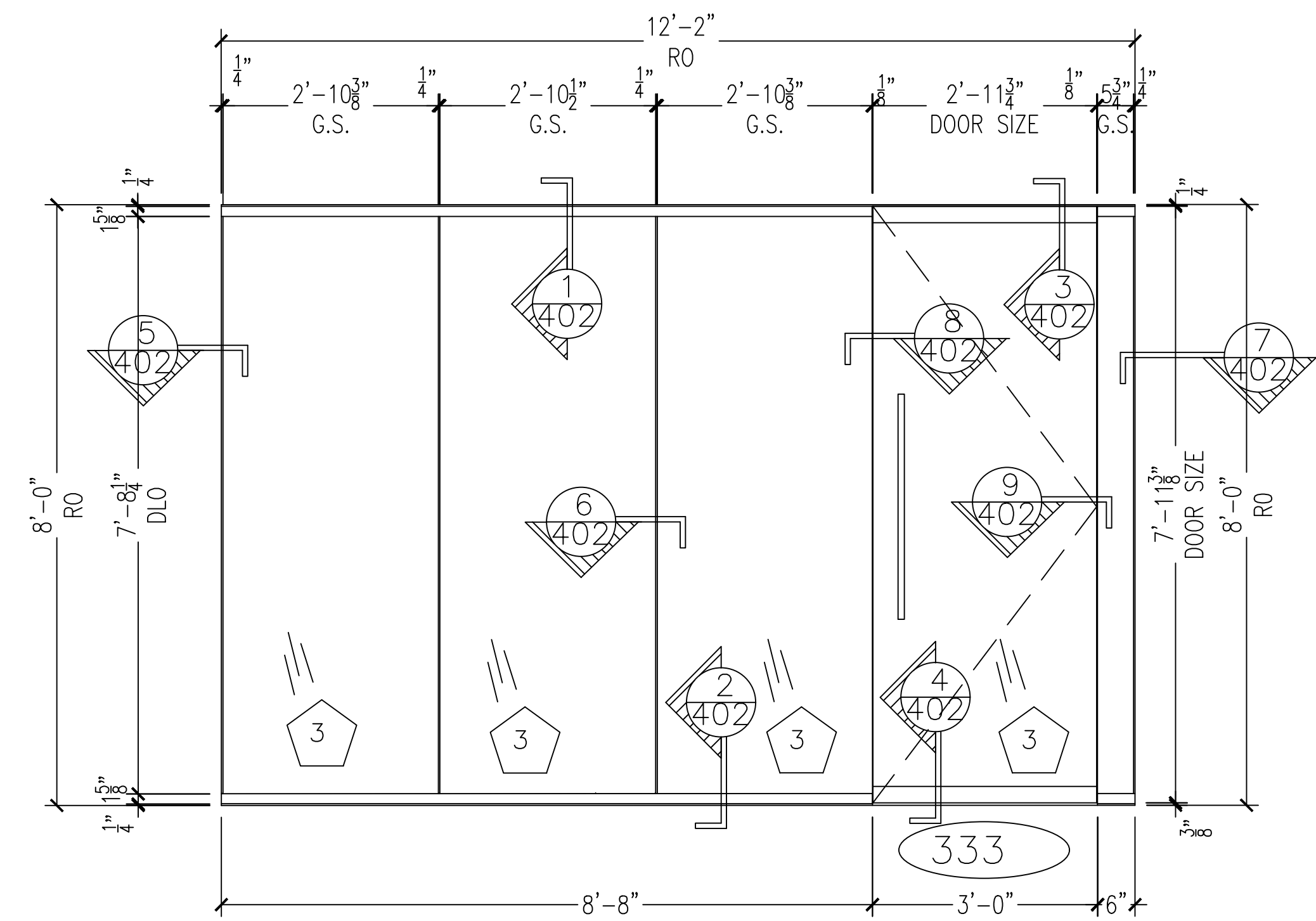
DRAWN BY: **KYLE SCHNECK**

DATE: **01/19/2017** SHEET: **222**



CR LAURENCE U CHANNEL #UCSA3812240
 CR LAURENCE TOP/BOTTOM RAIL DR2SSA12S
 QTY: 1

① ELEVATION AT OPEN OFFICE 328, PLAN WEST
 ARCH. REF.: A1/A19



CR LAURENCE U CHANNEL #UCSA3812240
 CR LAURENCE TOP/BOTTOM RAIL DR2SSA12S
 QTY: 1

② ELEVATION AT OPEN OFFICE 336 PLAN WEST
 ARCH. REF.: A7/A19

NO.	REVISION/ISSUED	DATE
1	1ST SUBMITTAL	01/19/2017

PROJECT NAME & LOCATION:
ALLSTATE INSURANCE COMPANY
CENTER POINTE I
1130 ROUTE 22 EAST
BRIDGEWATER, NJ 08807

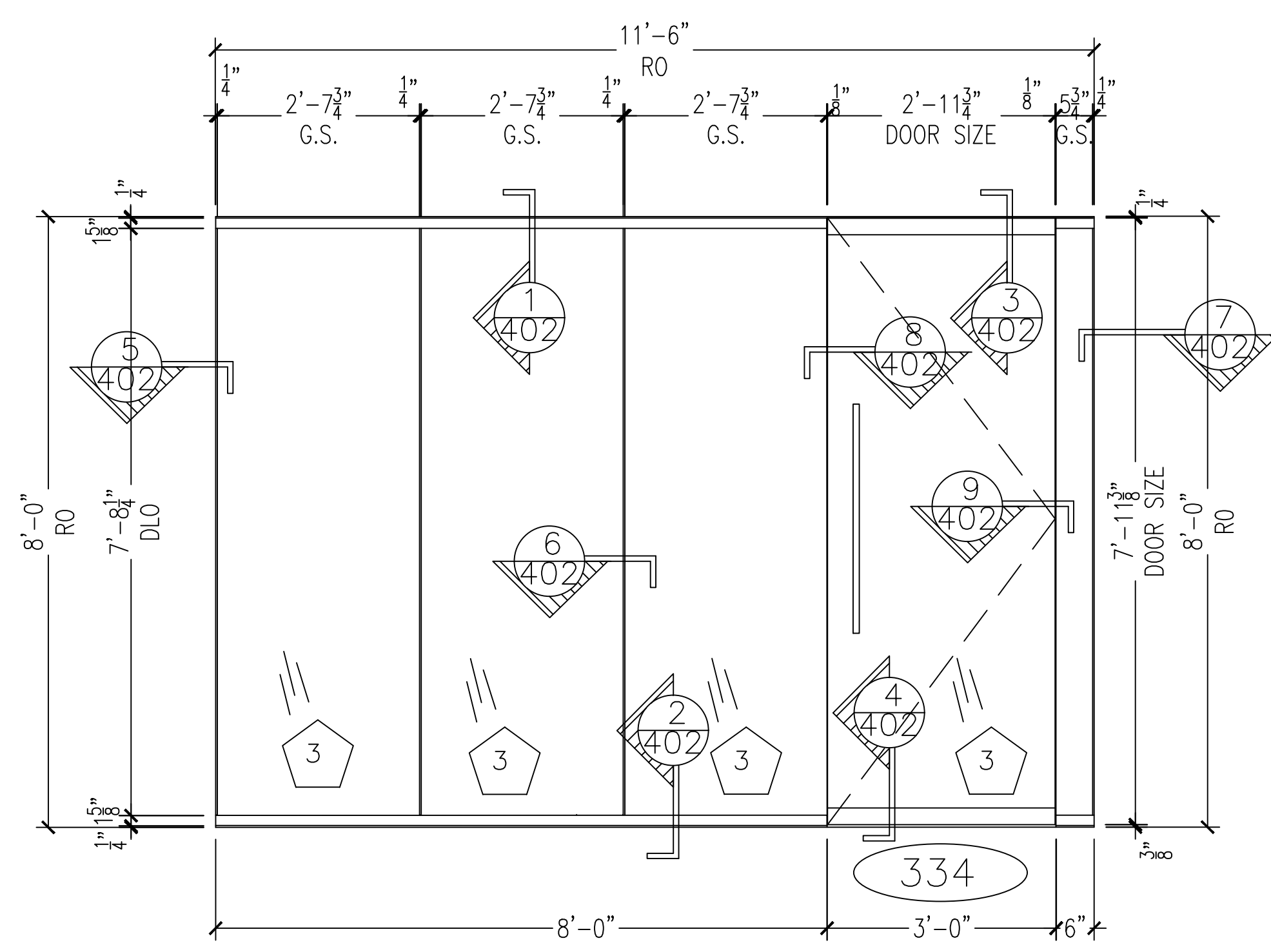
SHEET TITLE:
ELEVATIONS

DRAFTSMAN:
 KS DRAFTING & DESIGN, LLC.
 KYLE SCHNECK
 HARRISBURG, PA 17110
 KYLE@KSDRAFTINGDESIGNLLC.COM
 717-228-7114
 KSDRAFTINGDESIGNLLC.COM

DRAWN BY: **KYLE SCHNECK**

DATE: **01/19/2017**

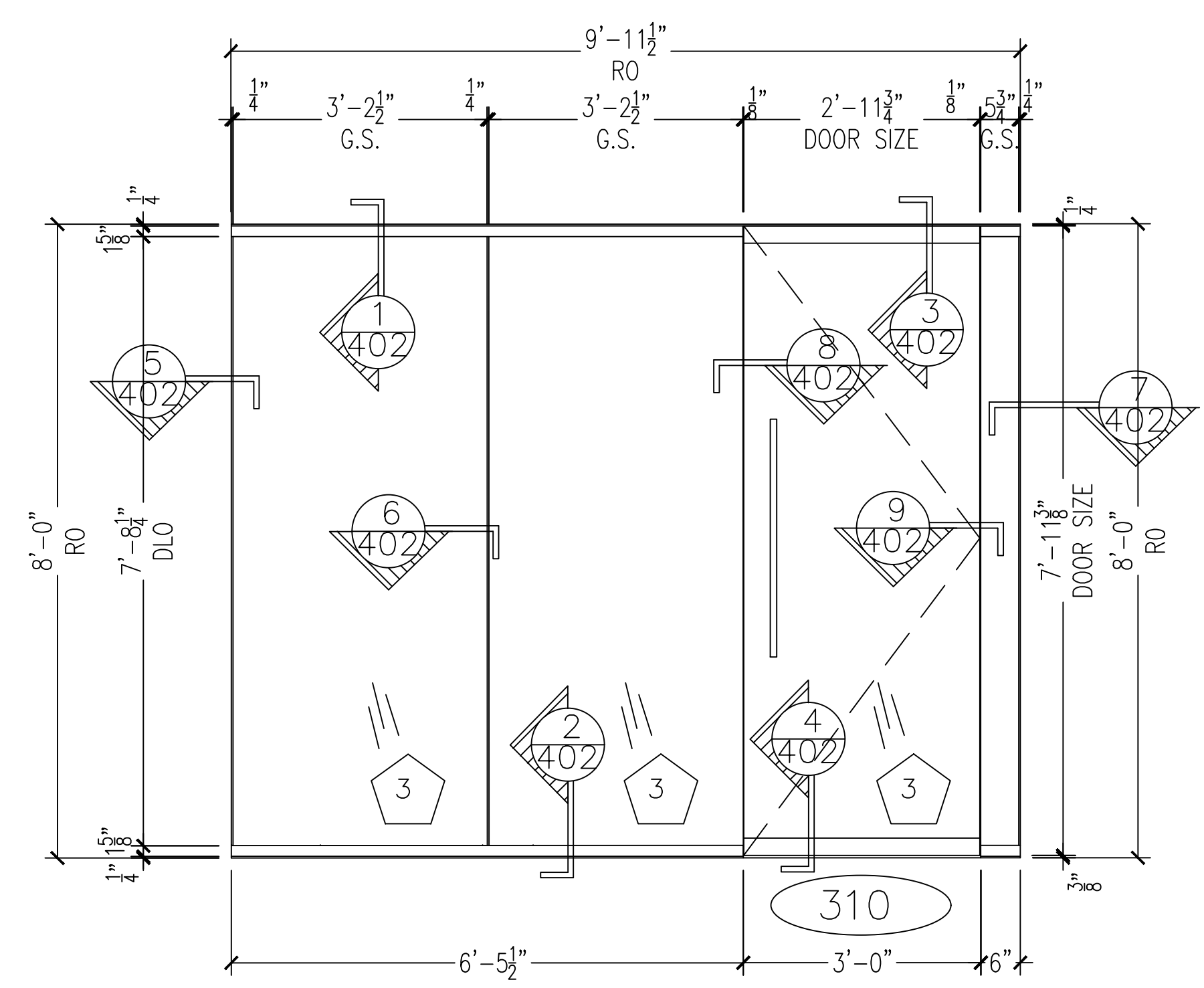
SHEET: **223**



CR LAURENCE U CHANNEL #UCSA3812240
 CR LAURENCE TOP/BOTTOM RAIL DR2SSA12S

QTY: 1

1 ELEVATION AT OPEN OFFICE 336 PLAN WEST
 ARCH. REF.: A13/A19

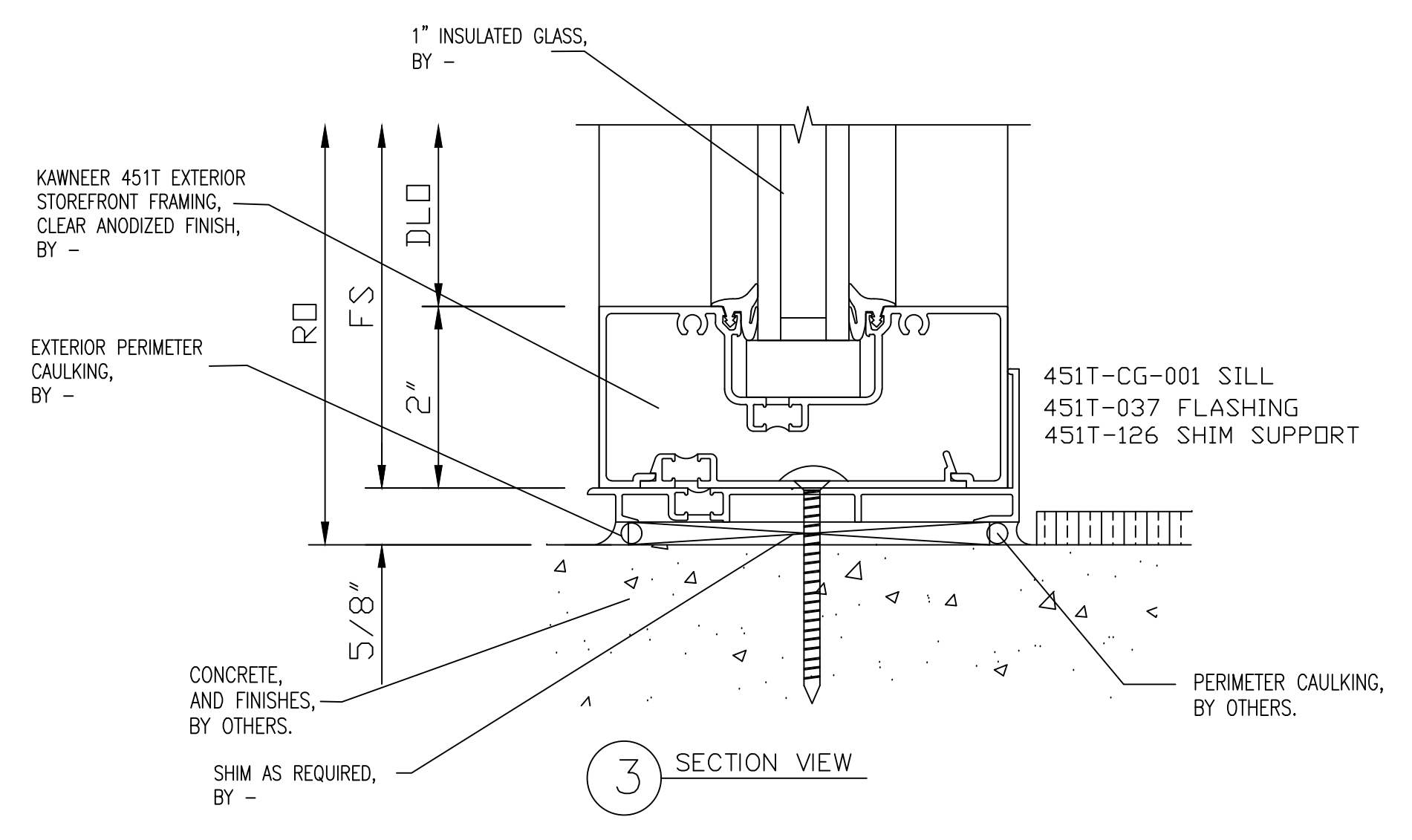
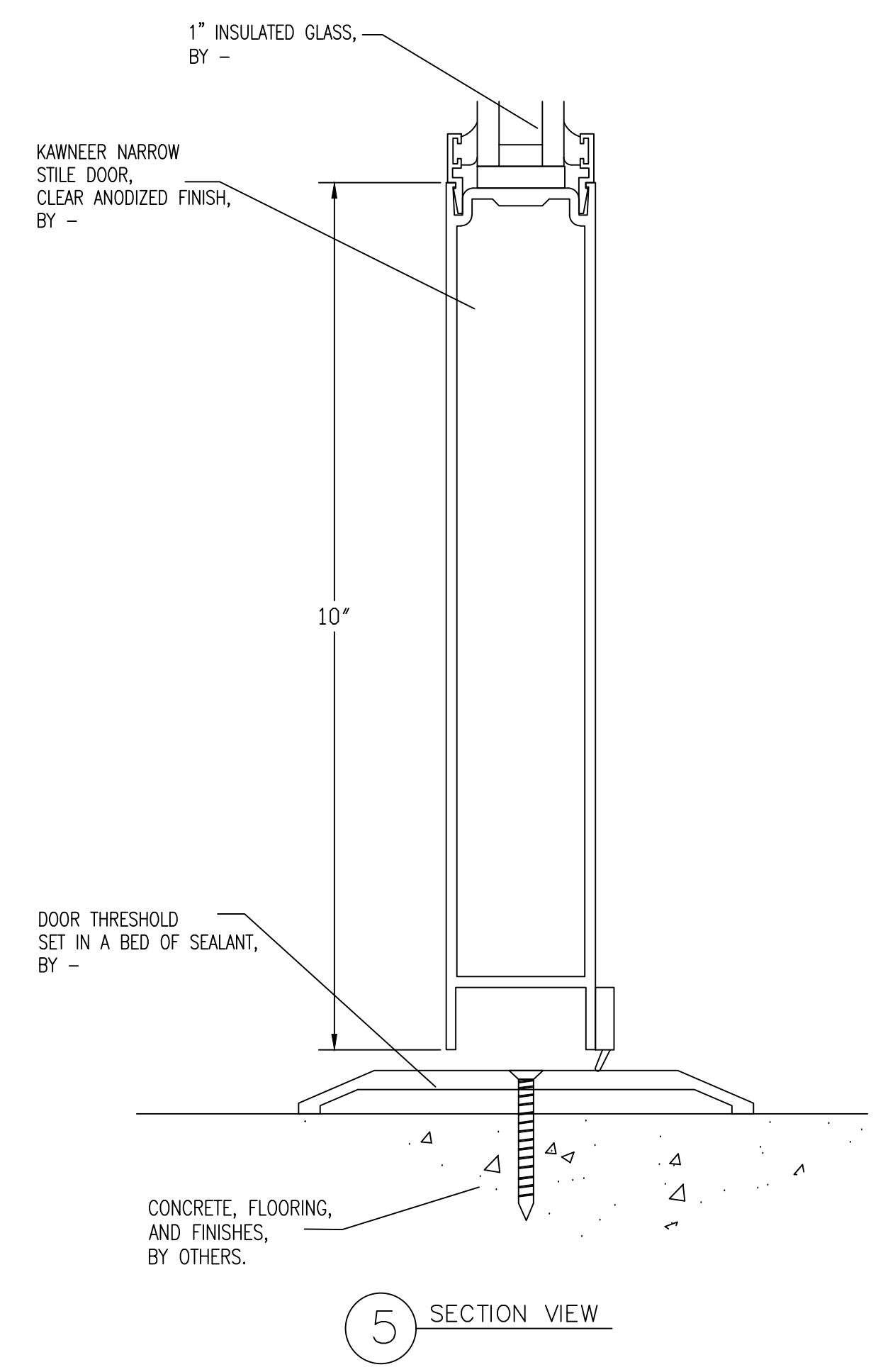
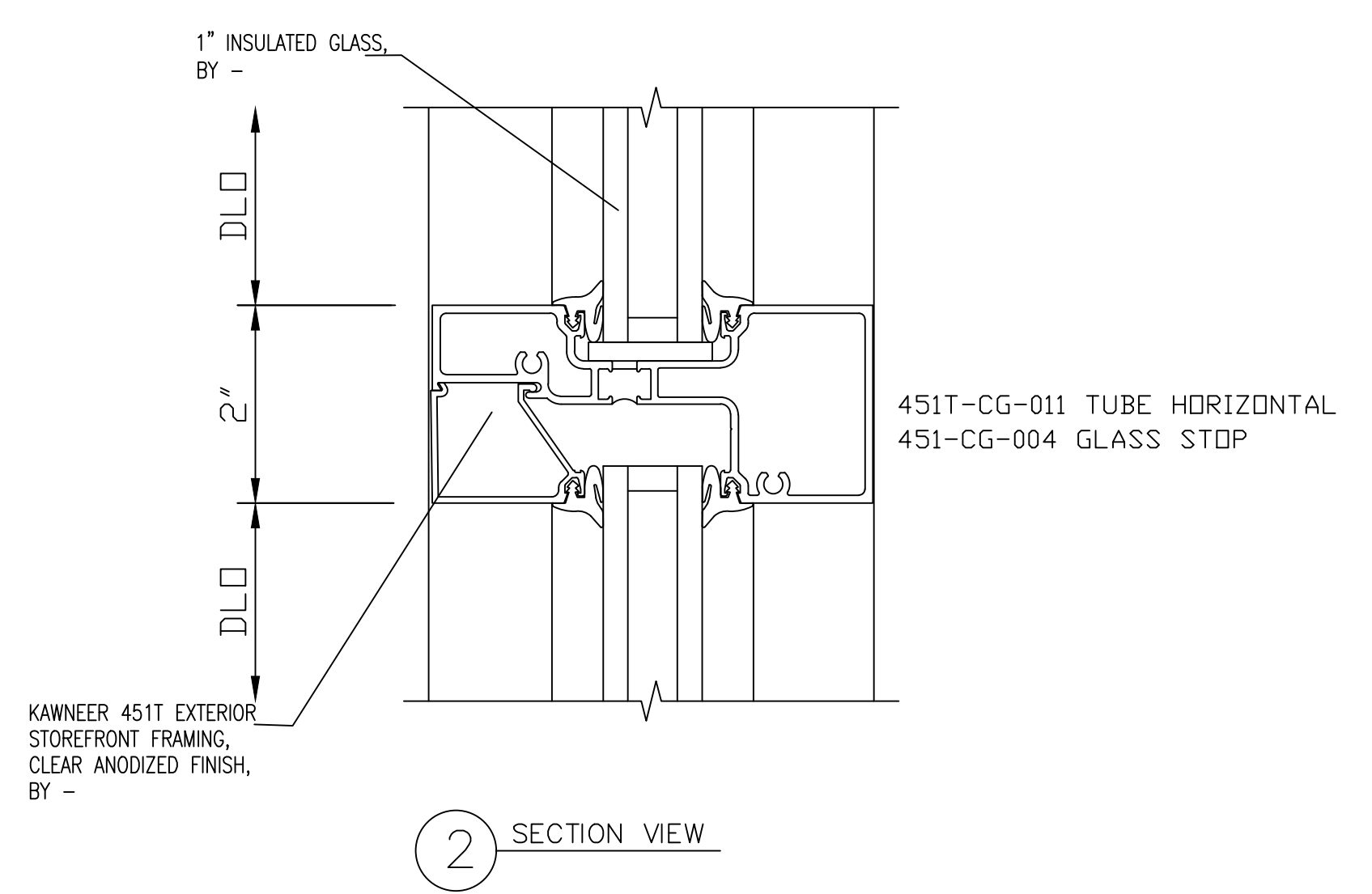
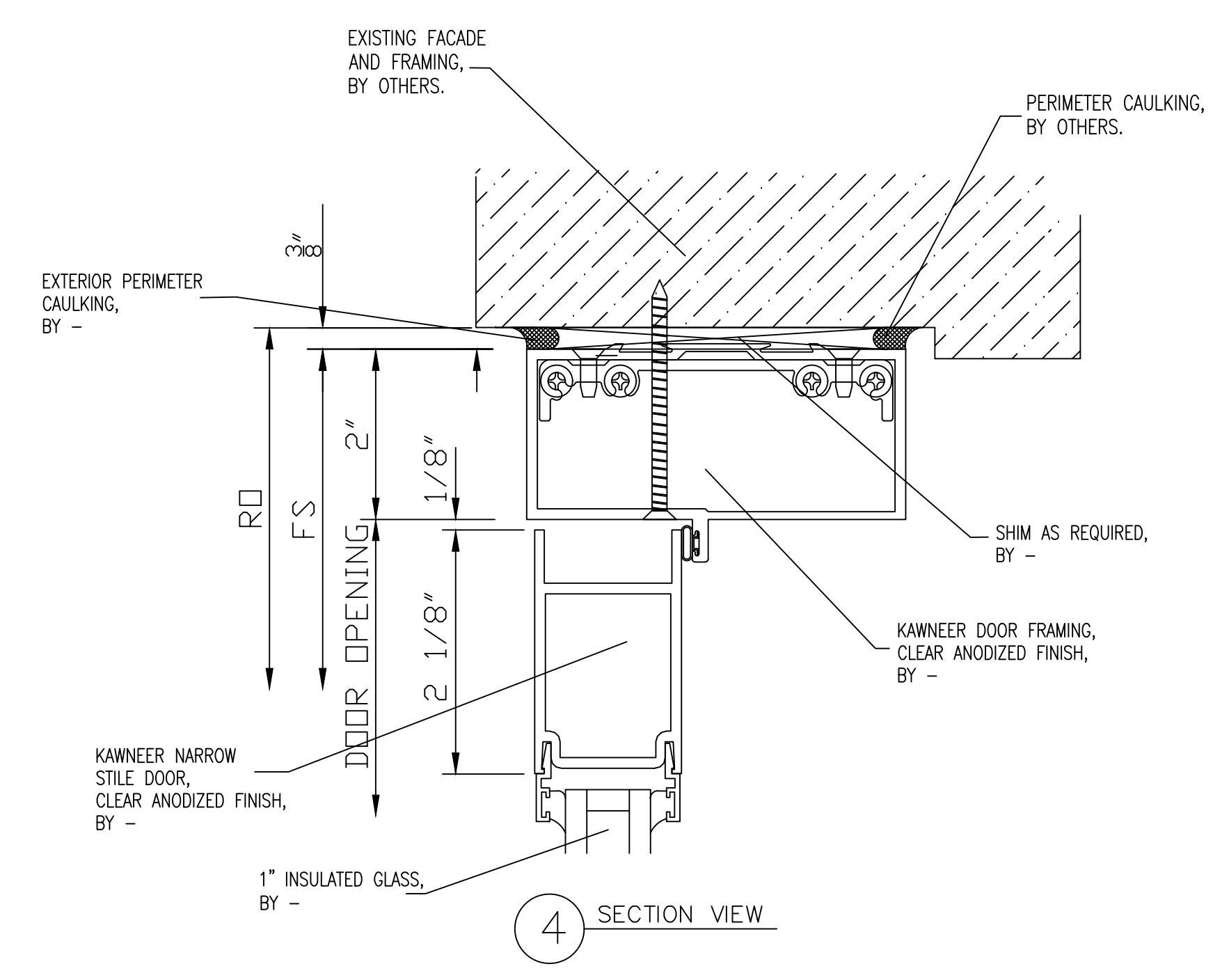
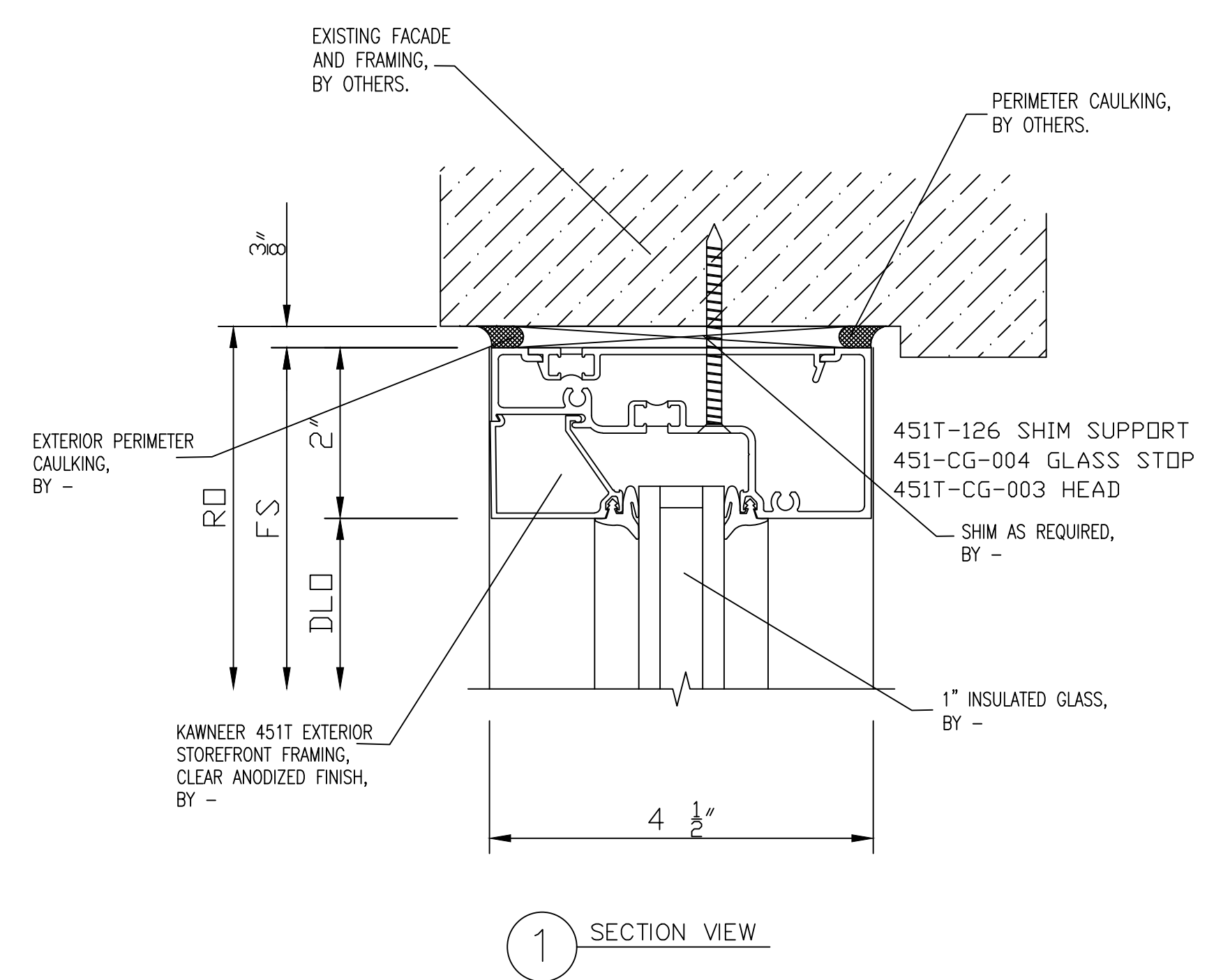


CR LAURENCE U CHANNEL #UCSA3812240
 CR LAURENCE TOP/BOTTOM RAIL DR2SSA12S

QTY: 1

2 ELEVATION AT ADMIN. 309, PLAN EAST
 ARCH. REF.: A19/A19

NO.	REVISION/ISSUED	DATE
1	1ST SUBMITTAL	01/19/2017



PROJECT NAME & LOCATION:
ALLSTATE INSURANCE COMPANY
CENTER POINTE I
1130 ROUTE 22 EAST
BRIDGEWATER, NJ 08807

SHEET TITLE:
DETAILS

DRAFTSMAN:
 KS DRAFTING & DESIGN, LLC.
 KYLE SCHNECK
 HARRISBURG, PA 17110
 KYLE@KSDRAFTINGDESIGNLLC.COM
 717-228-7114
 KSDRAFTINGDESIGNLLC.COM

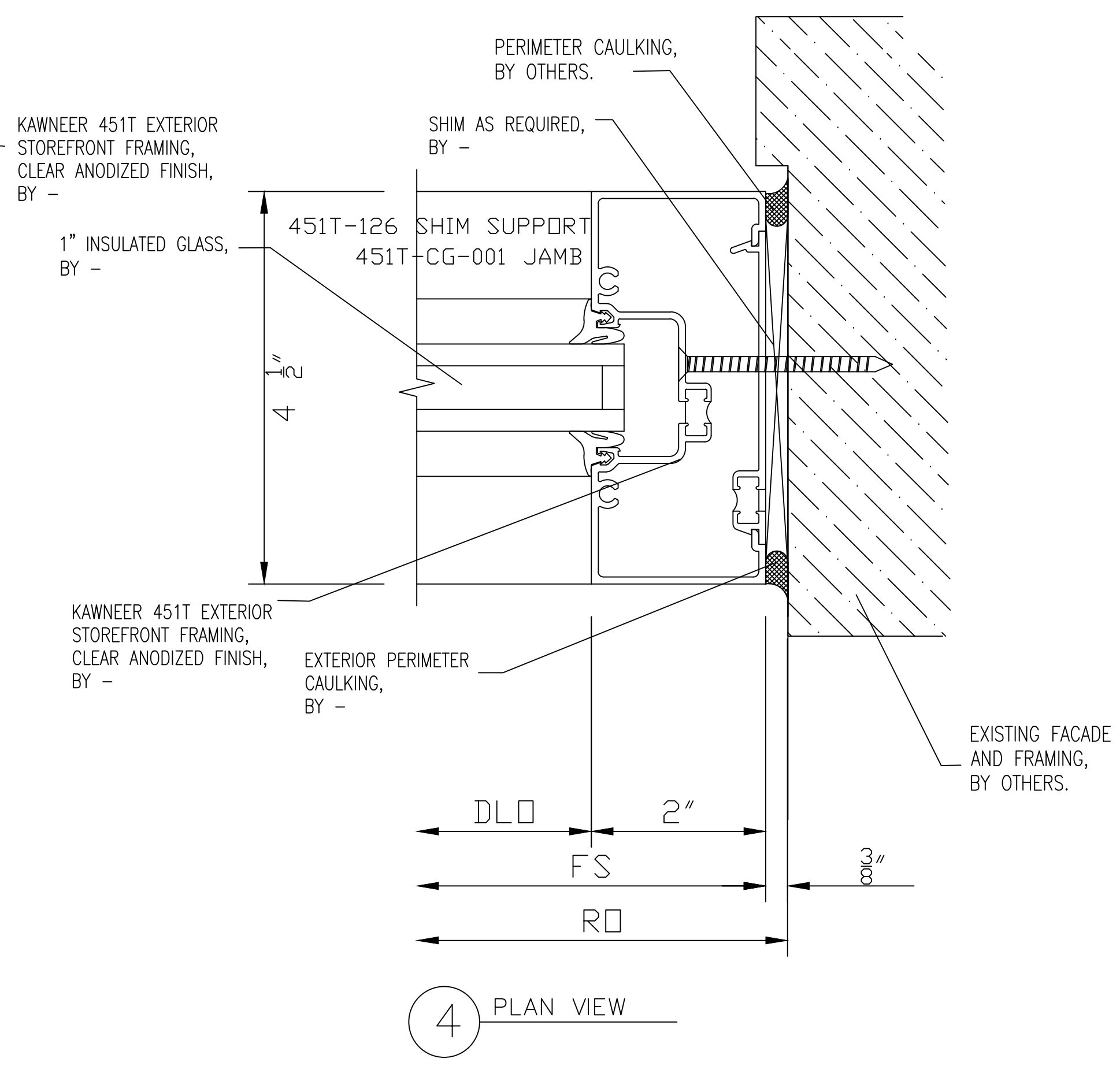
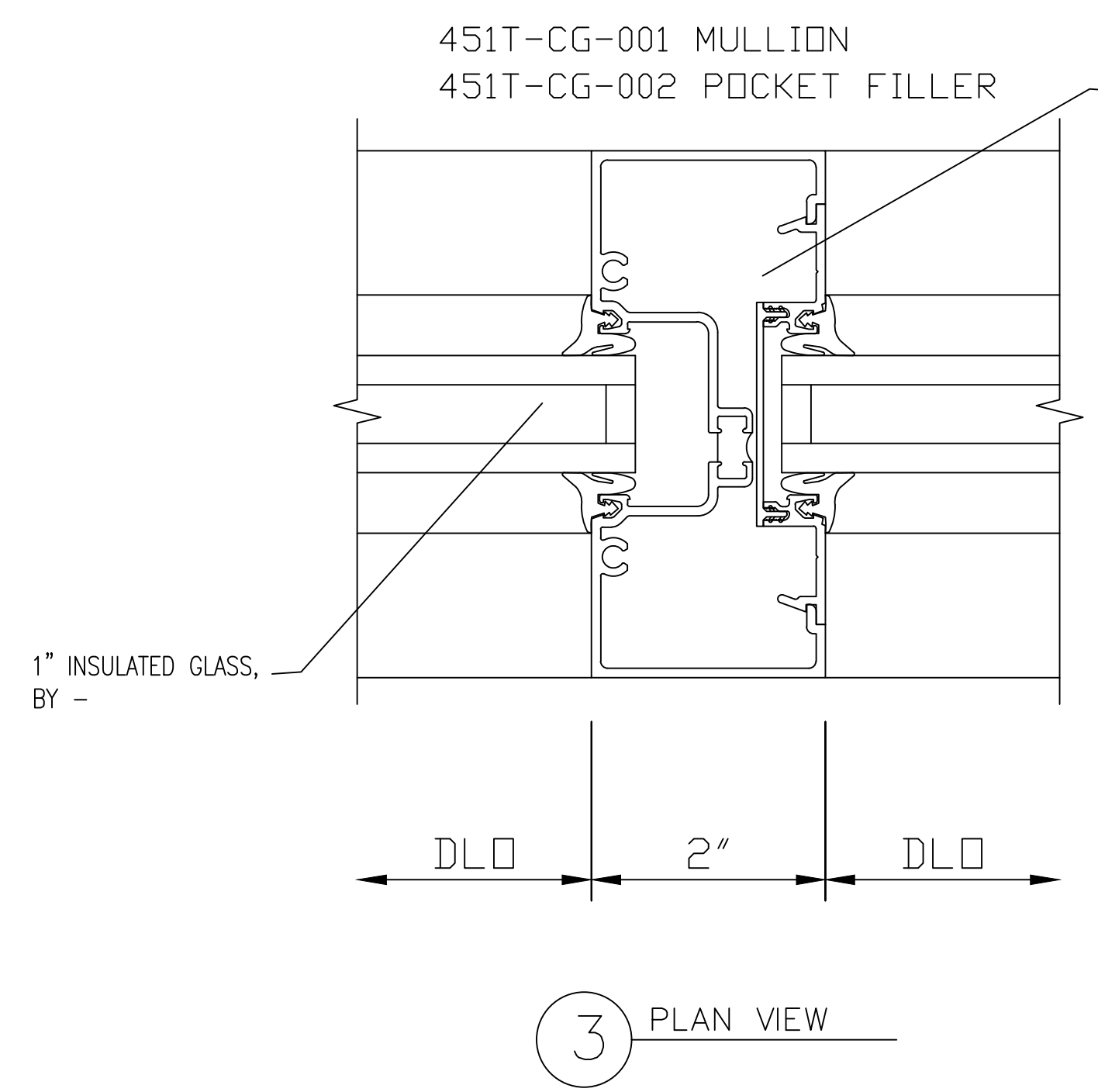
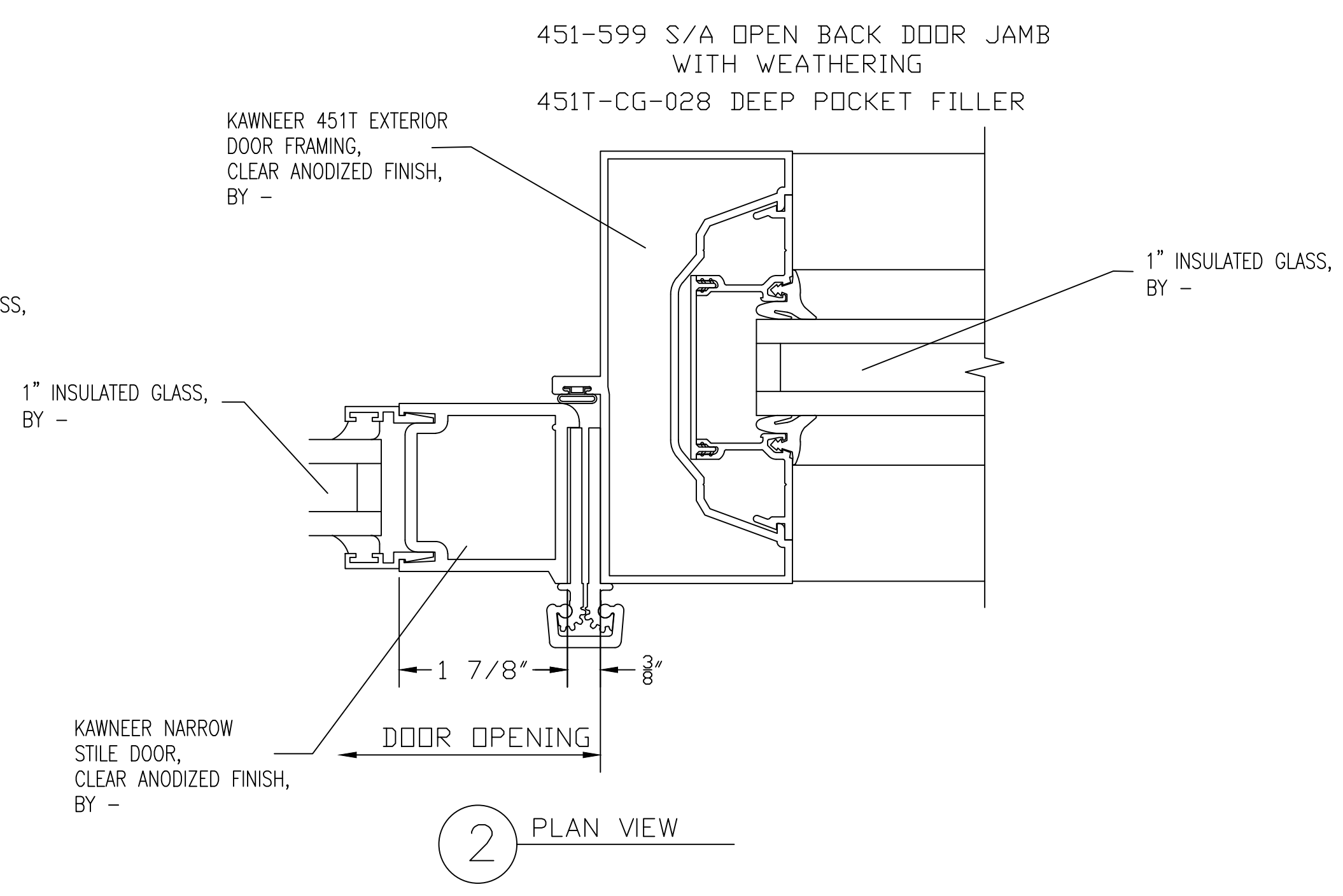
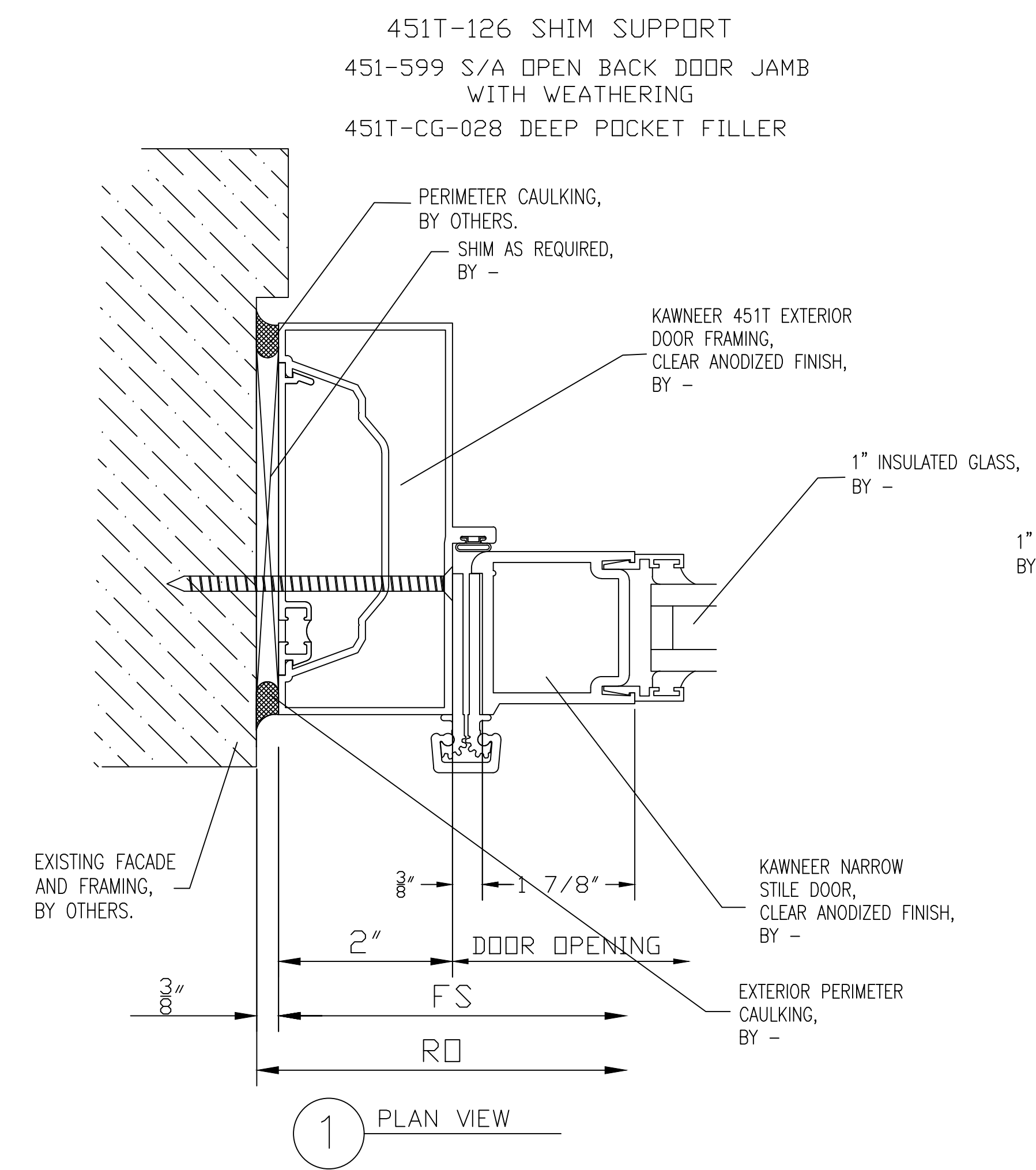
Blank area for notes or additional information.

DRAWN BY: **KYLE SCHNECK**

DATE: **01/19/2017**

SHEET: **400**

NO.	REVISION/ISSUED	DATE
1	1ST SUBMITTAL	01/19/2017



PROJECT NAME & LOCATION:
ALLSTATE INSURANCE COMPANY
CENTER POINTE I
1130 ROUTE 22 EAST
BRIDGEWATER, NJ 08807

SHEET TITLE:
DETAILS

DRAFTSMAN:
KS DRAFTING & DESIGN, LLC.
KYLE SCHNECK
HARRISBURG, PA 17110
KYLE@KSDRAFTINGDESIGNLLC.COM
717-228-7114
KSDRAFTINGDESIGNLLC.COM

DRAWN BY:
KYLE SCHNECK

DATE: 01/19/2017

SHEET:
401

NO.	REVISION/ISSUED	DATE
1	1ST SUBMITTAL	01/19/2017

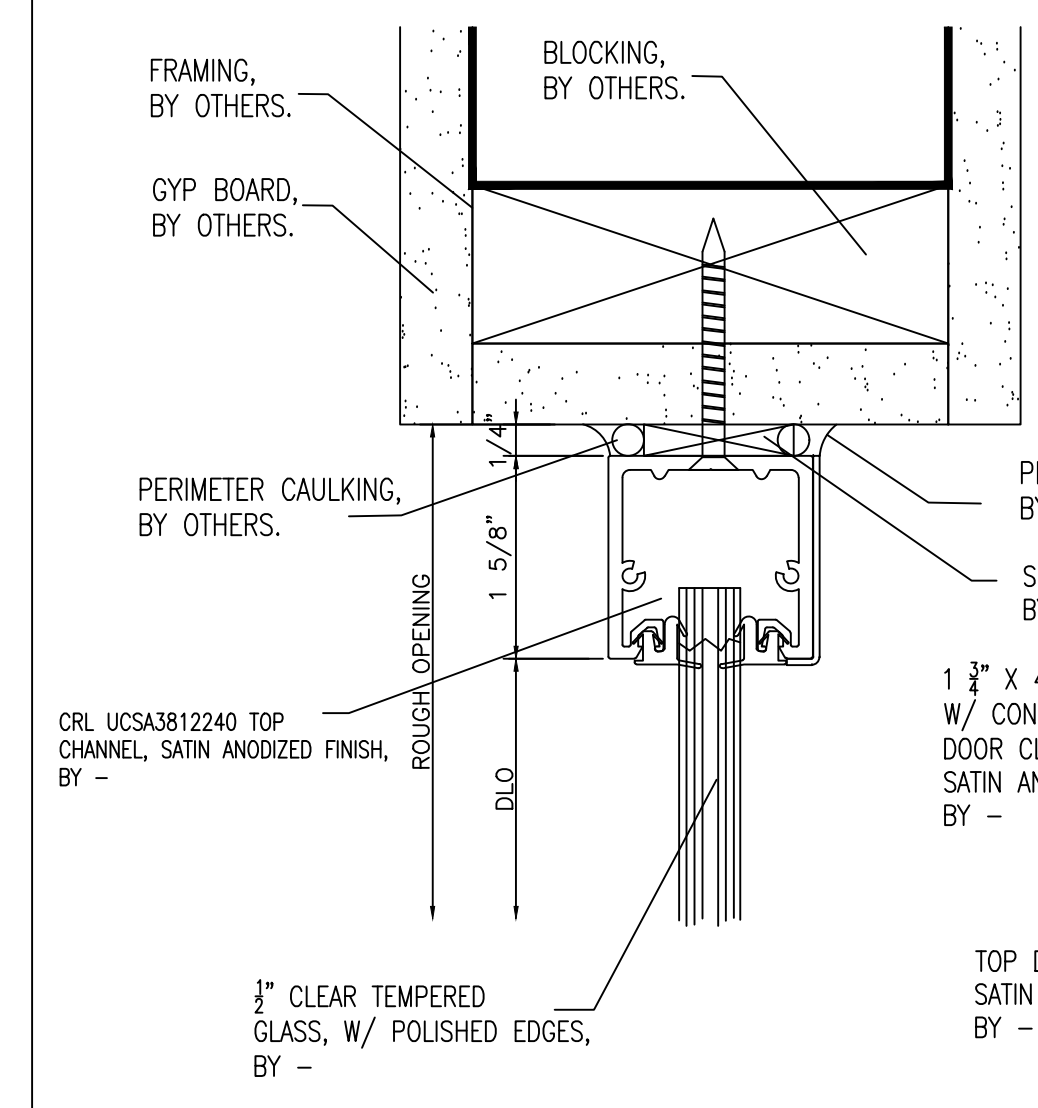
PROJECT NAME & LOCATION:
ALLSTATE INSURANCE COMPANY
CENTER POINTE I
1130 ROUTE 22 EAST
BRIDGEWATER, NJ 08807

SHEET TITLE:
DETAILS

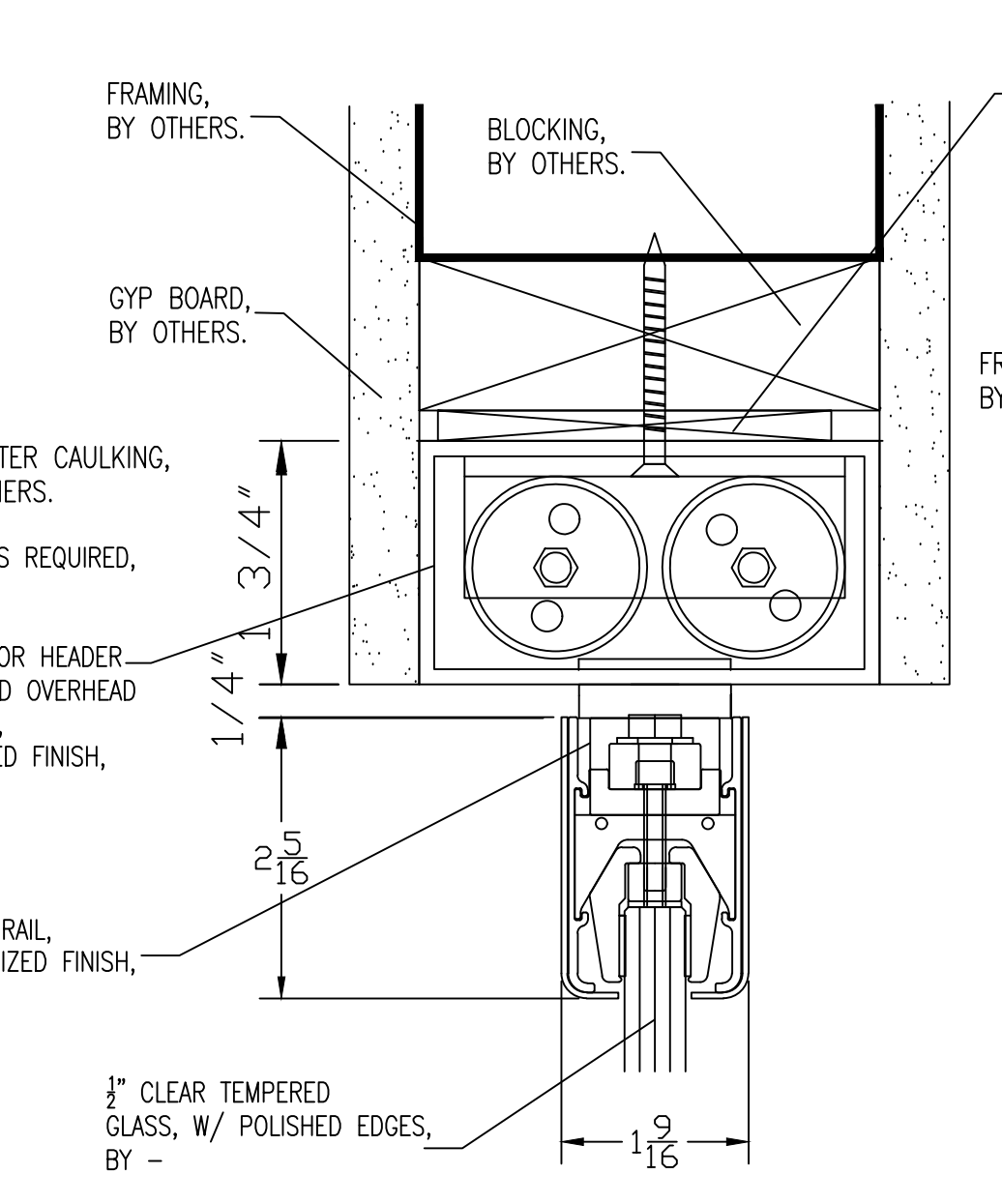
DRAFTSMAN:
 KS DRAFTING & DESIGN, LLC.
 KYLE SCHNECK
 HARRISBURG, PA 17110
 KYLE@KSDRAFTINGDESIGNLLC.COM
 717-228-7114
 KSDRAFTINGDESIGNLLC.COM

DRAWN BY: **KYLE SCHNECK**

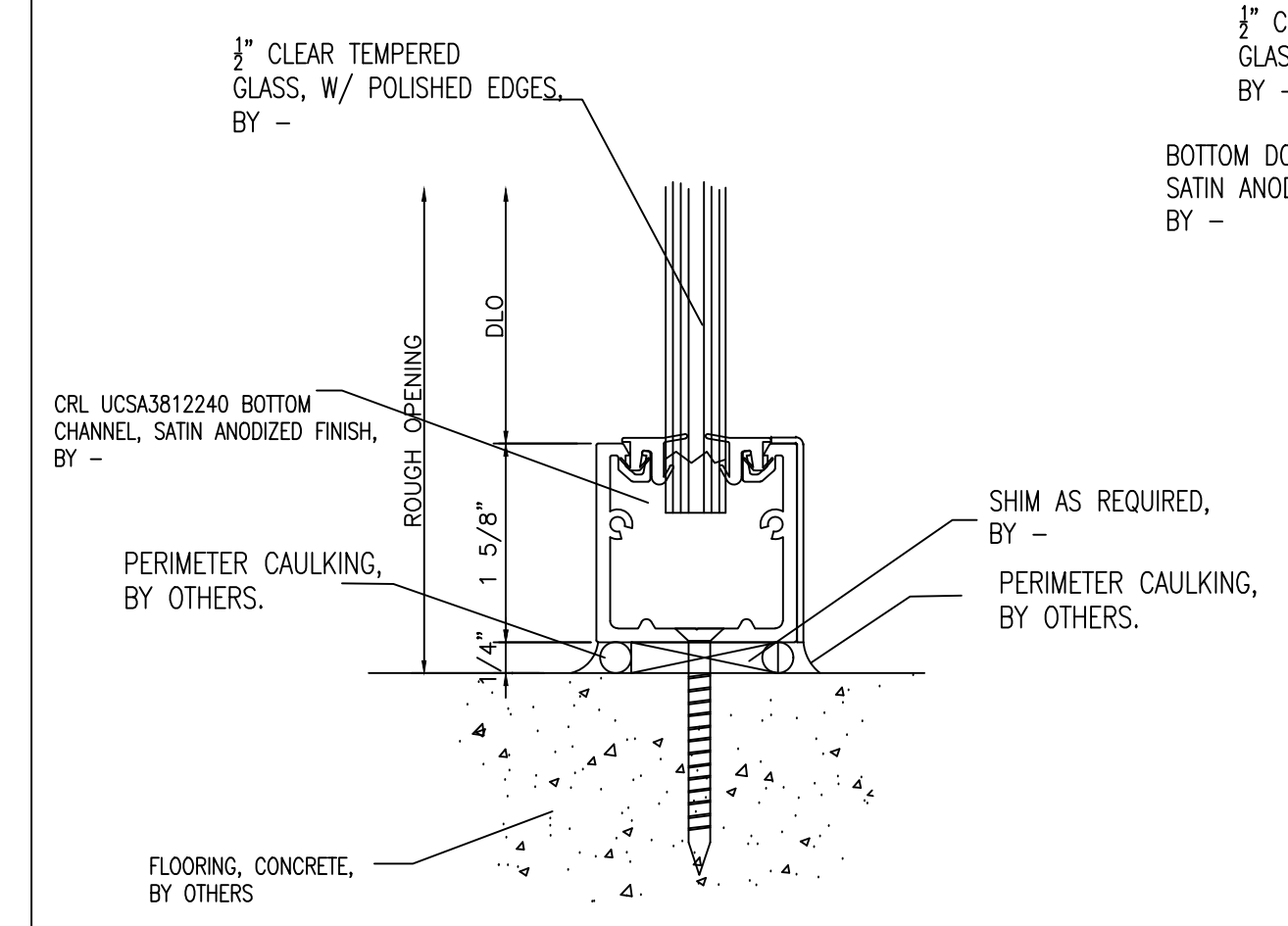
DATE: **01/19/2017** SHEET: **402**



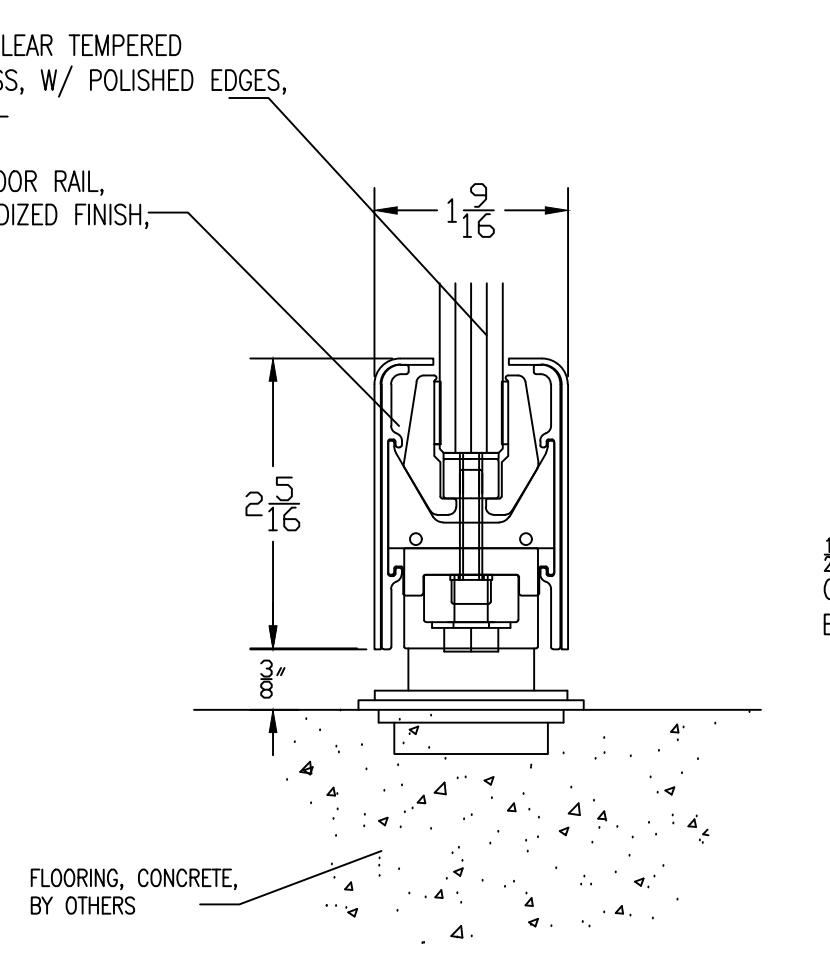
1 SECTION CUT
 @ INTERIOR SIDELIGHT HEAD



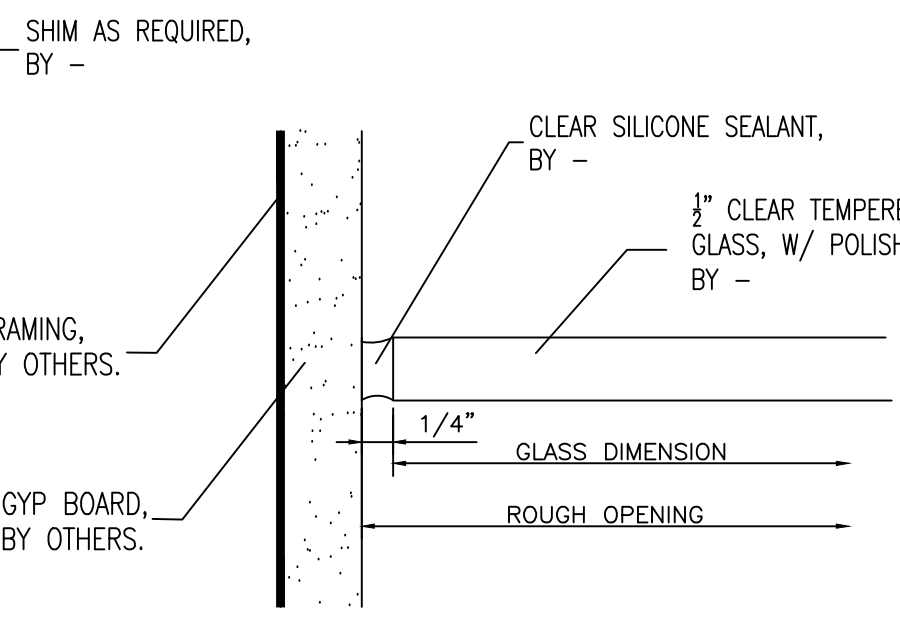
3 SECTION CUT
 @ INTERIOR DOOR TOP RAIL



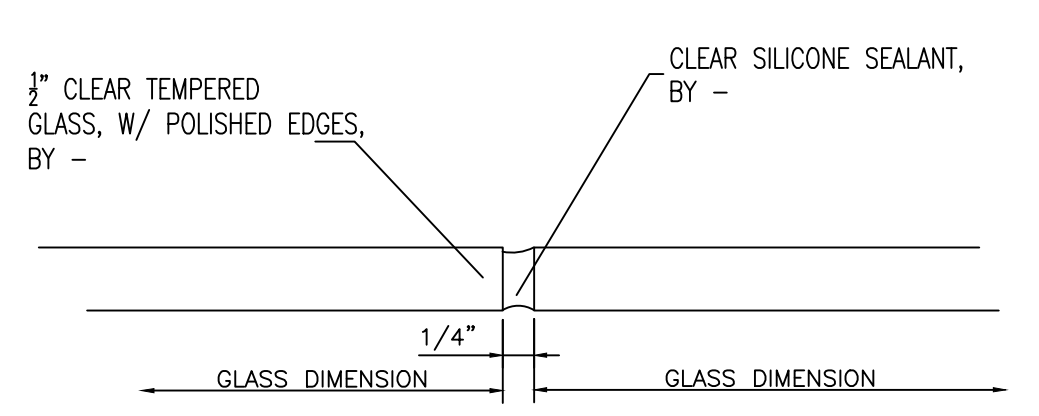
2 SECTION CUT
 @ INTERIOR SIDELITE SILL



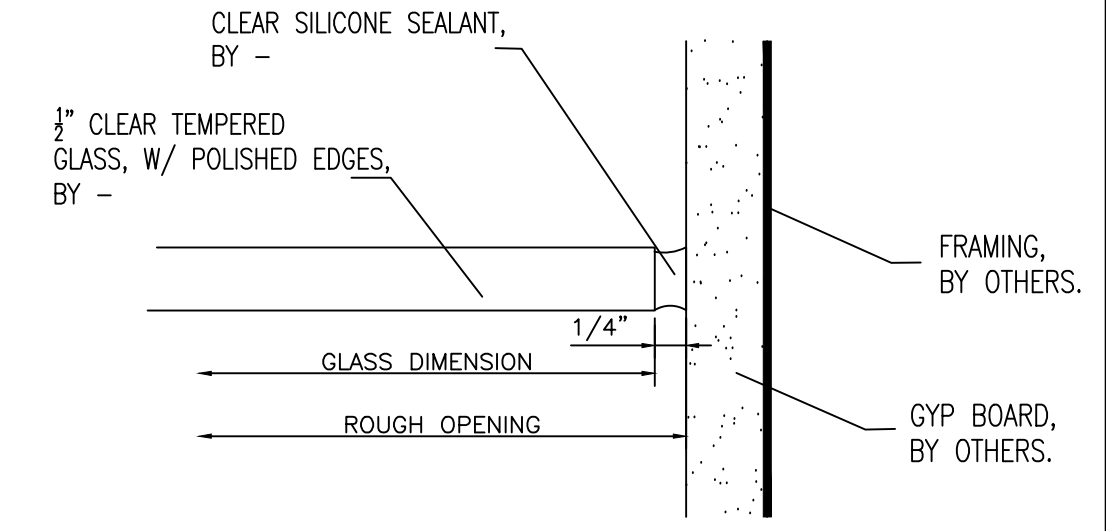
4 SECTION CUT
 @ INTERIOR DOOR BOTTOM RAIL



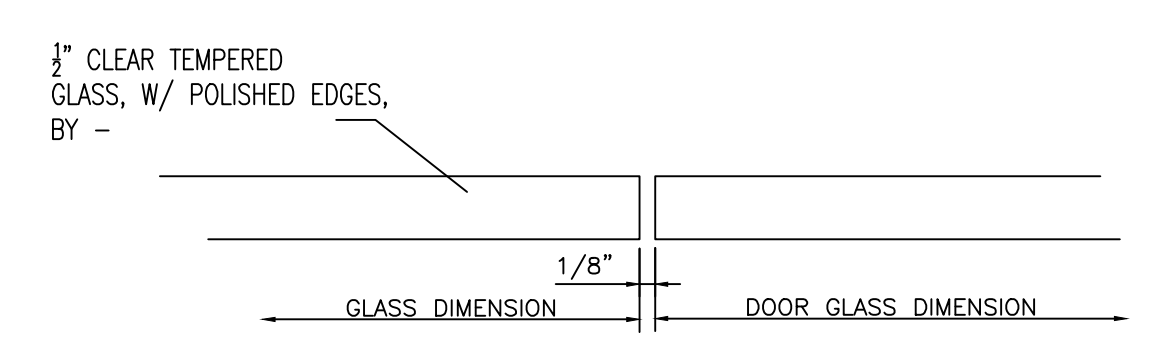
5 PLAN CUT
 @ INTERIOR SIDELIGHT LEFT JAMB



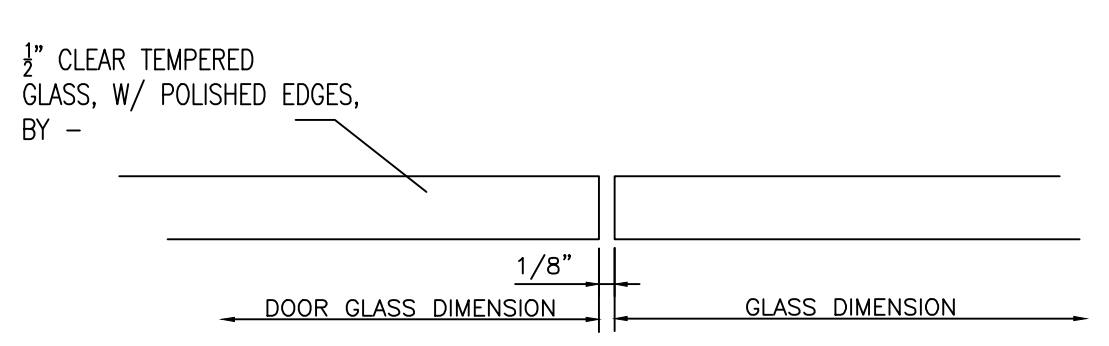
6 PLAN CUT
 @ GLASS JOINT



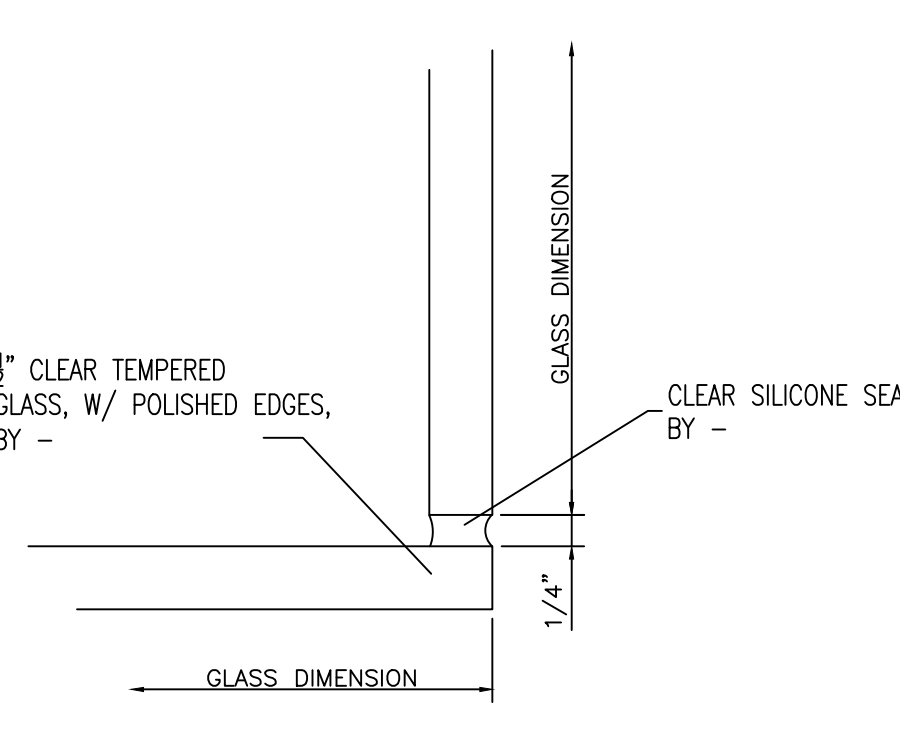
7 PLAN CUT
 @ INTERIOR SIDELITE RIGHT JAMB



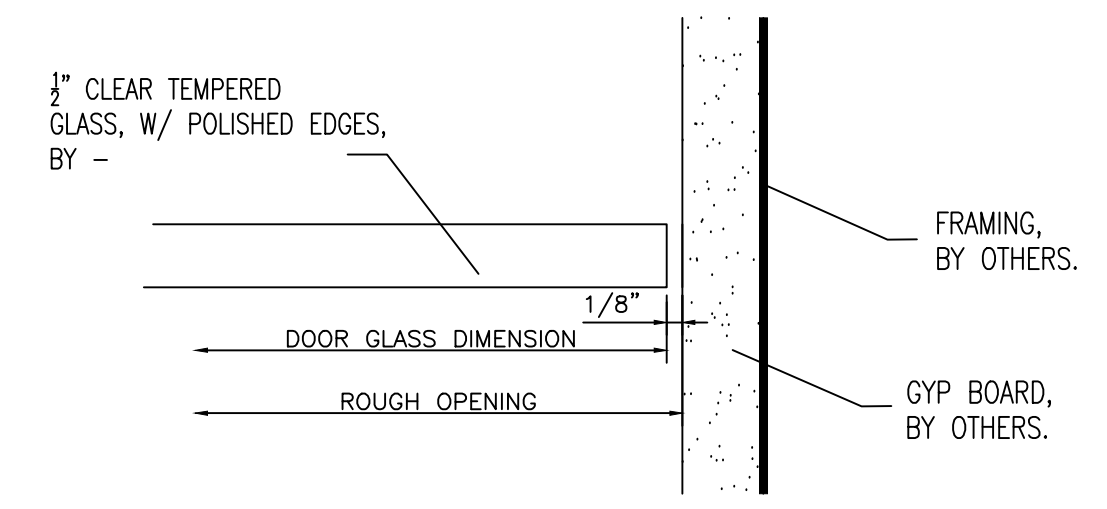
8 PLAN CUT
 @ INTERIOR DOOR LEFT JAMB



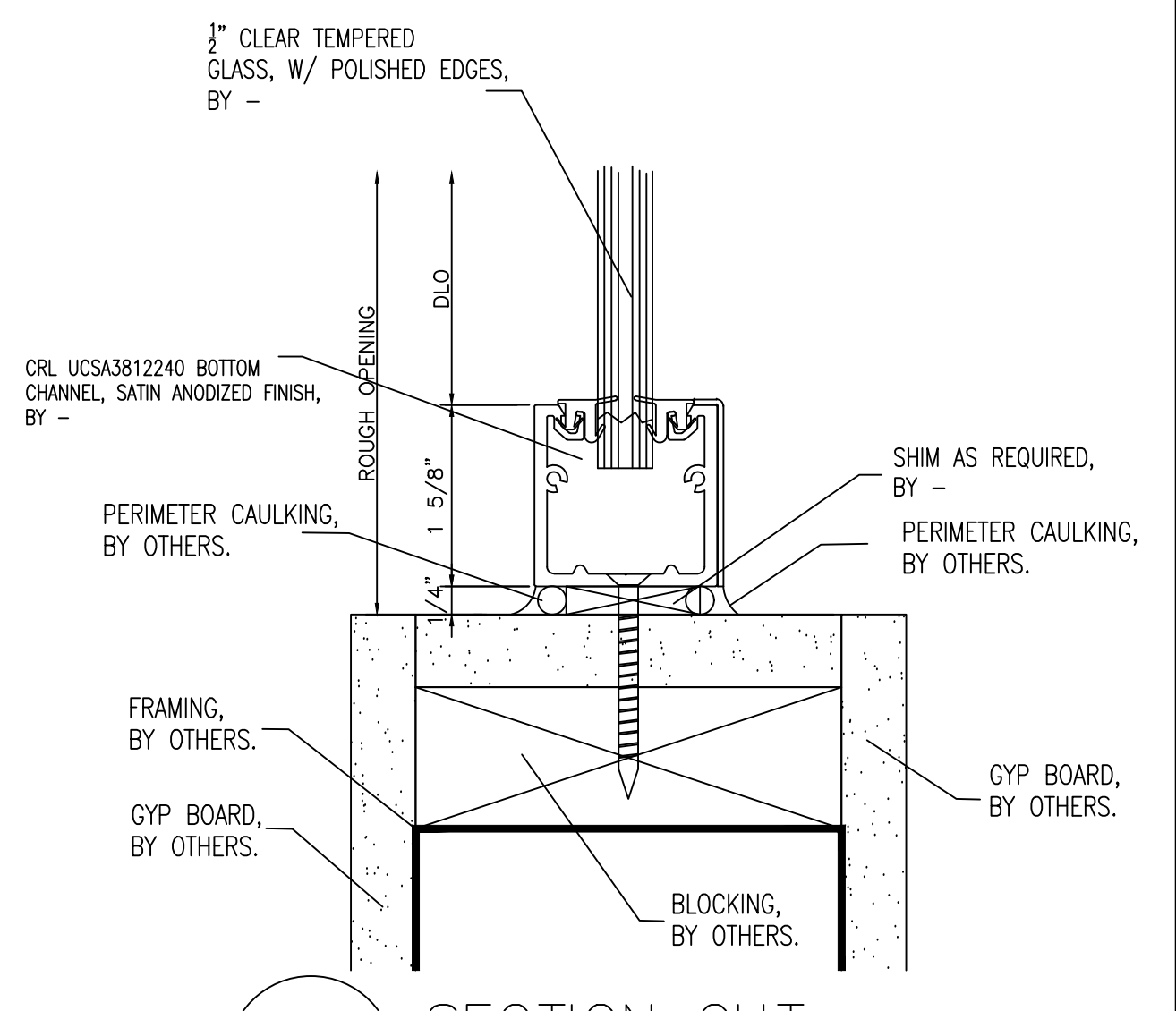
9 PLAN CUT
 @ INTERIOR DOOR RIGHT JAMB



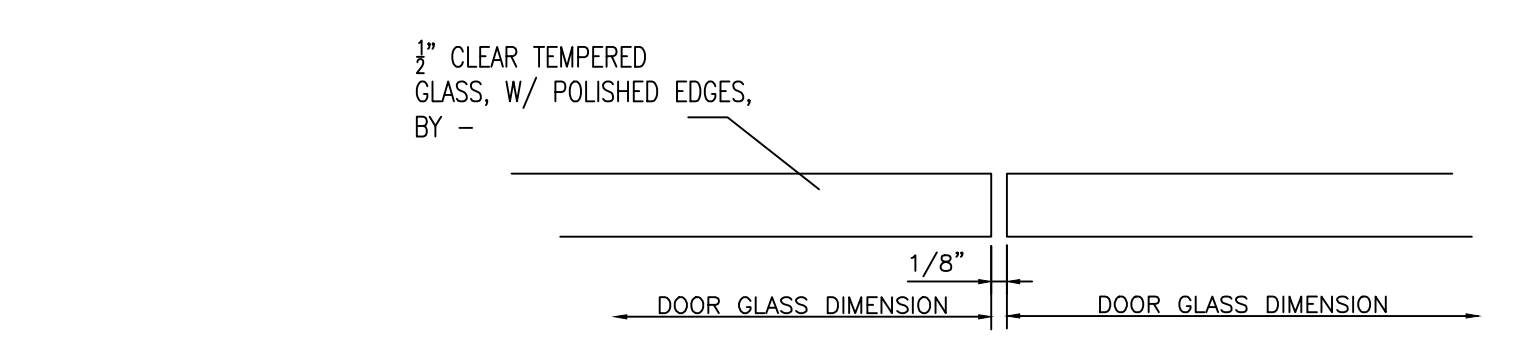
10 PLAN CUT
 @ GLASS JOINT



12 PLAN CUT
 @ INTERIOR SIDELITE RIGHT JAMB



11 SECTION CUT
 @ INTERIOR SIDELITE SILL



13 PLAN CUT
 @ DOOR TO DOOR JAMB