

SYMBOLS	
	ELEVATION NAME
	DETAIL NAME
	ELEVATION CALLOUT
	SECTION CALLOUT
	REVISED ITEM
	REVISION NUMBER

INFORMATION AVAILABLE TO PREPARE DRAWINGS

PER ARCHITECTURAL DRAWINGS DATED - 12/24/2016
 PER ARCHITECTURAL DRAWINGS DATED - 10/03/2016
 SCOPE OF WORK SHEET

NOTES TO GENERAL CONTRACTOR

PLEASE CONFIRM THAT THE SURROUNDING CONDITIONS OUTLINED IN THESE DRAWINGS ARE ACCURATE TO THE TRUE FIELD CONDITIONS, AND THAT ALL ROUGH OPENINGS SHOWN ARE ACCURATE TO FIELD CONDITIONS AND SIZES.

INTERIOR CAULKING BY OTHERS

DOW CORNING 790 CAULKING WILL BE USED AT THE EXTERIOR JOINTS OF THE ALUMINUM FRAMES.

NOTES TO ARCHITECT

INTERIOR CAULKING BY OTHERS

DOW CORNING 790 CAULKING WILL BE USED AT THE EXTERIOR JOINTS OF THE ALUMINUM FRAMES.

GENERAL NOTES

1.) LIMITATIONS: THESE DRAWINGS REPRESENT AN INTERPRETATION OF ARCHITECTURAL INFORMATION MADE AVAILABLE TO KS DRAFTING & DESIGN, LLC. KS DRAFTING & DESIGN, LLC MAKES NO REPRESENTATION OR WARRANTY TO THE PERFORMANCE OR COMPLETENESS OF THE ARCHITECTURAL DETAILS OF THE SURROUNDING AREAS.

2.) SIGNED ENGINEERING DRAWINGS TO BE SUPPLIED: ANY LISTED TOLERANCES, DIMENSIONS, DEFLECTION, ANCHORAGE, REFERENCES, AND FUNCTIONAL PERFORMANCE REQUIREMENTS SHALL BE CONFIRMED WITH THE ENGINEER, AND VALIDATED BY FIELD MEASUREMENTS TO ENSURE SIZING, PERFORMANCE COMPLIANCE, AND ARCHITECTURAL INTENT.

3.) ACCEPTANCE: FINAL APPROVAL OF THESE DRAWINGS CONSTITUTES ACCEPTANCE OF ALL DEVIATIONS, IF ANY, AND ALL WORK CONTAINED HEREIN.

4.) USE: KS DRAFTING & DESIGN, LLC ASSUMES NO RESPONSIBILITY FOR THE USE OF THESE DRAWINGS BY OTHER TRADES.

5.) COMPLIANCE: ARCHITECT, ENGINEER, GENERAL CONTRACTOR, AND MISC. TRADES ARE RESPONSIBLE FOR THE SELECTION, INSTALLATION, AND ADJUSTMENT OF SYSTEMS TO ENSURE COMPLIANCE WITH ALL APPLICABLE DESIGN, ENERGY, RATING, BUILDING, AND/OR SAFETY CODES.

6.) QUALITY CONSTRUCTION: ROUGH OPENINGS MUST BE BUILT PLUMB, SQUARE, AND LEVEL. OPENINGS MUST BE BUILT TO THE ROUGH OPENING (R.O.) SIZES SHOWN HEREIN FOR PROPER FIT.

7.) RELEASE OF LIABILITY: THESE DRAWINGS HAVE BEEN PREPARED BY KS DRAFTING & DESIGN, LLC FOR USE BY THE CUSTOMER. THE CUSTOMER AGREES TO ASSUME ALL LIABILITY AND ANY CLAIMS THAT MAY ARISE FROM THE USE OF, OR INFORMATION CONTAINED IN THESE DRAWINGS.

NO.	REVISION/ISSUED	DATE
1	1ST SUBMITTAL	10/07/2016
2	REVISIONS	01/14/2017
3	PACKAGE #2	01/23/2017
4	REVISIONS	02/09/2017

DOOR HARDWARE	
DOOR #	HARDWARE PACKAGE DESCRIPTION
K DOORS: PAIR 001A	5' INACTIVE LEAF: FLUSH BOLT CONTINUOUS HINGE 3" ACTIVE LEAF: DEADBOLT W/ VISUAL INDICATOR KEYED ON THE EXT. AND INT. FULL HEIGHT STRAIGHT BTB PULLS CONTINUOUS HINGE HD CONCEALED FLOOR CLOSER
K DOORS: 001B	INACTIVE LEAFS: FLUSH BOLT CONTINUOUS HINGE 3" ACTIVE LEAF: DEADBOLT W/ VISUAL INDICATOR KEYED ON THE EXT. AND INT. FULL HEIGHT STRAIGHT BTB PULLS CONTINUOUS HINGE HD CONCEALED FLOOR CLOSER
K DOORS: SINGLE 021A	FULL HEIGHT STRAIGHT BTB PULLS HD CONCEALED FLOOR CLOSER DEADBOLT W/ VISUAL INDICATOR KEYED ON THE EXT. AND INT. CONTINUOUS HINGE
K DOORS: SINGLE 112	FULL HEIGHT STRAIGHT BTB PULLS CONCEALED FLOOR CLOSER CYLINDER AND THUMBTURN KEYED ON THE EXTERIOR STANDARD PIVOTS
C DOORS: PAIR 101A	FULL HEIGHT STRAIGHT BTB PULLS CONCEALED FLOOR CLOSER CYLINDER AND THUMBTURN KEYED ON THE EXTERIOR DP STRIKES STANDARD PIVOTS
D DOORS: SINGLE 104 105 106 115 116 119 144	FULL HEIGHT STRAIGHT BTB PULLS CONCEALED FLOOR CLOSER CYLINDER AND THUMBTURN KEYED ON THE EXTERIOR DP STRIKES STANDARD PIVOTS

PROJECT TITLE:
AUDI LUBBOCK

PROJECT ADDRESS:
1919 W LOOP 289
LUBBOCK, TEXAS

MATERIALS	
TUBELITE T14000 EXTERIOR STOREFRONT - 2" X 4 1/2" FRONT SET THERMAL FRAMING - SCREW SPLINE	
TUBELITE SERIES 400 CURTAINWALL - 2 1/2" X 10" FRAMING - OUTSIDE GLAZED - SHEAR BLOCK - CAPTURED AND STRUCTURAL SILICONE GLAZED	
TUBELITE STOREFRONT DOORS - WIDE STILE AT PULL SIDE - NARROW STILE AT OPPOSITE SIDE AND TOP RAIL - NON THERMAL - 1 3/4" THICK - 10" BOTTOM RAILS	
TUBELITE STOREFRONT DOORS - NARROW STILE NON THERMAL - 1 3/4" THICK - 10" BOTTOM RAILS	
ALL FINISHES TO BE: CLASS I CLEAR ANODIZED	
OLD CASTLE 1 3/4" X 4" DOOR HEADER OLD CASTLE 4" TOP AND BOTTOM SQUARE DOOR RAILS OLD CASTLE 1 3/4" X 4" SIDELITE HEADER OLD CASTLE 4" FIXED BOTTOM RAILS	
ALL FINISHES TO BE: CLEAR ANODIZED	

TABLE OF CONTENTS	
100 COVER SHEET	211 ENLARGED ELEVATIONS
200 OVERALL FLOOR PLAN	212 ENLARGED ELEVATIONS
201 OVERALL EXTERIOR ELEVATIONS	213 ENLARGED ELEVATIONS
202 OVERALL EXTERIOR ELEVATIONS	214 ENLARGED ELEVATIONS
203 ENLARGED ELEVATIONS	215 ENLARGED ELEVATIONS
204 ENLARGED ELEVATIONS	216 ENLARGED ELEVATIONS
205 ENLARGED ELEVATIONS	400 DETAILS
206 ENLARGED ELEVATIONS	401 DETAILS
207 ENLARGED ELEVATIONS	402 DETAILS
208 ENLARGED ELEVATIONS	403 DETAILS
209 ENLARGED ELEVATIONS	404 DETAILS
210 ENLARGED ELEVATIONS	405 DETAILS
	406 DETAILS

GLASS INFORMATION	
MARK	GLASS DESCRIPTION
G02	1/4" CLEAR TEMPERED
G10	1" INSULATED UNIT: 1/2" CLEAR SOLARBAN 70XL, LOW E ON #2, TEMPERED 1/2" AIR SPACER 1/4" CLEAR, TEMPERED
GL	1/2" CLEAR TEMPERED, POLISHED EDGES
W8B	1/2" STARPHIRE, TEMPERED, W/CUSTOM SPANDREL ON #2 SURFACE, W/ 1/4" STRIPES AND 1/4" GAPS

PROJECT NAME & LOCATION:
AUDI LUBBOCK
1919 W LOOP 289
LUBBOCK, TEXAS

SHEET TITLE:
COVER SHEET

DRAWN BY:
KS DRAFTING & DESIGN, LLC
KYLE SCHNECK
ASHBURN, VA 20147
KYLE@KSDRAFTINGDESIGNLLC.COM
703-999-7814
KSDRAFTINGDESIGNLLC.COM

ARCHITECT:
PSC

DRAWN BY: KYLE SCHNECK
CHECKED BY: KYLE SCHNECK

DATE: 02/09/2017
SHEET: 100

NO.	REVISION/ISSUED	DATE
1	1ST SUBMITTAL	10/07/2016
3	PACKAGE #2	01/23/2017

PROJECT NAME & LOCATION:
AUDI LUBBOCK
 1919 W LOOP 289
 LUBBOCK, TEXAS

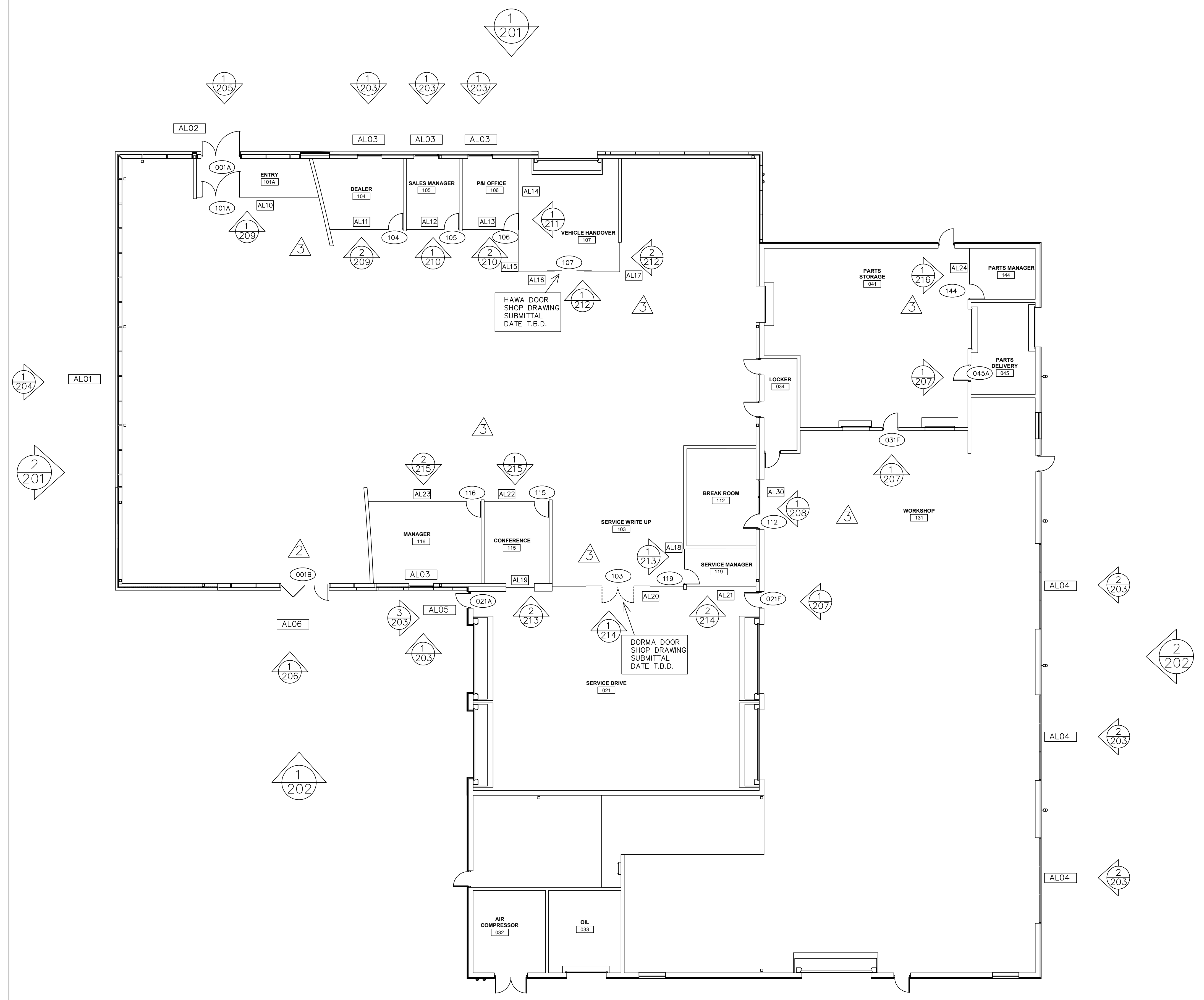
SHEET TITLE:
FLOOR PLANS

DRAWN BY:
 KS DRAFTING & DESIGN, LLC
 KYLE SCHNECK
 ASHBURN, VA 20147
 KYLE@KSDRAFTINGDESIGNLLC.COM
 703-999-7814
 KSDRAFTINGDESIGNLLC.COM

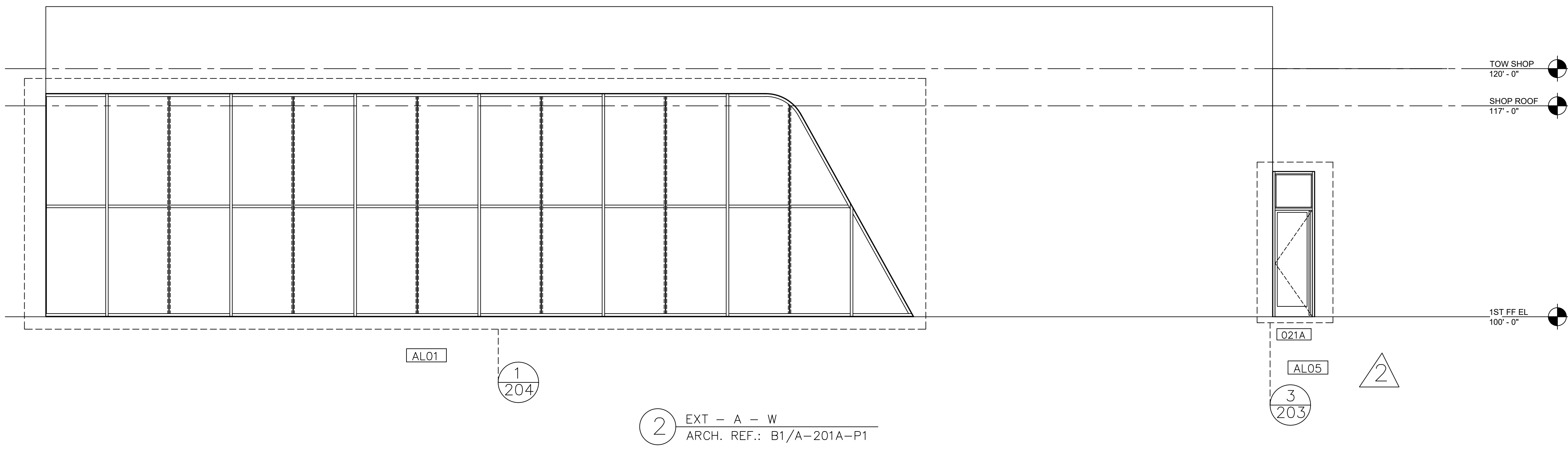
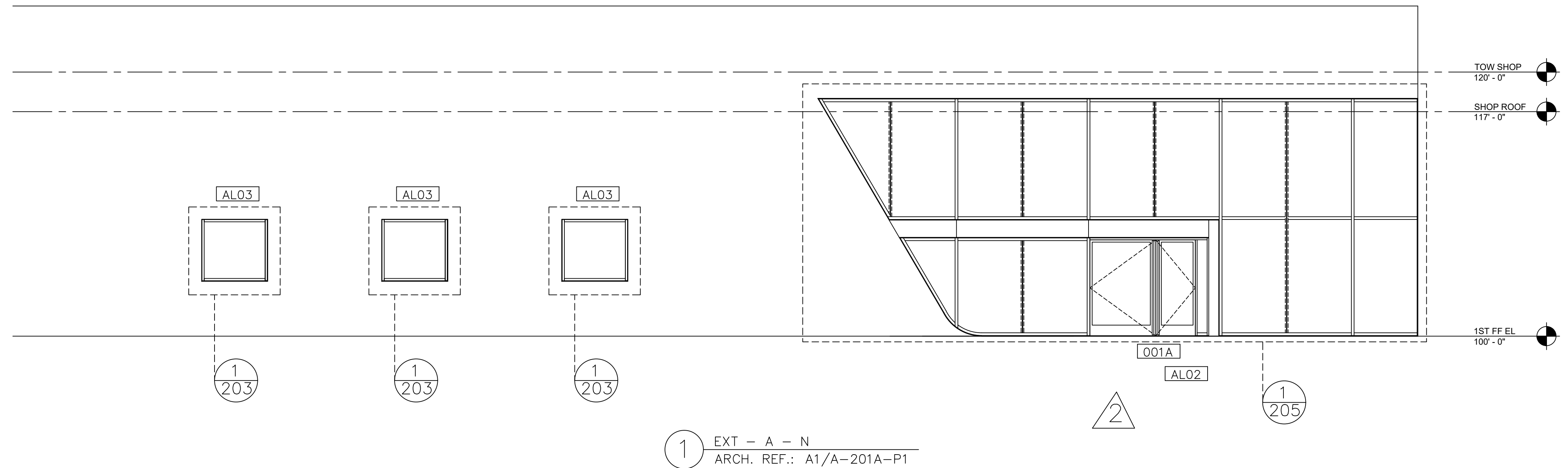
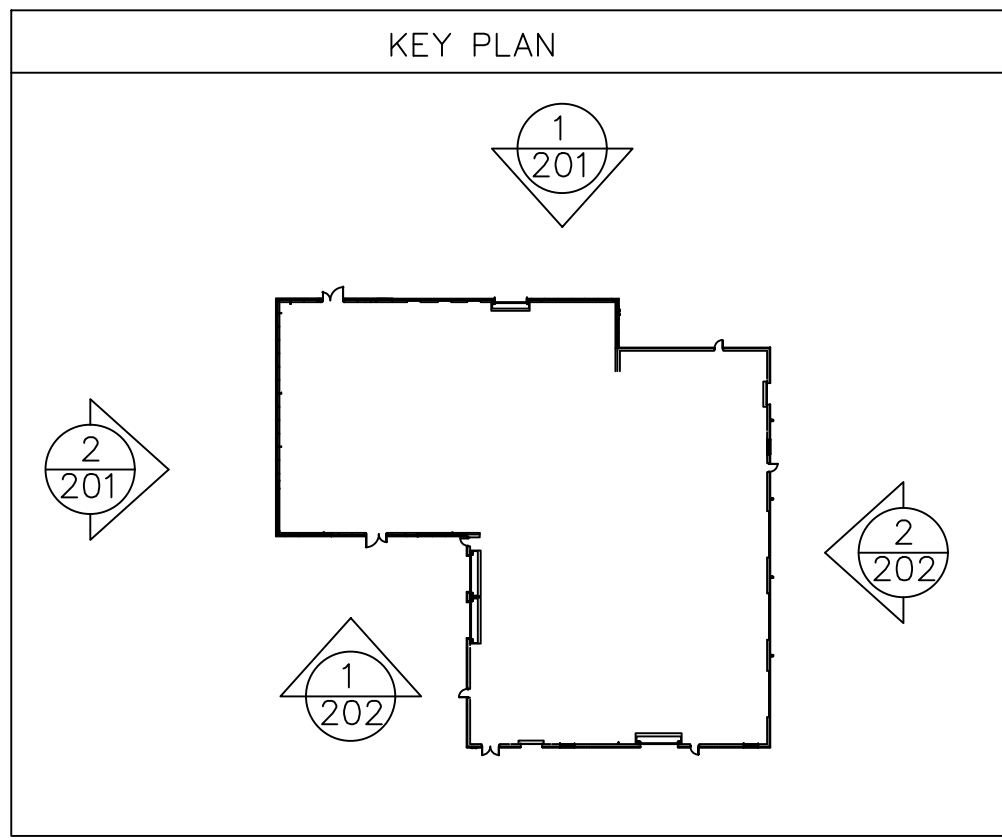
ARCHITECT:
 PSC

DRAWN BY: KYLE SCHNECK
 CHECKED BY: KYLE SCHNECK

DATE: 01/23/2017
 SHEET: **200**



1 FIRST FLOOR PLAN - AREA A
 ARCH. REF.: A1/A-121A-P1 & P2



NO.	REVISION/ISSUED	DATE
1	1ST SUBMITTAL	10/07/2016
2	REVISIONS	01/14/2017

PROJECT NAME & LOCATION:
AUDI LUBBOCK
 1919 W LOOP 289
 LUBBOCK, TEXAS

SHEET TITLE:
ELEVATIONS

DRAWN BY:
 KS DRAFTING & DESIGN, LLC
 KYLE SCHNECK
 ASHBURN, VA 20147
 KYLE@KSDRAFTINGDESIGNLLC.COM
 703-999-7814
 KSDRAFTINGDESIGNLLC.COM

ARCHITECT:
 PSC

DRAWN BY: KYLE SCHNECK
 CHECKED BY: KYLE SCHNECK

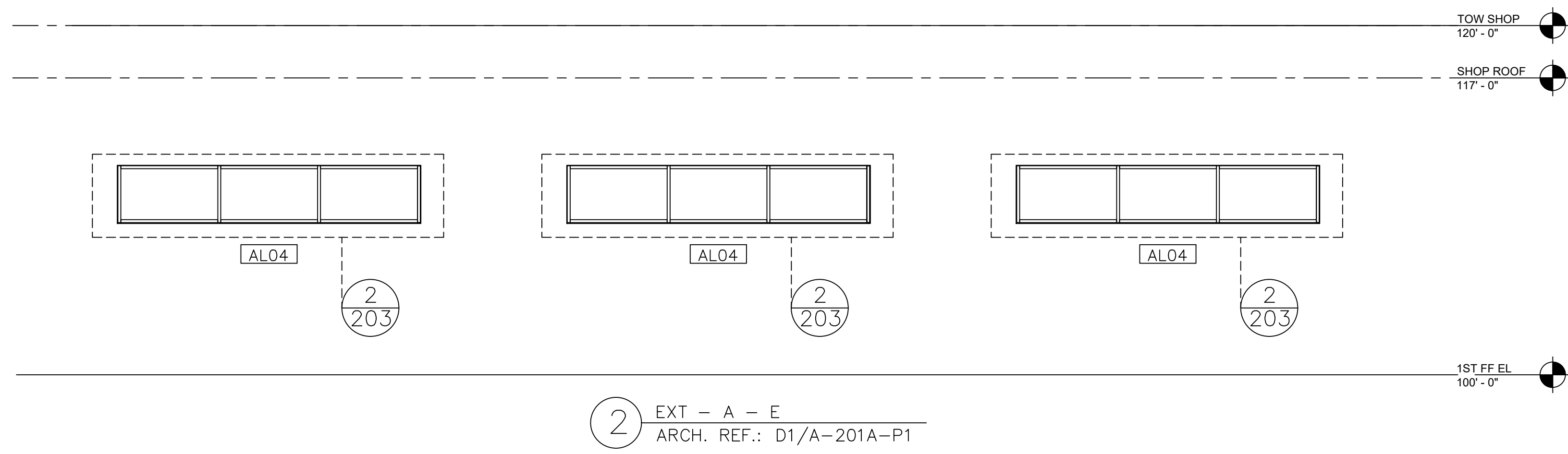
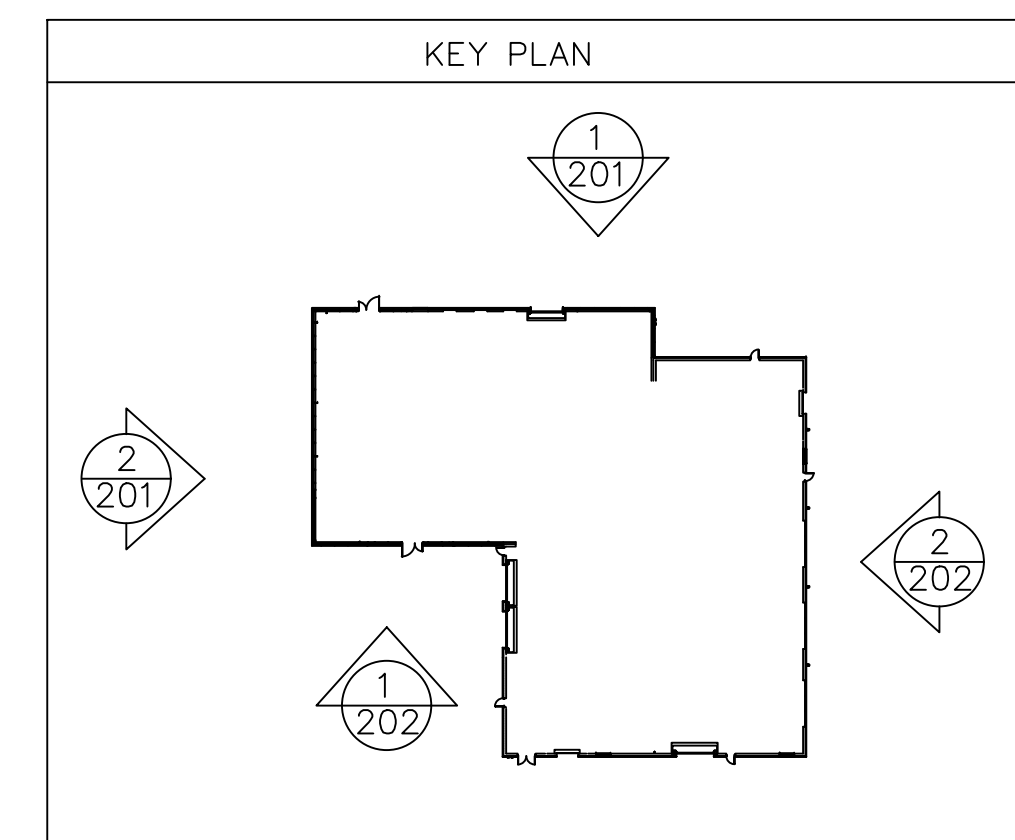
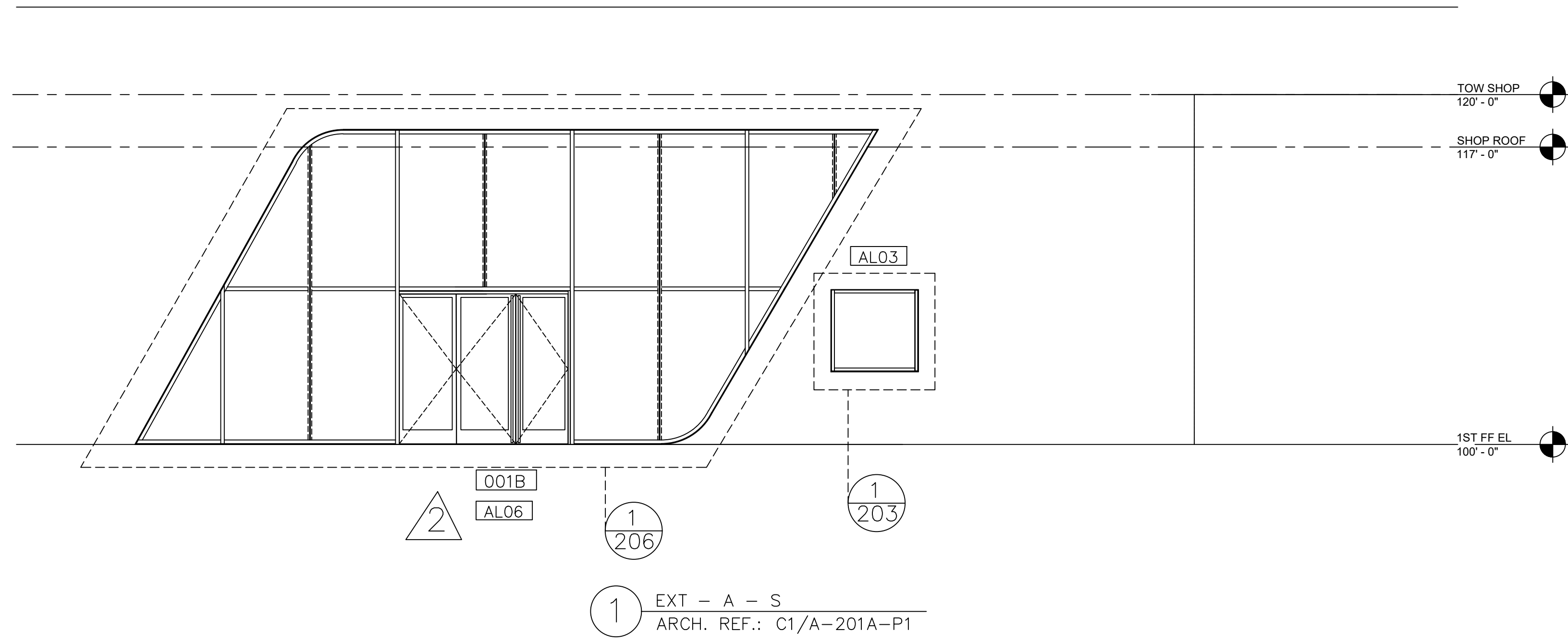
DATE: 01/14/2017

SHEET:
201

NO.	REVISION/ISSUED	DATE
1	1ST SUBMITTAL	10/07/2016
2	REVISIONS	01/14/2017

PROJECT NAME & LOCATION:
AUDI LUBBOCK
 1919 W LOOP 289
 LUBBOCK, TEXAS

SHEET TITLE:
ELEVATIONS



DRAWN BY:
 KS DRAFTING & DESIGN, LLC
 KYLE SCHNECK
 ASHBURN, VA 20147
 KYLE@KSDRAFTINGDESIGNLLC.COM
 703-999-7814
 KSDRAFTINGDESIGNLLC.COM

ARCHITECT:
 PSC

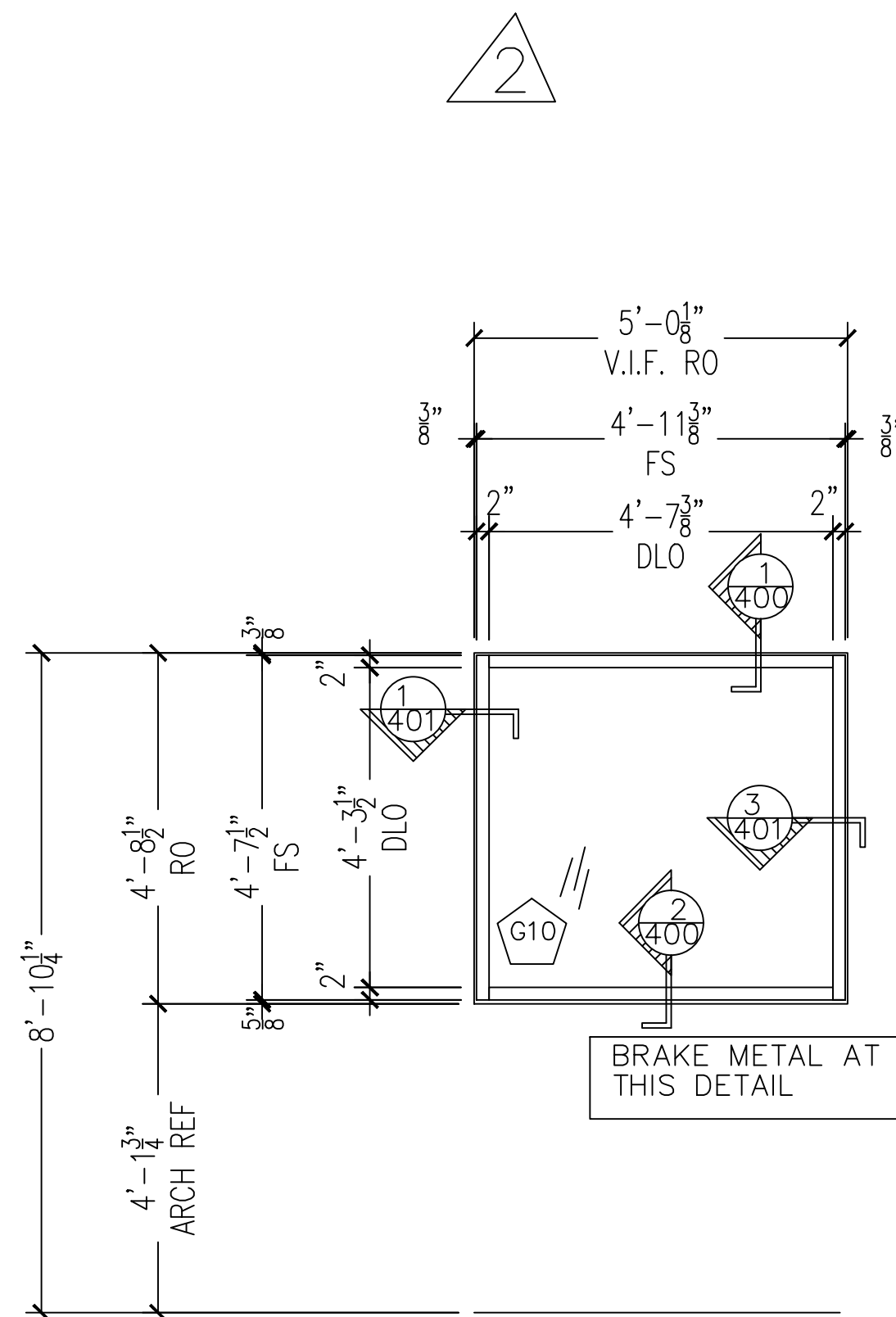
DRAWN BY: KYLE SCHNECK
 CHECKED BY: KYLE SCHNECK

DATE: 01/14/2017
 SHEET: 202

NO.	REVISION/ISSUED	DATE
1	1ST SUBMITTAL	10/07/2016
2	REVISIONS	01/14/2017

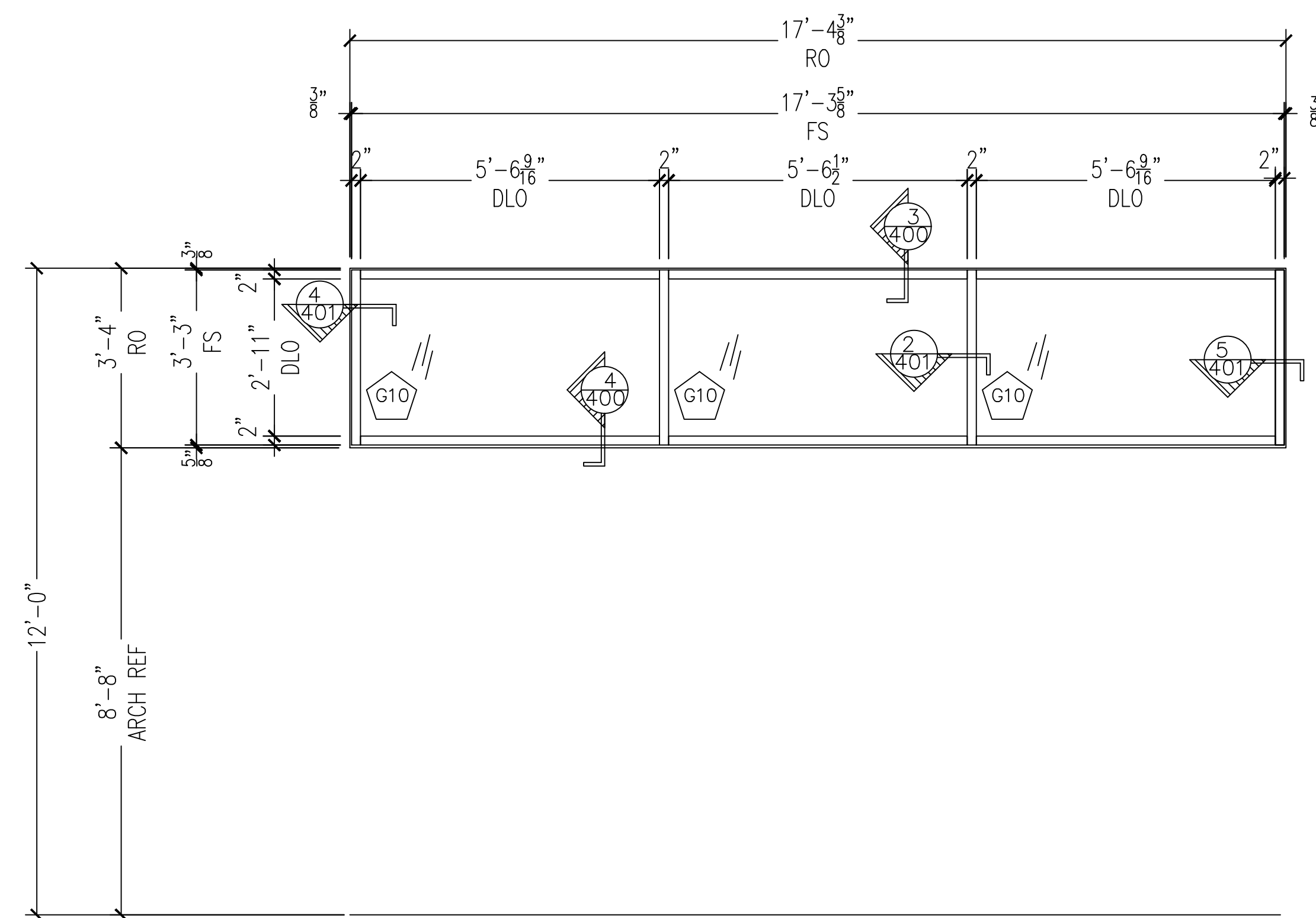
PROJECT NAME & LOCATION:
AUDI LUBBOCK
 1919 W LOOP 289
 LUBBOCK, TEXAS

SHEET TITLE:
ELEVATIONS



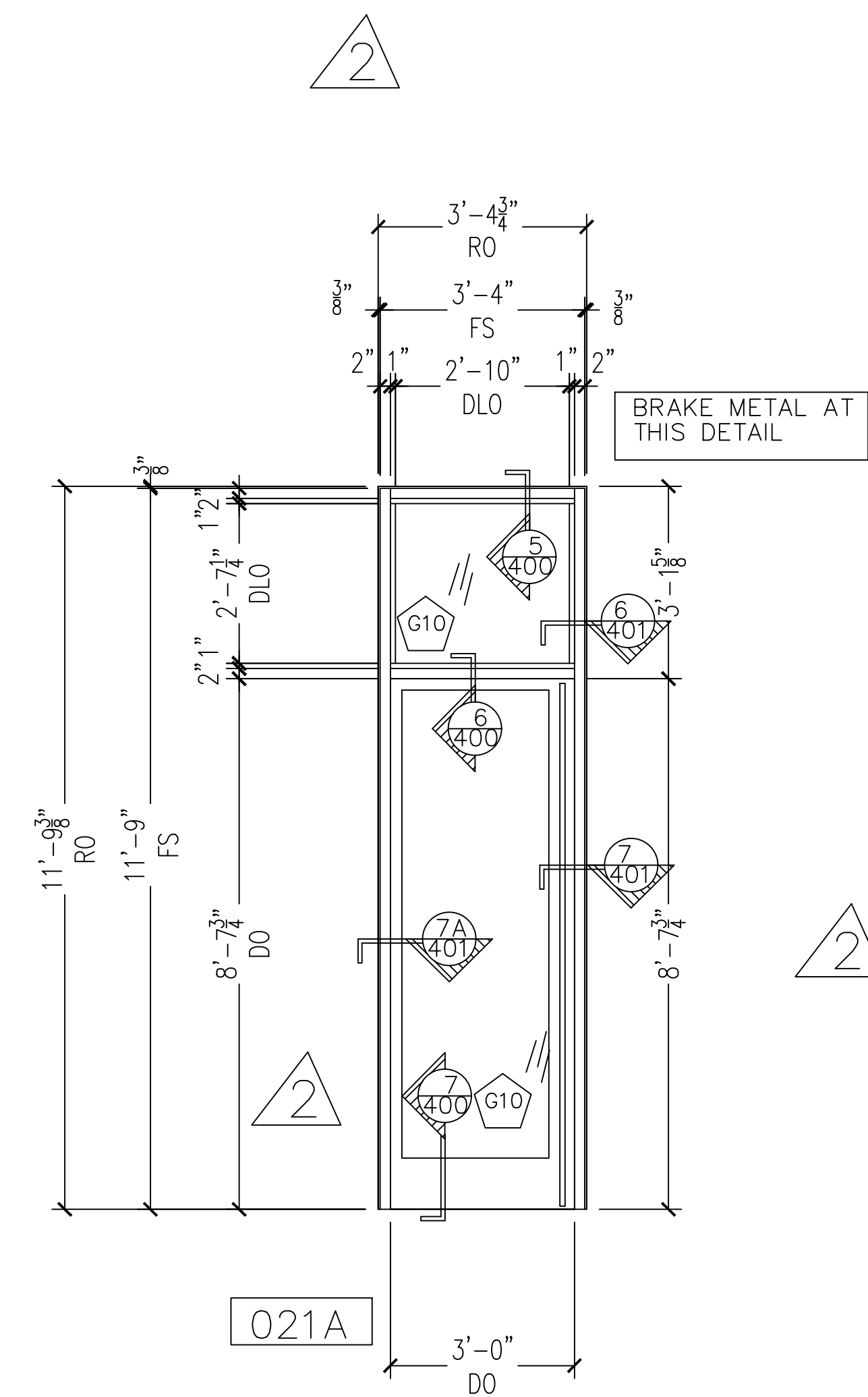
TUBELITE T14000 EXTERIOR STOREFRONT
 2" X 4 1/2" FRONT SET, THERMAL FRAMING

- QTY 4
- 1 ALO3
 ARCH. REF. AL03/A-605-P1



TUBELITE T14000 EXTERIOR STOREFRONT
 2" X 4 1/2" FRONT SET, THERMAL FRAMING

- QTY 3
- 2 ALO4
 ARCH. REF. AL04/A-605-P1



TUBELITE STOREFRONT DOOR
 TUBELITE T14000 EXTERIOR STOREFRONT
 2" X 4 1/2" FRONT SET, THERMAL FRAMING

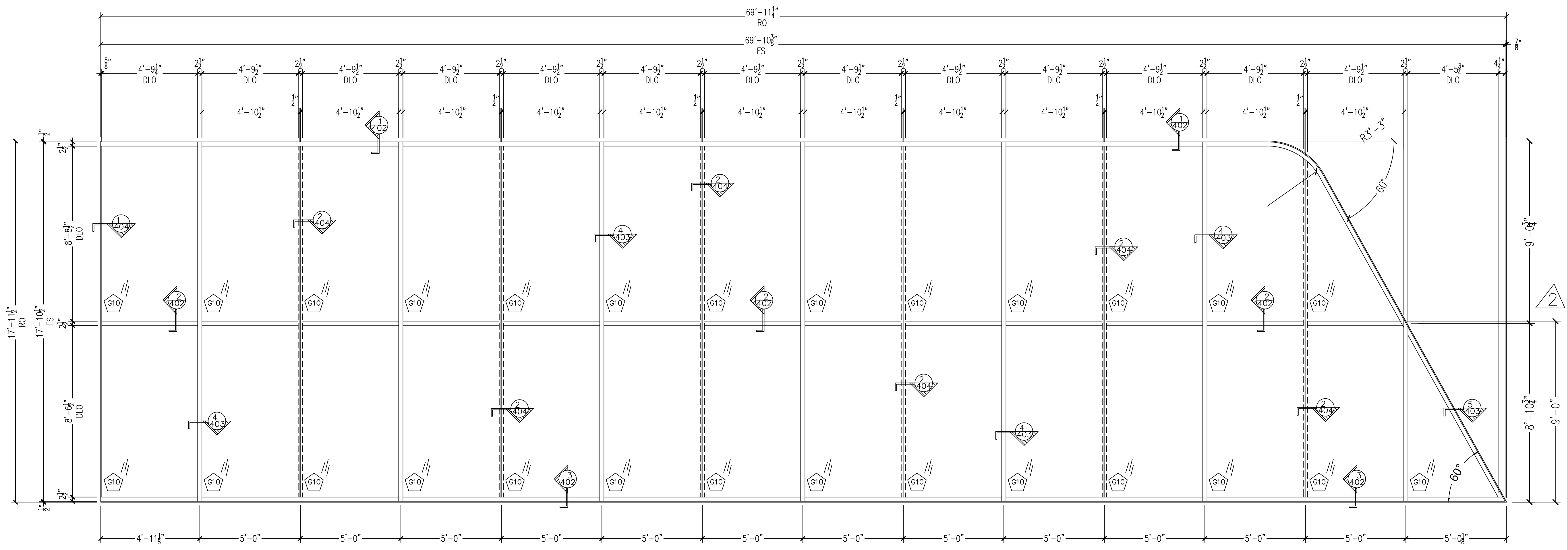
- QTY 1
- 3 ALO5
 ARCH. REF. AL05/A-605-P1

DRAWN BY:
 KS DRAFTING & DESIGN, LLC
 KYLE SCHNECK
 ASHBURN, VA 20147
 KYLE@KSDRAFTINGDESIGNLLC.COM
 703-999-7814
 KSDRAFTINGDESIGNLLC.COM

ARCHITECT:
 PSC

DRAWN BY: KYLE SCHNECK
 CHECKED BY: KYLE SCHNECK

DATE: 01/14/2017
 SHEET: 203



TUBELITE 400 SERIES CURTAINWALL
 2 1/2" X 10" OUTSIDE GLAZED, SHEAR BLOCK,
 CAPTURED, AND STRUCTURAL SILICONE GLAZED

QTY 1
 1 AL01
 ARCH. REF. AL01/A-605-P1

NO.	REVISION/ISSUED	DATE
1	1ST SUBMITTAL	10/07/2016
2	REVISIONS	01/14/2017

PROJECT NAME & LOCATION:
AUDI LUBBOCK
 1919 W LOOP 289
 LUBBOCK, TEXAS

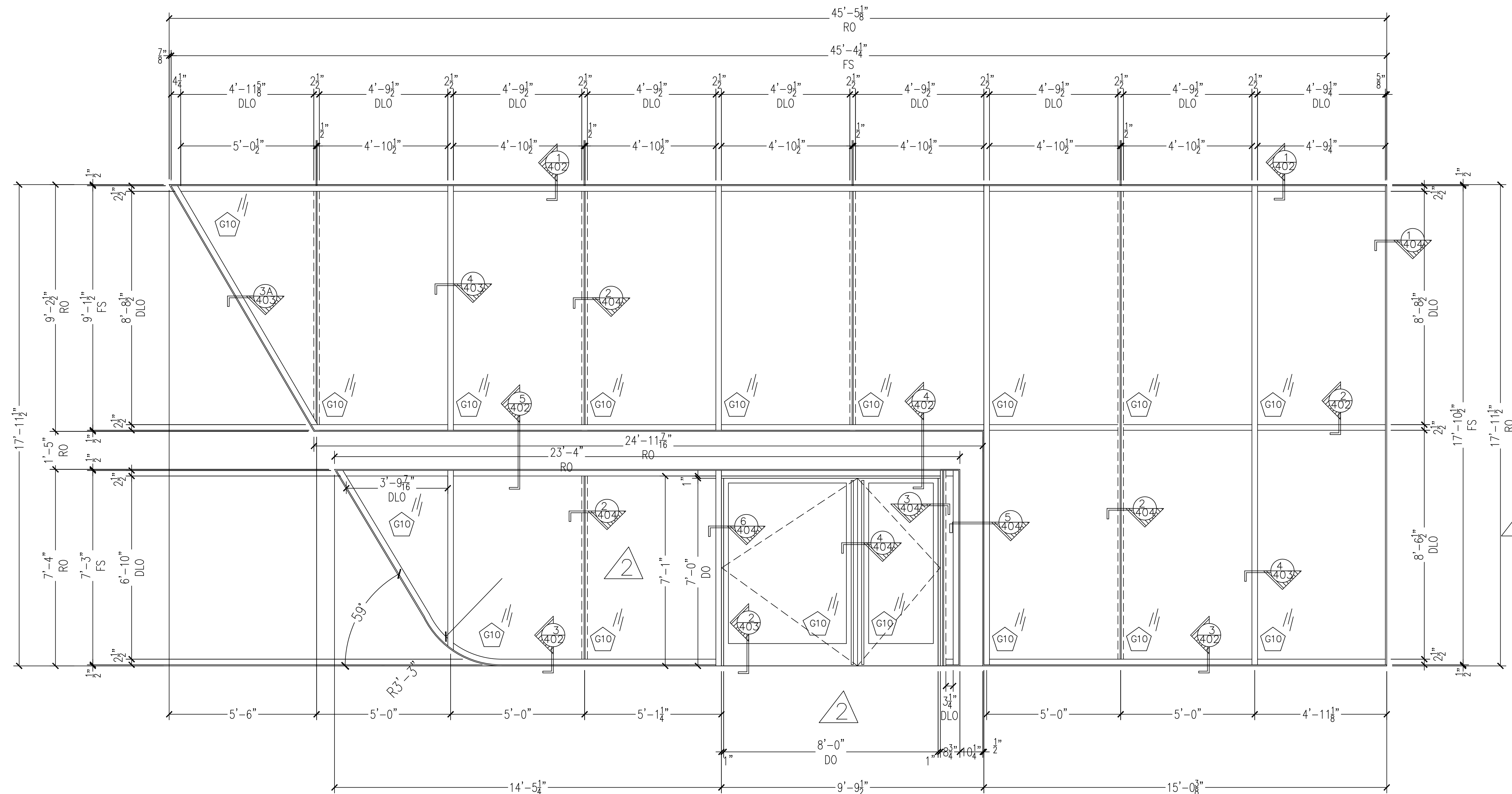
SHEET TITLE:
ELEVATIONS

DRAWN BY:
 KS DRAFTING & DESIGN, LLC
 KYLE SCHNECK
 ASHBURN, VA 20147
 KYLE@KSDRAFTINGDESIGNLLC.COM
 703-999-7814
 KSDRAFTINGDESIGNLLC.COM

ARCHITECT:
 PSC

DRAWN BY: KYLE SCHNECK
 CHECKED BY: KYLE SCHNECK

DATE: 01/14/2017
 SHEET: 204



GLASS ENTRANCE DOORS W/ RAILS
 TUBELITE 400 SERIES CURTAINWALL
 2 1/2" X 10" OUTSIDE GLAZED, SHEAR BLOCK,
 CAPTURED, AND STRUCTURAL SILICONE GLAZED

- 1 QTY 1
 AL02
 ARCH. REF. AL02/A-605-P1

NO.	REVISION/ISSUED	DATE
1	1ST SUBMITTAL	10/07/2016
2	REVISIONS	01/14/2017

PROJECT NAME & LOCATION:
AUDI LUBBOCK
 1919 W LOOP 289
 LUBBOCK, TEXAS

SHEET TITLE:
ELEVATIONS

DRAWN BY:
 KS DRAFTING & DESIGN, LLC
 KYLE SCHNECK
 ASHBURN, VA 20147
 KYLE@KSDRAFTINGDESIGNLLC.COM
 703-999-7814
 KSDRAFTINGDESIGNLLC.COM

ARCHITECT:
 PSC

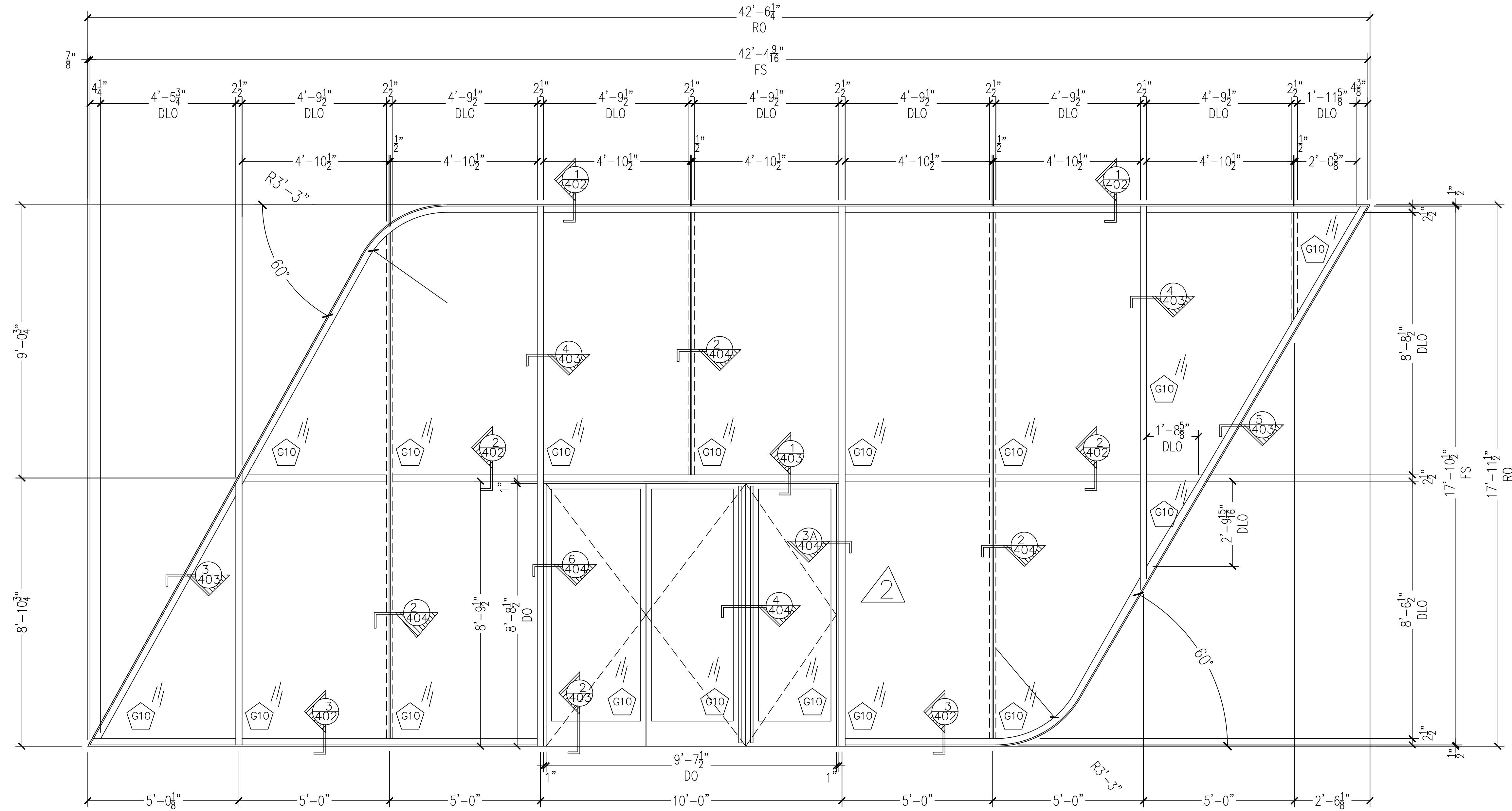
DRAWN BY: KYLE SCHNECK
 CHECKED BY: KYLE SCHNECK

DATE: 01/14/2017
 SHEET: **205**

NO.	REVISION/ISSUED	DATE
1	1ST SUBMITTAL	10/07/2016
2	REVISIONS	01/14/2017

PROJECT NAME & LOCATION:
AUDI LUBBOCK
 1919 W LOOP 289
 LUBBOCK, TEXAS

SHEET TITLE:
ELEVATIONS



2

2

2

001B

GLASS ENTRANCE DOORS W/ RAILS
 TUBELITE 400 SERIES CURTAINWALL
 2 1/2" X 10" OUTSIDE GLAZED, SHEAR BLOCK,
 CAPTURED, AND STRUCTURAL SILICONE GLAZED

- QTY 1
 1 ALO6
 ARCH. REF. AL06/A-605-P1

DRAWN BY:
 KS DRAFTING & DESIGN, LLC
 KYLE SCHNECK
 ASHBURN, VA 20147
 KYLE@KSDRAFTINGDESIGNLLC.COM
 703-999-7814
 KSDRAFTINGDESIGNLLC.COM

ARCHITECT:
 PSC

DRAWN BY: KYLE SCHNECK
 CHECKED BY: KYLE SCHNECK

DATE: 01/14/2017
 SHEET: 206

NO.	REVISION/ISSUED	DATE
1	1ST SUBMITTAL	10/07/2016

PROJECT NAME & LOCATION:
AUDI LUBBOCK
 1919 W LOOP 289
 LUBBOCK, TEXAS

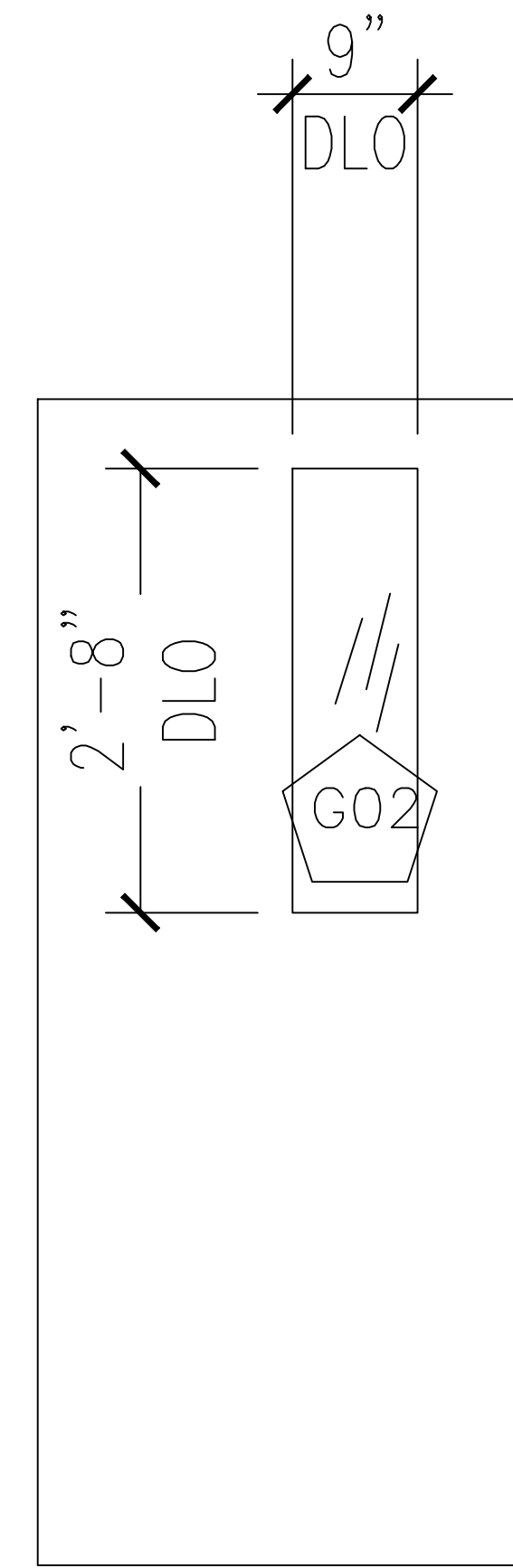
SHEET TITLE:
ELEVATIONS

DRAWN BY:
 KS DRAFTING & DESIGN, LLC
 KYLE SCHNECK
 ASHBURN, VA 20147
 KYLE@KSDRAFTINGDESIGNLLC.COM
 703-999-7814
 KSDRAFTINGDESIGNLLC.COM

ARCHITECT:
 PSC

DRAWN BY: KYLE SCHNECK
 CHECKED BY: KYLE SCHNECK

DATE: 10/07/2016 SHEET: 207

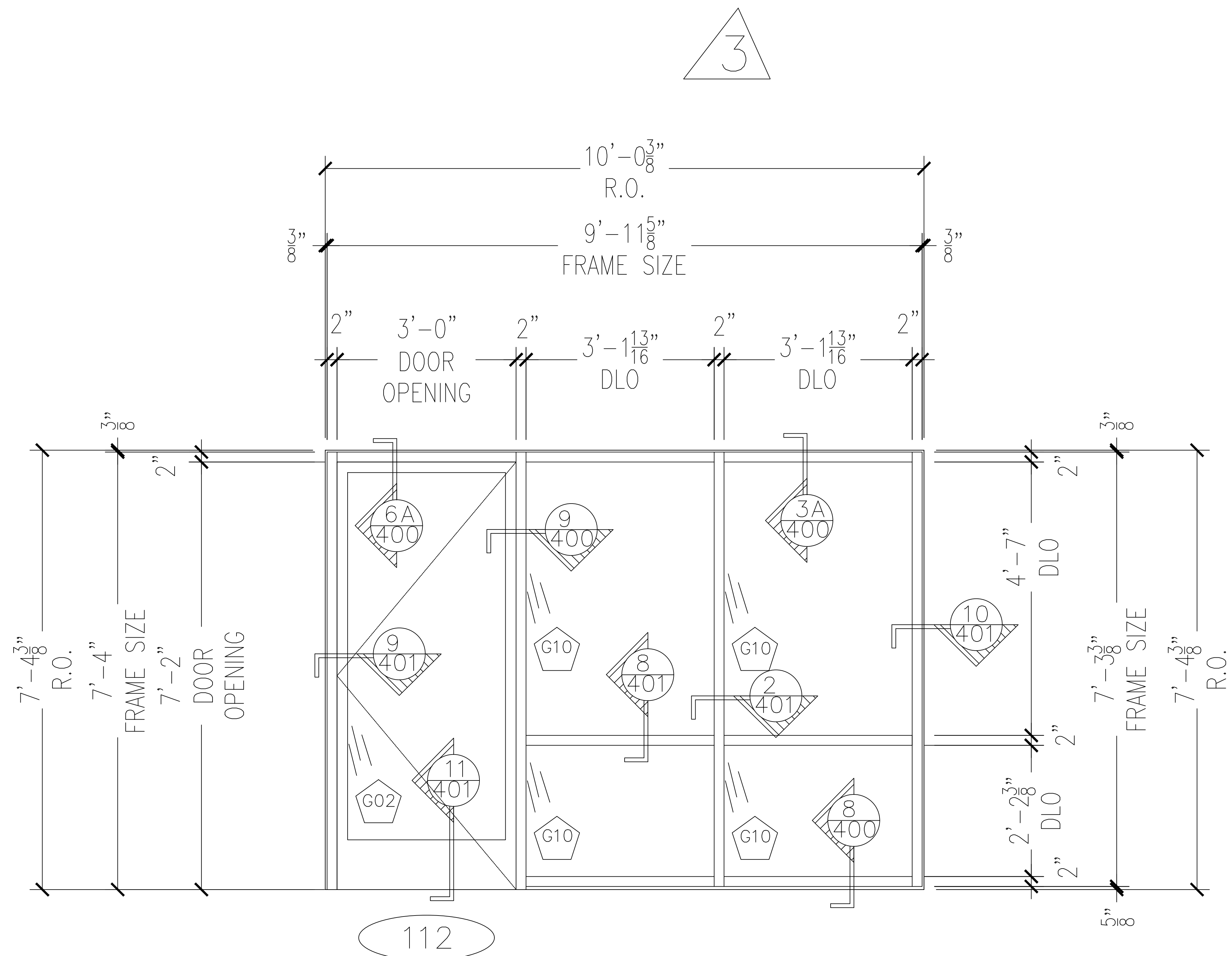


- 021F
- 031F
- 045A

QTY 3

1 DOOR TYPE B
 ARCH. REF.: B/A-601-P1

DOORS AND FRAMES BY OTHERS,
 GLASS BY -



112

TUBELITE T14000 EXTERIOR STOREFRONT
 2" X 4 1/2" FRONT SET, THERMAL FRAMING
 TUBELITE NARROW STILE STOREFRONT DOOR

QTY: 1

1 ELEVATION AT BREAK RM. 112
 ARCH. REF.: AL30/A-605-P2

3

NO.	REVISION/ISSUED	DATE
1	1ST SUBMITTAL	10/07/2016
3	PACKAGE #2	01/23/2017

PROJECT NAME & LOCATION:
 AUDI LUBBOCK
 1919 W LOOP 289
 LUBBOCK, TEXAS

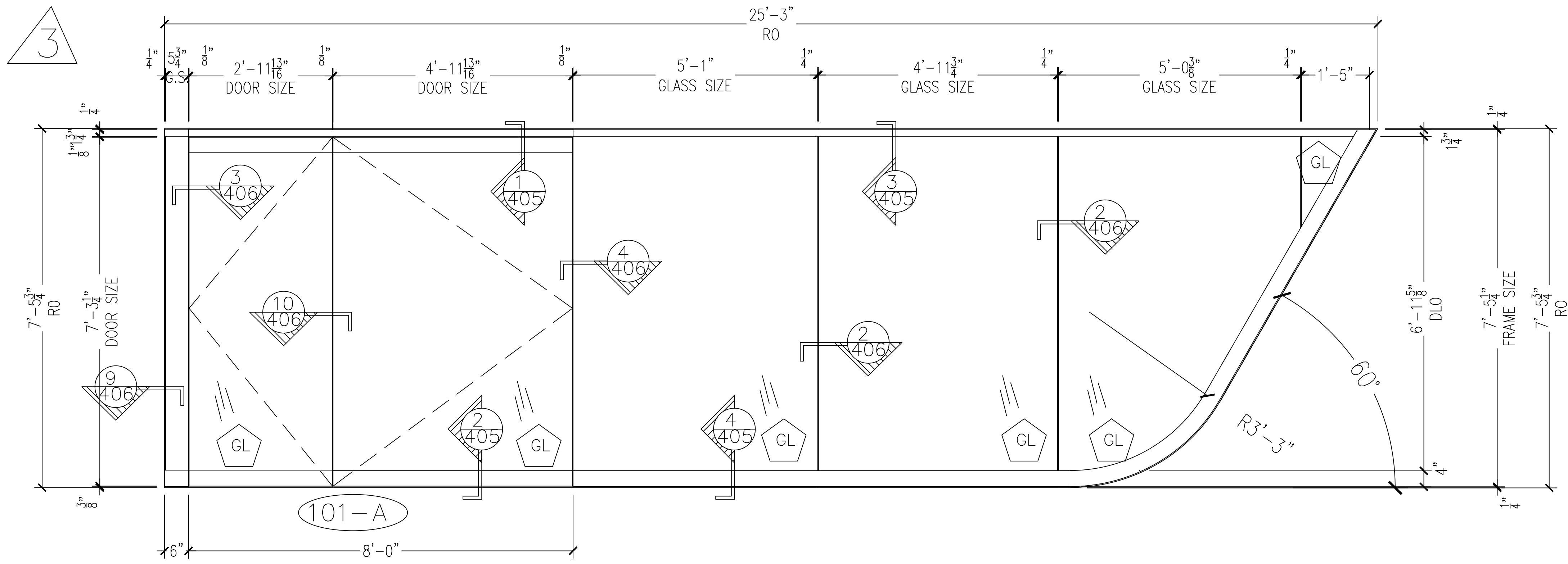
SHEET TITLE:
 ELEVATIONS

DRAWN BY:
 KS DRAFTING & DESIGN, LLC
 KYLE SCHNECK
 ASHBURN, VA 20147
 KYLE@KSDRAFTINGDESIGNLLC.COM
 703-999-7814
 KSDRAFTINGDESIGNLLC.COM

ARCHITECT:
 PSC

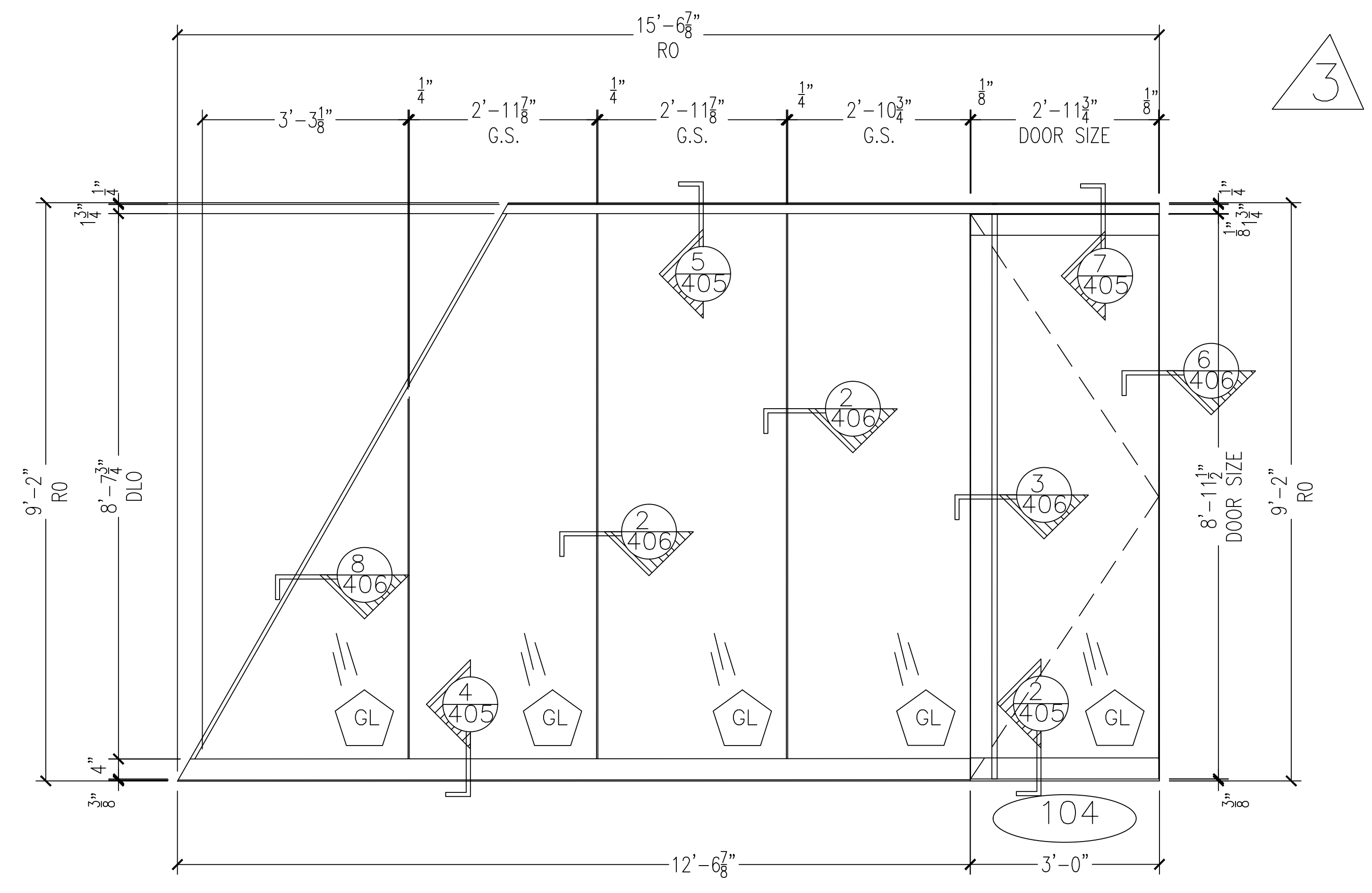
DRAWN BY: KYLE SCHNECK
 CHECKED BY: KYLE SCHNECK

DATE: 01/23/2017
 SHEET: 208



QTY: 1

1 ELEVATION AT ENTRY 101
ARCH. REF.: AL10/A-605-P2



QTY: 1

2 ELEVATION AT DEALER 104
ARCH. REF.: AL11/A-605-P2

NO.	REVISION/ISSUED	DATE
1	1ST SUBMITTAL	10/07/2016
3	PACKAGE #2	01/23/2017

PROJECT NAME & LOCATION:
AUDI LUBBOCK
 1919 W LOOP 289
 LUBBOCK, TEXAS

SHEET TITLE:
ELEVATIONS

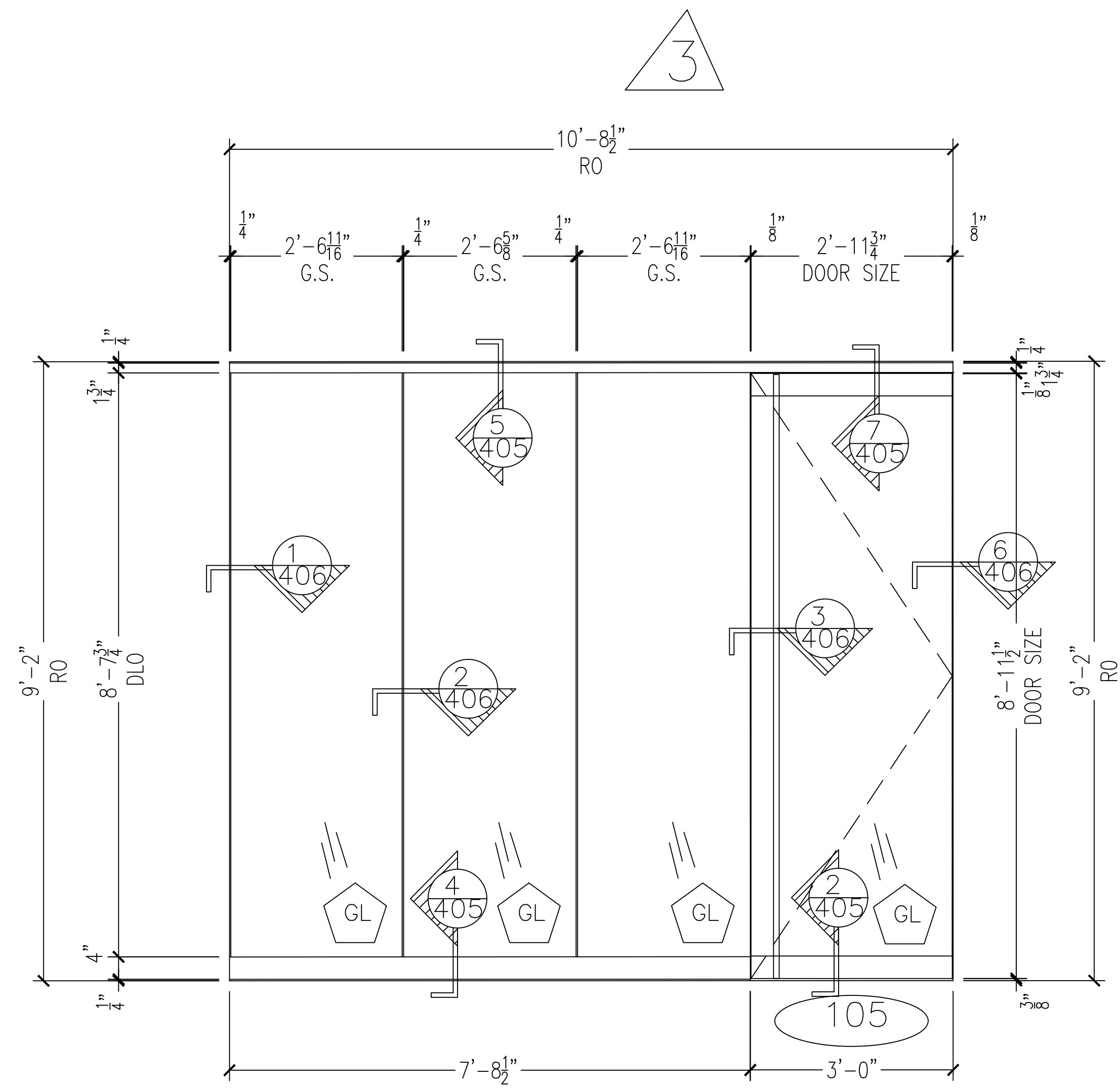
DRAWN BY:
 KS DRAFTING & DESIGN, LLC
 KYLE SCHNECK
 ASHBURN, VA 20147
 KYLE@KSDRAFTINGDESIGNLLC.COM
 703-999-7814
 KSDRAFTINGDESIGNLLC.COM

ARCHITECT:
 PSC

DRAWN BY: KYLE SCHNECK
 CHECKED BY: KYLE SCHNECK

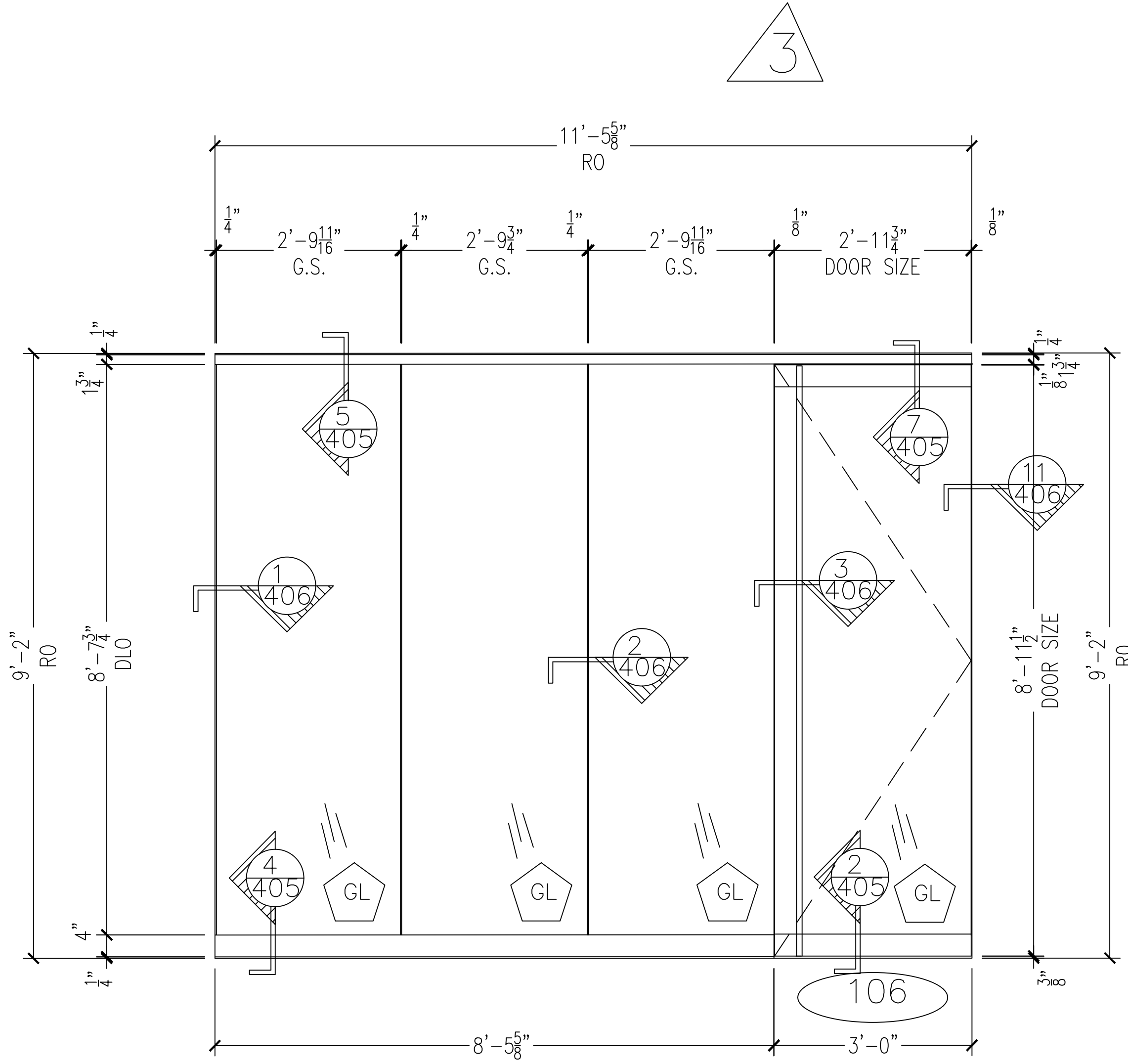
DATE: 01/23/2017
 SHEET: 209

NO.	REVISION/ISSUED	DATE
1	1ST SUBMITTAL	10/07/2016
3	PACKAGE #2	01/23/2017



QTY: 1

1 ELEVATION AT SALES MANAGER 105
ARCH. REF.: AL12/A-605-P2



QTY: 1

2 ELEVATION AT F&I OFFICE 106
ARCH. REF.: AL13/A-605-P2

PROJECT NAME & LOCATION:
AUDI LUBBOCK
 1919 W LOOP 289
 LUBBOCK, TEXAS

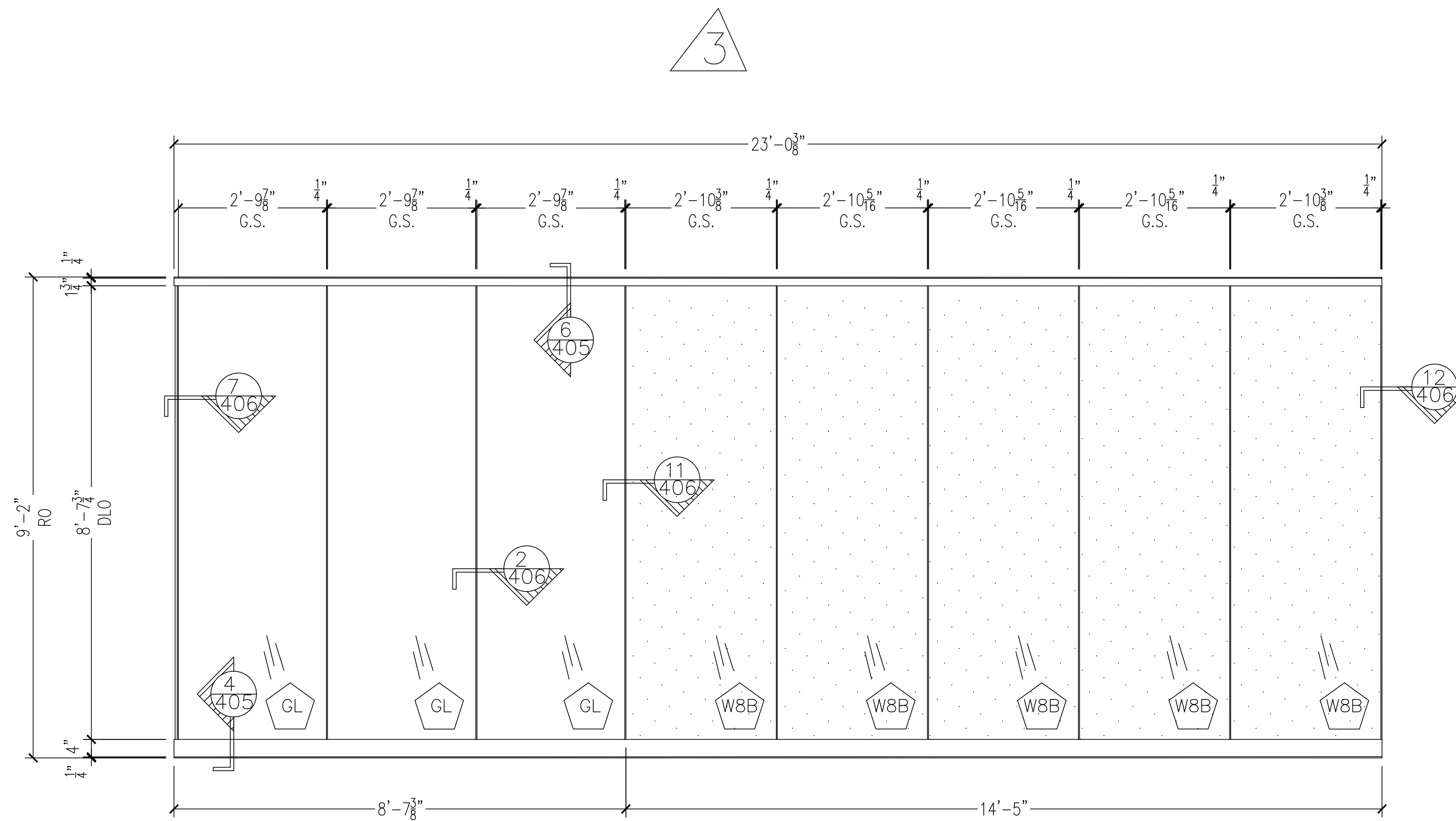
SHEET TITLE:
ELEVATIONS

DRAWN BY:
 KS DRAFTING & DESIGN, LLC
 KYLE SCHNECK
 ASHBURN, VA 20147
 KYLE@KSDRAFTINGDESIGNLLC.COM
 703-999-7814
 KSDRAFTINGDESIGNLLC.COM

ARCHITECT:
 PSC

DRAWN BY: KYLE SCHNECK
 CHECKED BY: KYLE SCHNECK

DATE: 01/23/2017
 SHEET: 210



QTY: 1

1 ELEVATION AT VEHICLE HANDOVER 107
 ARCH. REF.: AL14-AL15/A-605-P2

NO.	REVISION/ISSUED	DATE
1	1ST SUBMITTAL	10/07/2016
3	PACKAGE #2	01/23/2017

PROJECT NAME & LOCATION:
 AUDI LUBBOCK
 1919 W LOOP 289
 LUBBOCK, TEXAS

SHEET TITLE:
 ELEVATIONS

DRAWN BY:
 KS DRAFTING & DESIGN, LLC
 KYLE SCHNECK
 ASHBURN, VA 20147
 KYLE@KSDRAFTINGDESIGNLLC.COM
 703-999-7814
 KSDRAFTINGDESIGNLLC.COM

ARCHITECT:
 PSC

DRAWN BY: KYLE SCHNECK
 CHECKED BY: KYLE SCHNECK

DATE: 01/23/2017
 SHEET: 211

NO.	REVISION/ISSUED	DATE
1	1ST SUBMITTAL	10/07/2016
3	PACKAGE #2	01/23/2017

PROJECT NAME & LOCATION:
AUDI LUBBOCK
 1919 W LOOP 289
 LUBBOCK, TEXAS

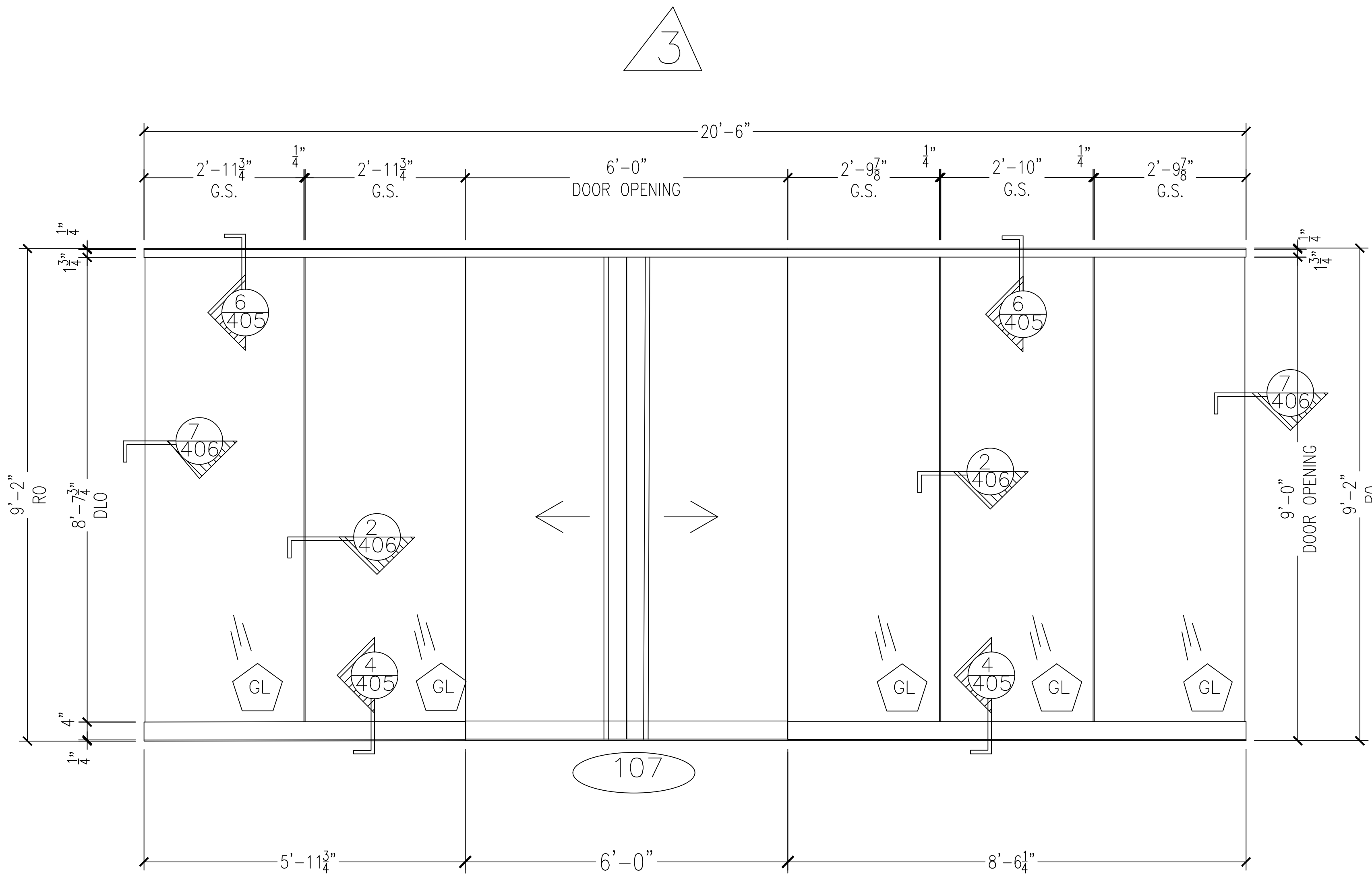
SHEET TITLE:
ELEVATIONS

DRAWN BY:
 KS DRAFTING & DESIGN, LLC
 KYLE SCHNECK
 ASHBURN, VA 20147
 KYLE@KSDRAFTINGDESIGNLLC.COM
 703-999-7814
 KSDRAFTINGDESIGNLLC.COM

ARCHITECT:
 PSC

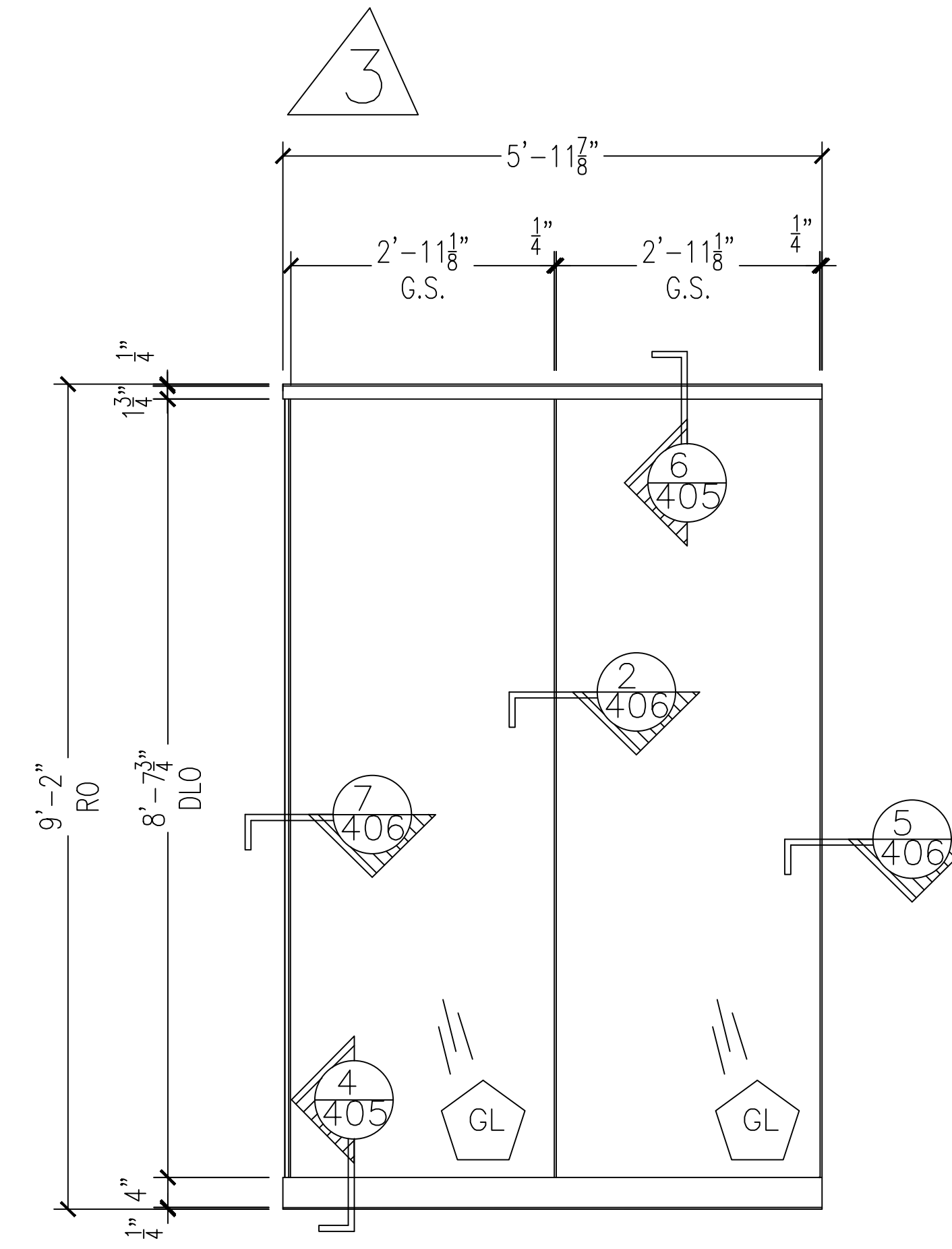
DRAWN BY: KYLE SCHNECK
 CHECKED BY: KYLE SCHNECK

DATE: 01/23/2017
 SHEET: 212



HAWA DOOR SHOP DRAWING
 SUBMITTAL DATE T.B.D.

QTY: 1
 1 ELEVATION AT VEHICLE HANDOVER 107
 ARCH. REF.: AL16/A-605-P2



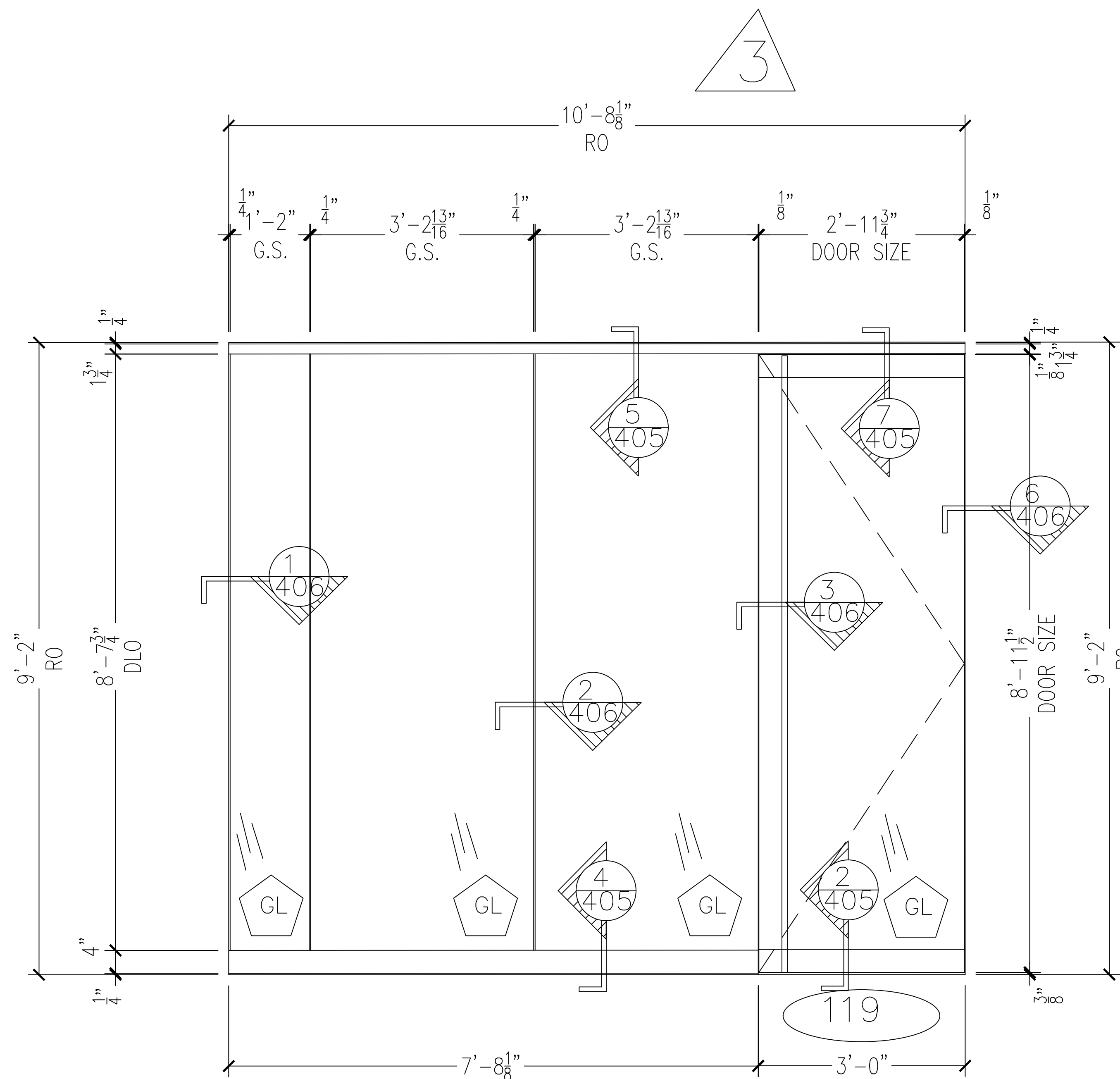
QTY: 1

2 ELEVATION AT VEHICLE HANDOVER 107
 ARCH. REF.: AL17/A-605-P2

NO.	REVISION/ISSUED	DATE
1	1ST SUBMITTAL	10/07/2016
3	PACKAGE #2	01/23/2017

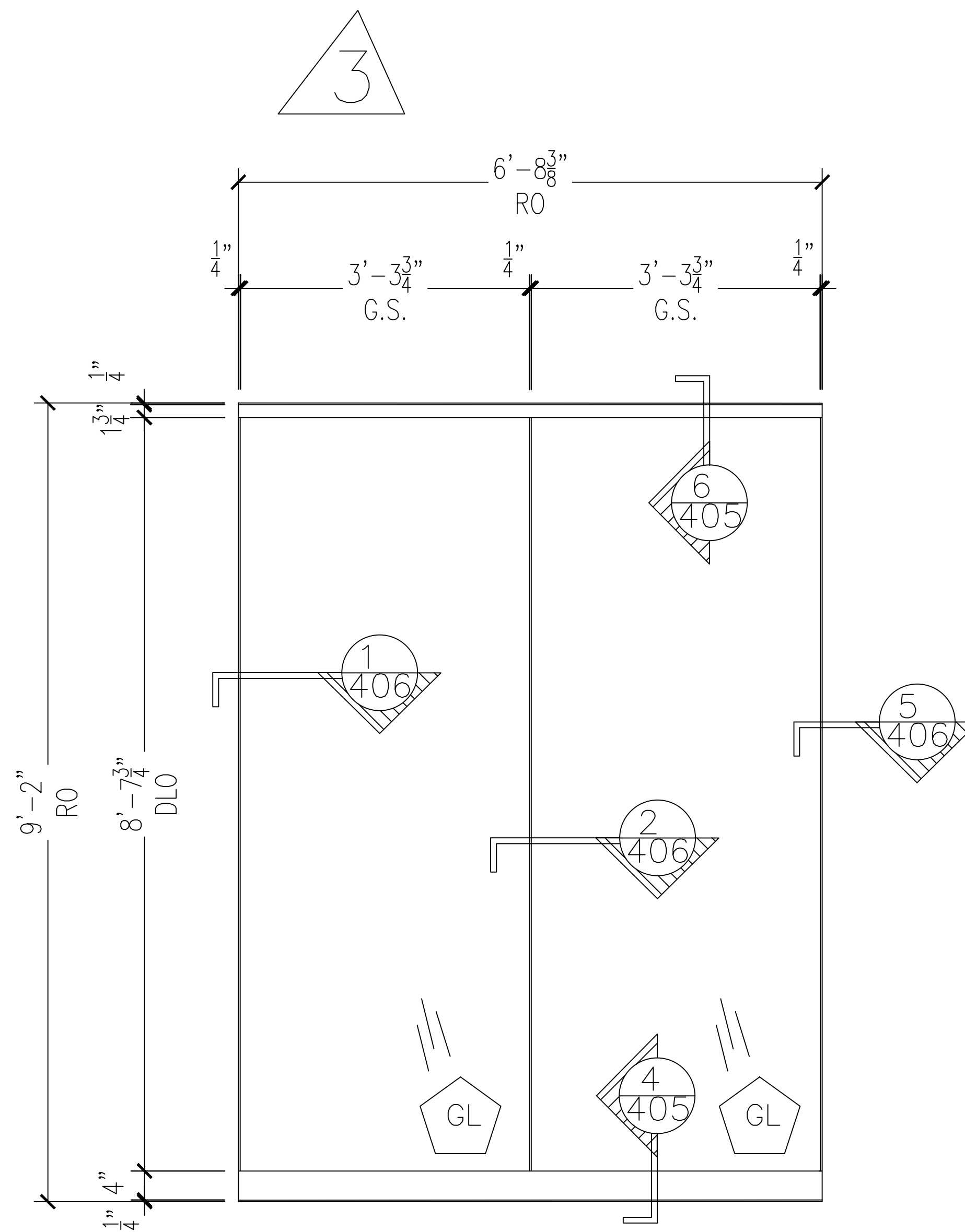
PROJECT NAME & LOCATION:
AUDI LUBBOCK
 1919 W LOOP 289
 LUBBOCK, TEXAS

SHEET TITLE:
ELEVATIONS



QTY: 1

1 ELEVATION AT SERVICE MANAGER 119
 ARCH. REF.: AL18/A-605-P2



QTY: 1

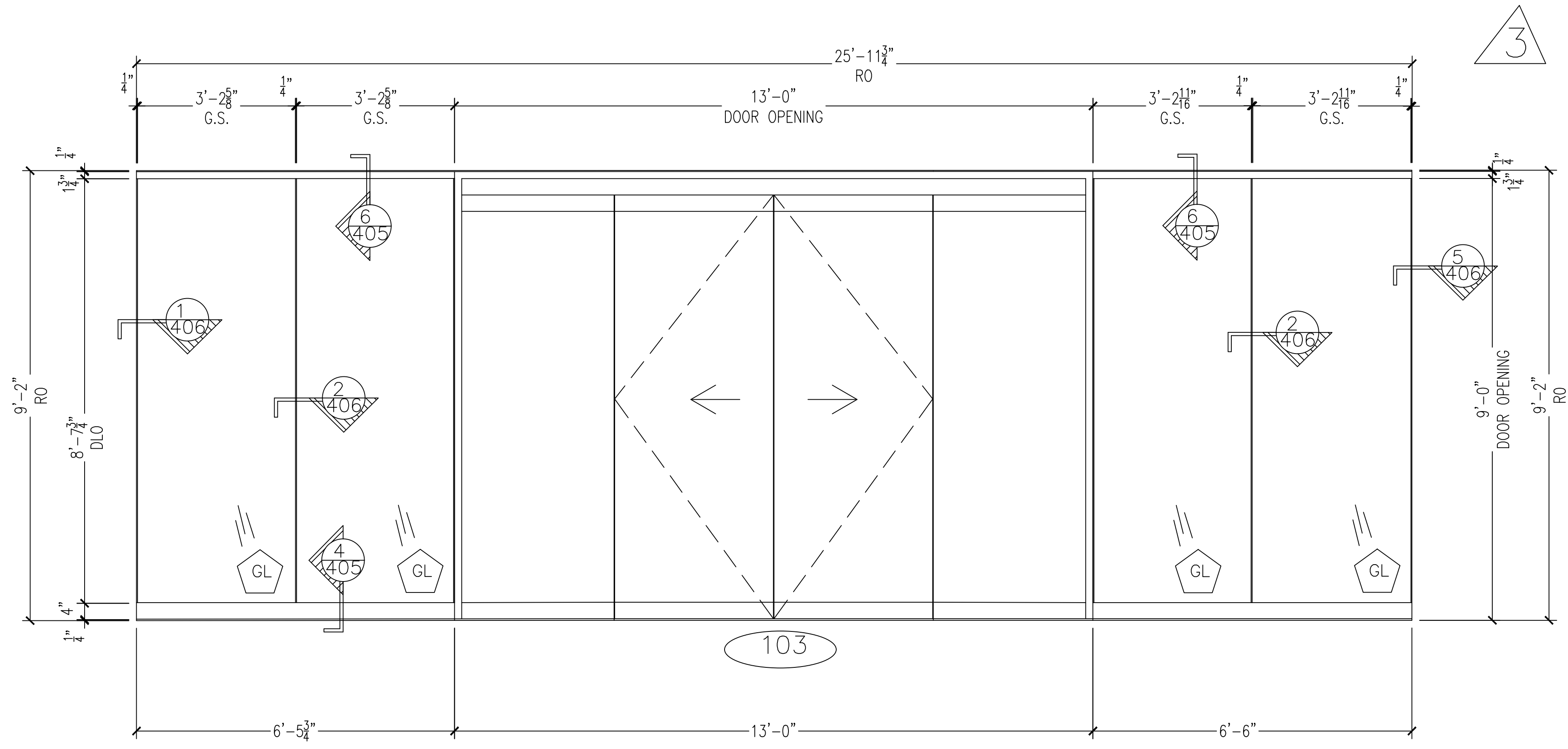
2 ELEVATION AT CONFERENCE 115
 ARCH. REF.: AL19/A-605-P2

DRAWN BY:
 KS DRAFTING & DESIGN, LLC
 KYLE SCHNECK
 ASHBURN, VA 20147
 KYLE@KSDRAFTINGDESIGNLLC.COM
 703-999-7814
 KSDRAFTINGDESIGNLLC.COM

ARCHITECT:
 PSC

DRAWN BY: KYLE SCHNECK
 CHECKED BY: KYLE SCHNECK

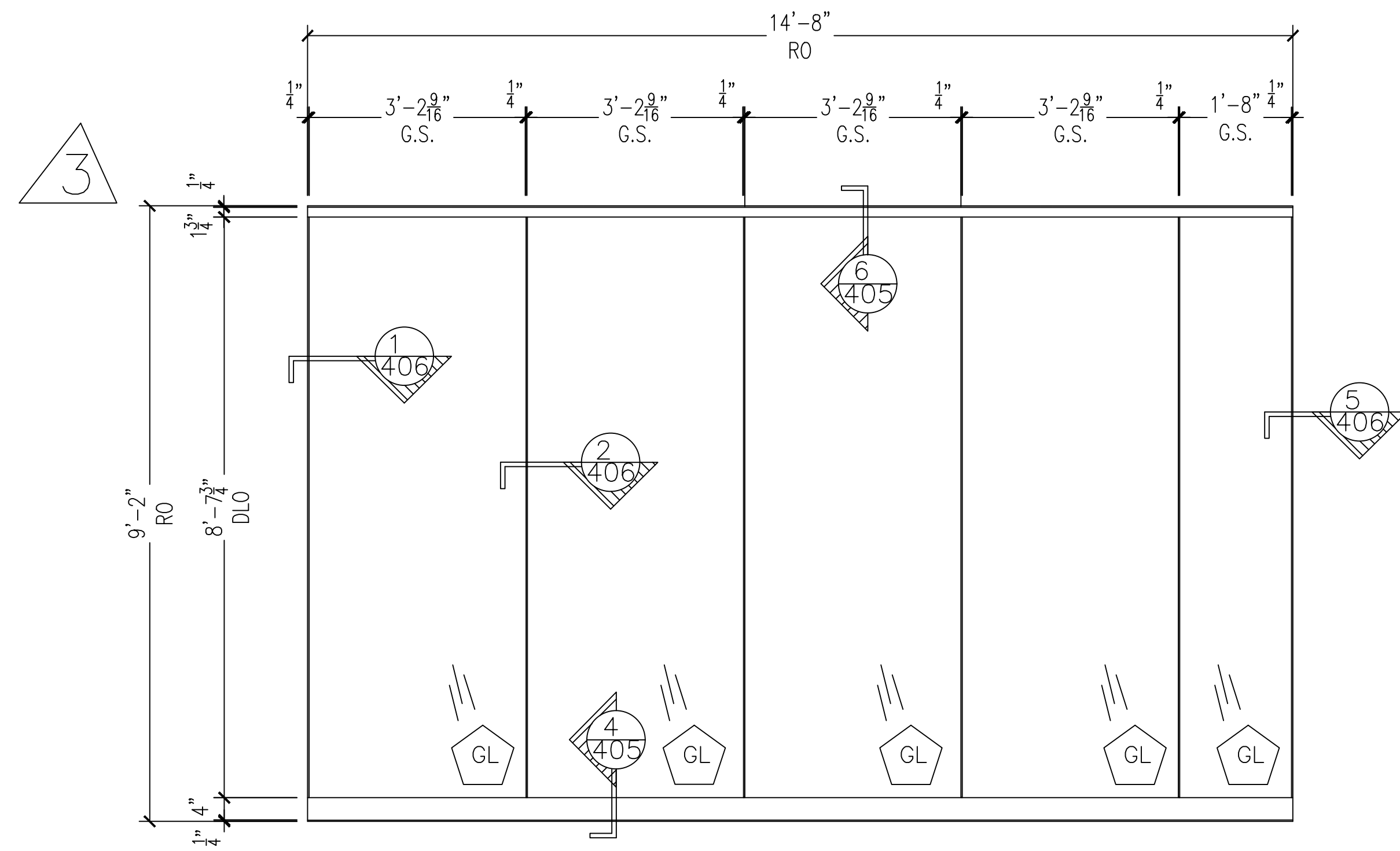
DATE: 01/23/2017
 SHEET: 213



DORMA DOOR SHOP DRAWING
SUBMITTAL DATE T.B.D.

QTY: 1

1 ELEVATION AT SERVICE WRITE UP 103
ARCH. REF.: AL20/A-605-P2



QTY: 1

2 ELEVATION AT SERVICE MANAGER 119
ARCH. REF.: AL21/A-605-P2

NO.	REVISION/ISSUED	DATE
1	1ST SUBMITTAL	10/07/2016
3	PACKAGE #2	01/23/2017

PROJECT NAME & LOCATION:
AUDI LUBBOCK
1919 W LOOP 289
LUBBOCK, TEXAS

SHEET TITLE:
ELEVATIONS

DRAWN BY:
KS DRAFTING & DESIGN, LLC
KYLE SCHNECK
ASHBURN, VA 20147
KYLE@KSDRAFTINGDESIGNLLC.COM
703-999-7814
KSDRAFTINGDESIGNLLC.COM

ARCHITECT:
PSC

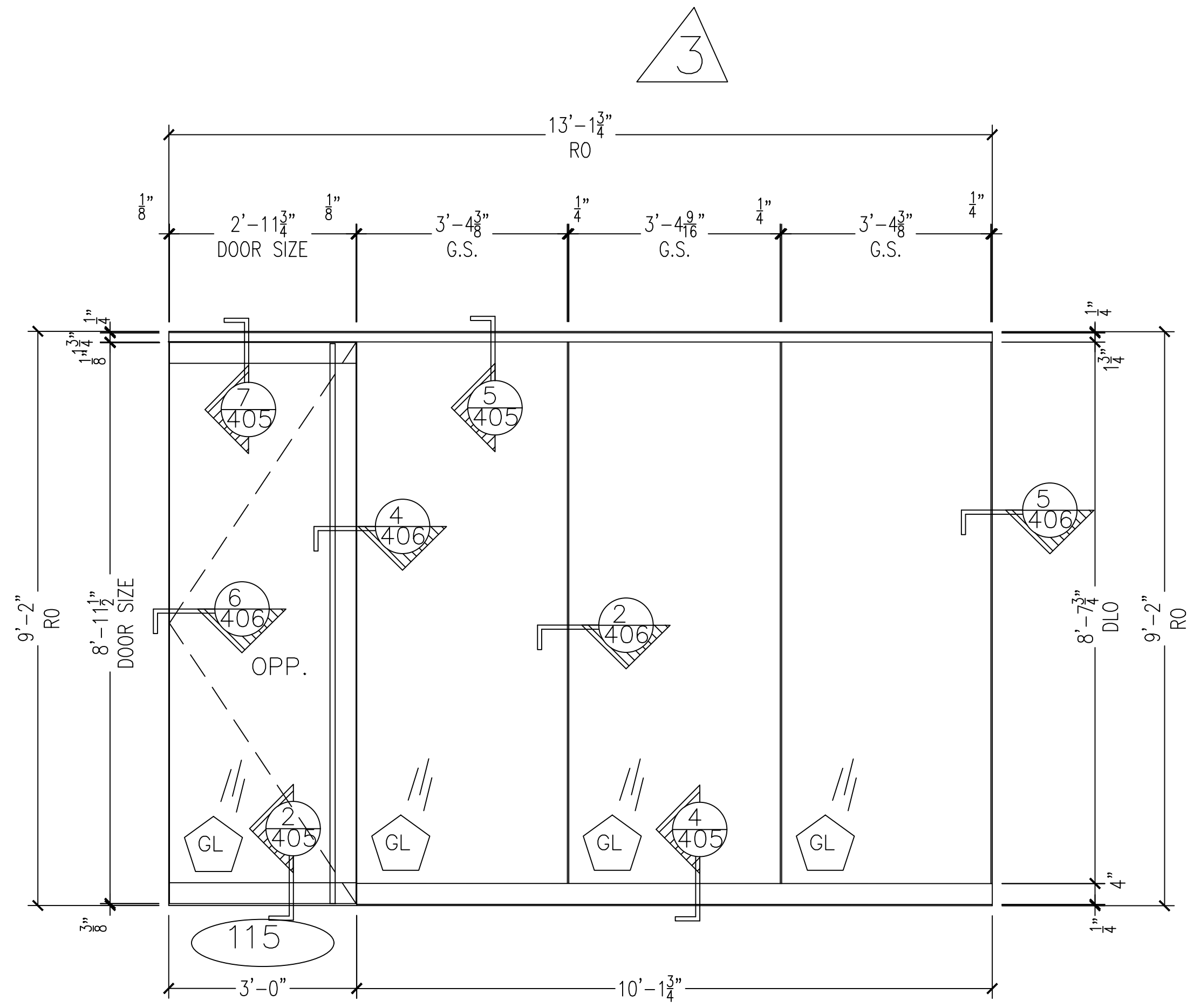
DRAWN BY: KYLE SCHNECK
CHECKED BY: KYLE SCHNECK

DATE: 01/23/2017
SHEET: 214

NO.	REVISION/ISSUED	DATE
1	1ST SUBMITTAL	10/07/2016
3	PACKAGE #2	01/23/2017

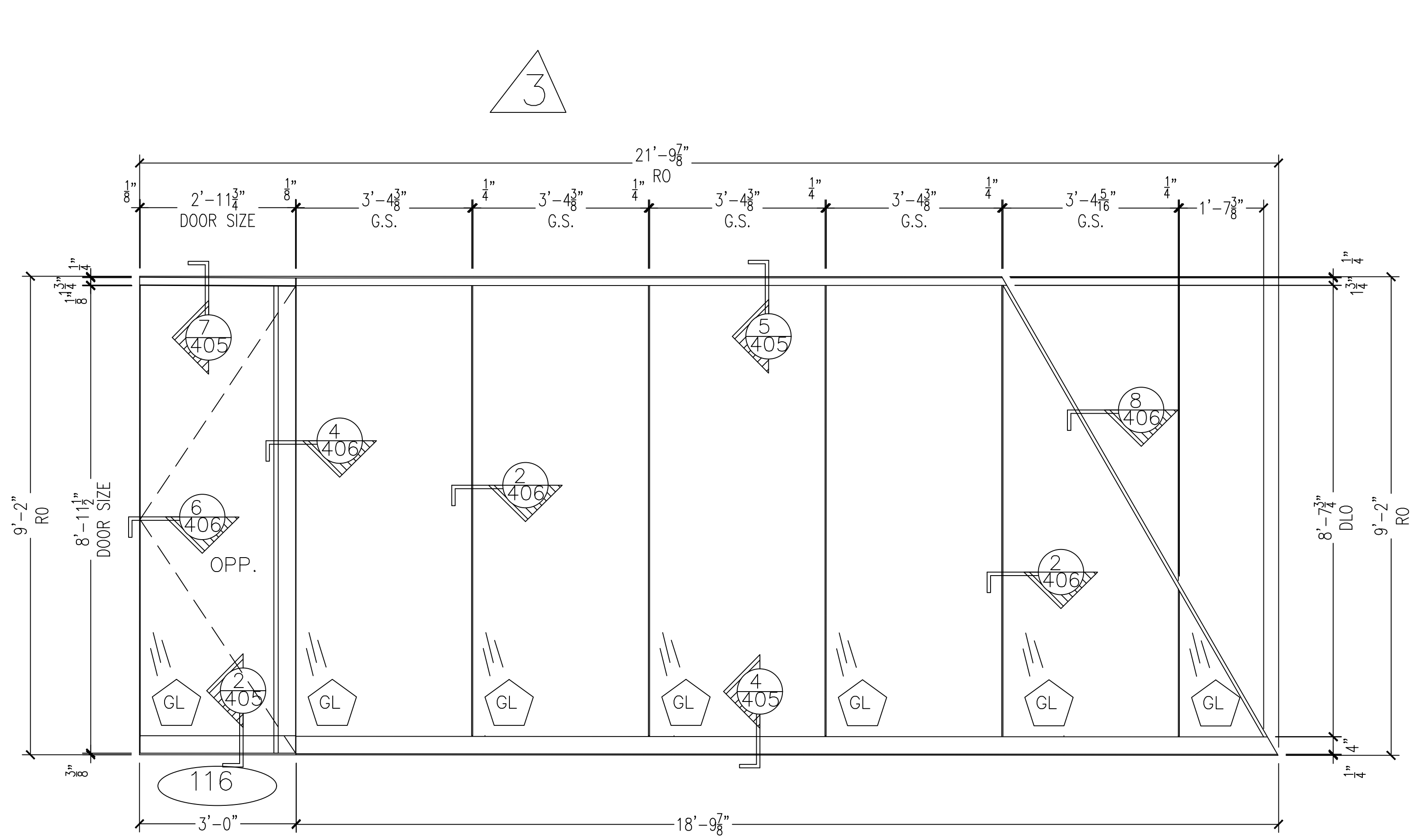
PROJECT NAME & LOCATION:
AUDI LUBBOCK
 1919 W LOOP 289
 LUBBOCK, TEXAS

SHEET TITLE:
ELEVATIONS



QTY: 1

1 ELEVATION AT CONFERENCE 115
 ARCH. REF.: AL22/A-605-P2



QTY: 1

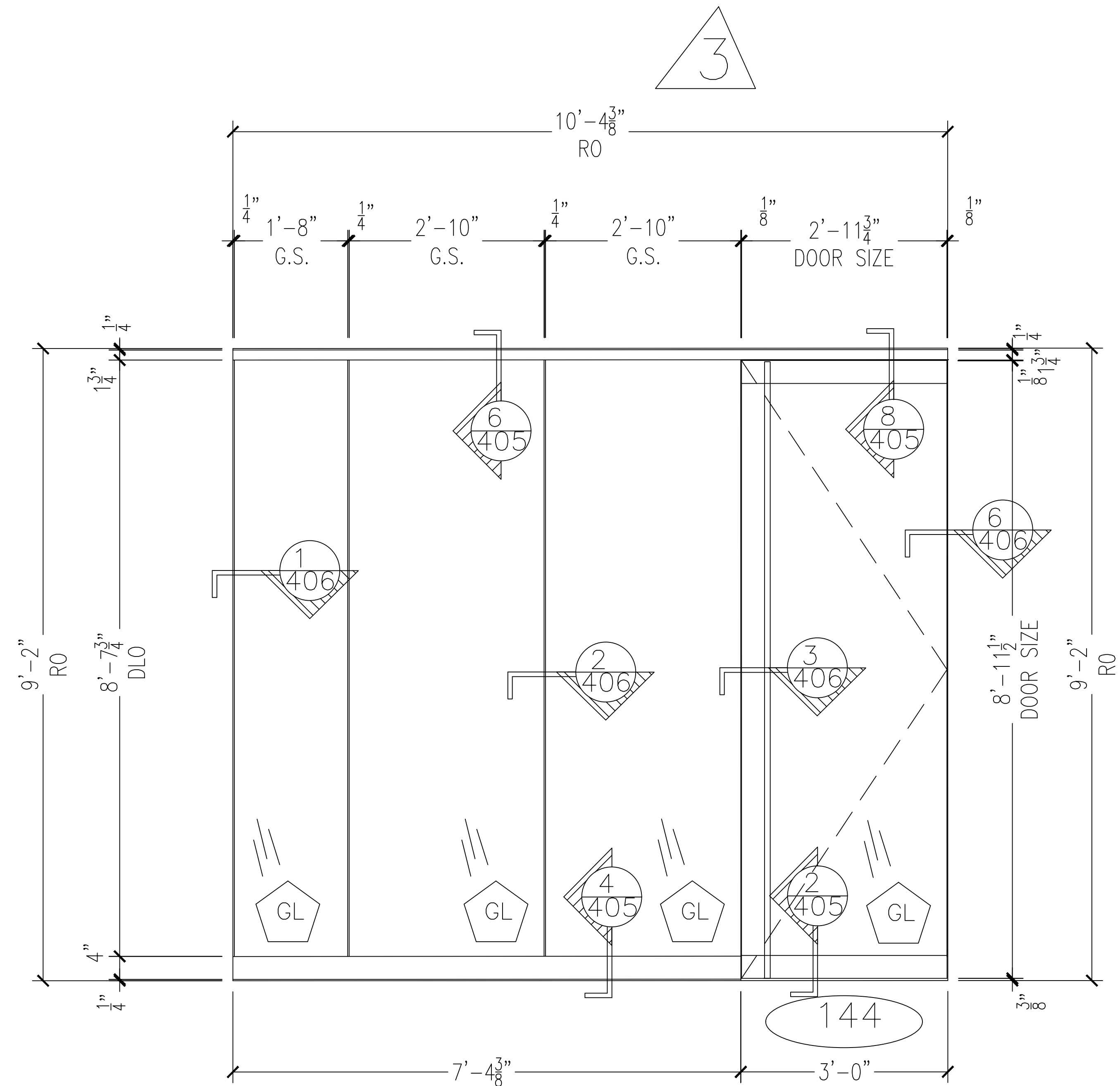
2 ELEVATION AT MANAGER 116
 ARCH. REF.: AL23/A-605-P2

DRAWN BY:
 KS DRAFTING & DESIGN, LLC
 KYLE SCHNECK
 ASHBURN, VA 20147
 KYLE@KSDRAFTINGDESIGNLLC.COM
 703-999-7814
 KSDRAFTINGDESIGNLLC.COM

ARCHITECT:
 PSC

DRAWN BY: KYLE SCHNECK
 CHECKED BY: KYLE SCHNECK

DATE: 01/23/2017
 SHEET: 215



QTY: 1

1 ELEVATION AT PARTS MANAGER 144
 ARCH. REF.: AL24/A-605-P2

NO.	REVISION/ISSUED	DATE
1	1ST SUBMITTAL	10/07/2016
3	PACKAGE #2	01/23/2017

PROJECT NAME & LOCATION:
 AUDI LUBBOCK
 1919 W LOOP 289
 LUBBOCK, TEXAS

SHEET TITLE:
 ELEVATIONS

DRAWN BY:
 KS DRAFTING & DESIGN, LLC
 KYLE SCHNECK
 ASHBURN, VA 20147
 KYLE@KSDRAFTINGDESIGNLLC.COM
 703-999-7814
 KSDRAFTINGDESIGNLLC.COM

ARCHITECT:
 PSC

DRAWN BY: KYLE SCHNECK
 CHECKED BY: KYLE SCHNECK

DATE: 01/23/2017
 SHEET: 216

NO.	REVISION/ISSUED	DATE
1	1ST SUBMITTAL	10/07/2016
2	REVISIONS	01/14/2017
3	PACKAGE #2	01/23/2017
4	REVISIONS	02/09/2017

PROJECT NAME & LOCATION:
AUDI LUBBOCK
 1919 W LOOP 289
 LUBBOCK, TEXAS

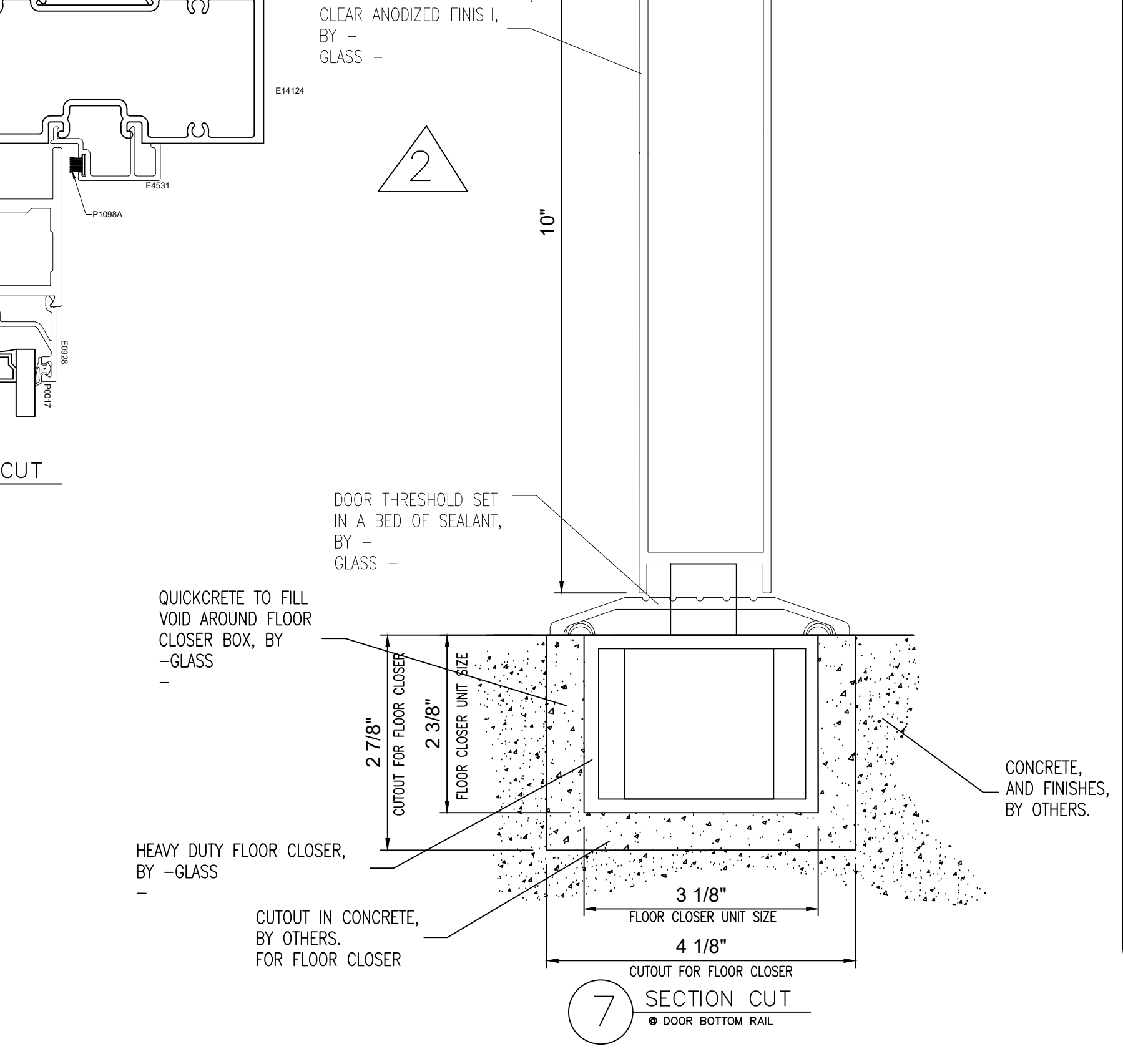
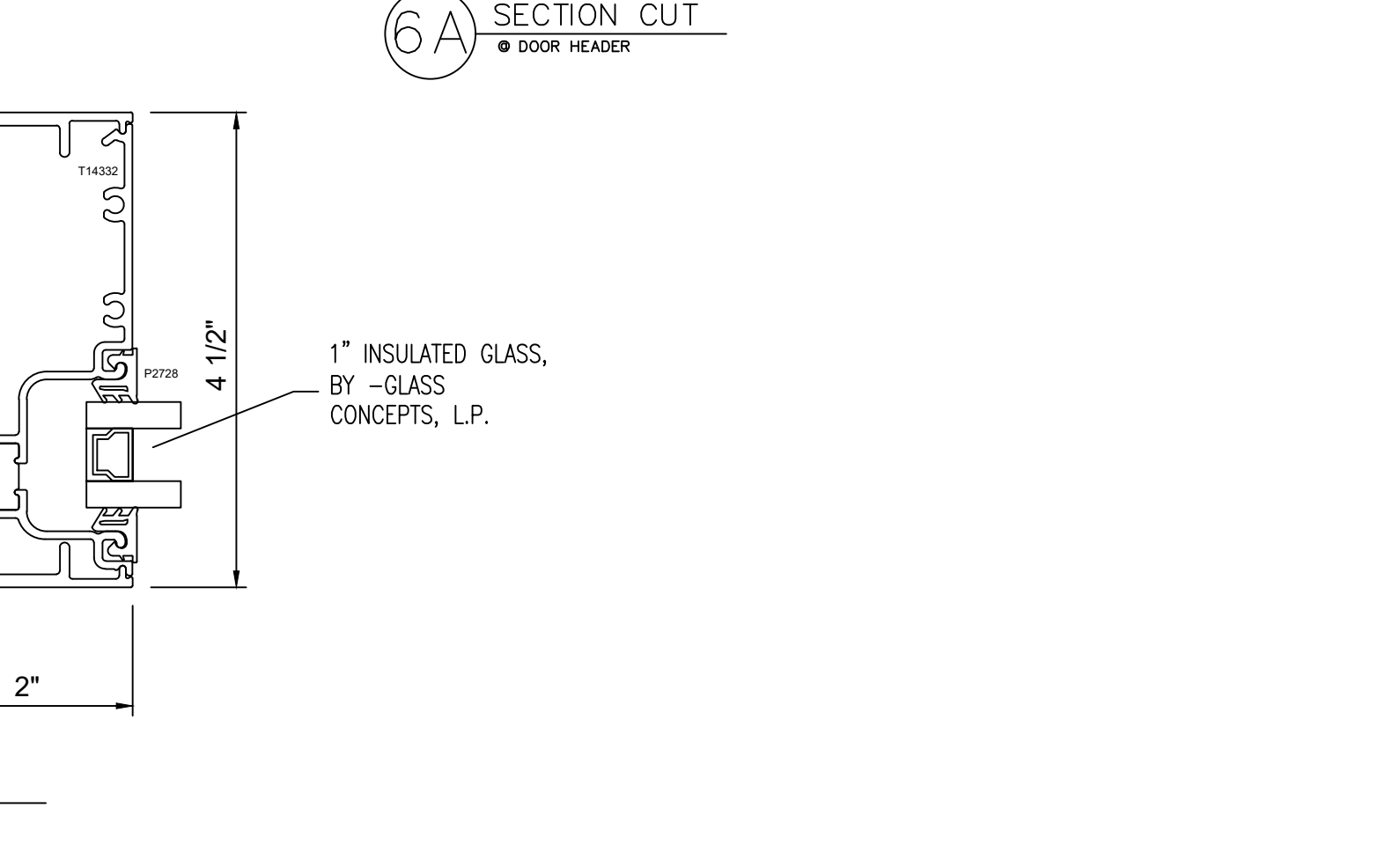
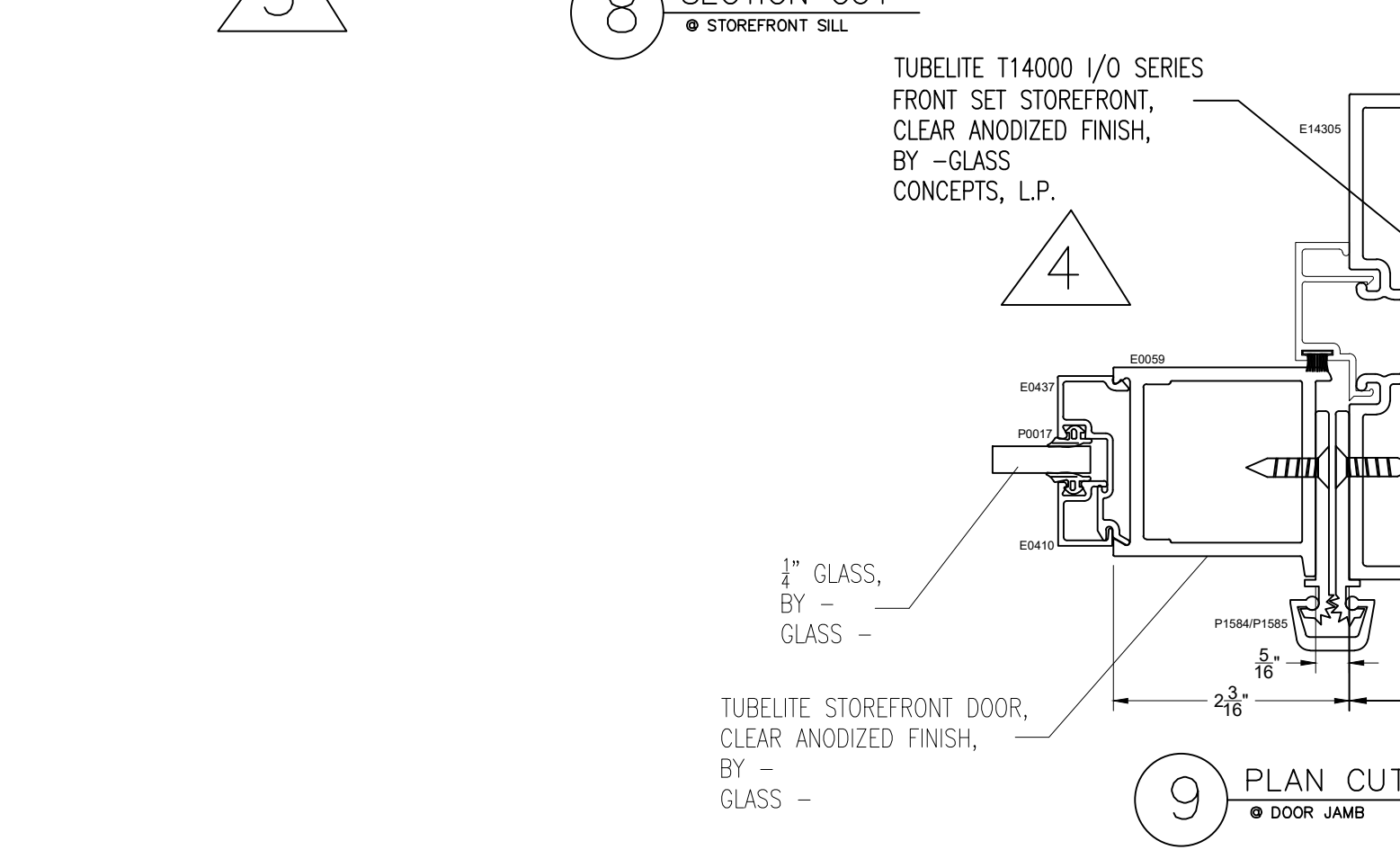
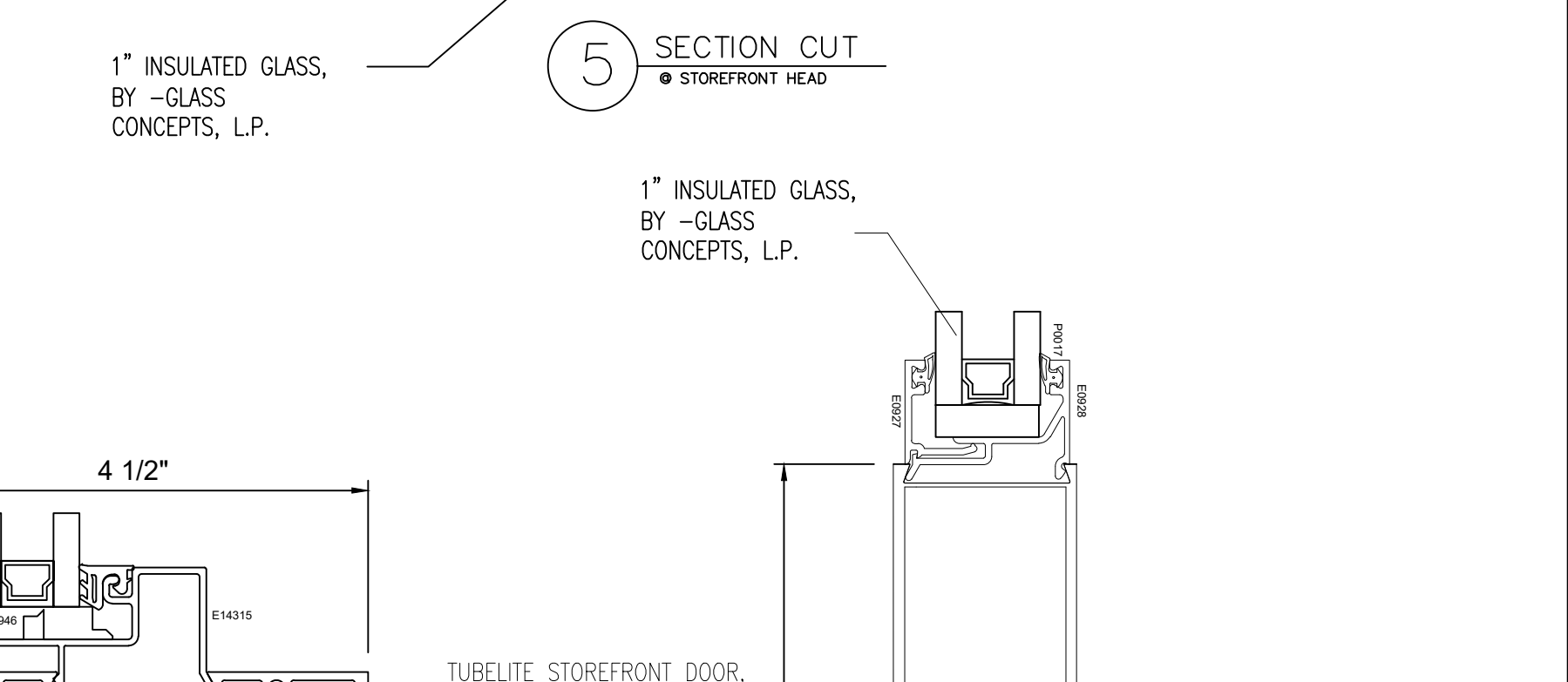
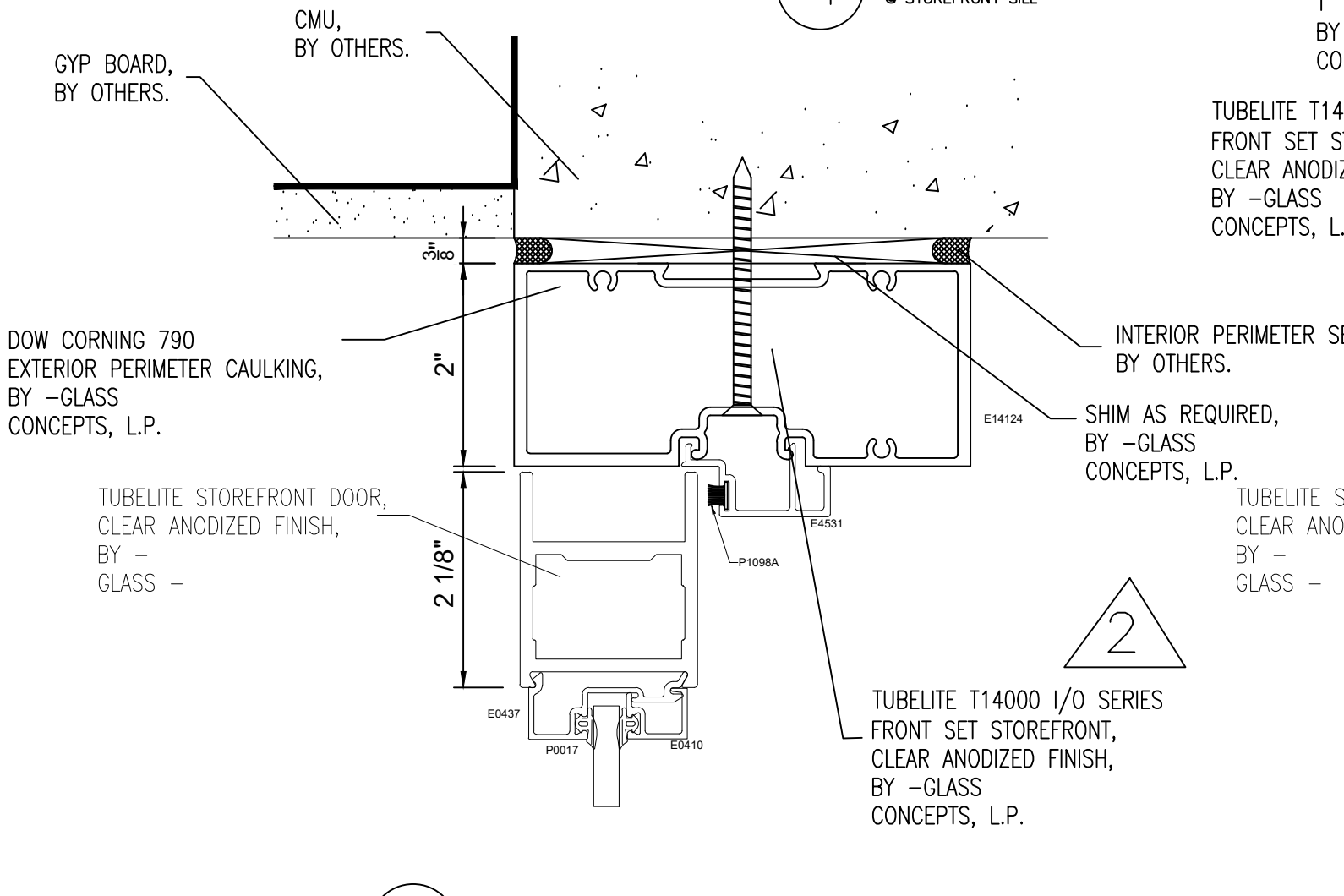
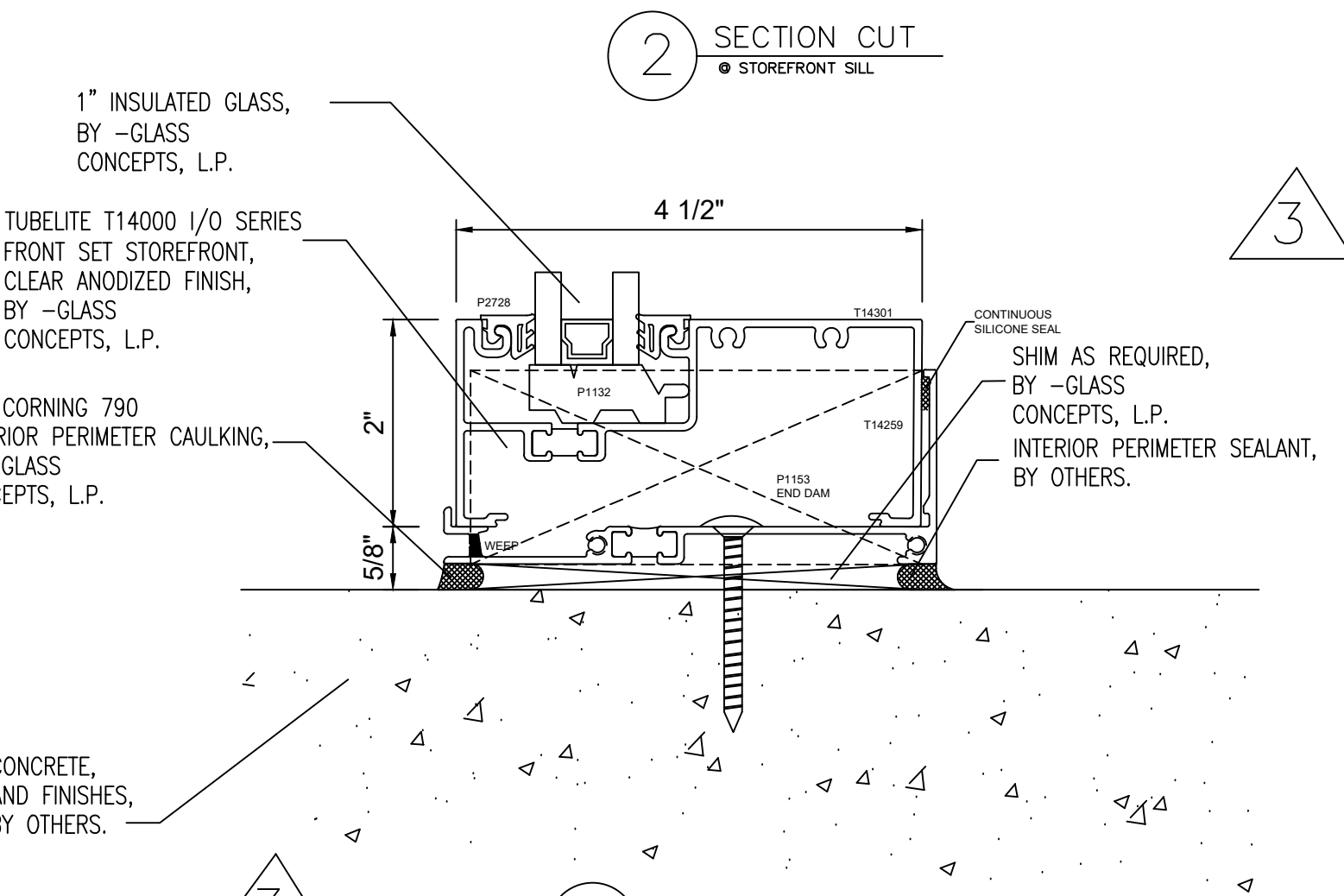
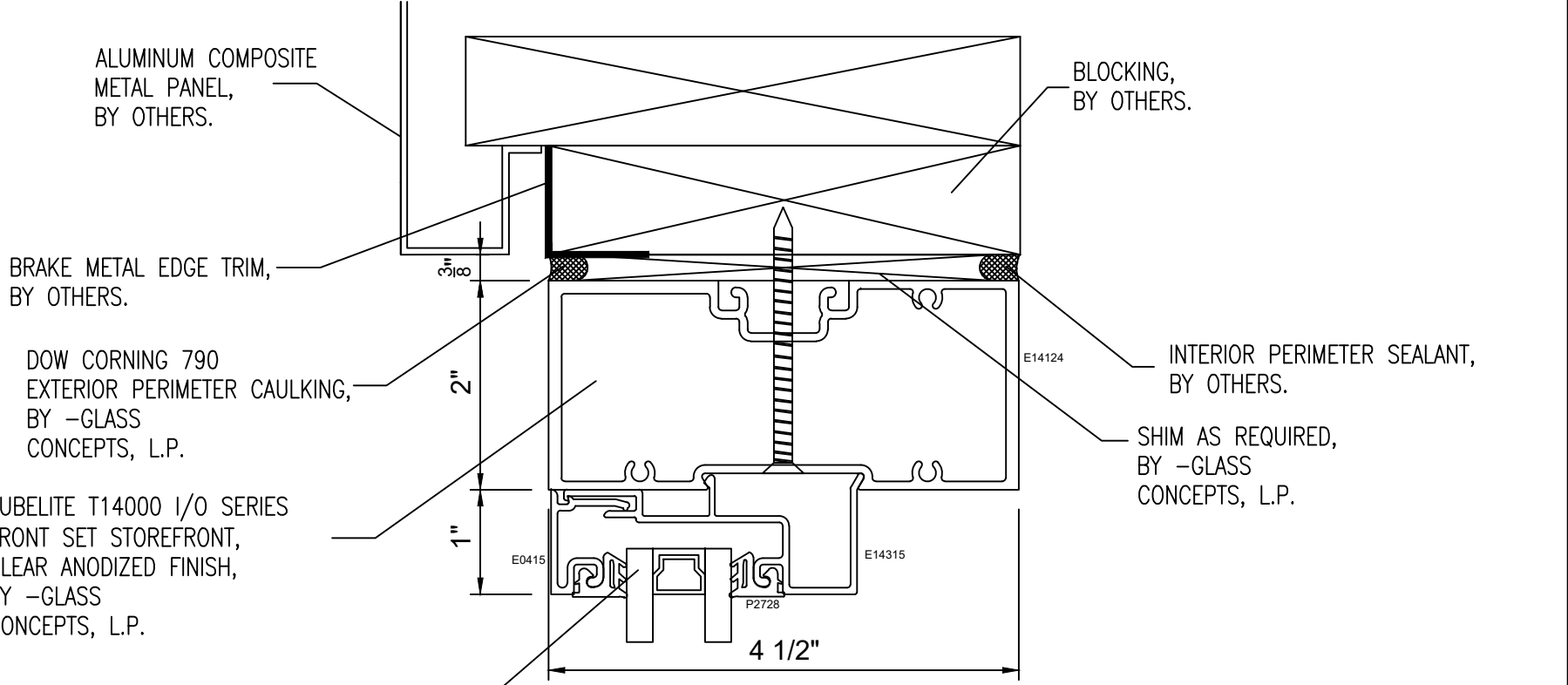
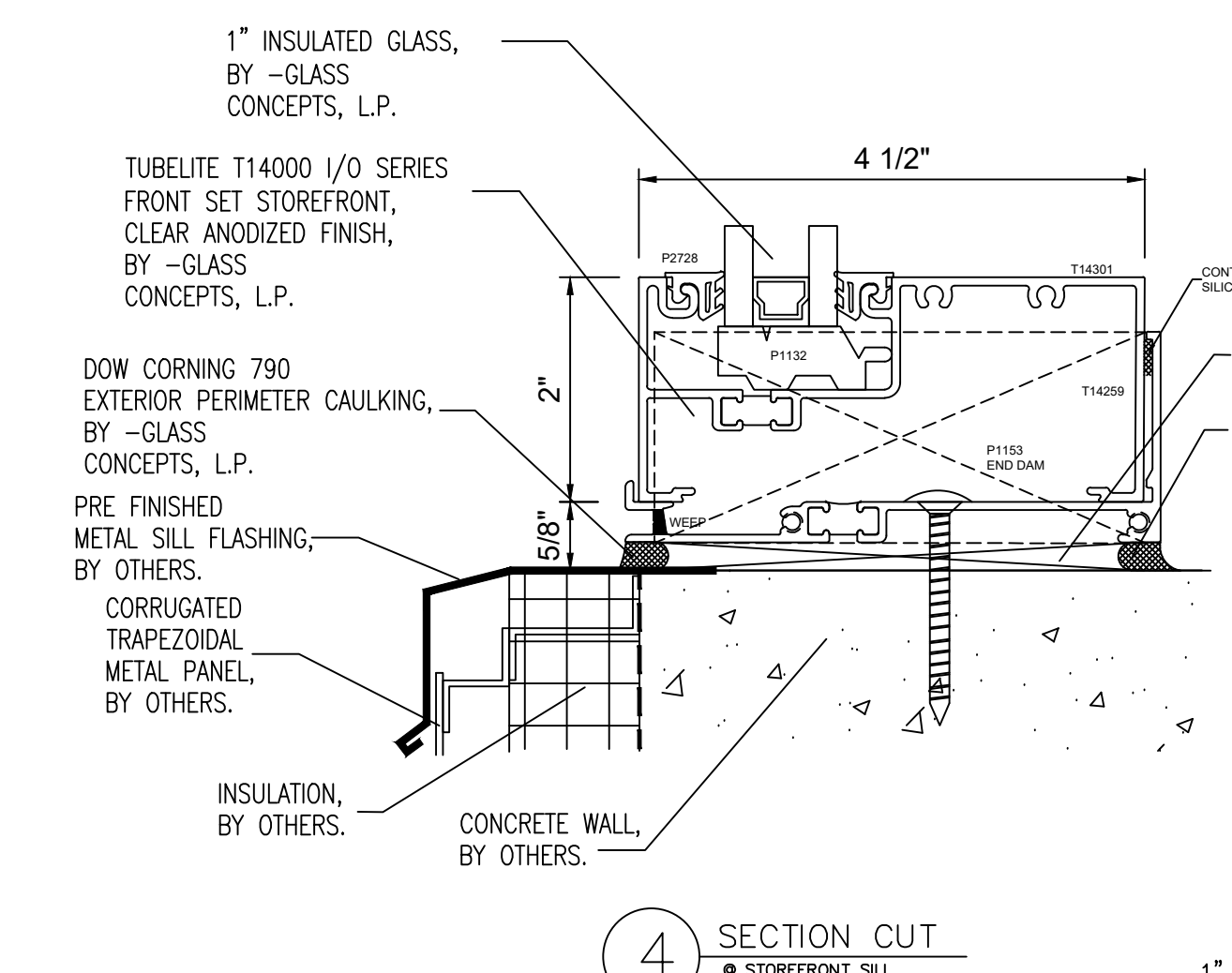
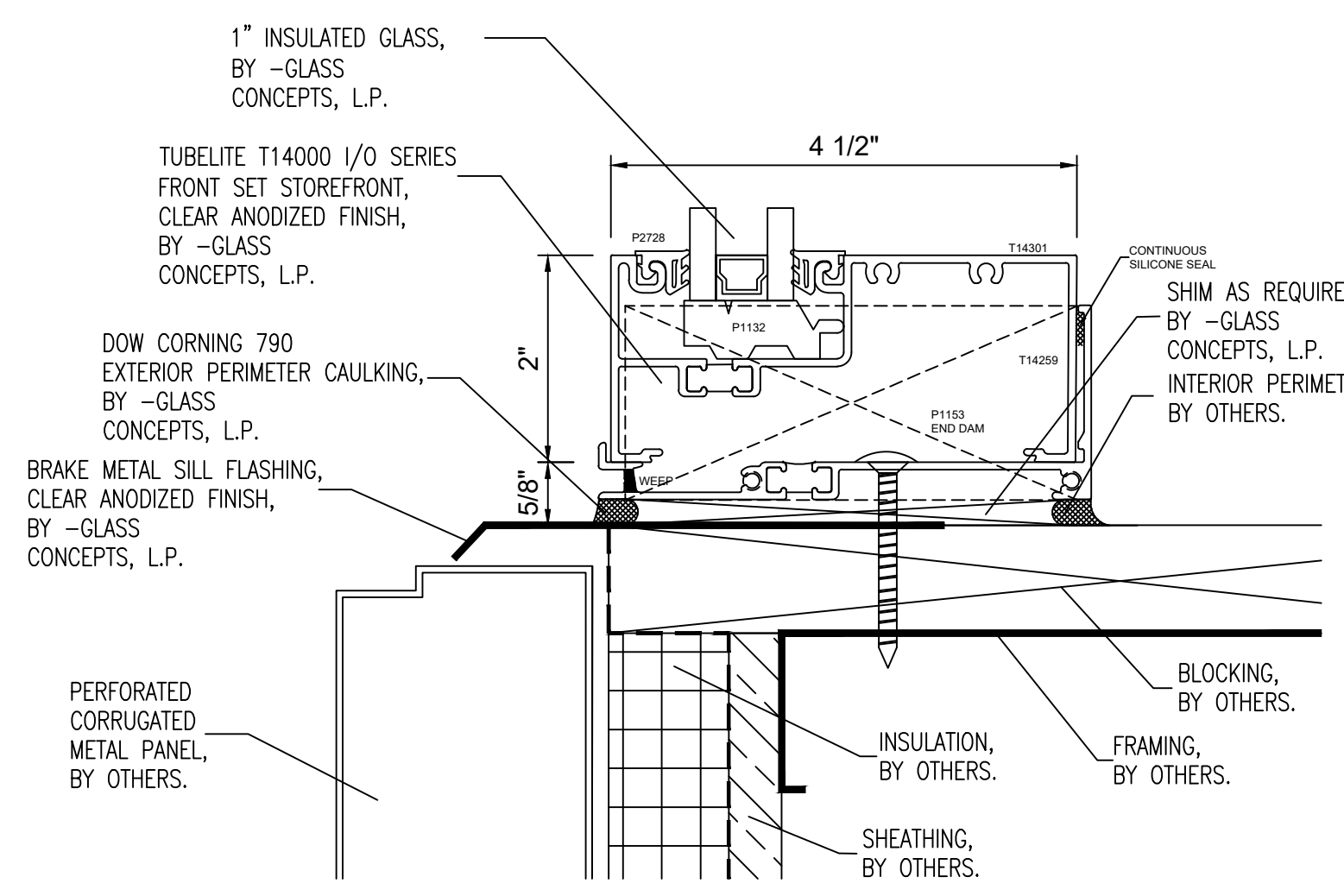
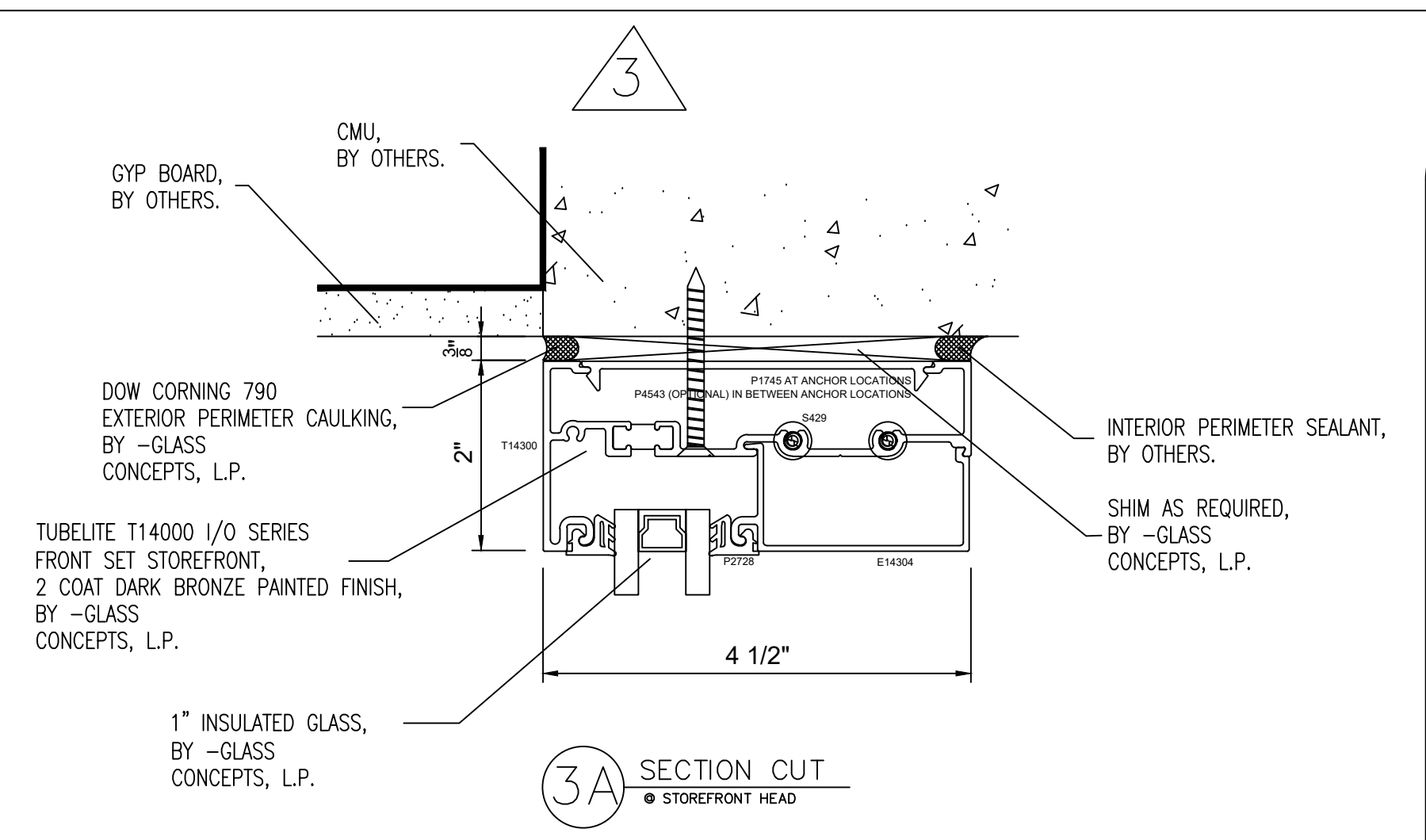
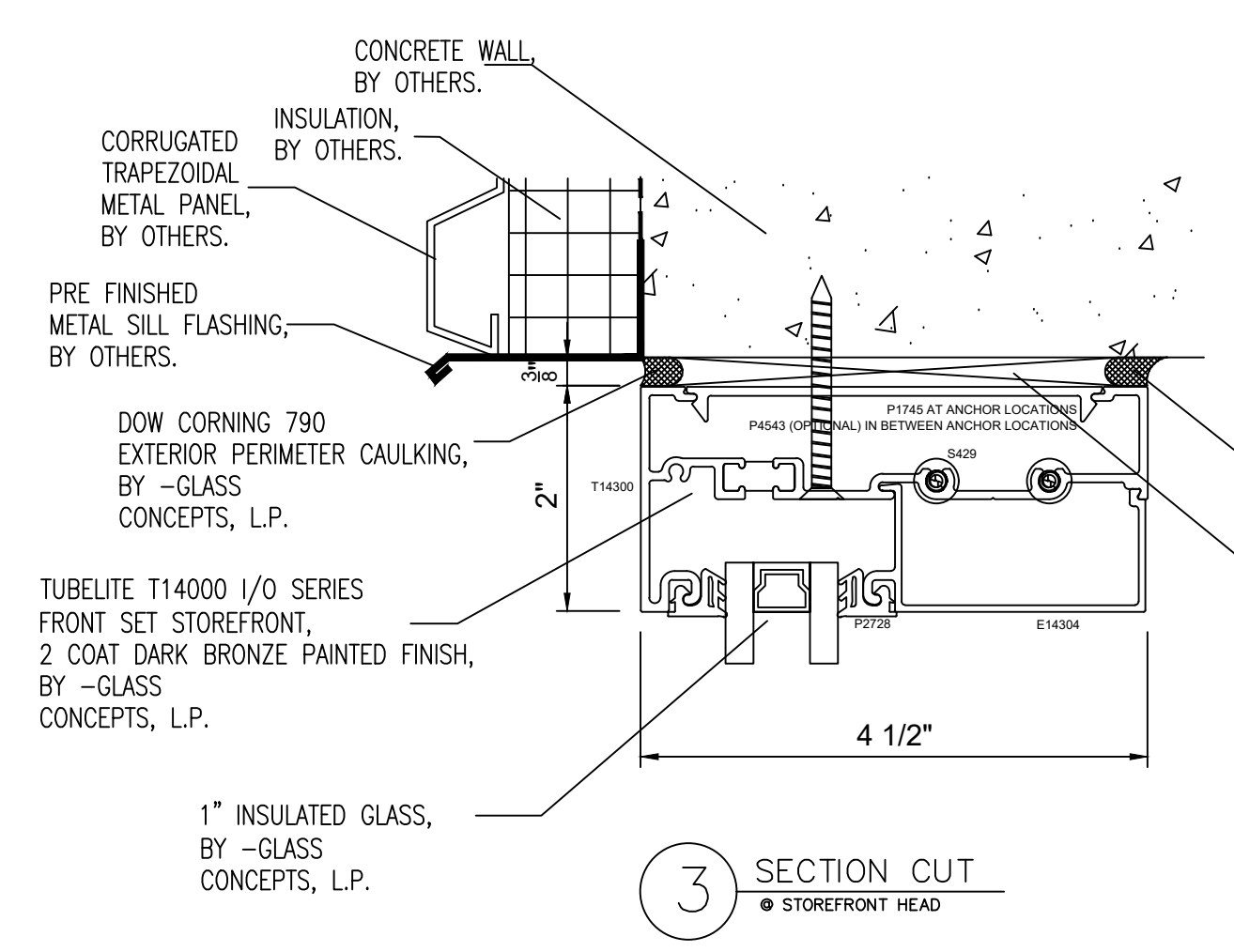
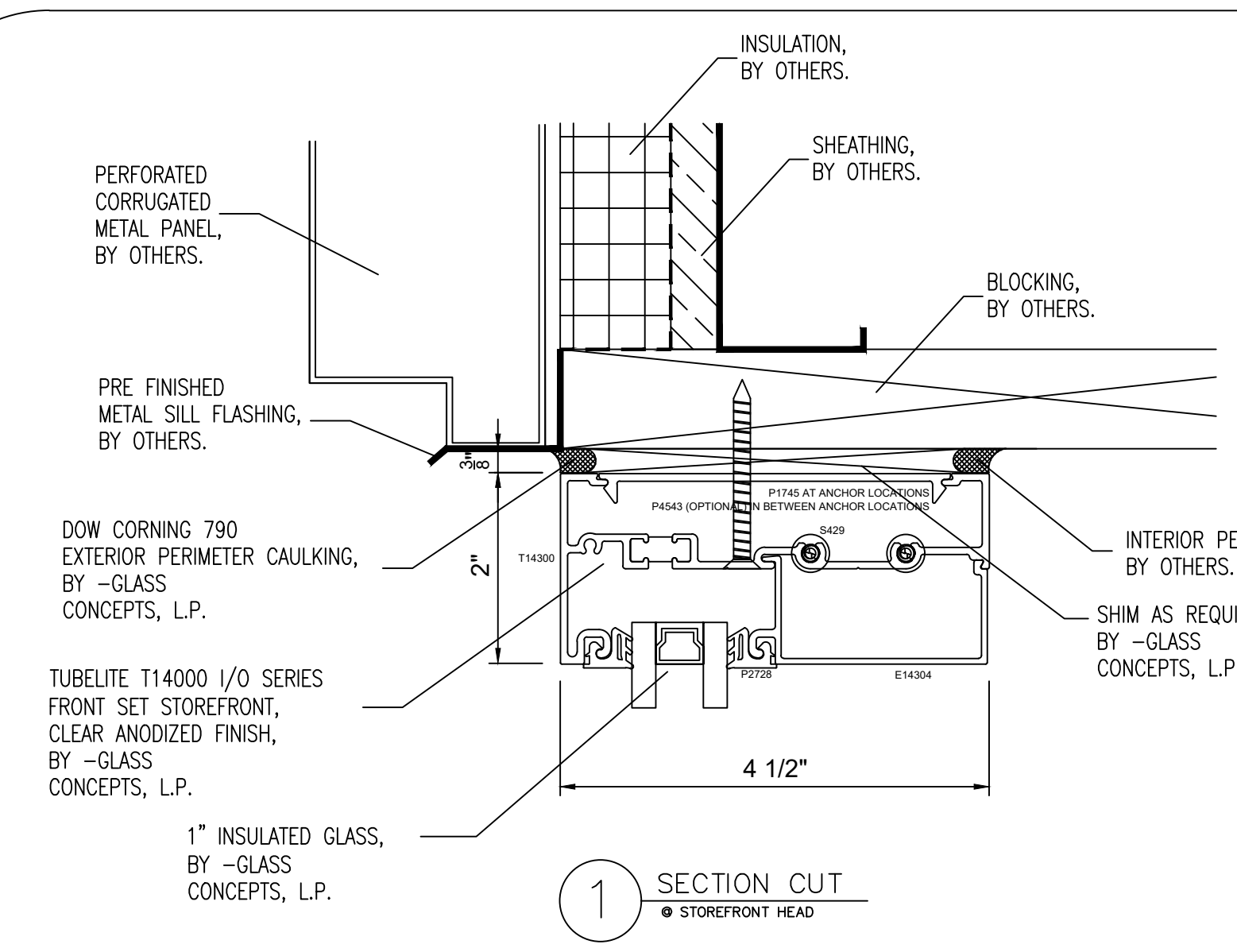
SHEET TITLE:
DETAILS

DRAWN BY:
 KS DRAFTING & DESIGN, LLC
 KYLE SCHNECK
 ASHBURN, VA 20147
 KYLE@KSDRAFTINGDESIGNLLC.COM
 703-999-7814
 KSDRAFTINGDESIGNLLC.COM

ARCHITECT:
 PSC

DRAWN BY: KYLE SCHNECK
 CHECKED BY: KYLE SCHNECK

DATE: 02/09/2017
 SHEET: **400**



NO.	REVISION/ISSUED	DATE
1	1ST SUBMITTAL	10/07/2016
2	REVISIONS	01/14/2017
3	PACKAGE #2	01/23/2017
4	REVISIONS	02/09/2017

PROJECT NAME & LOCATION:
AUDI LUBBOCK
 1919 W LOOP 289
 LUBBOCK, TEXAS

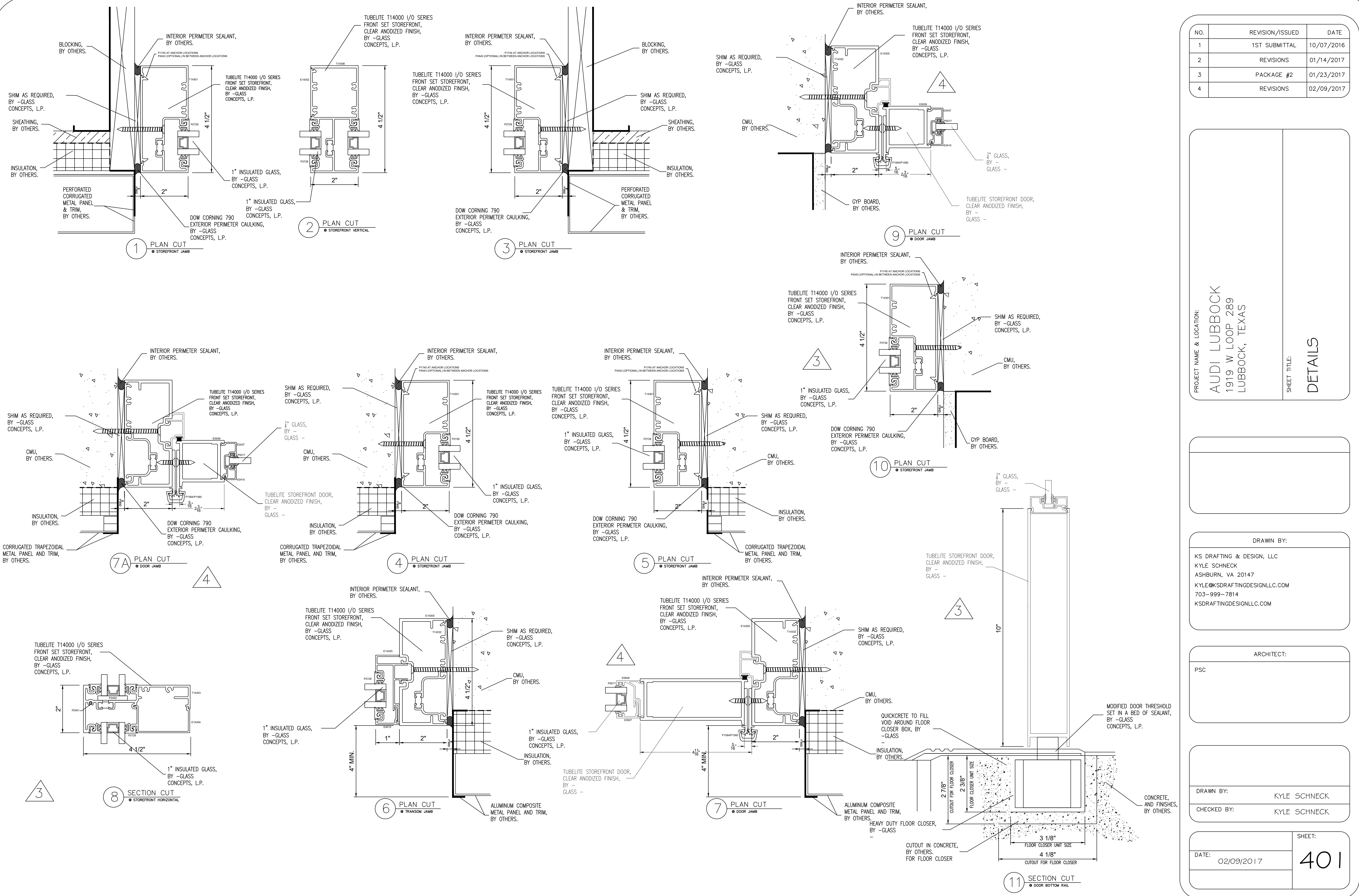
SHEET TITLE:
DETAILS

DRAWN BY:
 KS DRAFTING & DESIGN, LLC
 KYLE SCHNECK
 ASHBURN, VA 20147
 KYLE@KSDRAFTINGDESIGNLLC.COM
 703-999-7814
 KSDRAFTINGDESIGNLLC.COM

ARCHITECT:
 PSC

DRAWN BY: KYLE SCHNECK
 CHECKED BY: KYLE SCHNECK

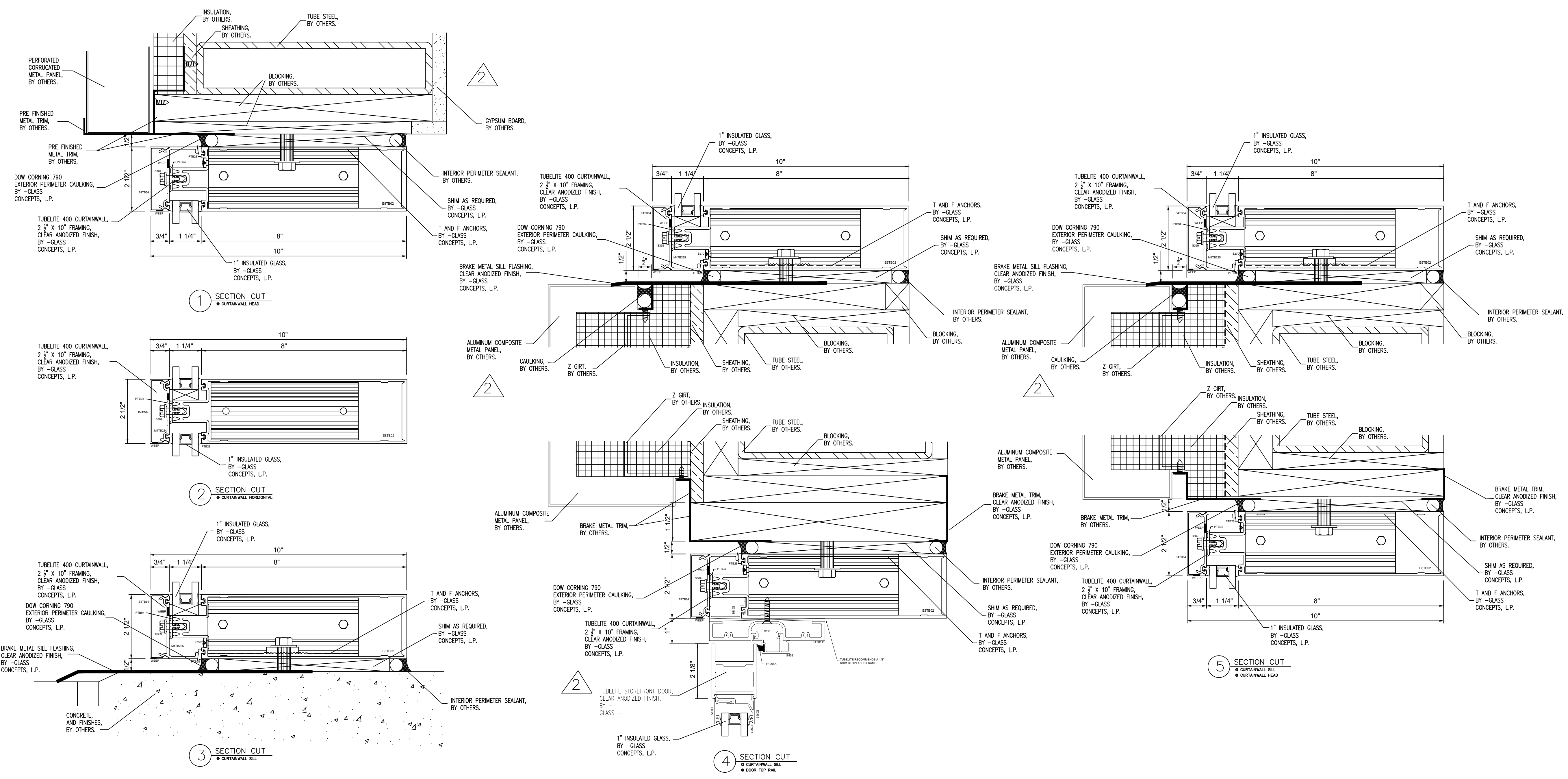
DATE: 02/09/2017
 SHEET: **401**



NO.	REVISION/ISSUED	DATE
1	1ST SUBMITTAL	10/07/2016
2	REVISIONS	01/14/2017

PROJECT NAME & LOCATION:
AUDI LUBBOCK
 1919 W LOOP 289
 LUBBOCK, TEXAS

SHEET TITLE:
DETAILS

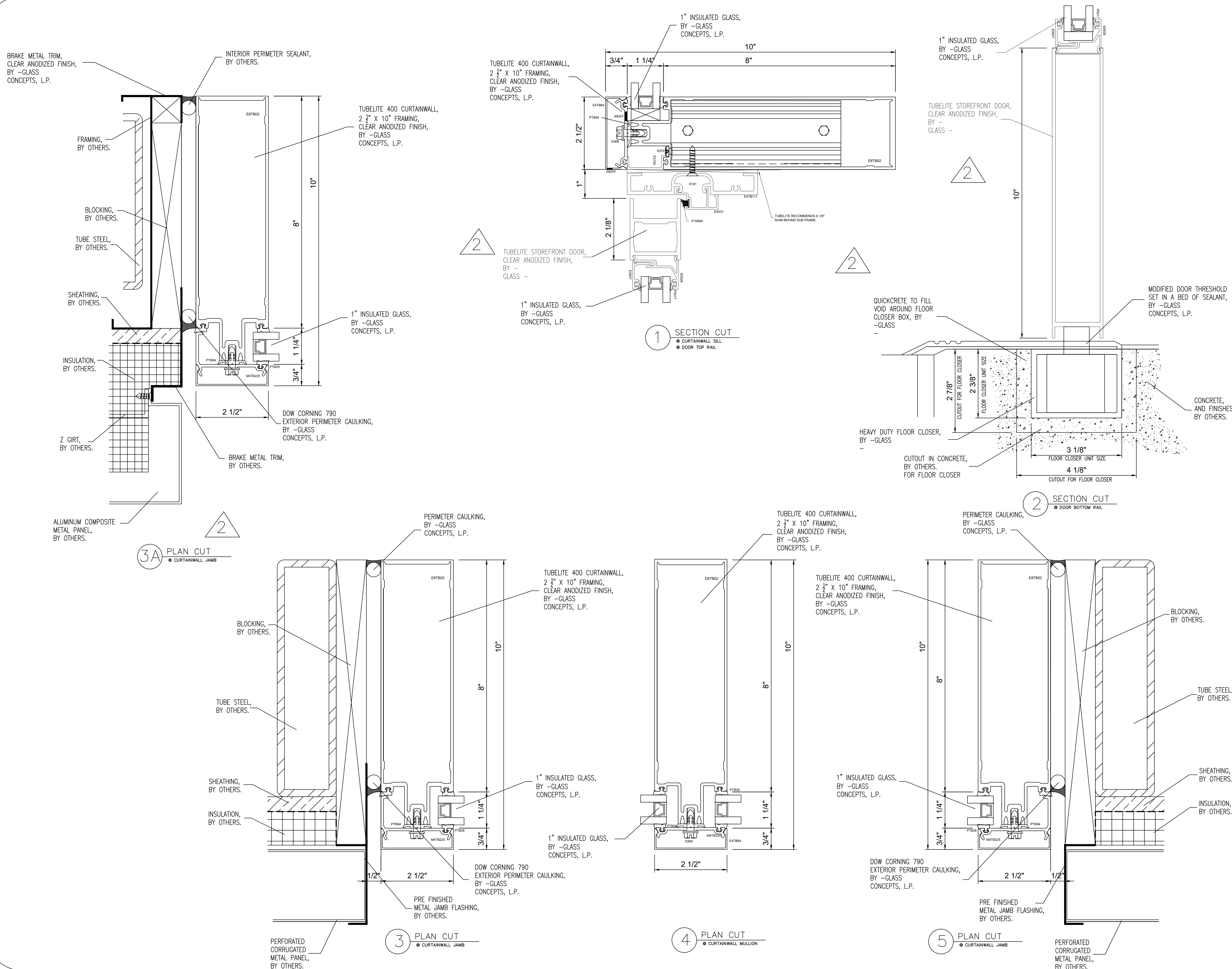


DRAWN BY:
 KS DRAFTING & DESIGN, LLC
 KYLE SCHNECK
 ASHBURN, VA 20147
 KYLE@KSDRAFTINGDESIGNLLC.COM
 703-999-7814
 KSDRAFTINGDESIGNLLC.COM

ARCHITECT:
 PSC

DRAWN BY: KYLE SCHNECK
 CHECKED BY: KYLE SCHNECK

DATE: 01/14/2017
 SHEET: 402



NO.	REVISION/ISSUED	DATE
1	1ST SUBMITTAL	10/07/2016
2	REVISIONS	01/14/2017

PROJECT NAME & LOCATION:
AUDI LUBBOCK
 1919 W LOOP 289
 LUBBOCK, TEXAS

SHEET TITLE:
DETAILS

DRAWN BY:
 KS DRAFTING & DESIGN, LLC
 KYLE SCHNECK
 ASHBURN, VA 20147
 KYLE@KSDRAFTINGDESIGNLLC.COM
 703-999-7814
 KSDRAFTINGDESIGNLLC.COM

ARCHITECT:
 PSC

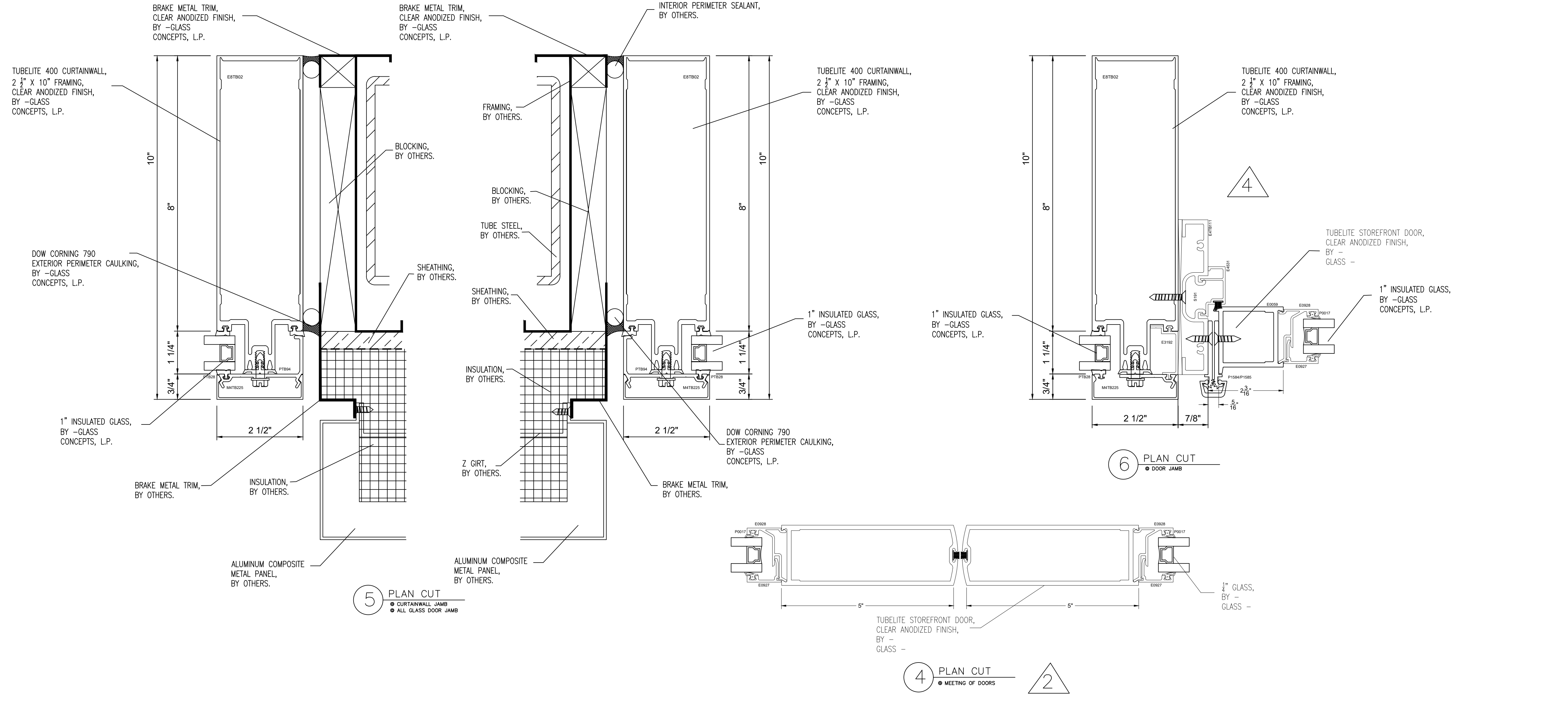
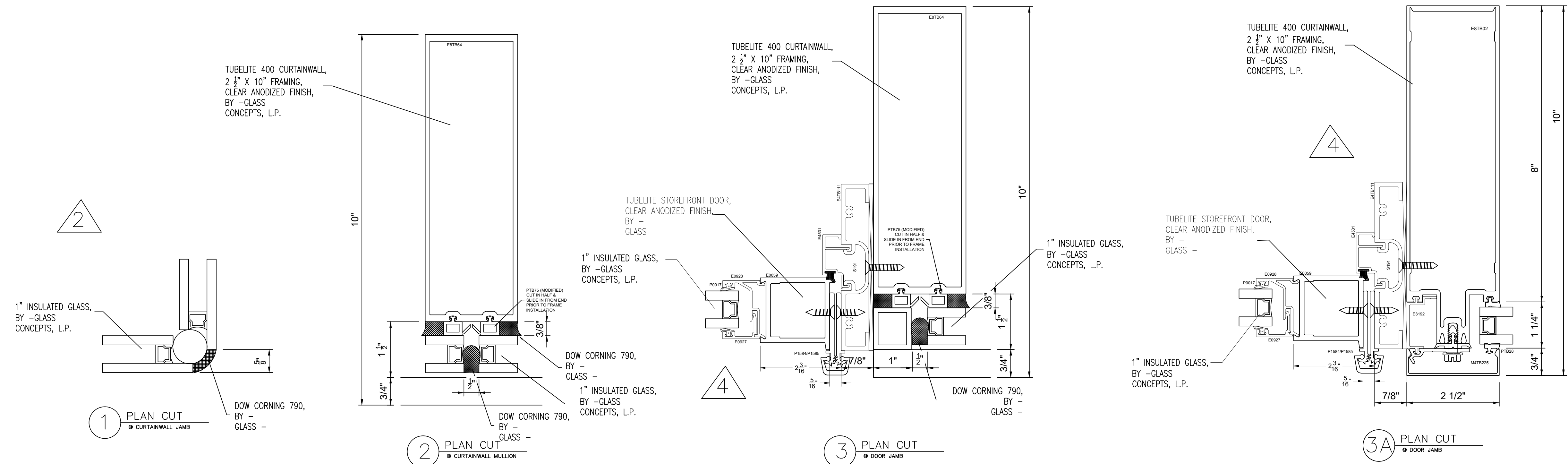
DRAWN BY: KYLE SCHNECK
 CHECKED BY: KYLE SCHNECK

DATE: 01/14/2017
 SHEET: **403**

NO.	REVISION/ISSUED	DATE
1	1ST SUBMITTAL	10/07/2016
2	REVISIONS	01/14/2017
4	REVISIONS	02/09/2017

PROJECT NAME & LOCATION:
AUDI LUBBOCK
 1919 W LOOP 289
 LUBBOCK, TEXAS

SHEET TITLE:
DETAILS

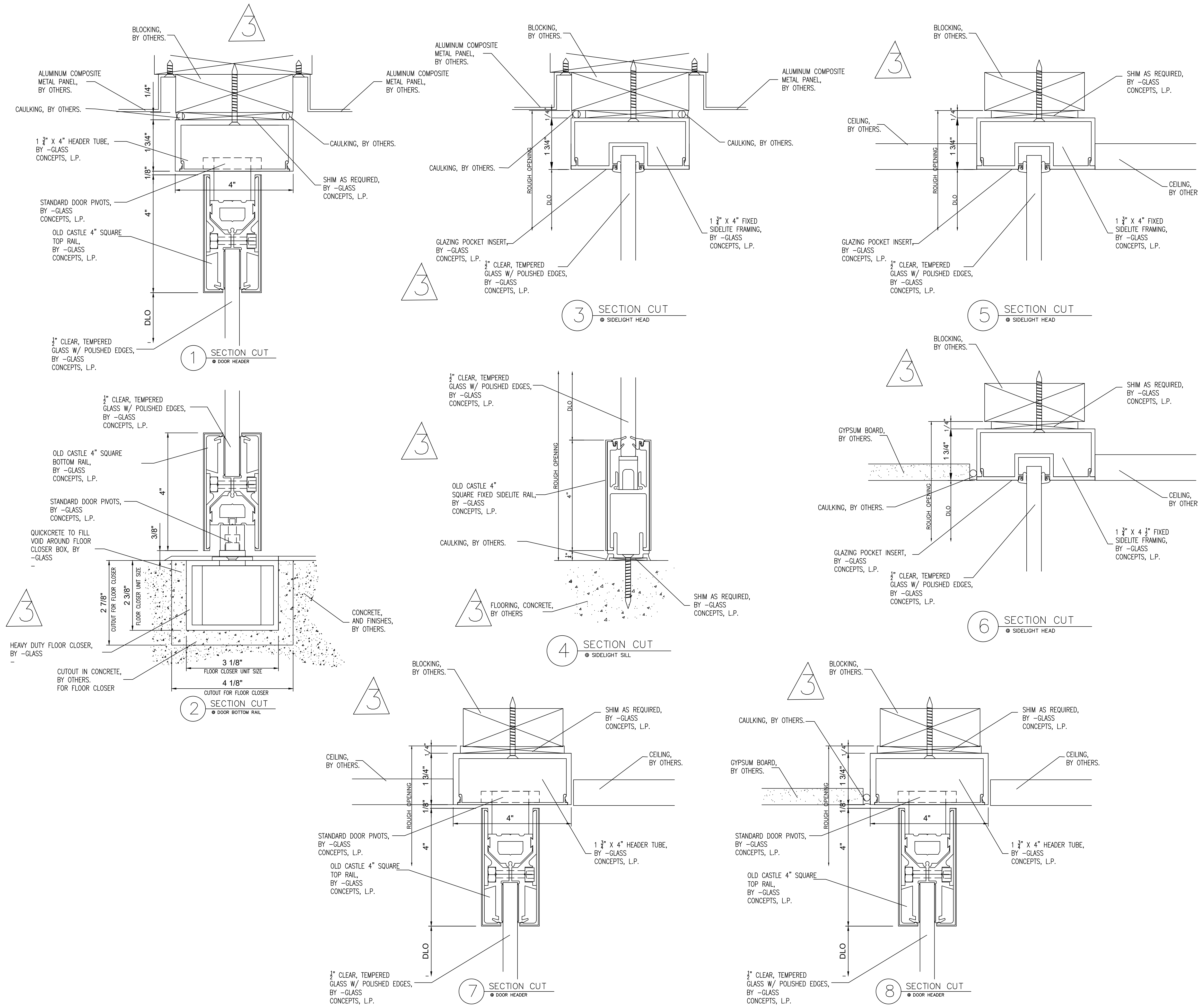


DRAWN BY:
 KS DRAFTING & DESIGN, LLC
 KYLE SCHNECK
 ASHBURN, VA 20147
 KYLE@KSDRAFTINGDESIGNLLC.COM
 703-999-7814
 KSDRAFTINGDESIGNLLC.COM

ARCHITECT:
 PSC

DRAWN BY: KYLE SCHNECK
 CHECKED BY: KYLE SCHNECK

DATE: 02/09/2017
 SHEET: 404



NO.	REVISION/ISSUED	DATE
1	1ST SUBMITTAL	10/07/2016
2	REVISIONS	01/14/2017
3	PACKAGE #2	01/23/2017

PROJECT NAME & LOCATION:
AUDI LUBBOCK
 1919 W LOOP 289
 LUBBOCK, TEXAS

SHEET TITLE:
DETAILS

DRAWN BY:
 KS DRAFTING & DESIGN, LLC
 KYLE SCHNECK
 ASHBURN, VA 20147
 KYLE@KSDRAFTINGDESIGNLLC.COM
 703-999-7814
 KSDRAFTINGDESIGNLLC.COM

ARCHITECT:
 PSC

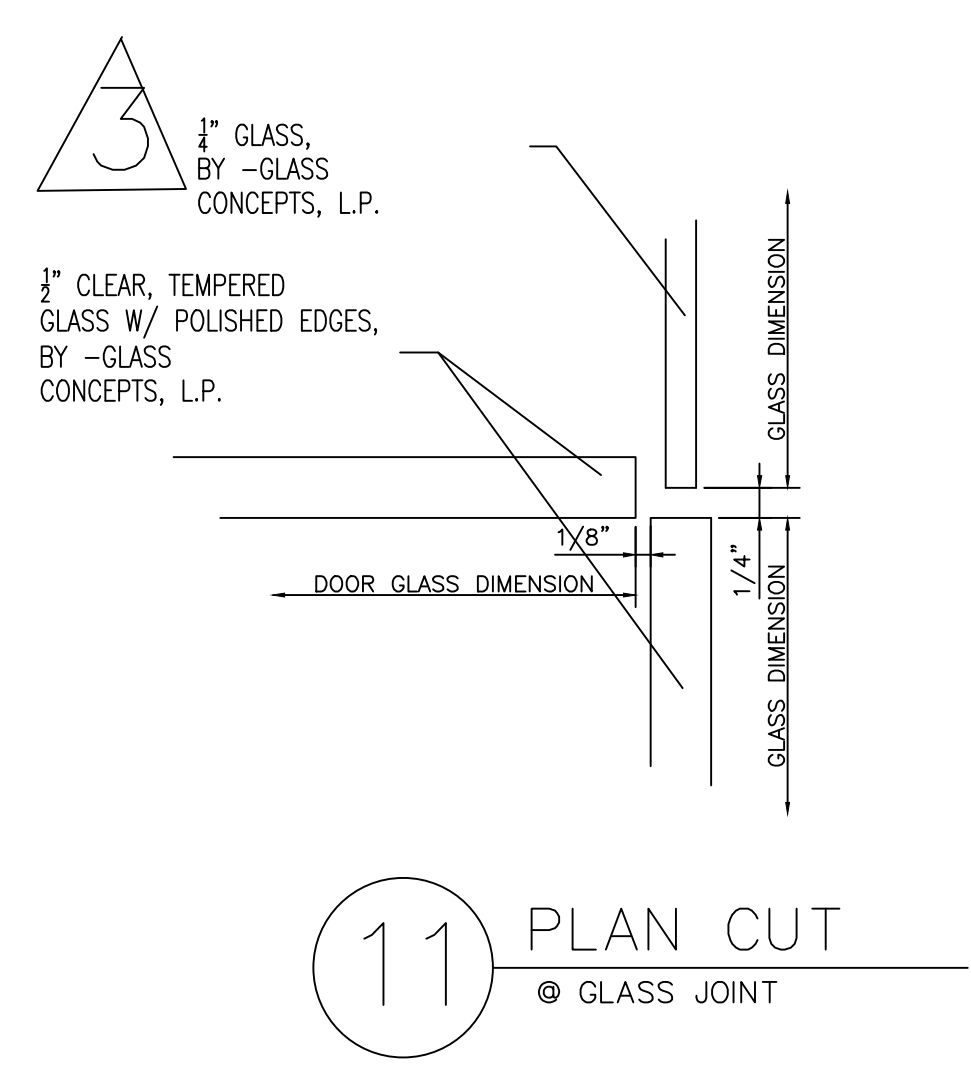
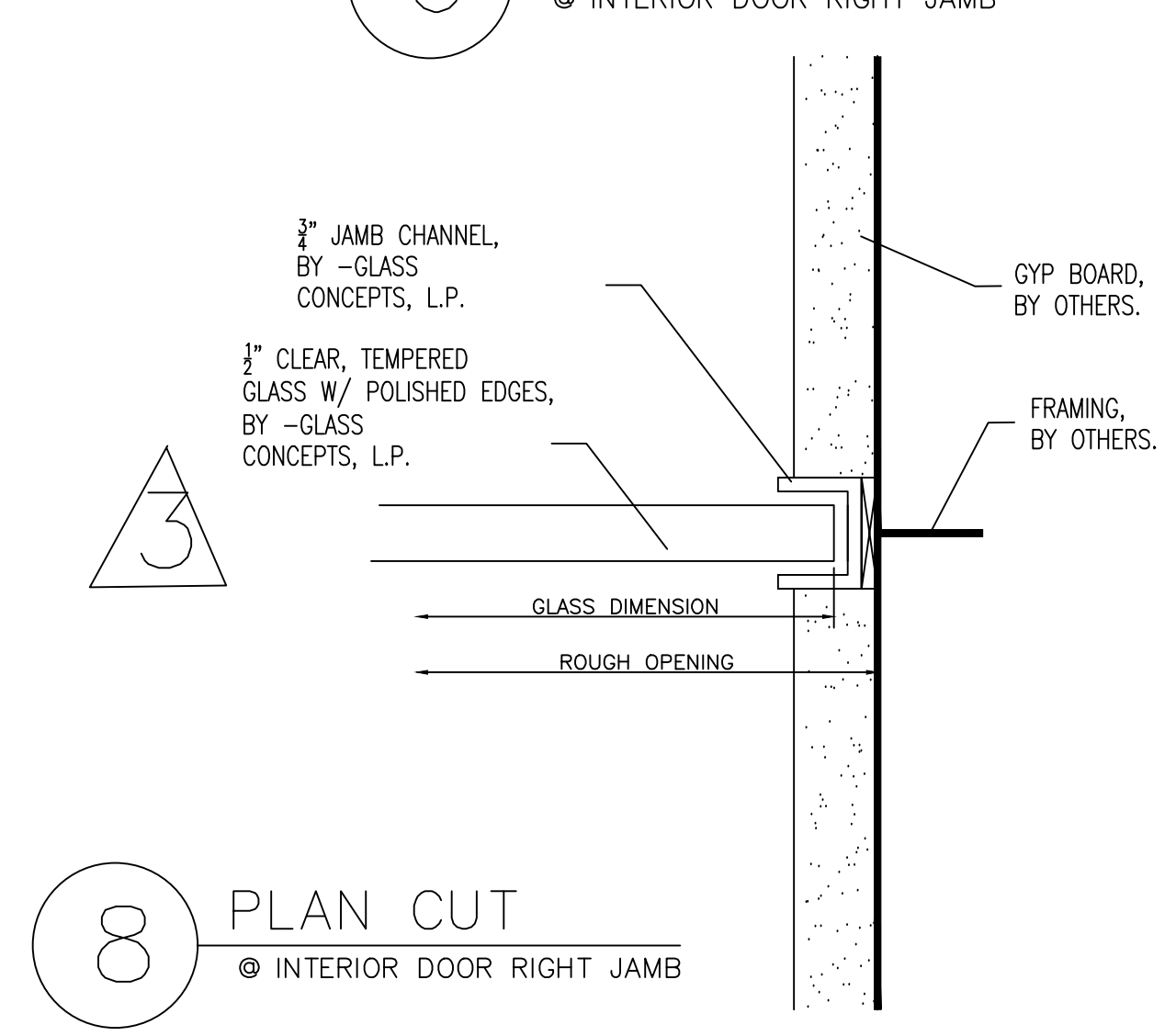
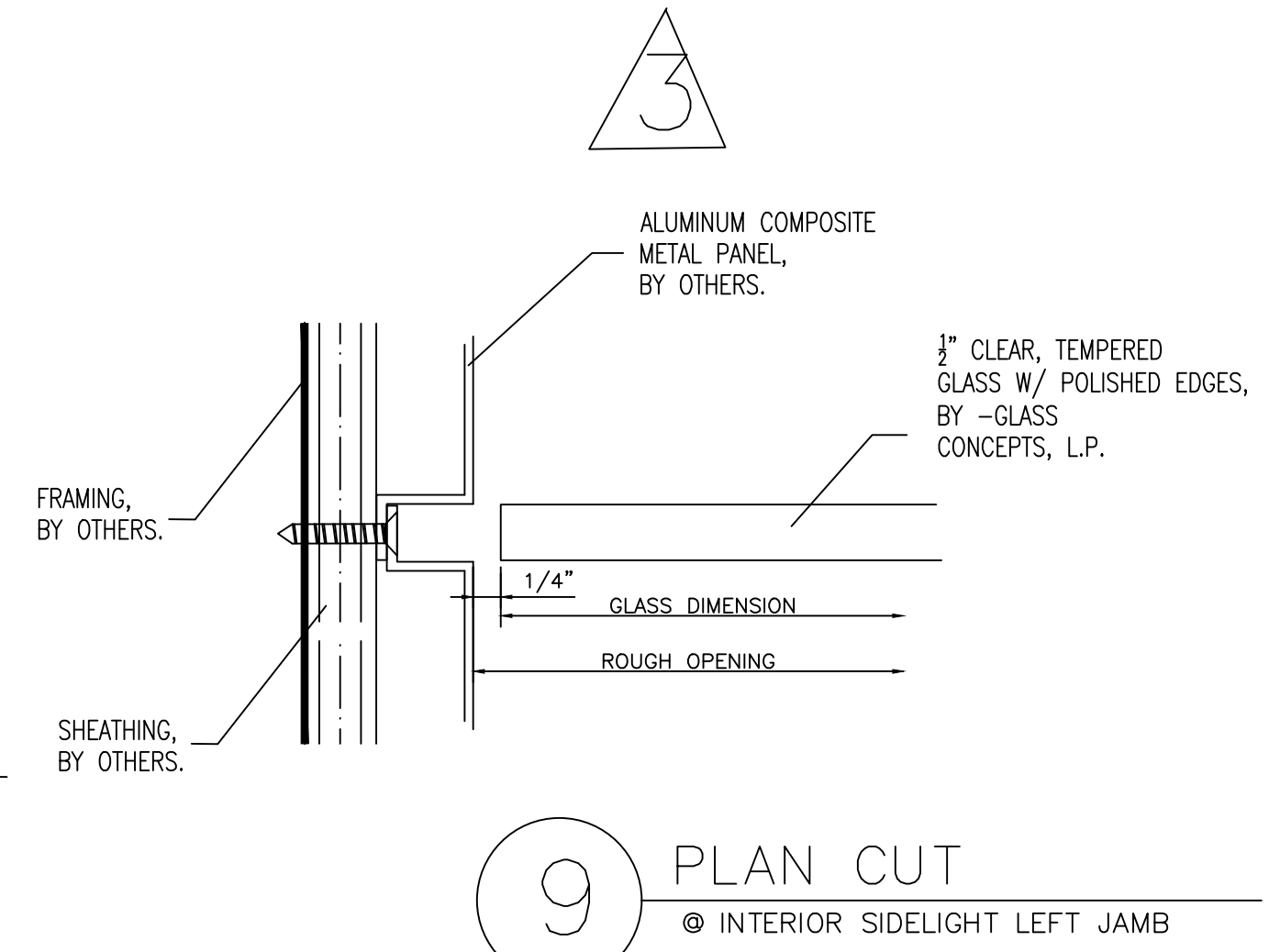
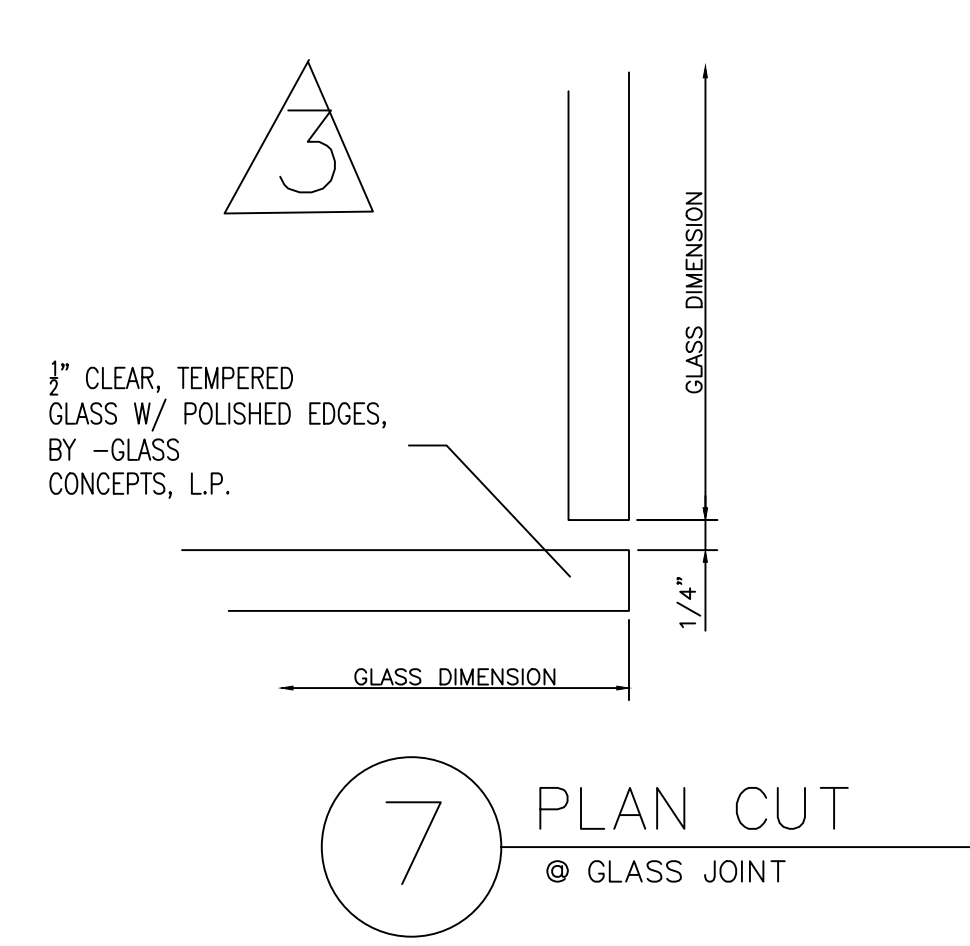
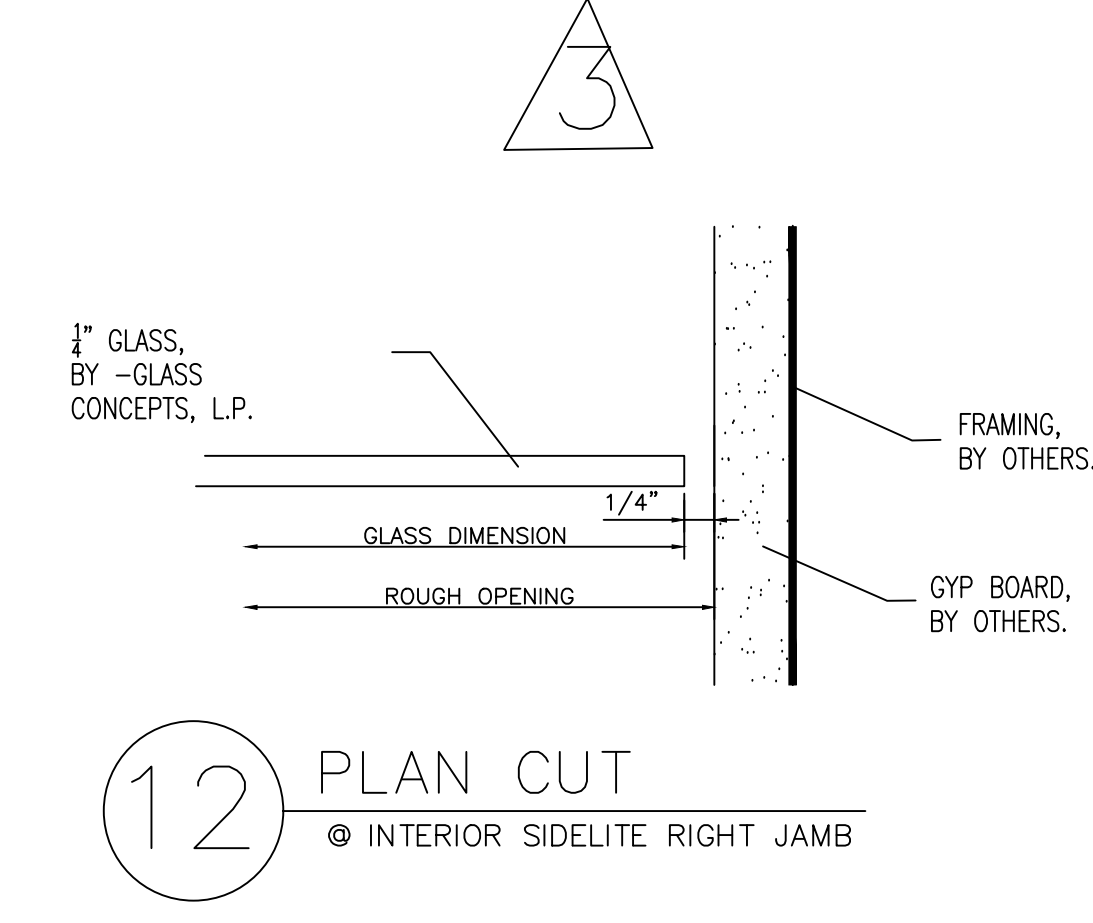
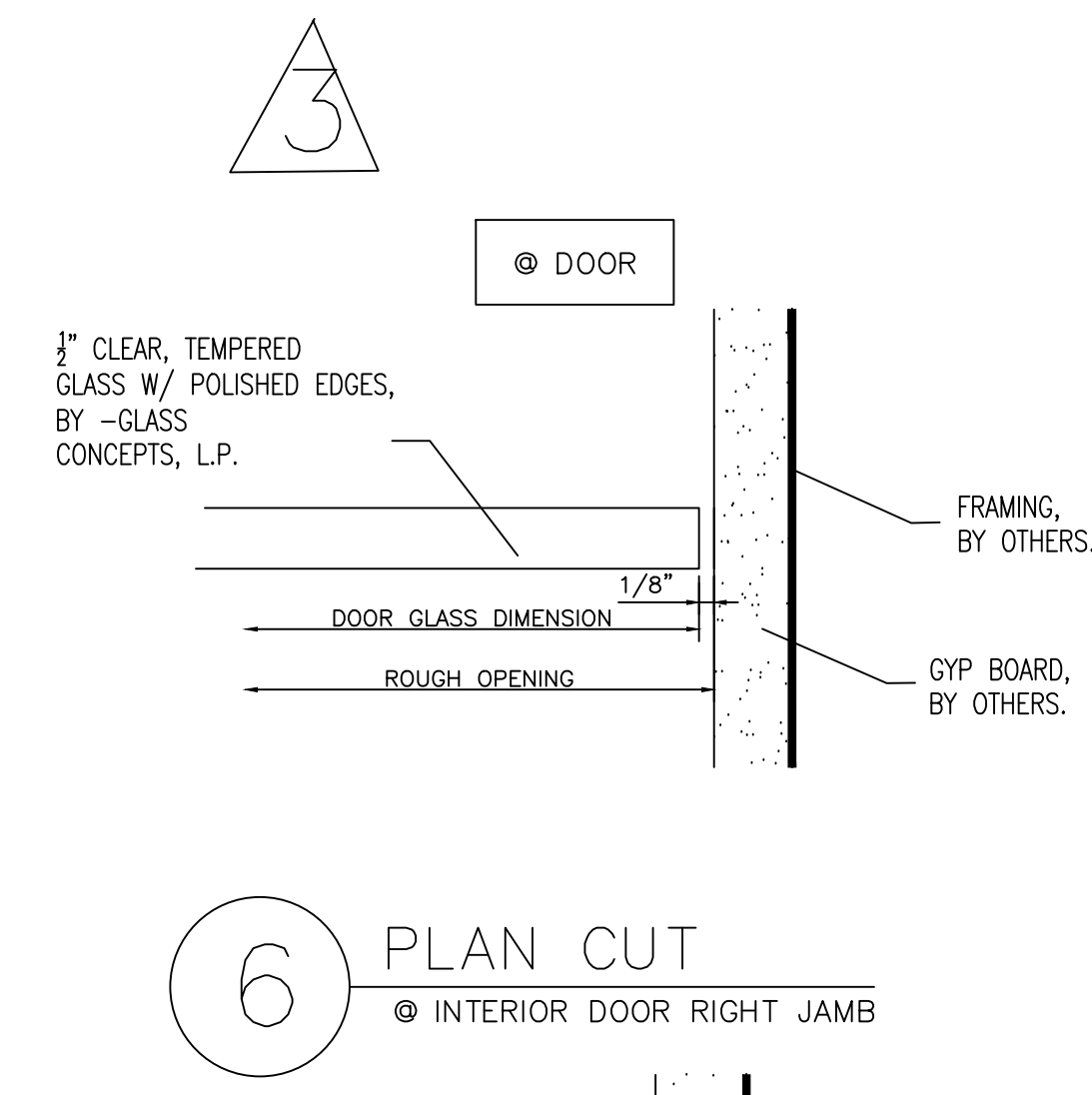
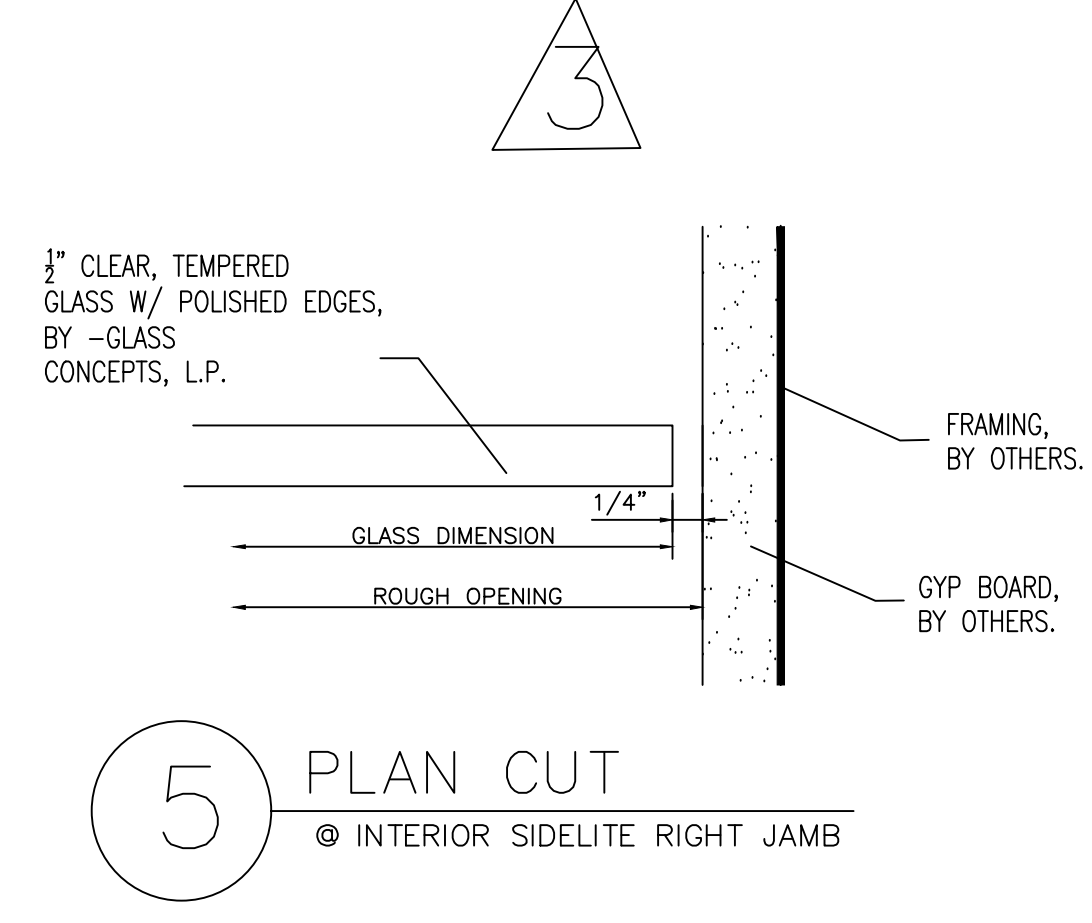
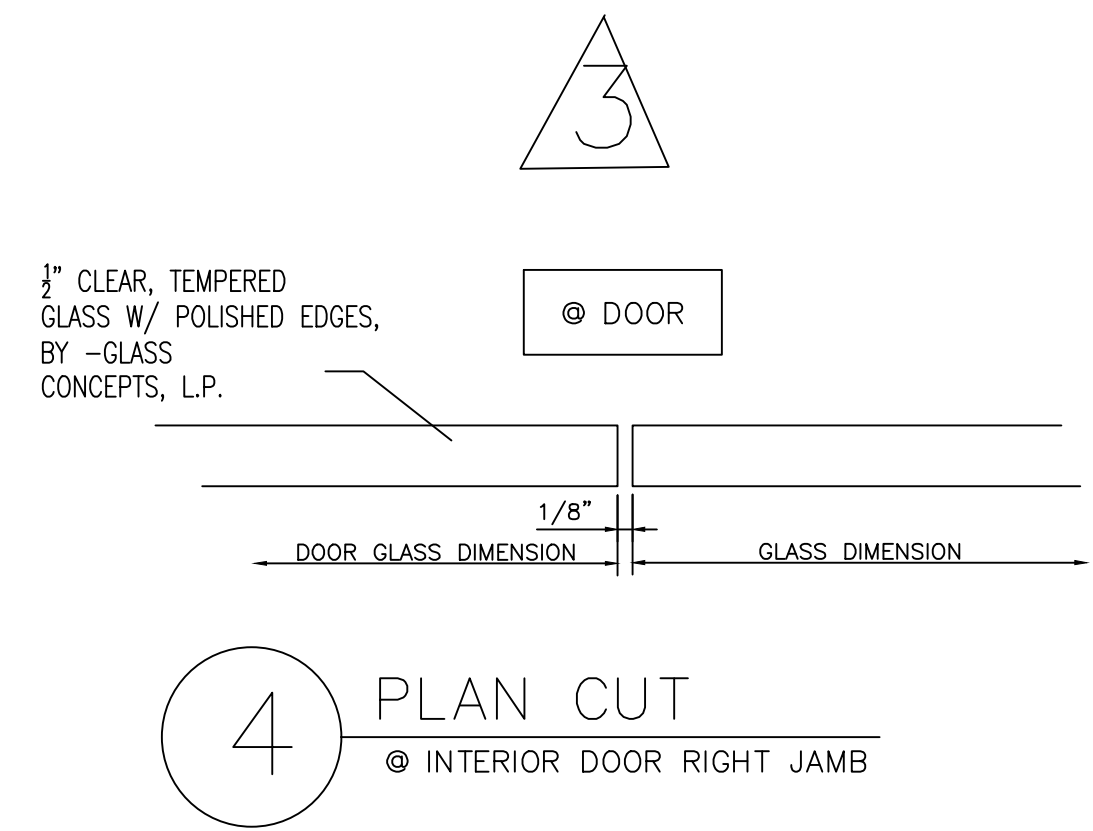
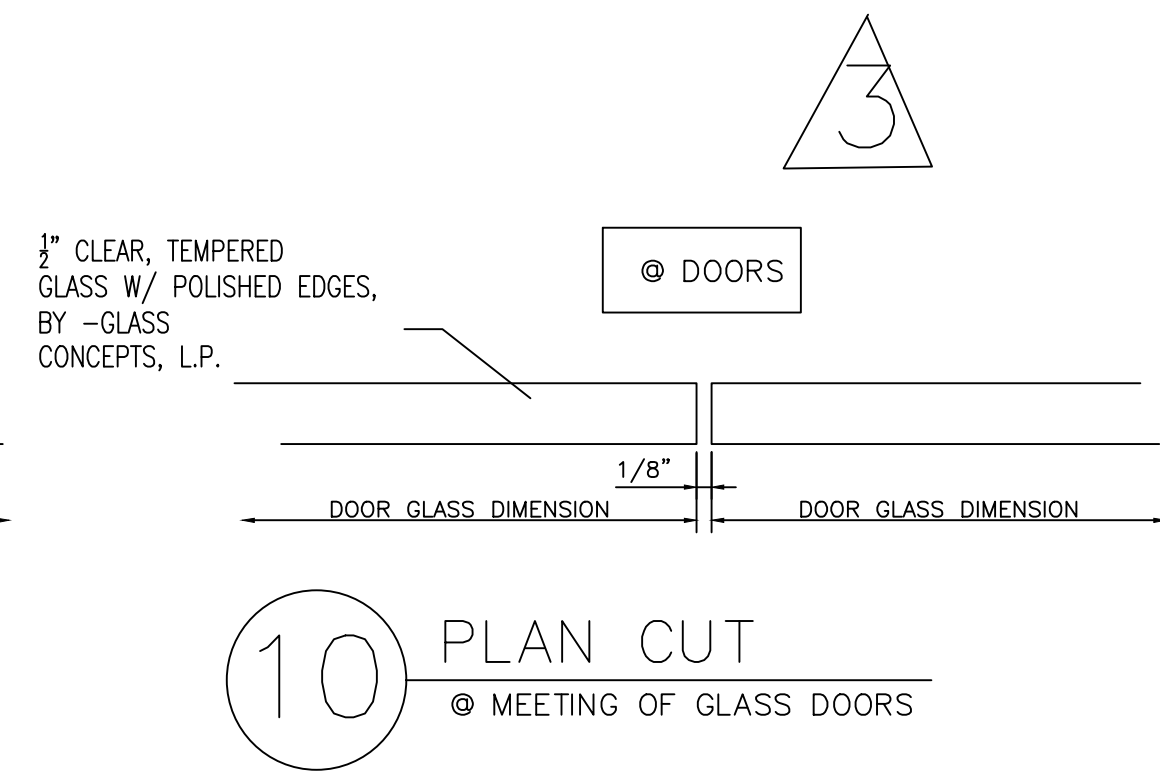
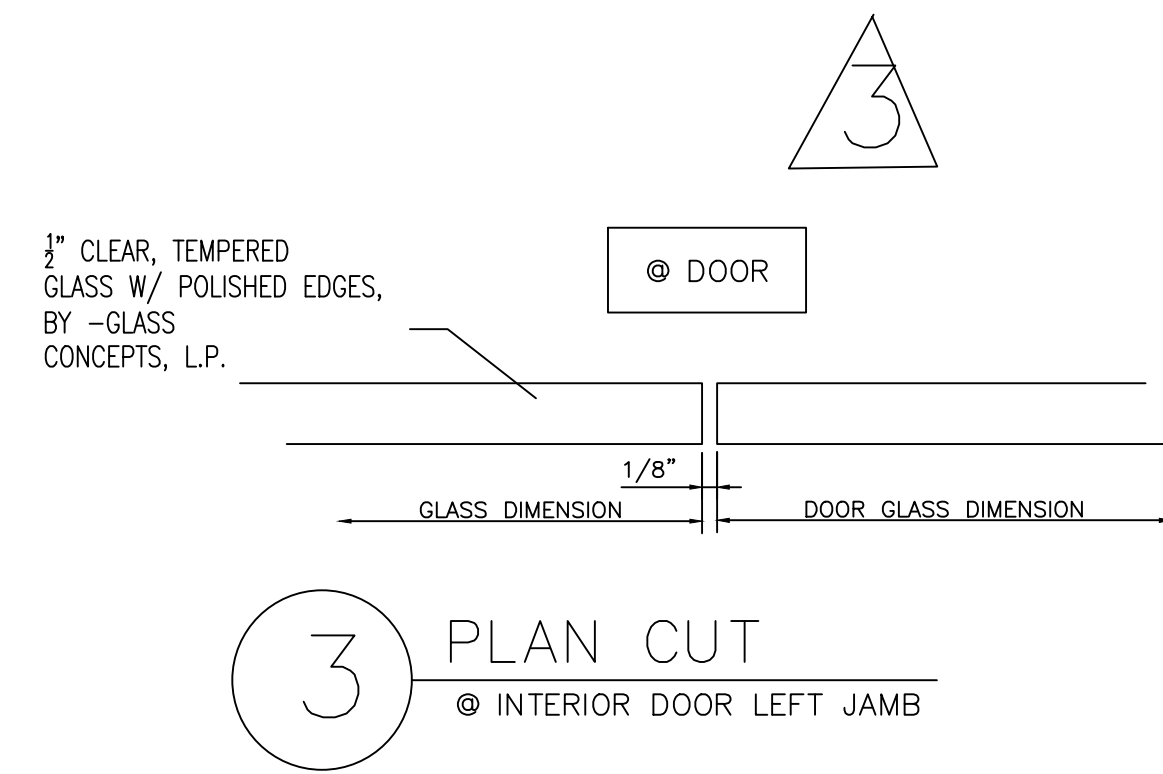
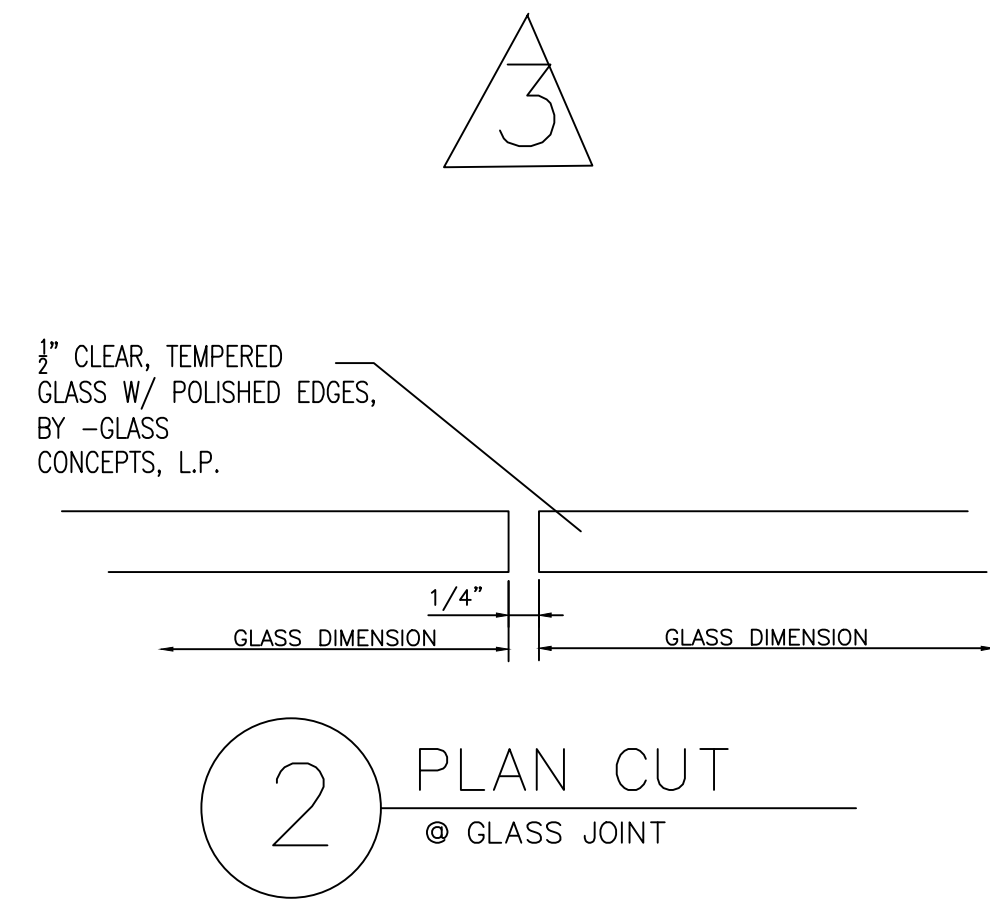
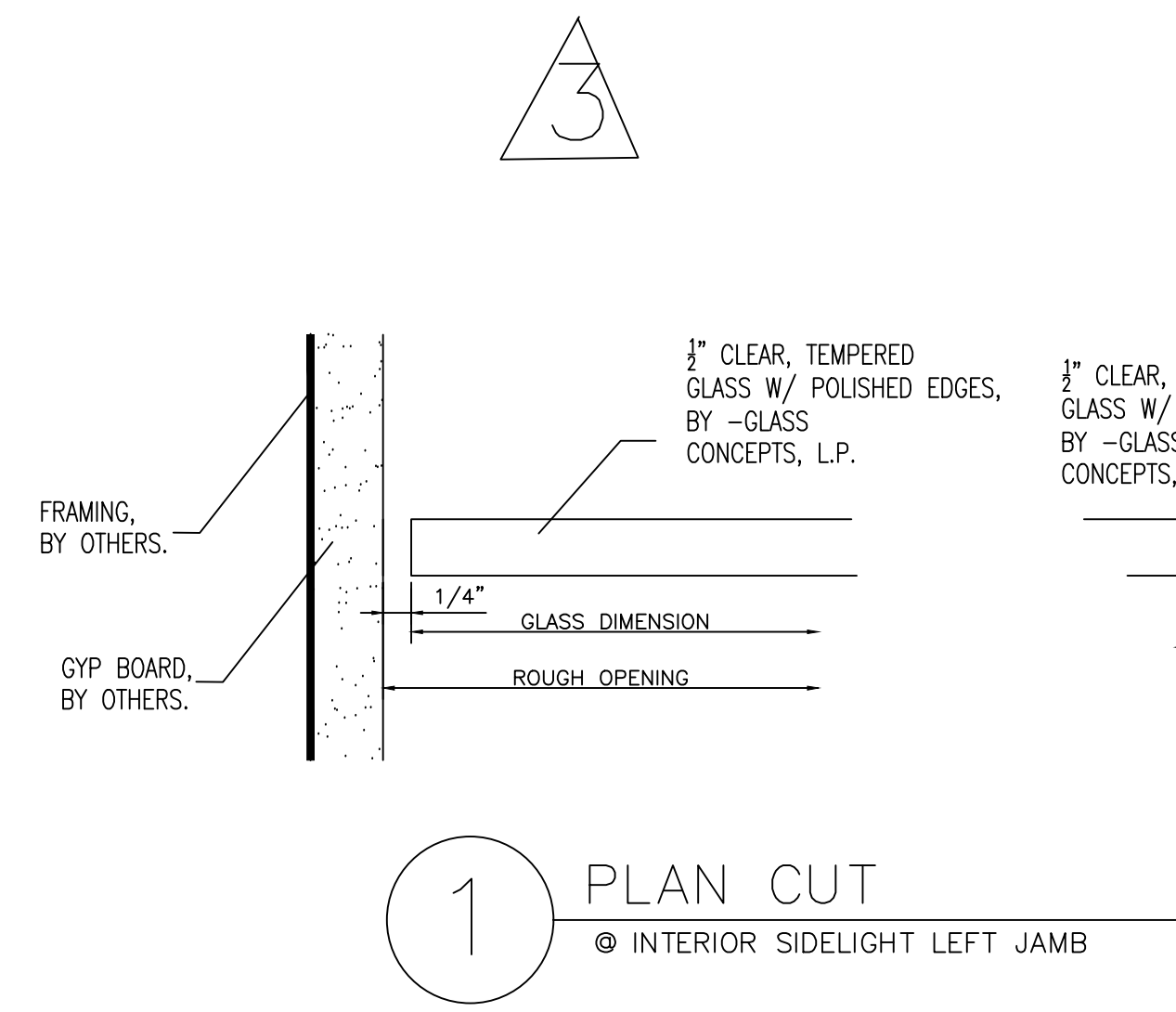
DRAWN BY: KYLE SCHNECK
 CHECKED BY: KYLE SCHNECK

DATE: 01/23/2017
 SHEET: **405**

NO.	REVISION/ISSUED	DATE
1	1ST SUBMITTAL	10/07/2016
2	REVISIONS	01/14/2017
3	PACKAGE #2	01/23/2017

PROJECT NAME & LOCATION:
AUDI LUBBOCK
 1919 W LOOP 289
 LUBBOCK, TEXAS

SHEET TITLE:
DETAILS



DRAWN BY:
 KS DRAFTING & DESIGN, LLC
 KYLE SCHNECK
 ASHBURN, VA 20147
 KYLE@KSDRAFTINGDESIGNLLC.COM
 703-999-7814
 KSDRAFTINGDESIGNLLC.COM

ARCHITECT:
 PSC

DRAWN BY: KYLE SCHNECK
 CHECKED BY: KYLE SCHNECK

DATE: 01/23/2017
 SHEET: 406